



US00D898180S

(12) **United States Design Patent**
Du

(10) **Patent No.:** **US D898,180 S**

(45) **Date of Patent:** **** Oct. 6, 2020**

- (54) **FAN**
- (71) Applicant: **Jiaxin Yang**, Shenzhen (CN)
- (72) Inventor: **Xiyun Du**, Shenzhen (CN)
- (73) Assignee: **Jiaxin Yang**, Shenzhen (CN)

(**) Term: **15 Years**

(21) Appl. No.: **29/734,333**

(22) Filed: **May 11, 2020**

(30) **Foreign Application Priority Data**

Nov. 15, 2019 (CN) 2019 3 0630238

(51) **LOC (12) Cl.** **23-04**

(52) **U.S. Cl.**
USPC **D23/382**

(58) **Field of Classification Search**
USPC D23/332, 335-337, 342, 355, 370, 377,
D23/378, 381, 382, 383, 411, 412, 413,
D23/414; D26/59

CPC F04D 25/088; F04D 29/388; F04D 29/34;
F04D 25/08; F04D 25/10; F04D 25/105;
F04D 25/06; F04D 25/0673; F21V
33/0096

See application file for complete search history.

(56) **References Cited**

U.S. PATENT DOCUMENTS

- D295,070 S * 4/1988 Shin-Chin D23/382
- 4,799,858 A * 1/1989 Shin-Chin F04D 29/646
248/231.51
- 5,547,343 A * 8/1996 Jane F04D 29/601
248/231.51
- 5,725,356 A * 3/1998 Carter F04D 25/08
416/240
- D416,321 S * 11/1999 Jane D23/381

- D441,444 S * 5/2001 Shapiro D23/382
- D669,976 S * 10/2012 Hsu D23/382
- D670,371 S * 11/2012 Hsu D23/411
- D675,312 S * 1/2013 Zhu D23/411
- D770,033 S * 10/2016 Ksiazek D23/411
- D799,022 S * 10/2017 Ksiazek D23/411
- D818,109 S * 5/2018 Junkel D23/382
- D837,963 S * 1/2019 Xu D23/382
- D841,796 S * 2/2019 Freeland D23/382
- D855,171 S * 7/2019 Xu D23/382
- 10,436,206 B2 * 10/2019 Freeland F04D 29/644
- D865,937 S * 11/2019 Lin D23/382
- D879,283 S * 3/2020 Liao D23/382
- D881,371 S * 4/2020 Hollinger D23/382
- D884,868 S * 5/2020 Chen D23/382
- D885,555 S * 5/2020 Wang D23/382
- D886,276 S * 6/2020 Zhu D23/382

(Continued)

Primary Examiner — Janice Hallmark

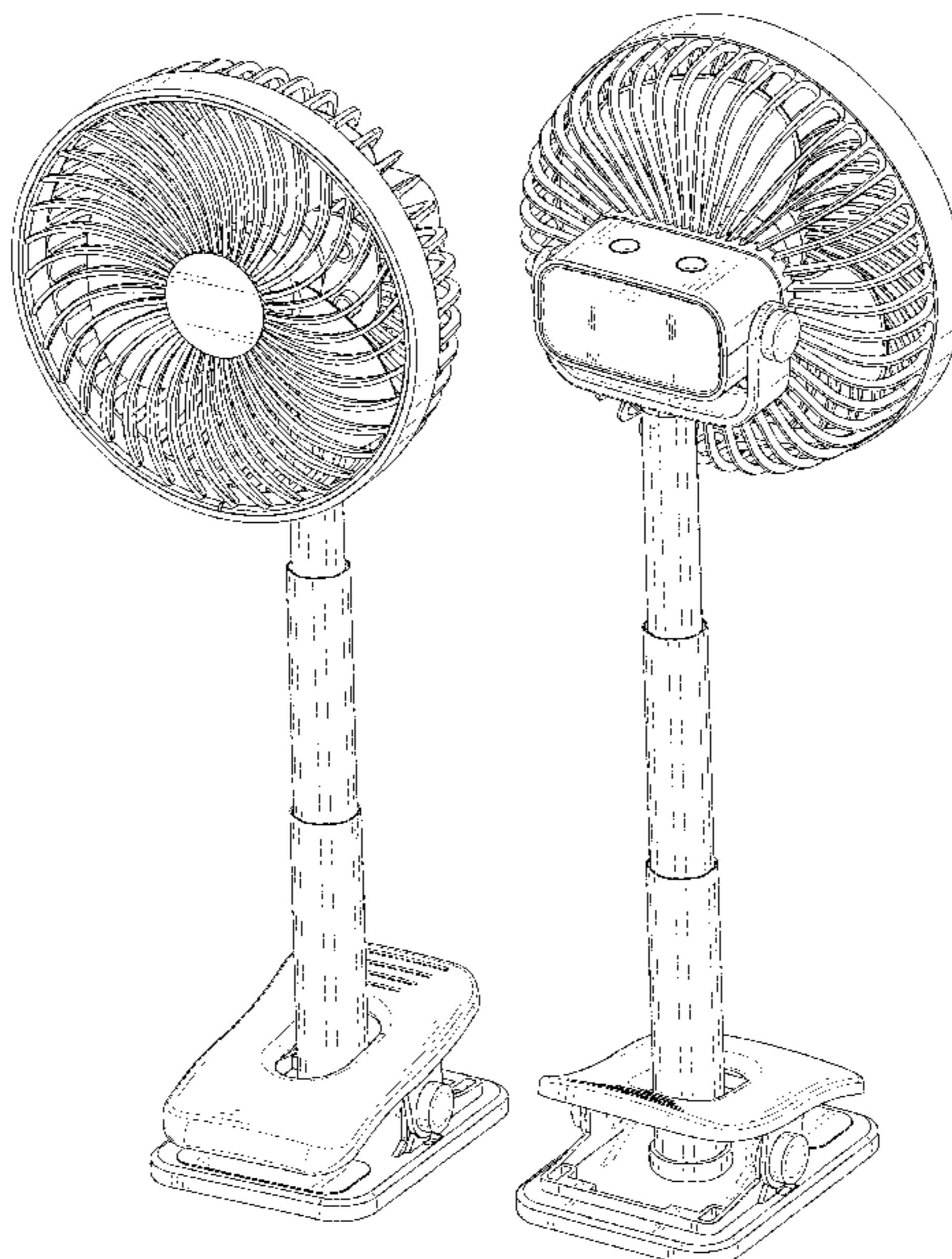
(57) **CLAIM**

The ornamental design for a fan, as shown and described.

DESCRIPTION

FIG. 1 is a top, front, and right side perspective view of a fan showing my new design;
 FIG. 2 is a top, rear, and left side perspective view thereof;
 FIG. 3 is a bottom, rear, and left side perspective view thereof;
 FIG. 4 is a front elevational view thereof;
 FIG. 5 is a rear elevational view thereof;
 FIG. 6 is a left side elevational view thereof;
 FIG. 7 is a right side elevational view thereof;
 FIG. 8 is a top plan view thereof;
 FIG. 9 is a bottom plan view thereof; and,
 FIG. 10 is a top, front, and right side perspective view of the fan where the fan is in a configuration of use.
 The broken lines in the drawings depict portions of the fan that form no part of the claimed design.

1 Claim, 10 Drawing Sheets



(56)

References Cited

U.S. PATENT DOCUMENTS

2019/0134247 A1 5/2019 Oligie
2020/0011338 A1* 1/2020 Lin F04D 25/0673

* cited by examiner

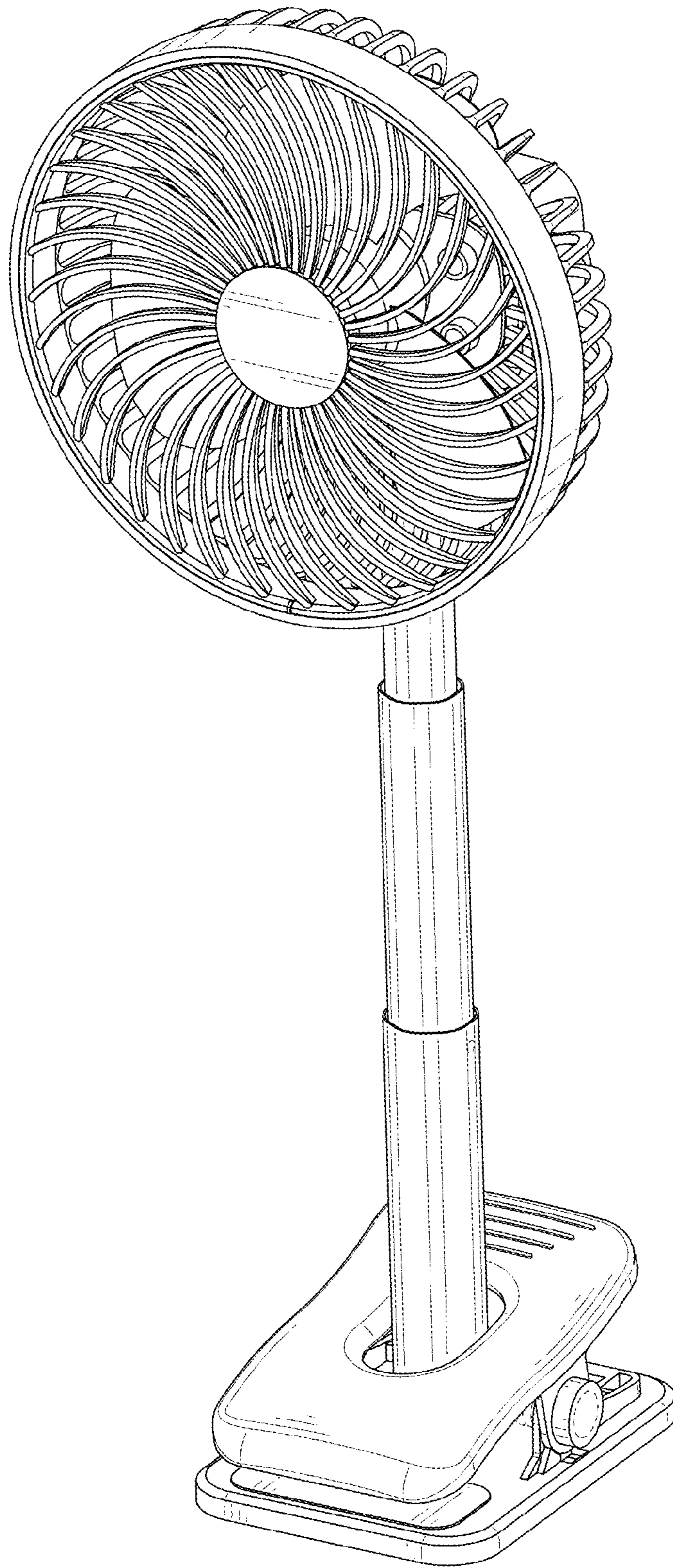


FIG. 1

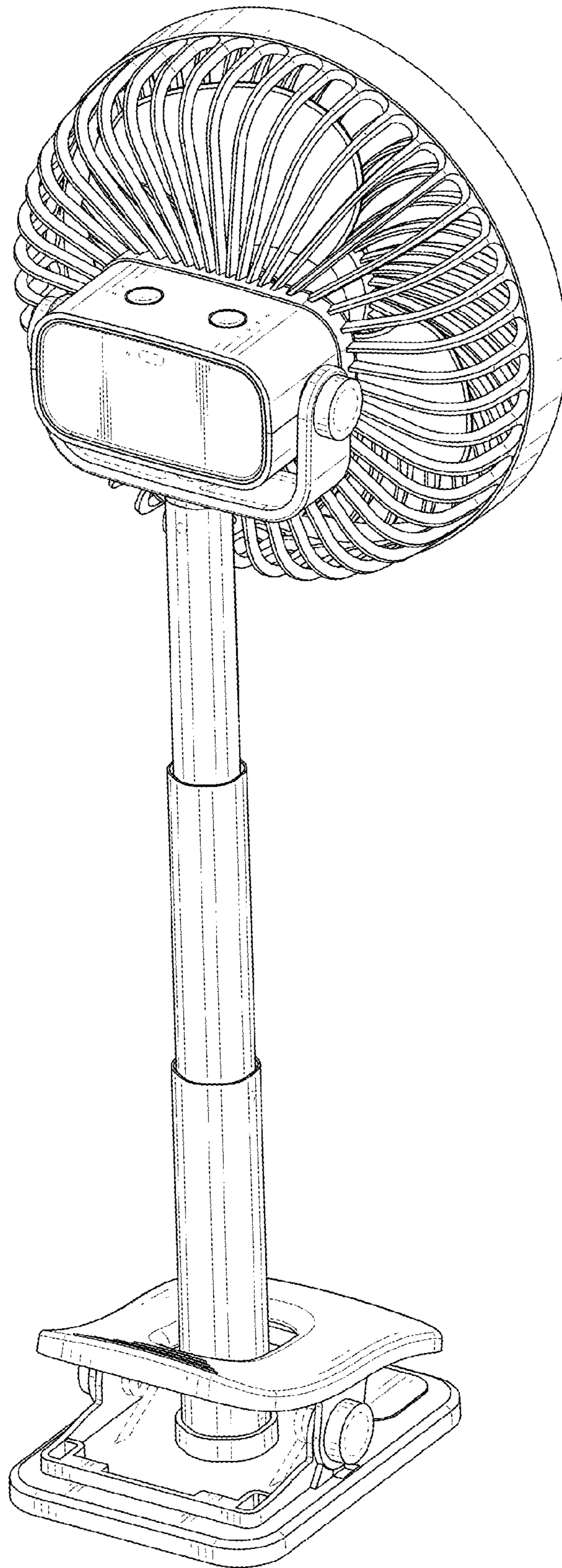


FIG. 2

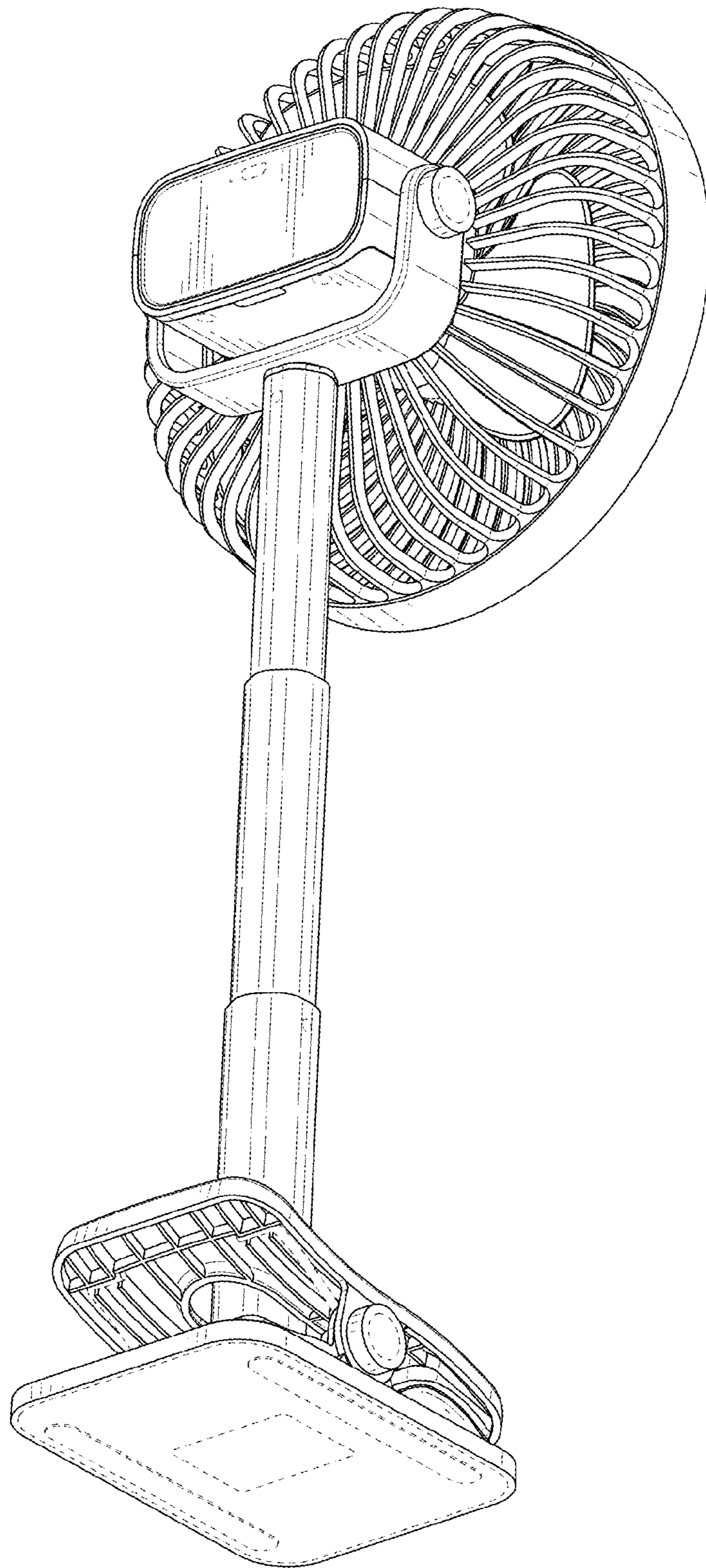


FIG. 3

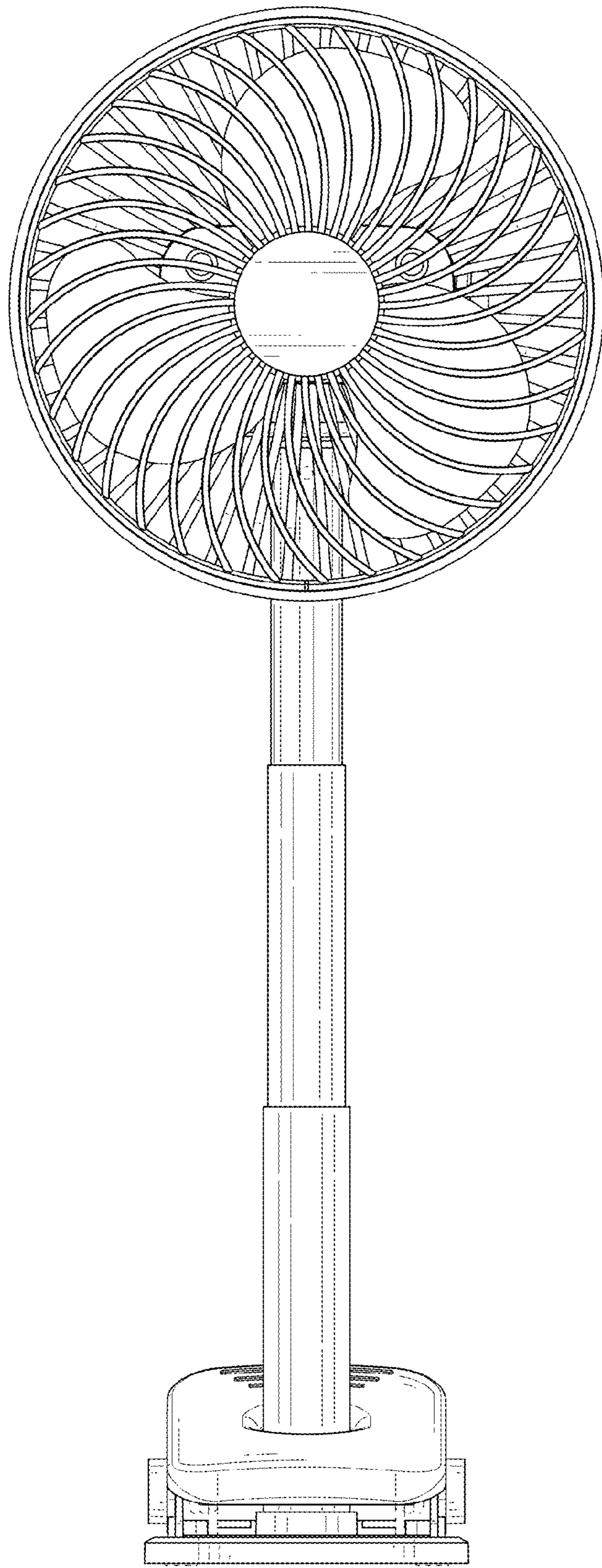


FIG. 4

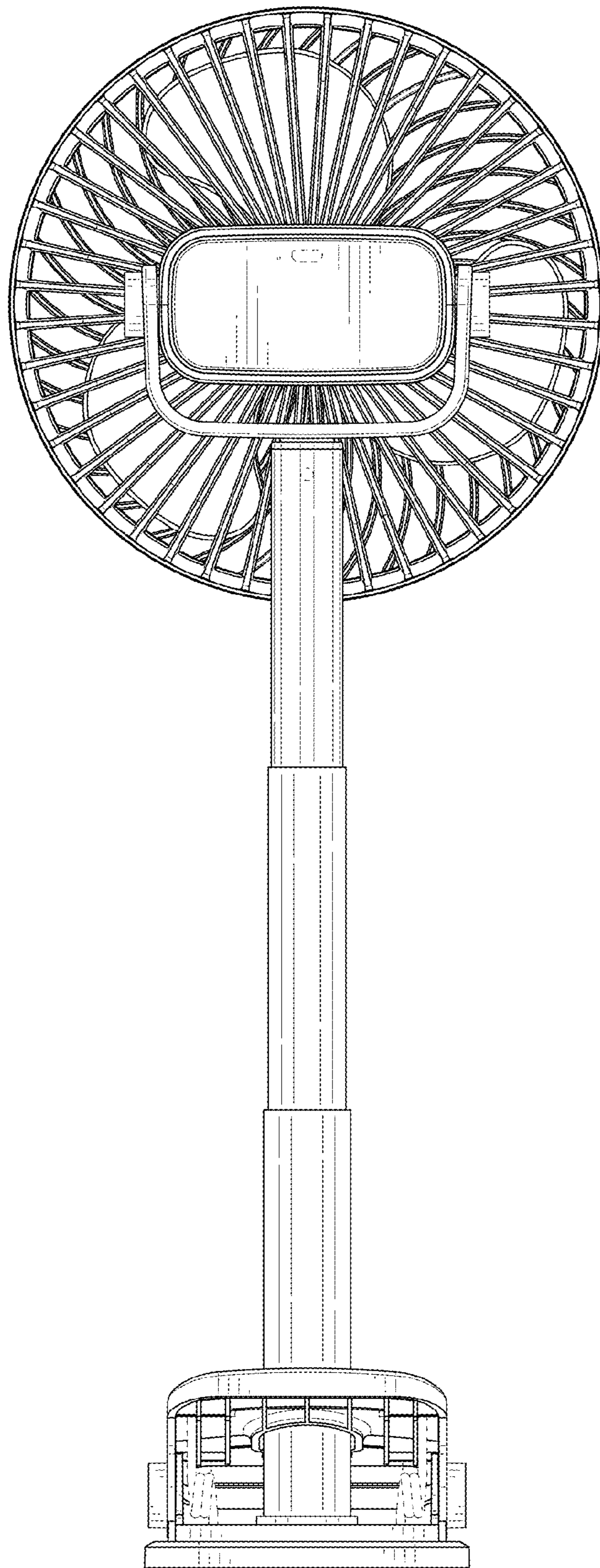


FIG. 5

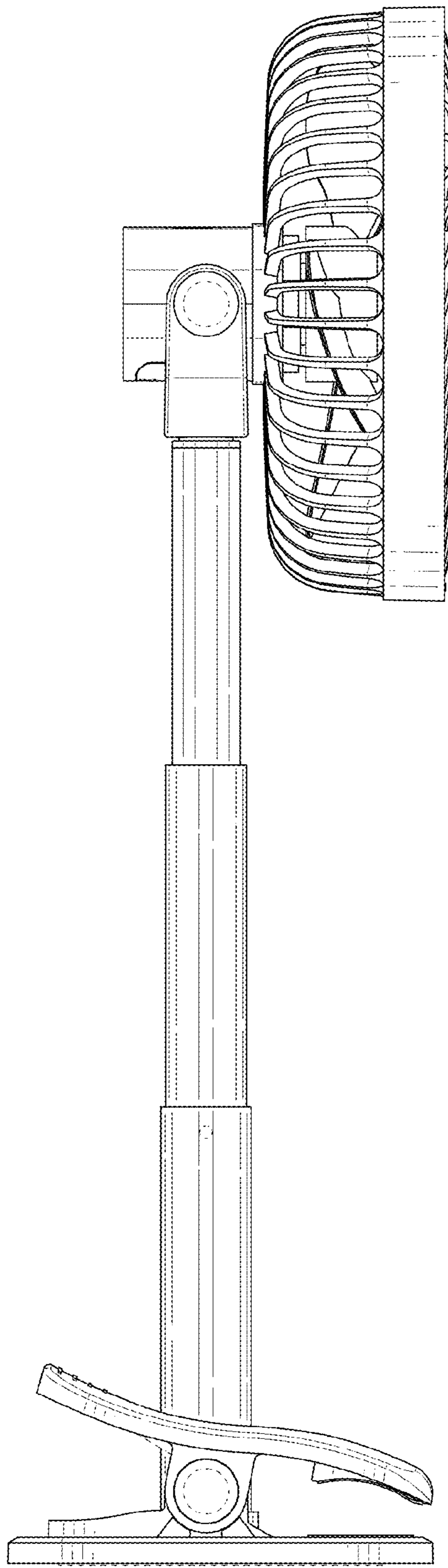


FIG. 6

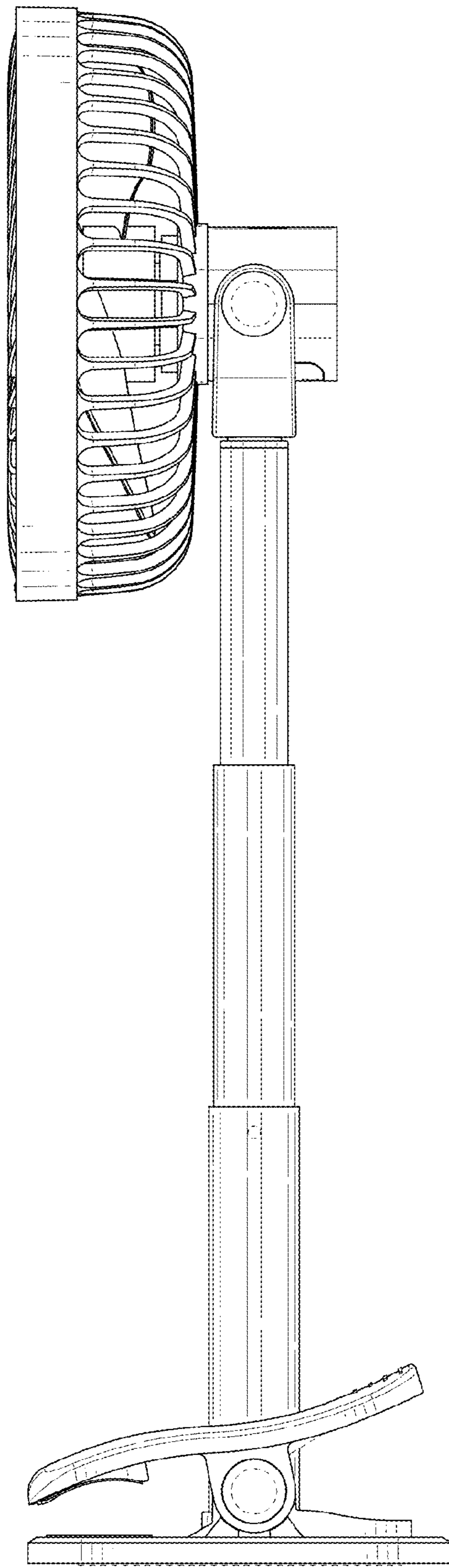


FIG. 7

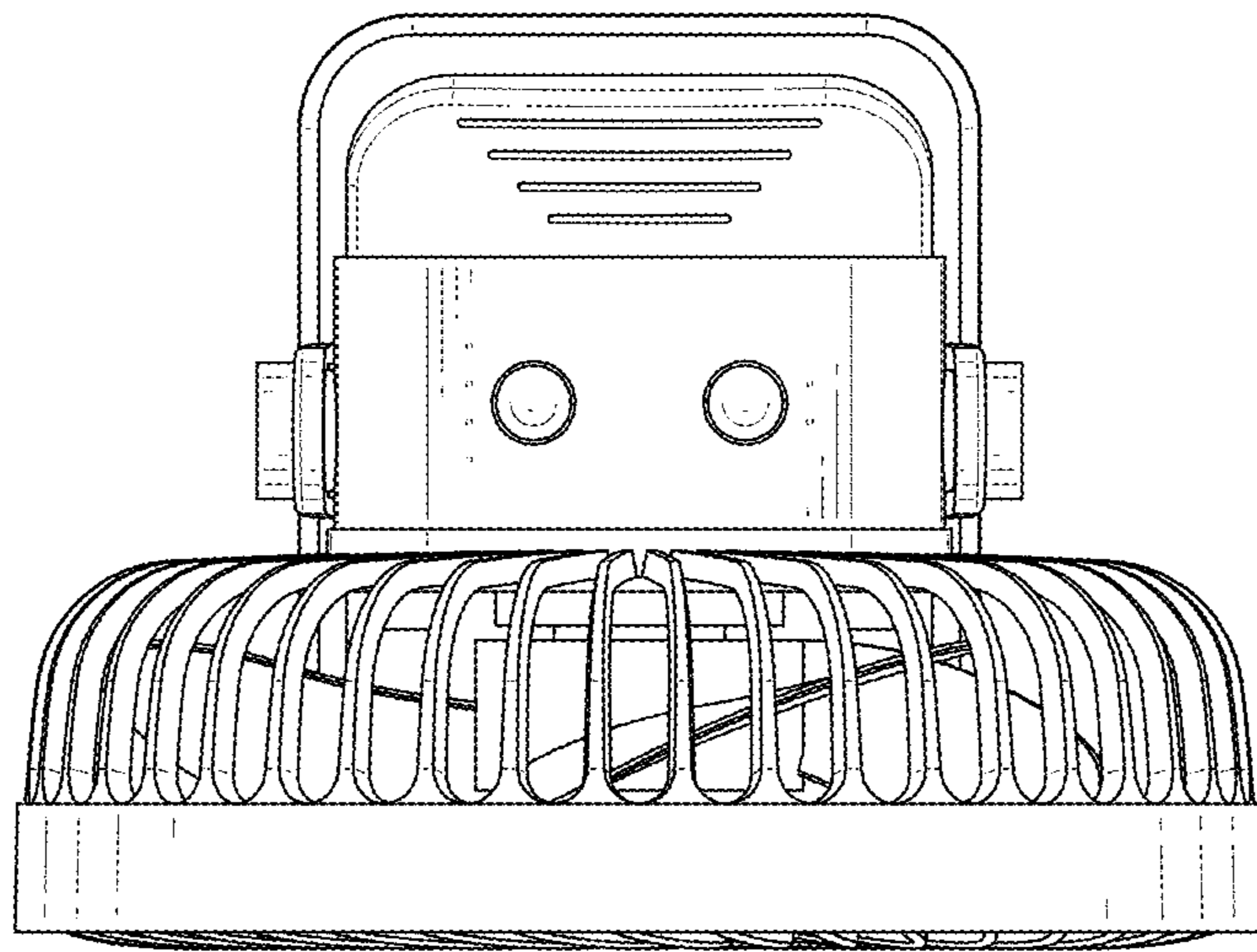


FIG. 8

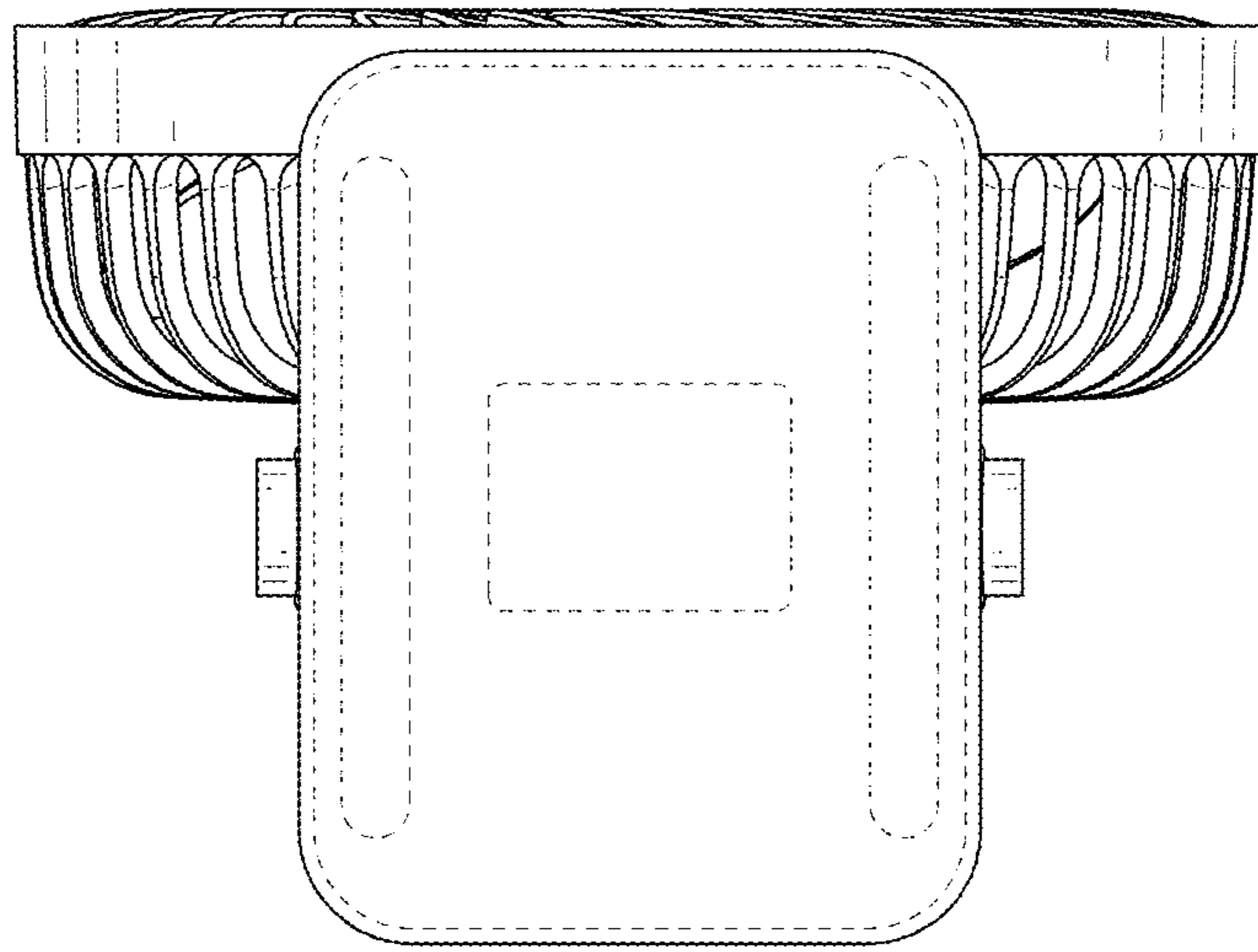


FIG. 9

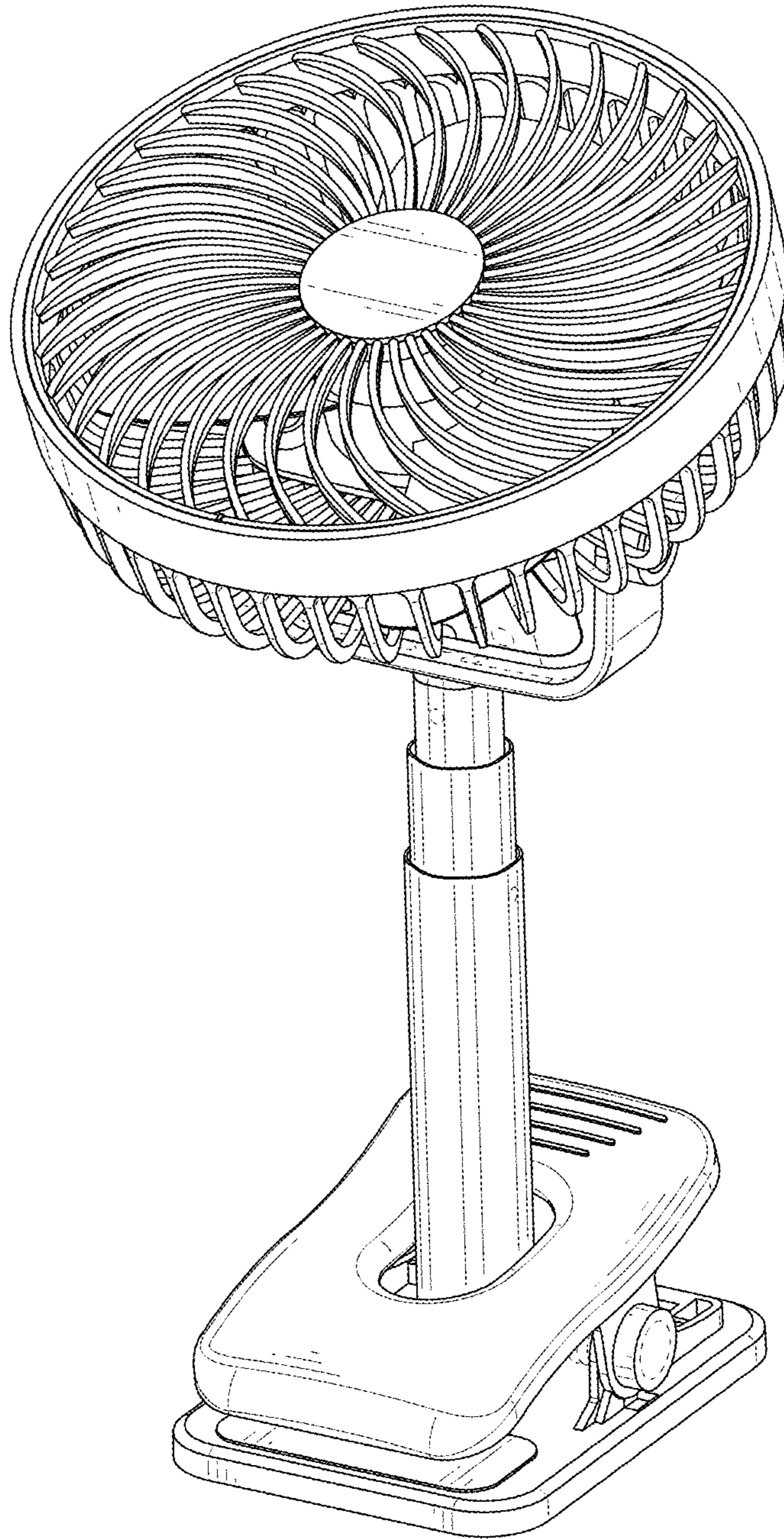


FIG. 10