



US00D898178S

(12) **United States Design Patent** (10) **Patent No.:** **US D898,178 S**  
**Wang** (45) **Date of Patent:** **\*\* Oct. 6, 2020**

(54) **ACTIVE DISPENSER**

FOREIGN PATENT DOCUMENTS

(71) Applicant: **S. C. Johnson & Son, Inc.**, Racine, WI (US)

CN 3041856 3/1996  
CN 3631794 4/2007

(Continued)

(72) Inventor: **Wendy Wang**, Shenzhen (CN)

(73) Assignee: **S. C. Johnson & Son, Inc.**, Racine, WI (US)

OTHER PUBLICATIONS

Hartz.com, Hartz Dura Play Ball Large, available from Archive.org Aug. 2017, online product page, retrieved Apr. 27, 2020 from <URL:https://www.hartz.com/product/hartz-dura-play-ball-large/> (Year: 2017).\*

(\*\*) Term: **15 Years**

*Primary Examiner* — Sheryl Lane  
*Assistant Examiner* — Calvin E Vansant

(21) Appl. No.: **29/651,456**

(22) Filed: **Aug. 16, 2018**

(51) **LOC (12) Cl.** ..... **23-04**

(52) **U.S. Cl.**  
USPC ..... **D23/366**

(57) **CLAIM**

(58) **Field of Classification Search**  
USPC .... D23/208, 355-369; D14/209.1, 212-213; D21/708, 713, 714; D32/29.1  
CPC ..... A61L 9/02; A61L 9/03; A61L 9/12; A61L 9/035; A61L 9/125  
See application file for complete search history.

The ornamental design for an actives dispenser, as shown and described.

**DESCRIPTION**

(56) **References Cited**

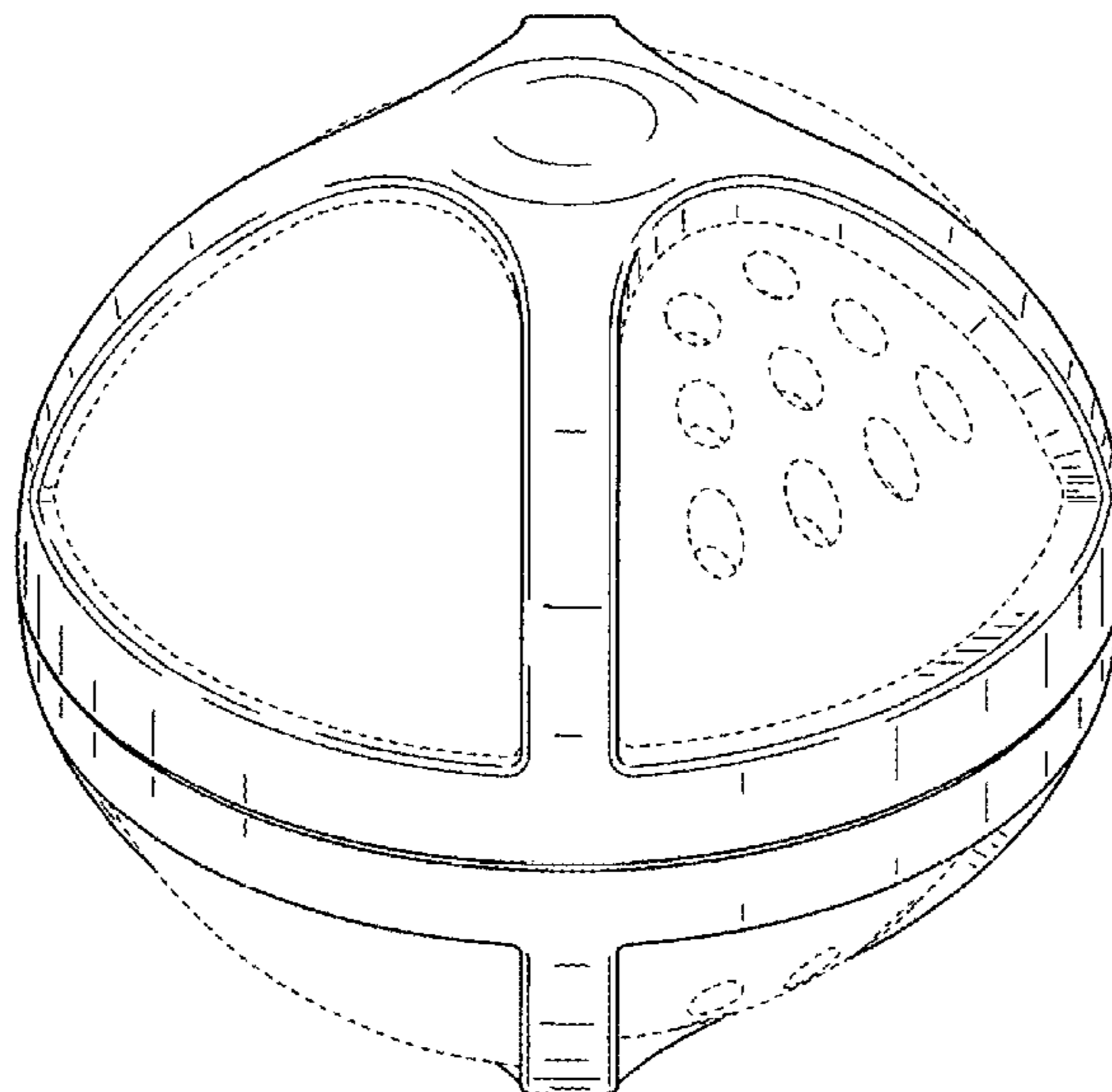
U.S. PATENT DOCUMENTS

D55,413 S *	6/1920	Cigol	.....	D21/713
2,078,382 A *	4/1937	Hanshaw	.....	A63B 37/14 473/595
3,790,175 A *	2/1974	Ragnow	.....	A63F 9/12 273/160
4,006,908 A *	2/1977	Minami	.....	A63B 39/00 473/200
4,240,639 A *	12/1980	Bolton	.....	A63B 43/005 428/100
4,458,895 A *	7/1984	Turcotte	.....	A63B 19/02 280/206
4,944,455 A	7/1990	Haust et al.		
5,020,438 A *	6/1991	Brown	.....	F42B 10/04 102/436
D345,788 S	4/1994	Green		

(Continued)

FIG. 1 is an isometric view of a top, front, and left side of an ornamental design for an actives dispenser;  
FIG. 2 is a front elevational view of the actives dispenser of FIG. 1;  
FIG. 3 is a rear elevational view of the actives dispenser of FIG. 1;  
FIG. 4 is a right side elevational view of the actives dispenser of FIG. 1;  
FIG. 5 is a left side elevational view of the actives dispenser of FIG. 1;  
FIG. 6 is a top plan view of the actives dispenser of FIG. 1; and,  
FIG. 7 is a bottom plan view of the actives dispenser of FIG. 1.  
The dash-dash-dash-dash broken lines are included for the purpose of illustrating portions that form no part of the claimed design.

**1 Claim, 4 Drawing Sheets**



(56)

References Cited

FOREIGN PATENT DOCUMENTS

U.S. PATENT DOCUMENTS					
			CN	300823985	9/2008
			CN	301412409	12/2010
5,526,966	A	6/1996 Lutzker	CN	301566867	6/2011
D372,750	S *	8/1996 Schloss ..... D21/707	CN	301648417	8/2011
D408,482	S *	4/1999 Morrison ..... D21/708	CN	301655370	8/2011
D468,378	S *	1/2003 Routzong ..... D21/398	CN	302383931	4/2013
D503,758	S *	4/2005 Crane ..... D21/707	CN	302722398	1/2014
6,880,765	B2	4/2005 Tuomikoski et al.	CN	302882929	7/2014
D510,991	S	10/2005 Harbutt et al.	CN	303267658	7/2015
D536,081	S	1/2007 Steinel	CN	303291759	7/2015
D547,430	S	7/2007 Low	CN	303416425	10/2015
D579,163	S *	10/2008 Schablinger ..... D32/29.1	CN	303552105	1/2016
D584,391	S	1/2009 Howlett et al.	CN	303613254	3/2016
7,631,814	B2	12/2009 Zarembinski	CN	303827159	8/2016
D617,439	S	6/2010 Valentino et al.	CN	303827160	8/2016
D636,682	S	4/2011 Gilliard, II	CN	303863830	9/2016
D639,922	S	6/2011 Howlett et al.	CN	205615316	U 10/2016
D643,167	S *	8/2011 Cheng ..... D32/29.1	CN	304032110	2/2017
D644,936	S	9/2011 Gilliard, II	CN	304046520	2/2017
8,020,785	B2	9/2011 Chao	CN	304322538	10/2017
D646,447	S *	10/2011 Lozano ..... D32/29.1	CN	304363923	11/2017
D646,449	S *	10/2011 Cheng ..... D32/29.1	CN	304375973	11/2017
D648,405	S *	11/2011 Wu ..... D21/398	CN	304381026	12/2017
D662,804	S *	7/2012 Larson ..... A63B 43/00 473/595	CN	304462168	1/2018
D663,368	S *	7/2012 Denner ..... D21/713	CN	304585600	4/2018
D680,698	S *	4/2013 McWilliams ..... D21/398	CN	304609148	5/2018
D707,776	S *	6/2014 Rubey ..... D21/713	CN	304647265	5/2018
D718,397	S *	11/2014 Nagi ..... D06F 95/008 D21/708	EM	000292453-0001	2/2005
			EM	000292453-0002	2/2005
9,259,499	B2	2/2016 Atkinson et al.	EM	000529896-0001	5/2006
D770,710	S *	11/2016 Li ..... D32/29.1	EM	000529896-0002	5/2006
9,694,098	B2	7/2017 Atkinson et al.	EM	000529896-0003	5/2006
D798,658	S *	10/2017 Masifilo ..... D7/400	EM	000529896-0004	5/2006
D802,157	S *	11/2017 Kasuto ..... D3/201	EM	000529896-0005	5/2006
D805,145	S *	12/2017 Loffelmann ..... D21/713	EM	000529896-0006	5/2006
D817,562	S *	5/2018 Markham ..... D32/29.1	EM	000645676-0001	1/2007
D819,748	S	6/2018 Luk	EM	000645676-0002	1/2007
D820,426	S *	6/2018 Li ..... D32/29.1	EM	000668132-0001	2/2007
D834,300	S *	11/2018 Sapara, Jr. .... D3/201	EM	000668132-0002	2/2007
2003/0080197	A1 *	5/2003 Tuomikoski ..... A61L 9/12 239/44	EM	000804794-0001	10/2007
2003/0131803	A1 *	7/2003 Willinger ..... A01K 15/026 119/707	EM	001743519-0001	8/2010
			EM	001743519-0002	8/2010
2006/0054104	A1 *	3/2006 Gick ..... A01K 15/025 119/707	EM	001846130-0001	4/2011
			EM	002045708-0001	5/2012
2007/0001023	A1	1/2007 Green et al.	EM	000126446-0001	1/2014
2010/0281928	A1 *	11/2010 Martin ..... D06F 39/024 68/213	EM	003731801-0006	1/2017
2011/0256967	A1 *	10/2011 Shore ..... A63B 43/00 473/595	WO	004542595-0001	12/2017
			WO	DM/033945	8/1995
2015/0299933	A1 *	10/2015 Oh ..... D06F 39/00 510/513		DM043934	5/2013
2017/0260672	A1 *	9/2017 Keyes ..... D06F 95/008			

\* cited by examiner

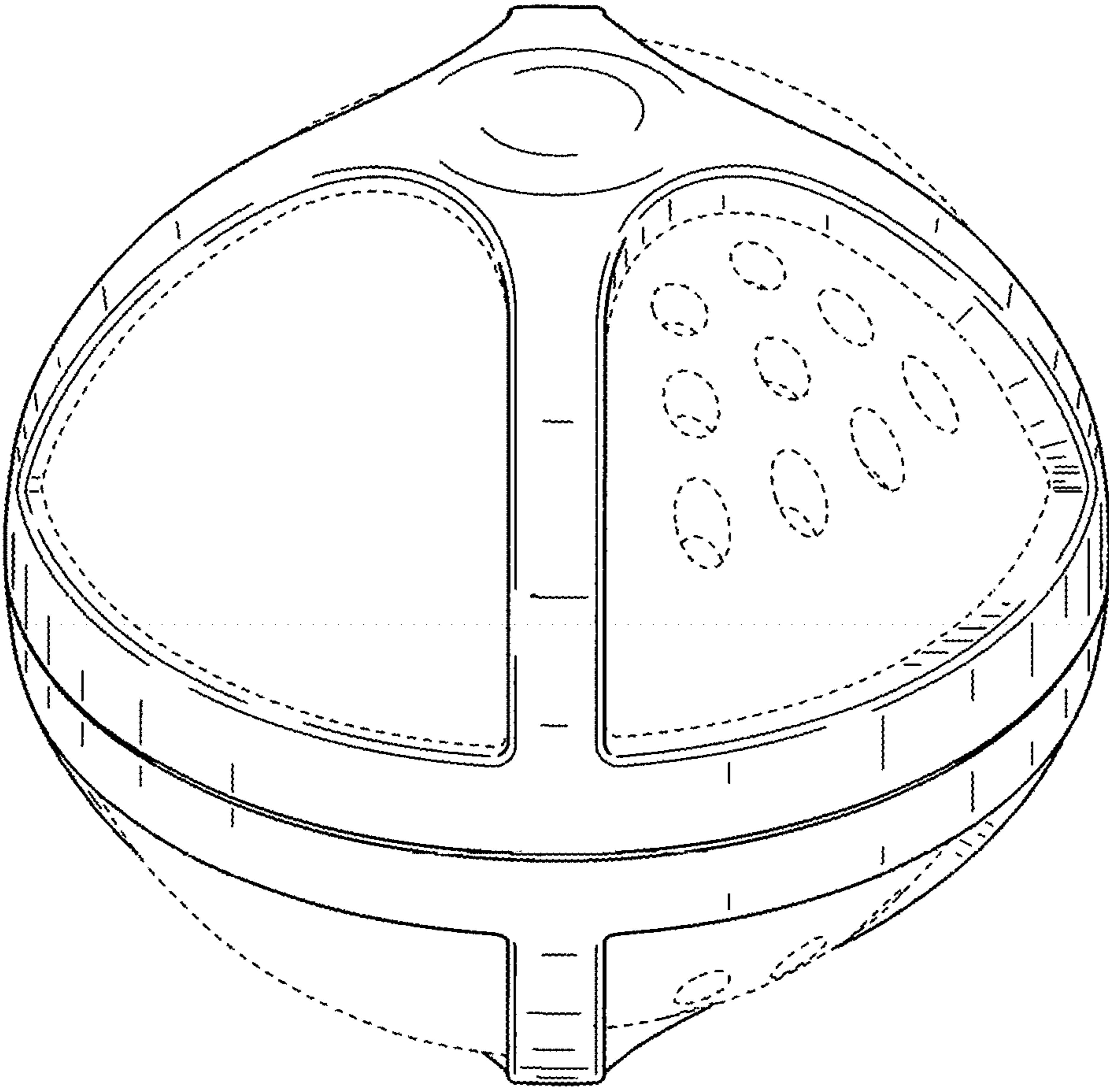


FIG. 1

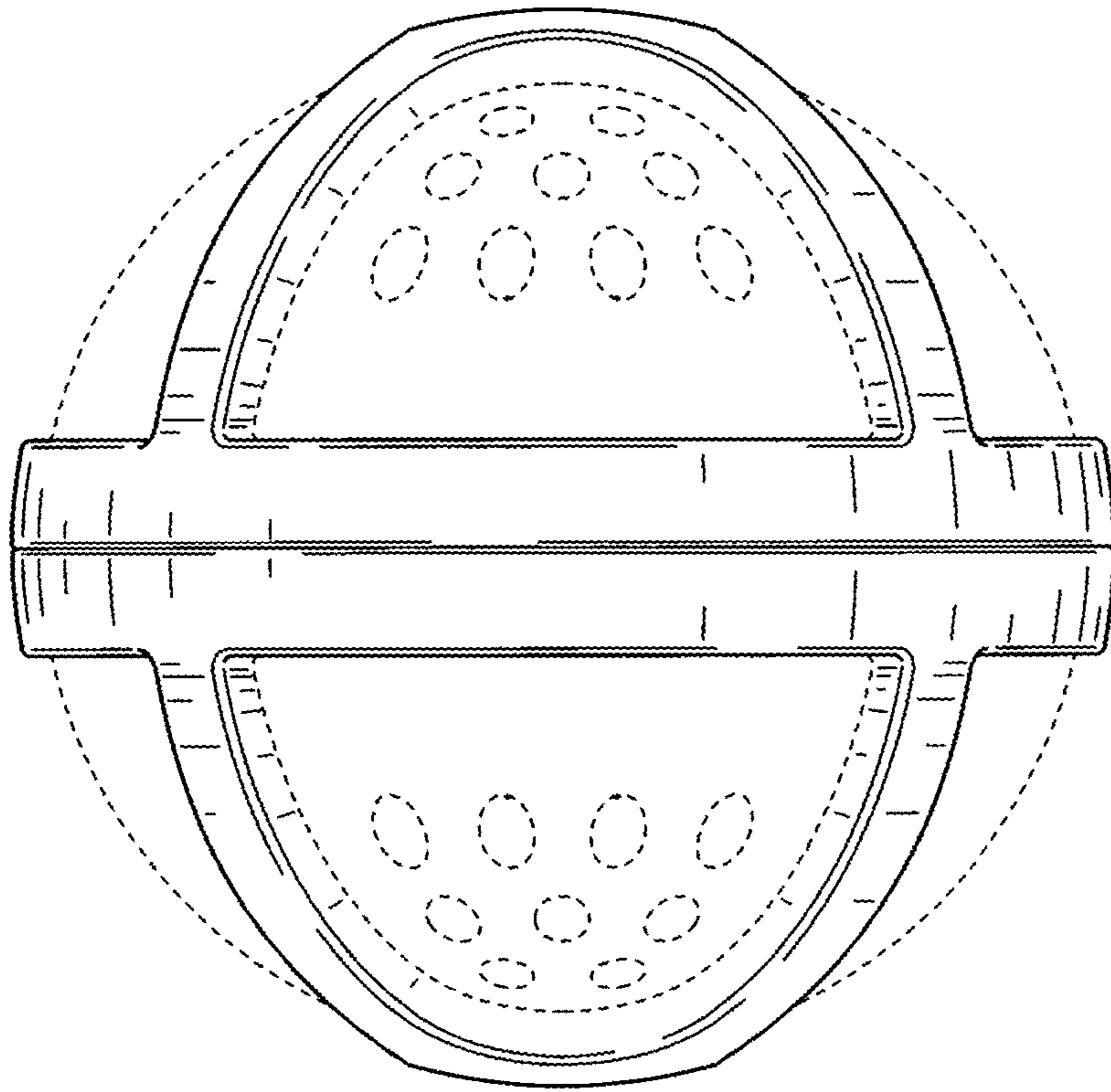


FIG. 2

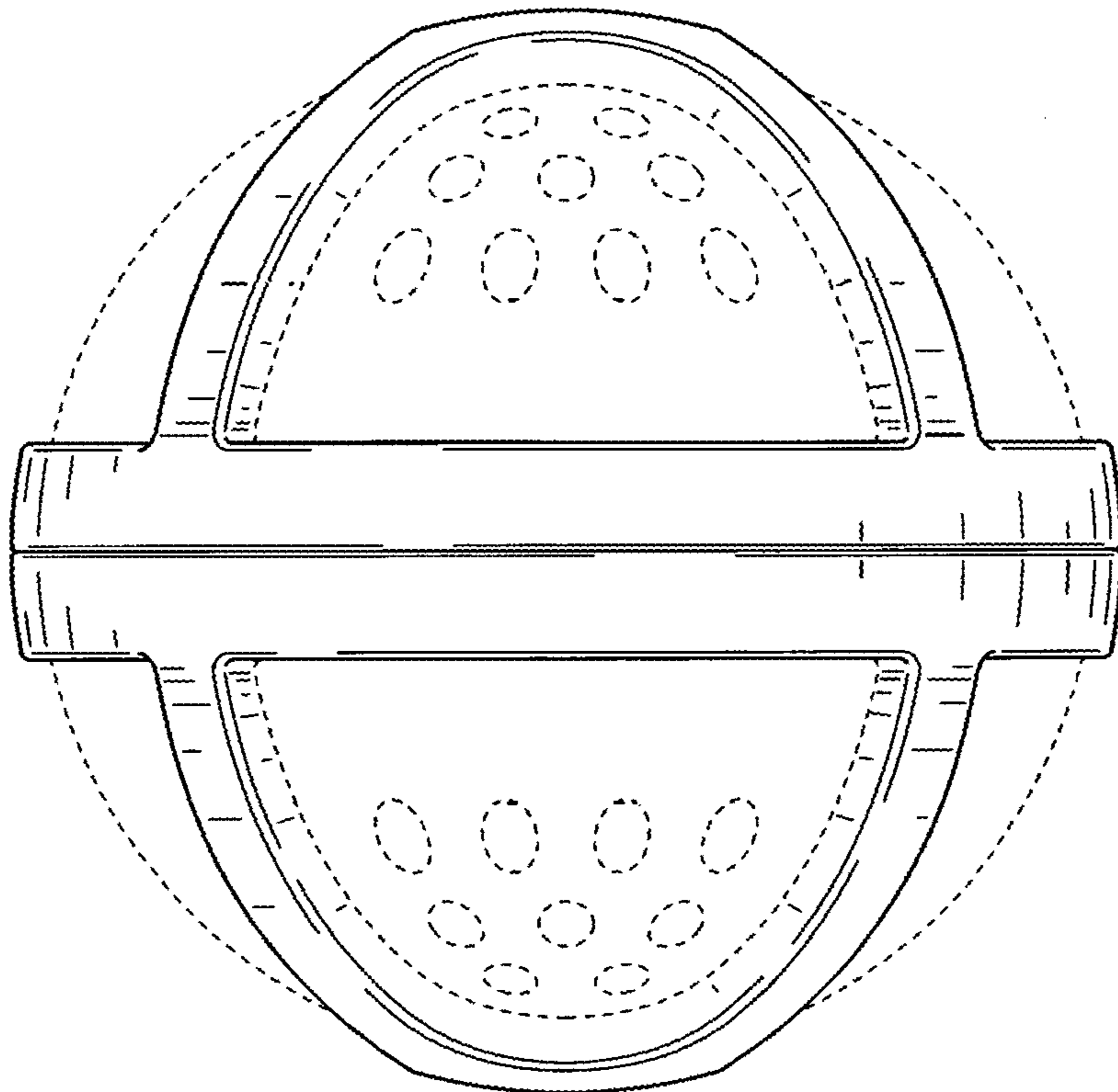


FIG. 3

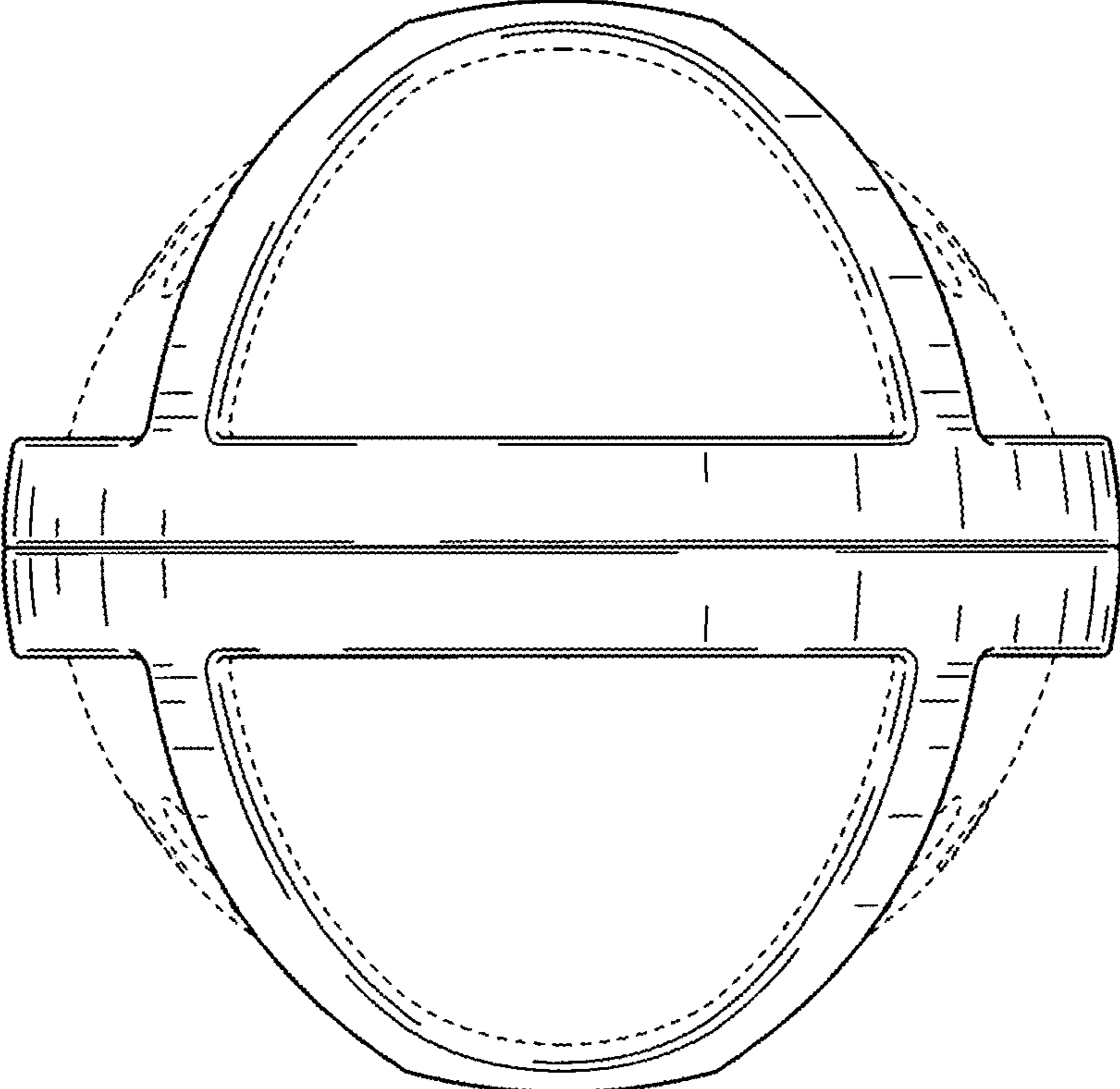


FIG. 4

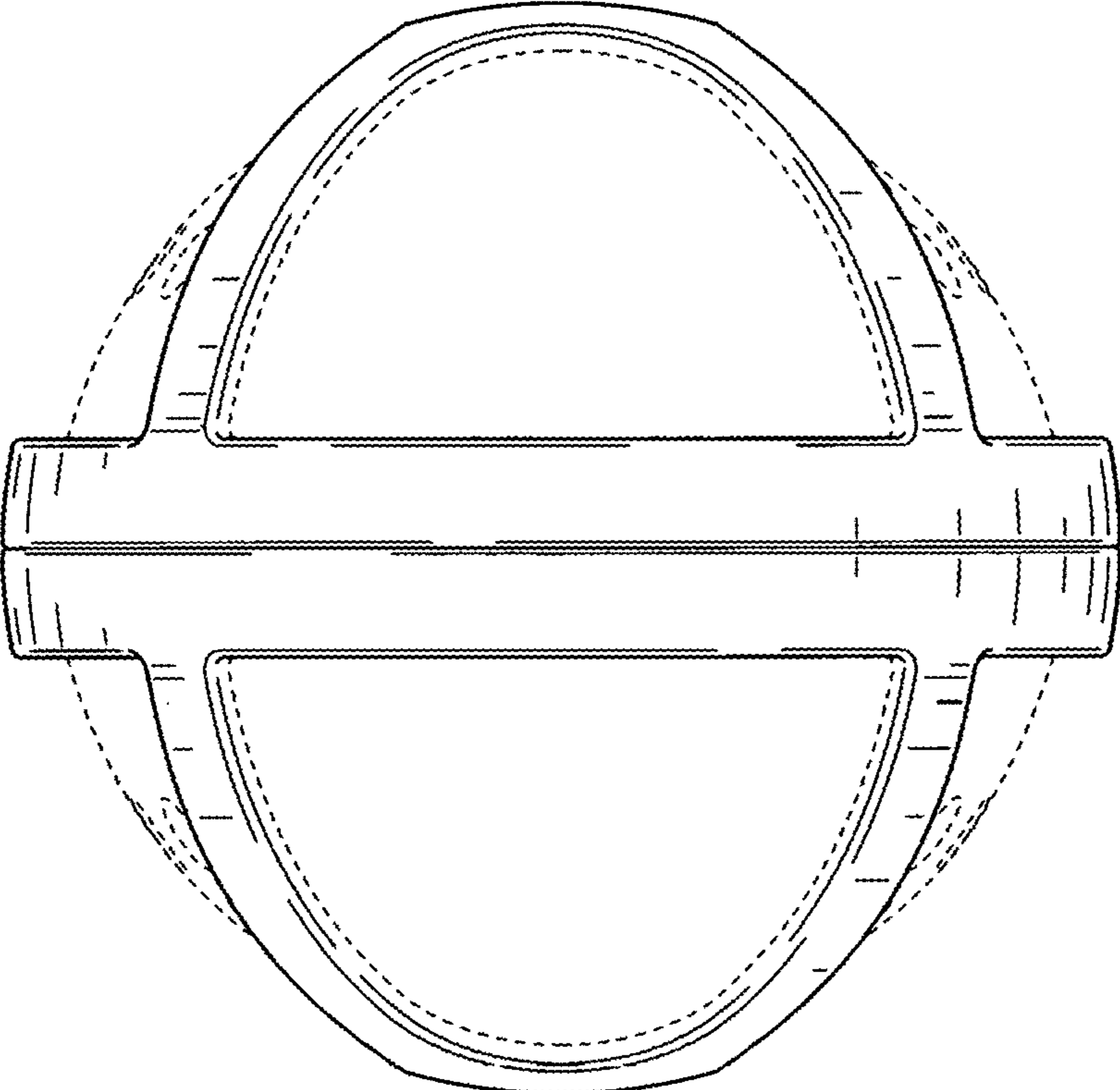


FIG. 5

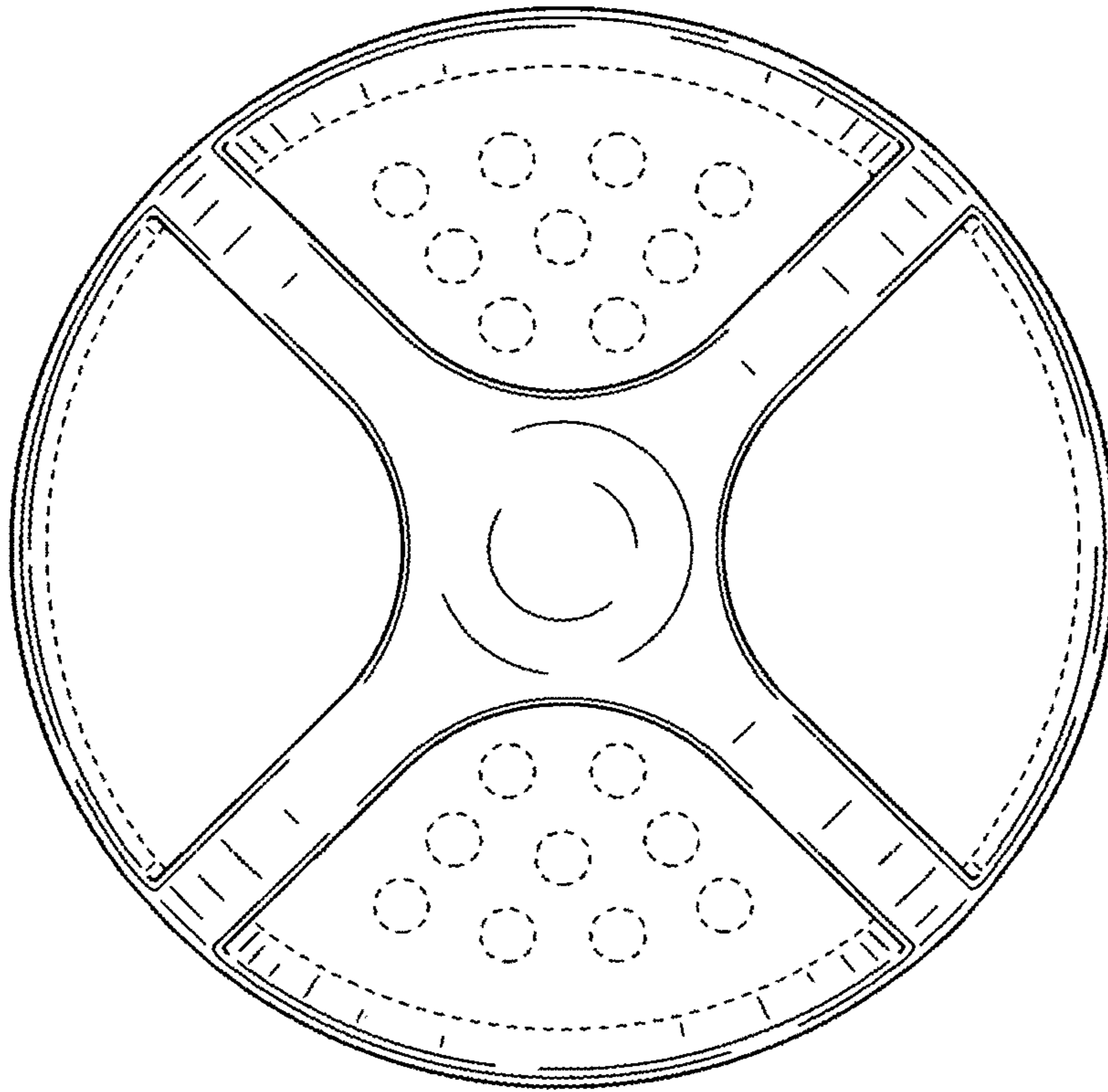


FIG. 6

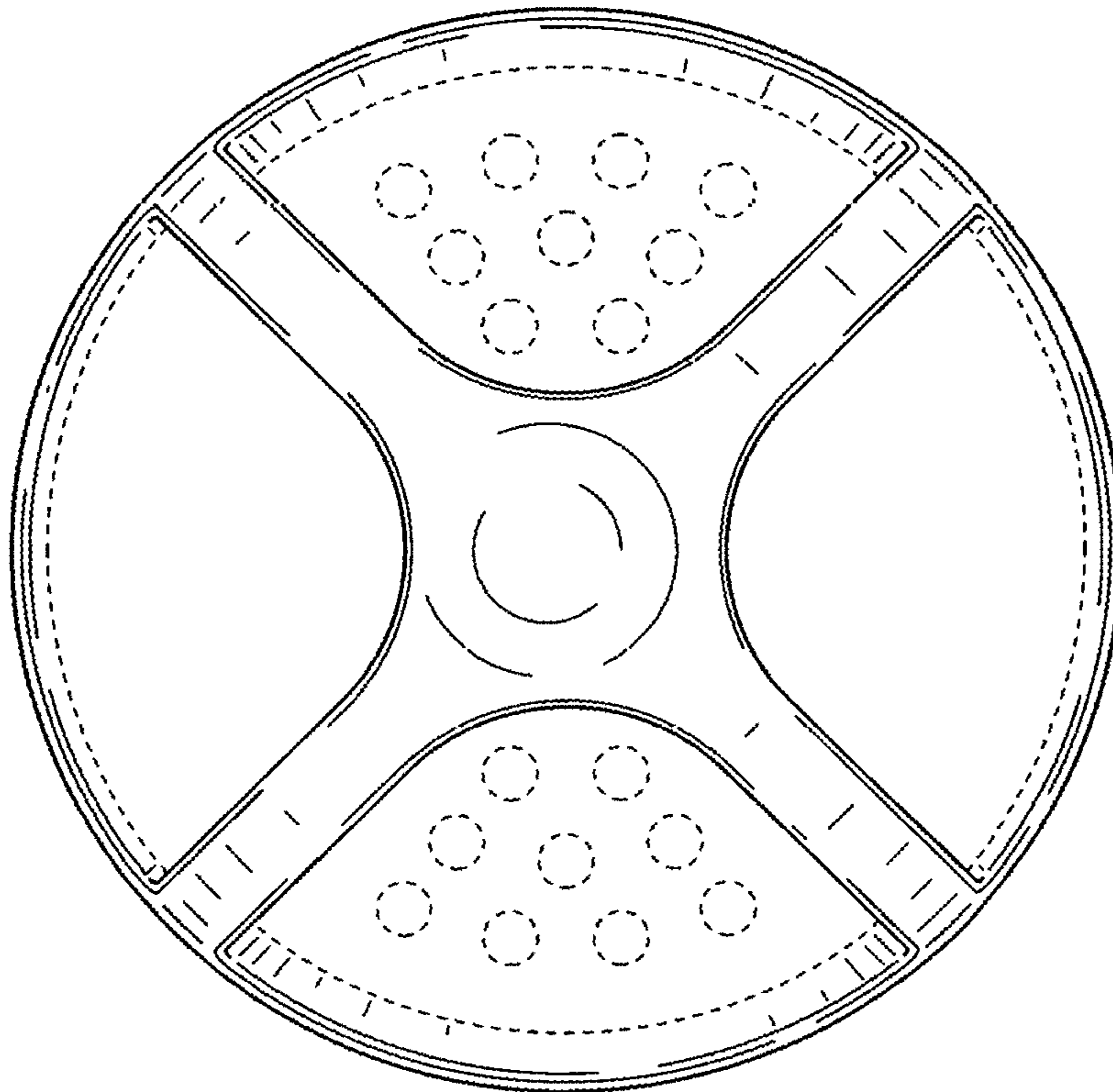


FIG. 7