



US00D898177S

(12) **United States Design Patent** (10) **Patent No.:** **US D898,177 S**
Guo (45) **Date of Patent:** **** Oct. 6, 2020**

- (54) **AIR FILTER**
- (71) Applicant: **SHENZHEN SHENYUANXIN TECHNOLOGY CO., LTD.**, Shenzhen (CN)
- (72) Inventor: **Jinhao Guo**, Shenzhen (CN)
- (73) Assignee: **SHENZHEN SHENYUANXIN TECHNOLOGY CO., LTD.**, Shenzhen (CN)
- (**) Term: **15 Years**
- (21) Appl. No.: **29/715,292**
- (22) Filed: **Nov. 29, 2019**
- (51) **LOC (12) Cl.** **23-04**
- (52) **U.S. Cl.**
USPC **D23/365**
- (58) **Field of Classification Search**
USPC D23/365, 209, 363, 358, 386, 354, 341, D23/364, 388; D32/31; D15/5; D6/675; D24/162
CPC B01D 46/00; B01D 46/0002; B01D 46/0004; B01D 46/0005; B01D 46/0006; B01D 46/0009; B01D 46/0012; B01D 46/0013; B01D 46/0015; B01D 46/0016; B01D 46/10; B01D 46/521; F02M 37/103
See application file for complete search history.

- D628,673 S * 12/2010 Dittmann D23/209
- D628,674 S * 12/2010 Dittmann D23/209
- D652,130 S 1/2012 Rafi
- D652,498 S 1/2012 Rafi
- D679,792 S * 4/2013 Hollingsworth D23/365
- D706,831 S * 6/2014 Schultz D15/5
- 8,834,611 B1 * 9/2014 Dimicelli B01D 46/0016 95/286
- D725,254 S 3/2015 Roblin
- D732,153 S 6/2015 Sanocki et al.
- D752,369 S * 3/2016 Coleman D6/675
- D775,344 S * 12/2016 Wu D24/162
- D777,211 S * 1/2017 Wall D15/5
- D804,005 S * 11/2017 Spear D23/365
- D809,115 S * 1/2018 Morin D23/365
- D819,699 S * 6/2018 Krull D15/5
- D831,182 S 10/2018 Gregerson et al.
- D848,599 S * 5/2019 Schramski D23/388
- D860,426 S 9/2019 Hugues et al.
- D864,369 S 10/2019 Gallet et al.
- D864,370 S 10/2019 Gallet et al.

(Continued)

Primary Examiner — Susan E Krakower
Assistant Examiner — Jerry Shiuian-Hua Hsu
(74) *Attorney, Agent, or Firm* — Law Offices of Steven W. Weinrieb

(57) **CLAIM**

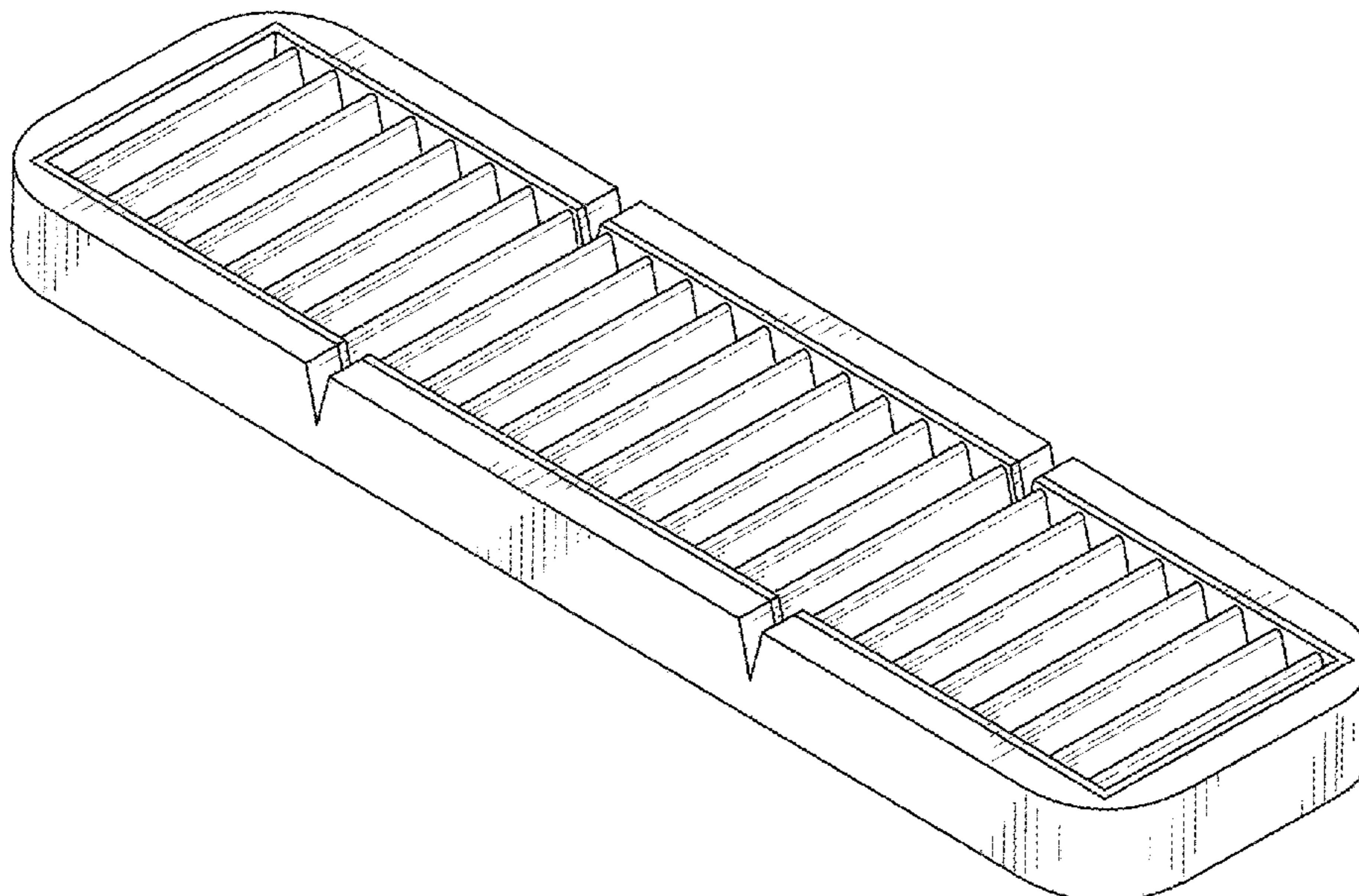
The ornamental design for an air filter, as shown and described.

DESCRIPTION

FIG. 1 is a front, right side, top perspective view of an air filter showing my new design;
FIG. 2 is a front elevational view thereof;
FIG. 3 is a rear elevational view thereof;
FIG. 4 is a left side elevational view thereof;
FIG. 5 is a right side elevational view thereof;
FIG. 6 is a top plan view thereof; and,
FIG. 7 is a bottom plan view thereof.

1 Claim, 7 Drawing Sheets

- (56) **References Cited**
U.S. PATENT DOCUMENTS
5,810,898 A * 9/1998 Miller B01D 46/10 55/501
D520,620 S * 5/2006 Wang D23/365
D535,373 S * 1/2007 Chung D23/365
D538,418 S * 3/2007 Pippel D23/209
D618,779 S 6/2010 Jenkins
D628,267 S * 11/2010 Dittmann D23/209



(56)

References Cited

U.S. PATENT DOCUMENTS

2019/0232211 A1* 8/2019 Niki B01D 71/36
2019/0383250 A1* 12/2019 Kim F02M 37/103

* cited by examiner

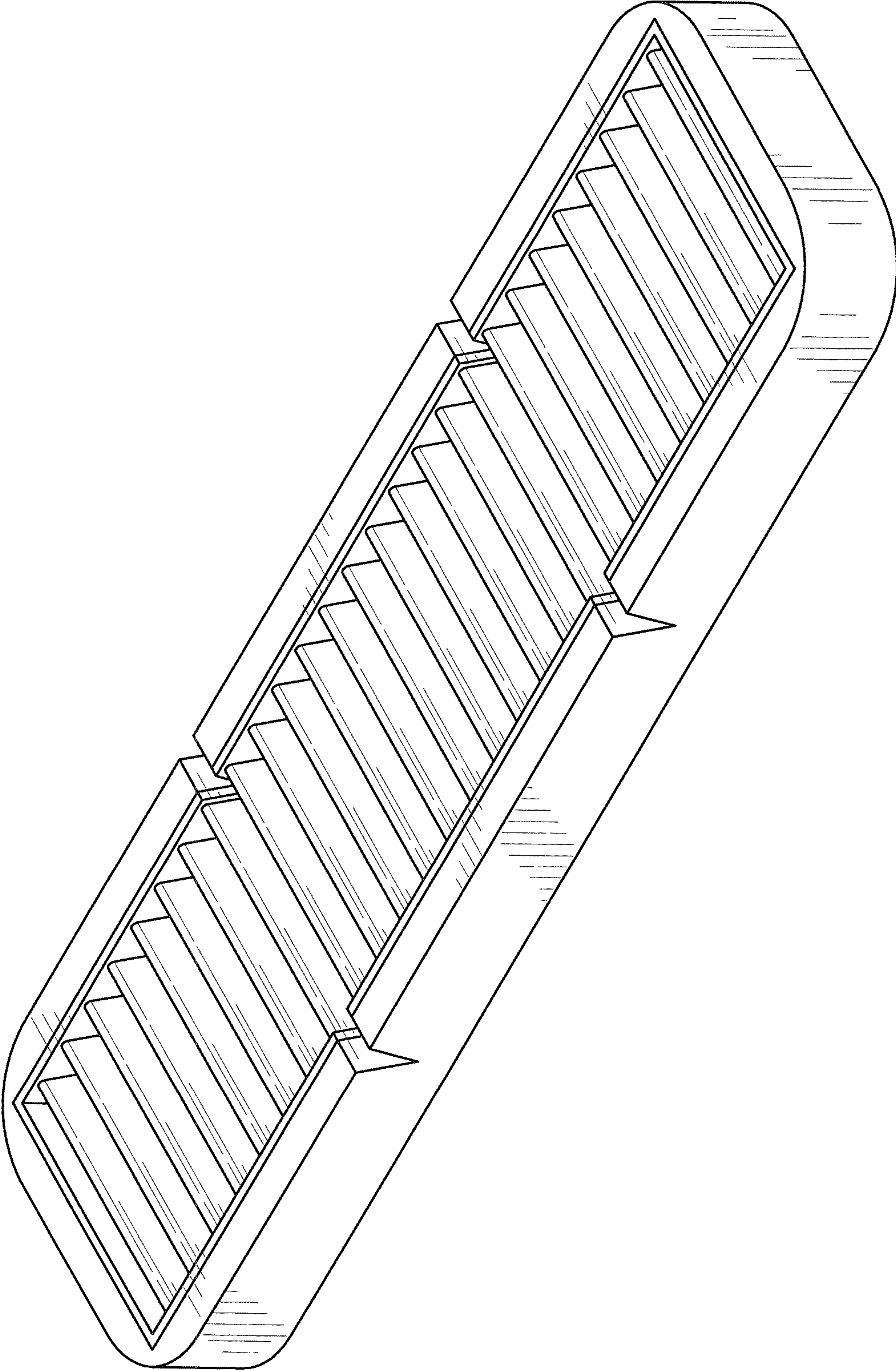


FIG.1

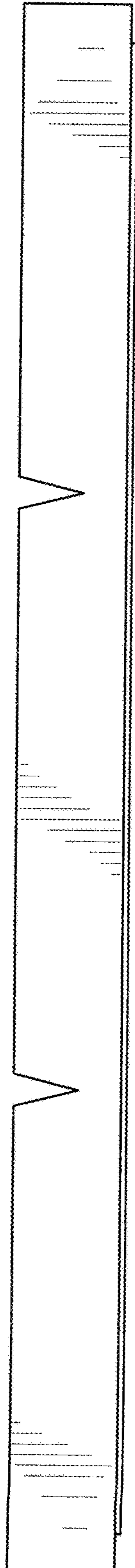


FIG.2

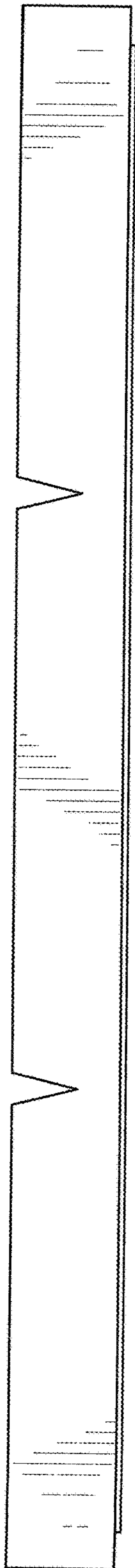


FIG. 3

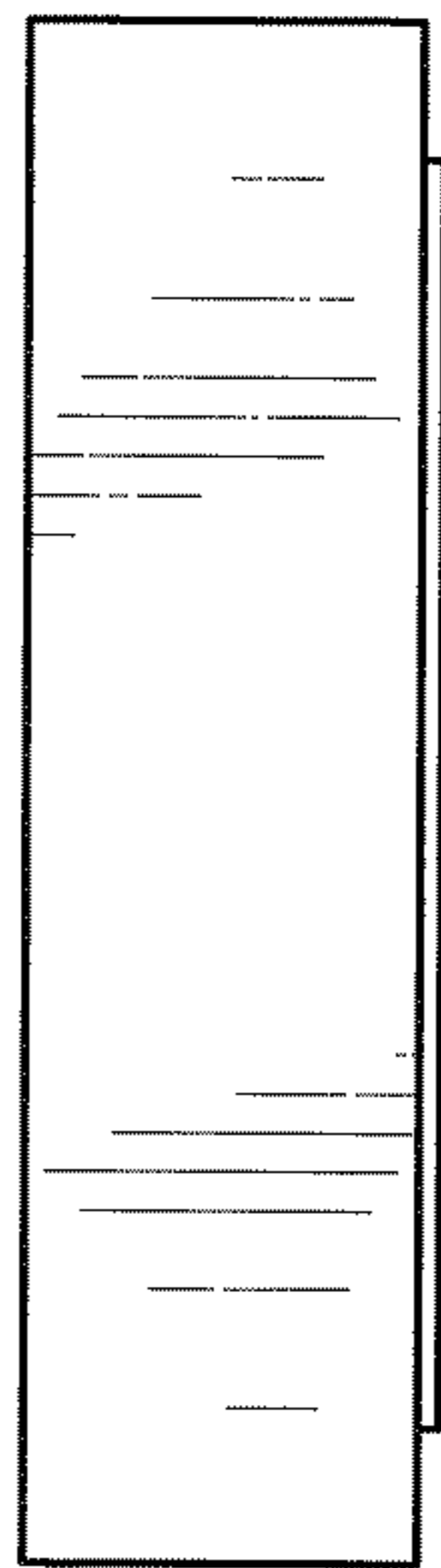


FIG. 4

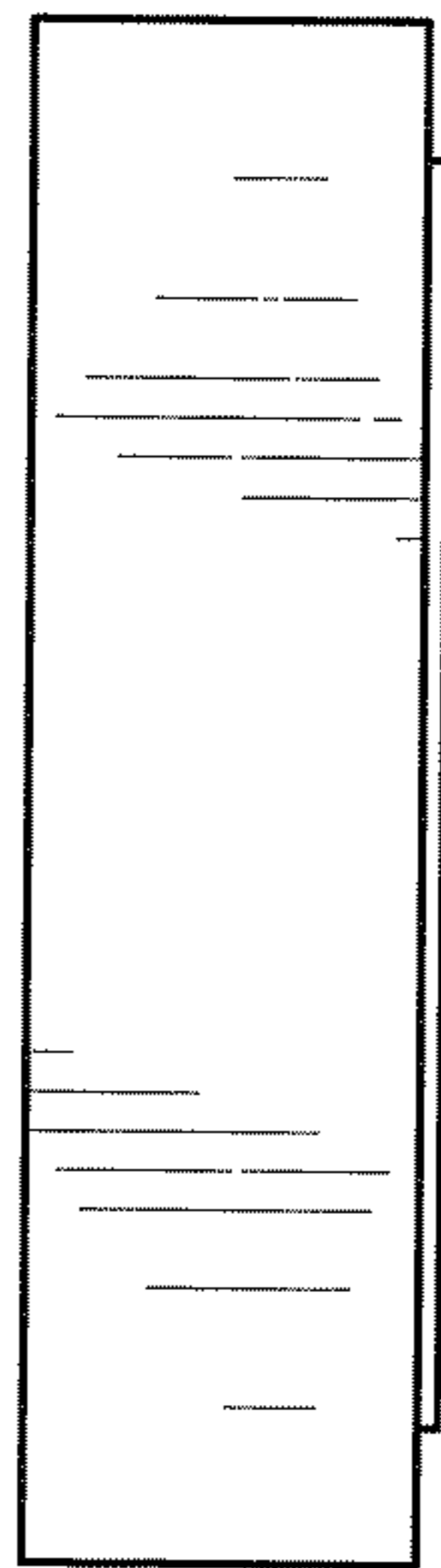


FIG. 5

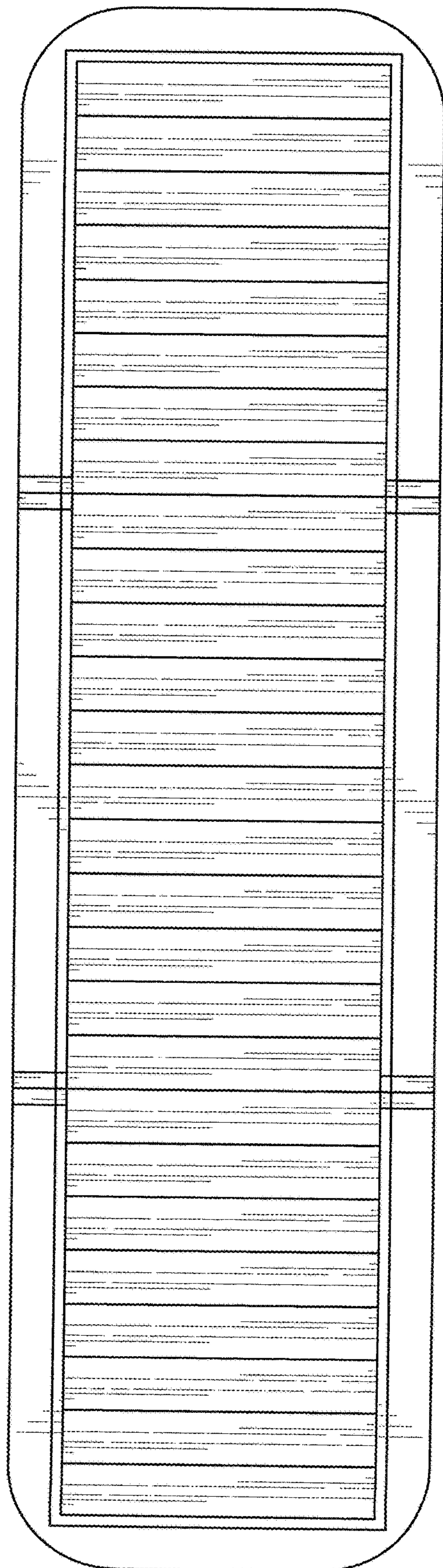


FIG. 6

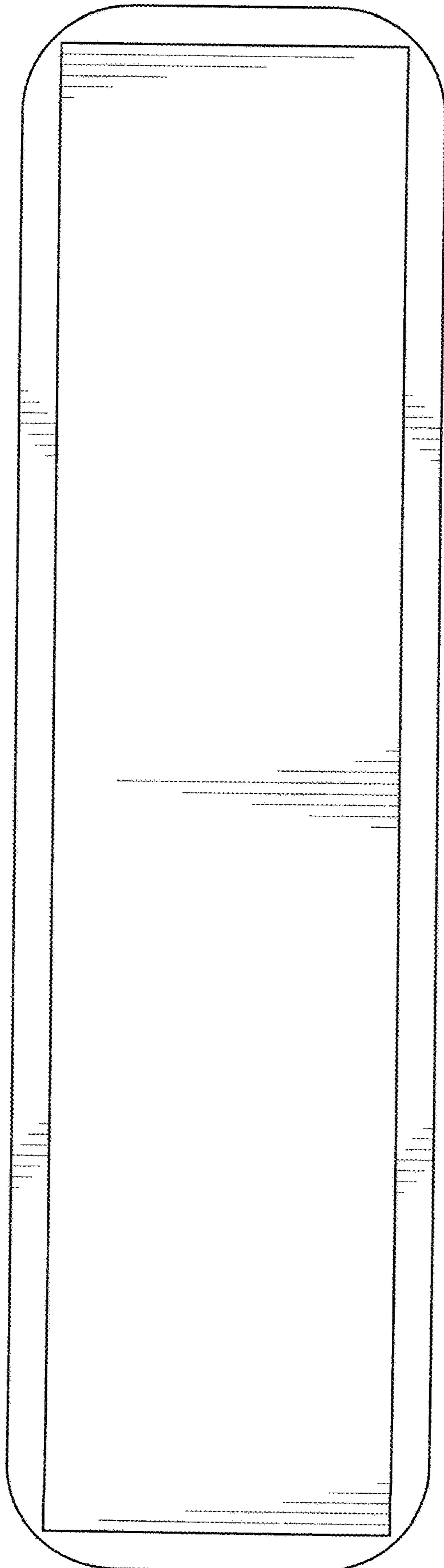


FIG. 7