



US00D898174S

(12) **United States Design Patent**
Kim et al.

(10) **Patent No.: US D898,174 S**

(45) **Date of Patent: ** *Oct. 6, 2020**

(54) **AIR CONDITIONER**

(71) Applicant: **SAMSUNG ELECTRONICS CO., LTD.**, Suwon-si, Gyeonggi-do (KR)

(72) Inventors: **Tae Han Kim**, Suwon-si (KR);
Min-Kyung Choi, Suwon-si (KR)

(73) Assignee: **SAMSUNG ELECTRONICS CO., LTD.**, Gyeonggi-Do (KR)

(*) Notice: This patent is subject to a terminal disclaimer.

(**) Term: **15 Years**

(21) Appl. No.: **29/685,263**

(22) Filed: **Mar. 27, 2019**

(30) **Foreign Application Priority Data**

Nov. 14, 2018 (KR) 30-2018-0052699

(51) **LOC (12) Cl.** **23-04**

(52) **U.S. Cl.**
USPC **D23/351**

(58) **Field of Classification Search**

USPC D23/333, 351-354, 388
CPC F24F 1/00; F24F 1/0007; F24F 1/02; F24F 1/08; F24F 1/42; F24F 1/56; F24F 1/60; F24F 3/044; F24F 3/048; F24F 3/16; G05D 23/1905; G05D 23/1932; G05D 23/1902; G05D 23/1931; G05B 19/0426; G05B 19/409; G05B 15/02

See application file for complete search history.

(56) **References Cited**

U.S. PATENT DOCUMENTS

D578,633 S * 10/2008 Schluter D23/370
D589,605 S * 3/2009 Reedy D23/388

D684,246 S * 6/2013 Hong D23/354
D708,729 S * 7/2014 Platt D23/365
D723,675 S * 3/2015 Paskow D23/354

(Continued)

FOREIGN PATENT DOCUMENTS

CN 304294153 S 9/2017
CN 304474166 S 1/2018

(Continued)

Primary Examiner — Natasha Vujcic

(74) *Attorney, Agent, or Firm* — Cantor Colburn LLP

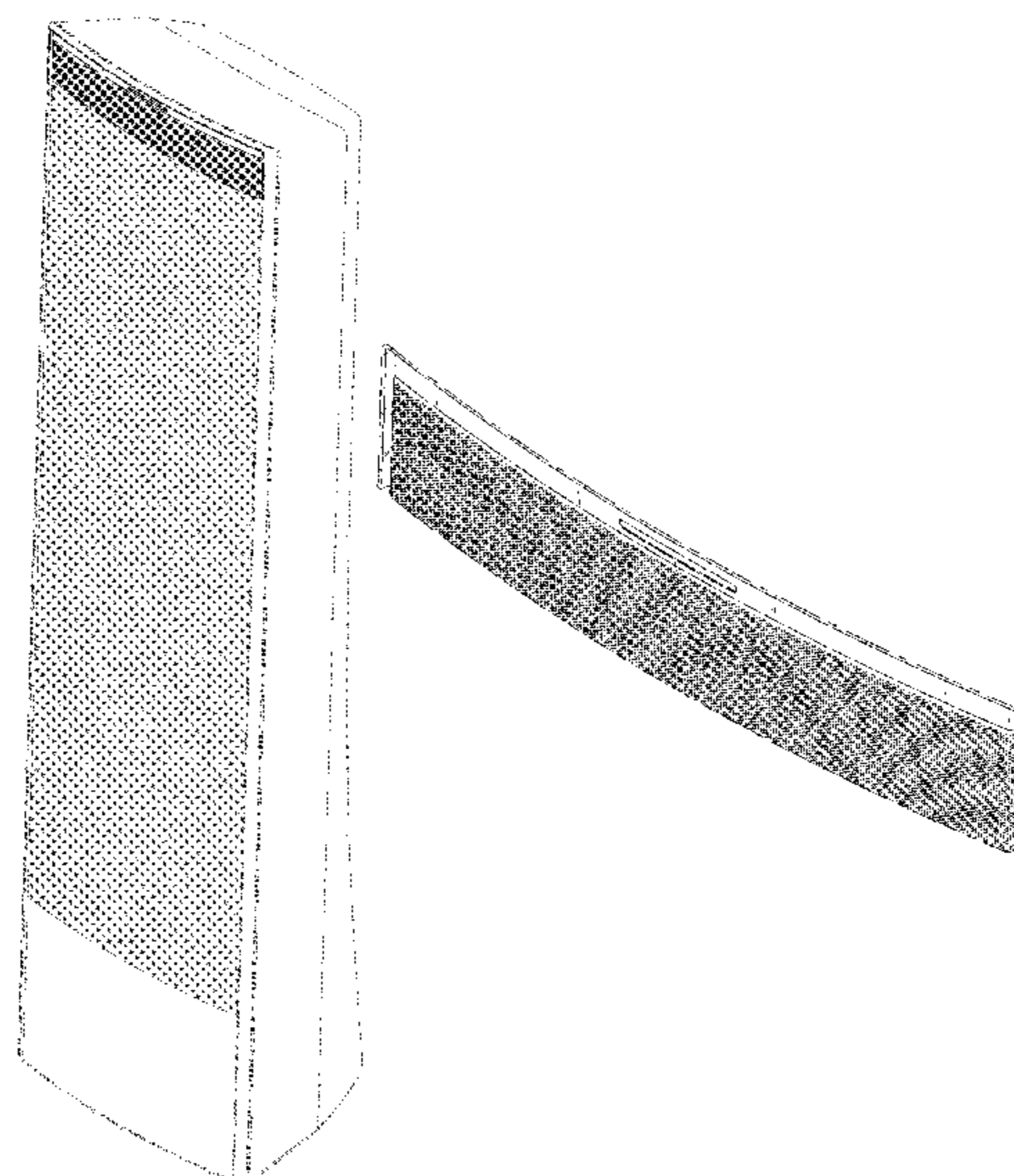
(57) **CLAIM**

The ornamental design for an air conditioner, as shown and described.

DESCRIPTION

FIG. 1 is a front perspective view of an air conditioner, showing our new design;
FIG. 2 is a front view thereof;
FIG. 3 is a rear view thereof;
FIG. 4 is a left-side view thereof;
FIG. 5 is a right-side view thereof;
FIG. 6 is a top view thereof;
FIG. 7 is a bottom view thereof;
FIG. 8 is another front perspective view thereof, showing only the claimed portion in FIG. 1;
FIG. 9 is an enlarged view of the portion 9 in FIG. 6;
FIG. 10 is a cross-sectional view thereof, taken along line 10-10 in FIG. 9;
FIG. 11 is an enlarged view of the portion 11 in FIG. 2; and,
FIG. 12 is an enlarged view of the portion 12 in FIG. 4.
The even-dash broken lines illustrating portions of the air conditioner form no part of the claimed design. The dot-dash broken lines in the figures represent a boundary line and form no part of the claimed design. The dot-dot-dash broken lines encircling enlargement portions of the claimed design form no part of the claimed design.
The thousands of tiny features of front portion are ‘micro air holes’, not the pattern.

1 Claim, 12 Drawing Sheets



(56)

References Cited

U.S. PATENT DOCUMENTS

D735,843	S	*	8/2015	Sunwoo	D23/333
D777,896	S	*	1/2017	Rizzi	D23/354
D777,897	S	*	1/2017	Rizzi	D23/354
D808,001	S	*	1/2018	Berkman	D23/371
D814,617	S	*	4/2018	Shin	D23/351
D819,597	S	*	6/2018	Hu	D14/214
D825,729	S	*	8/2018	Shin	D23/351
D857,867	S	*	8/2019	Shin	D23/351
D857,872	S	*	8/2019	Shimada	D23/371
D865,144	S	*	10/2019	Yoo	D23/333
D865,145	S	*	10/2019	Yoo	D23/333

FOREIGN PATENT DOCUMENTS

JP	D1425624	S	10/2011
KR	300849759	S	4/2016
WO	DM/071439		11/2008

* cited by examiner

FIG. 1

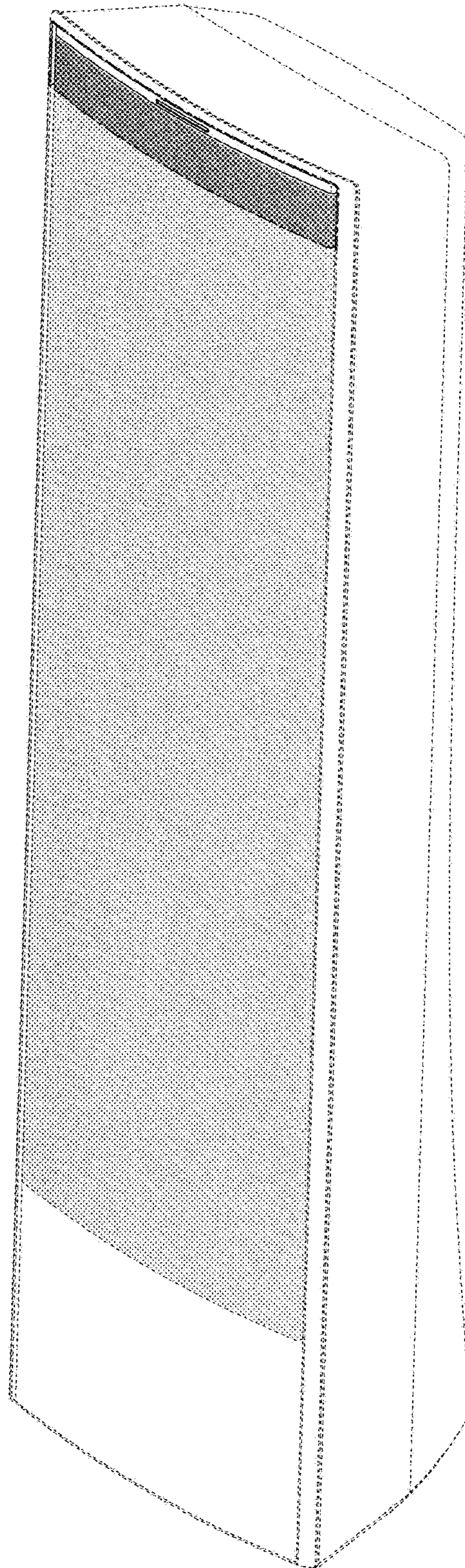


FIG. 2

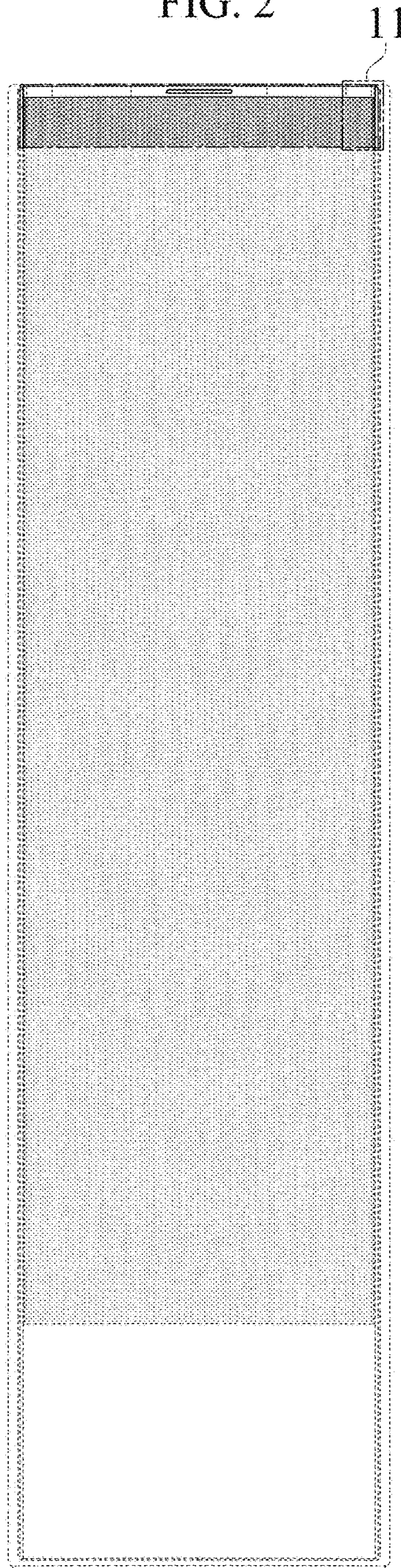


FIG. 3

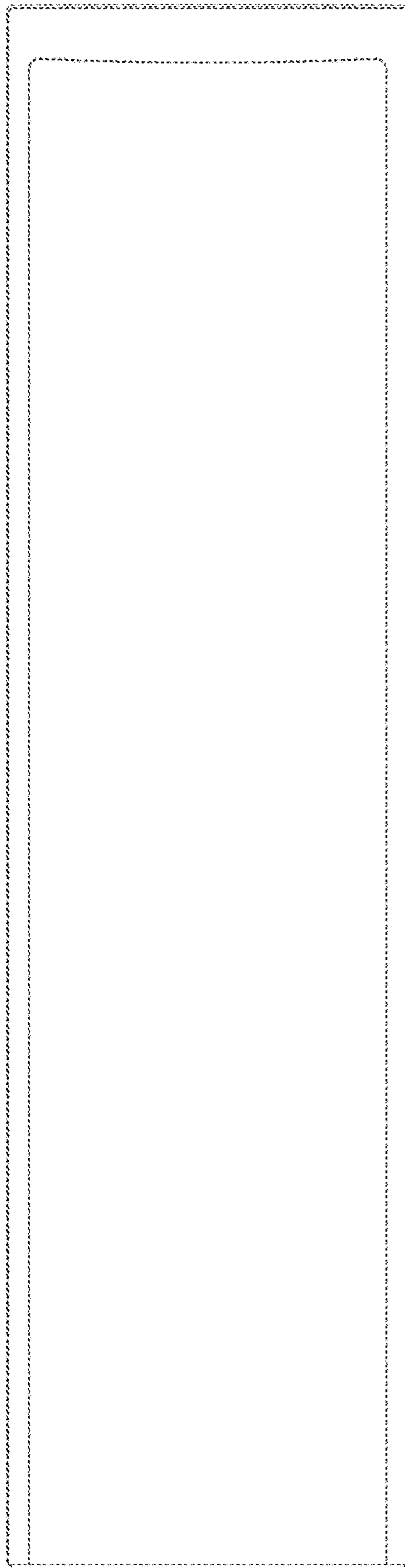


FIG. 4

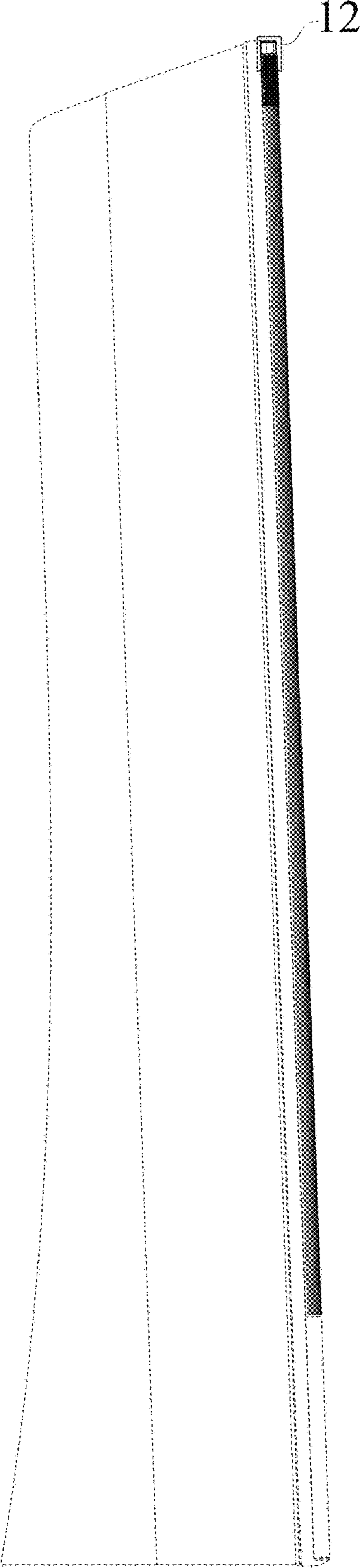


FIG. 5

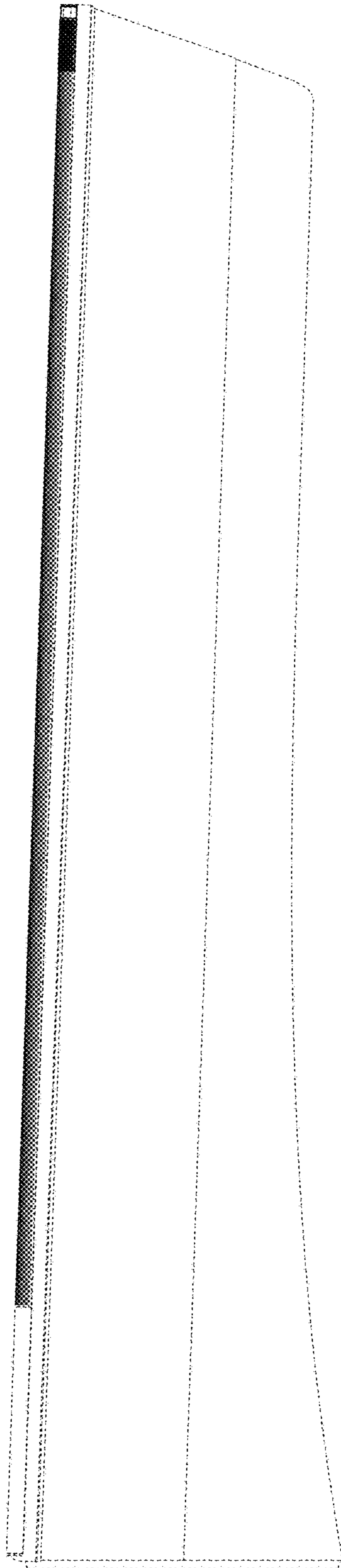


FIG. 6

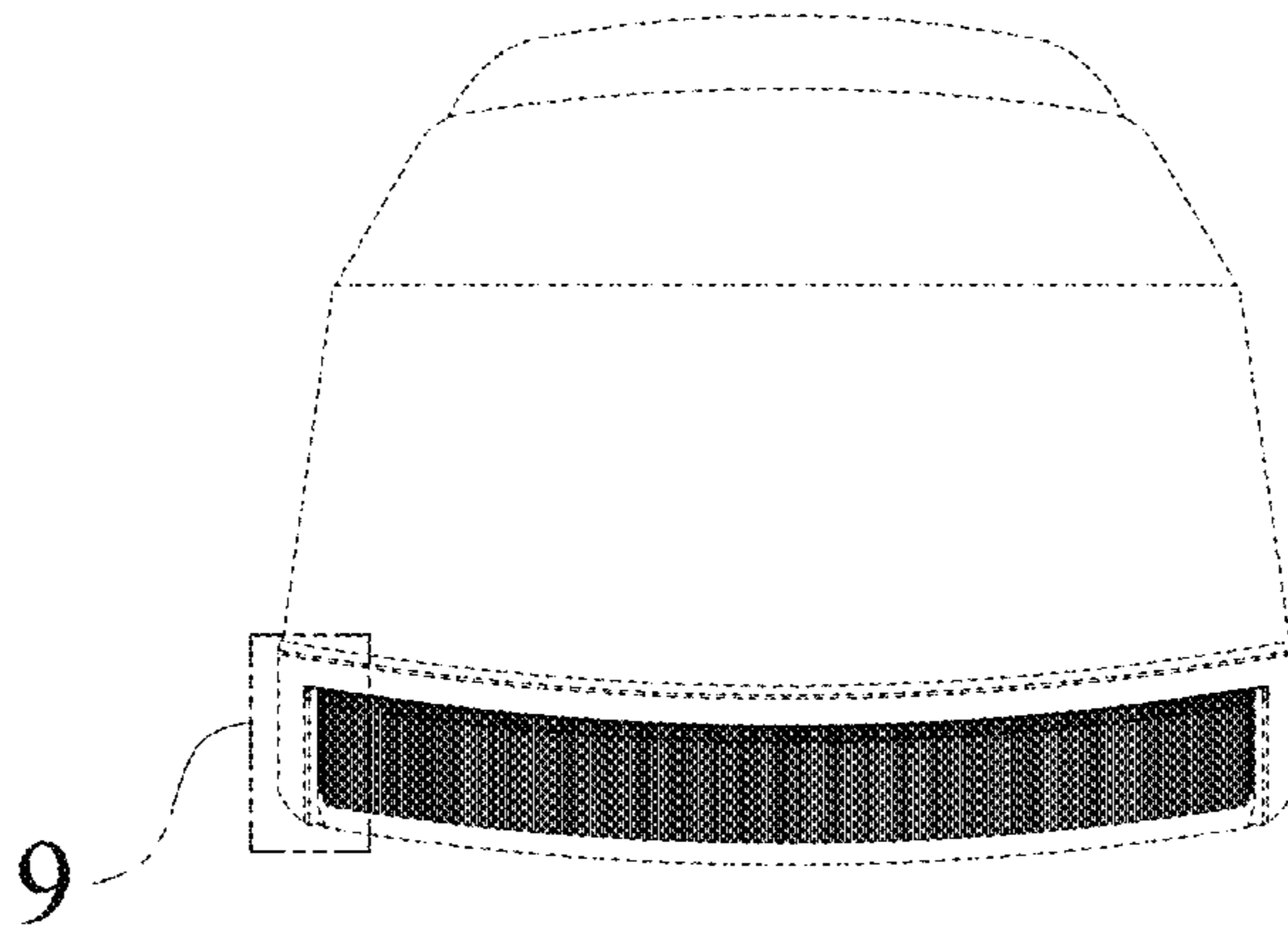


FIG. 7

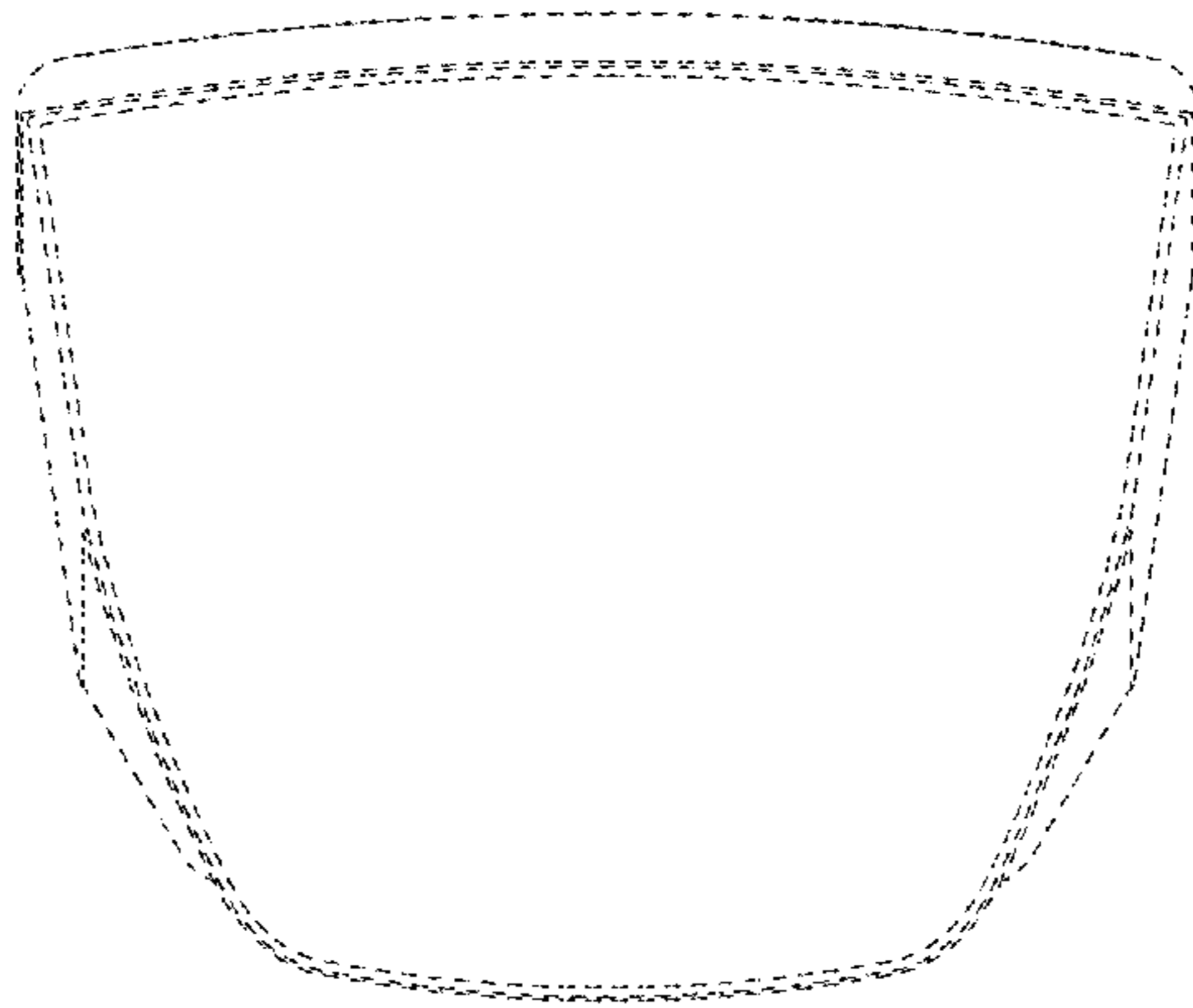


FIG. 8

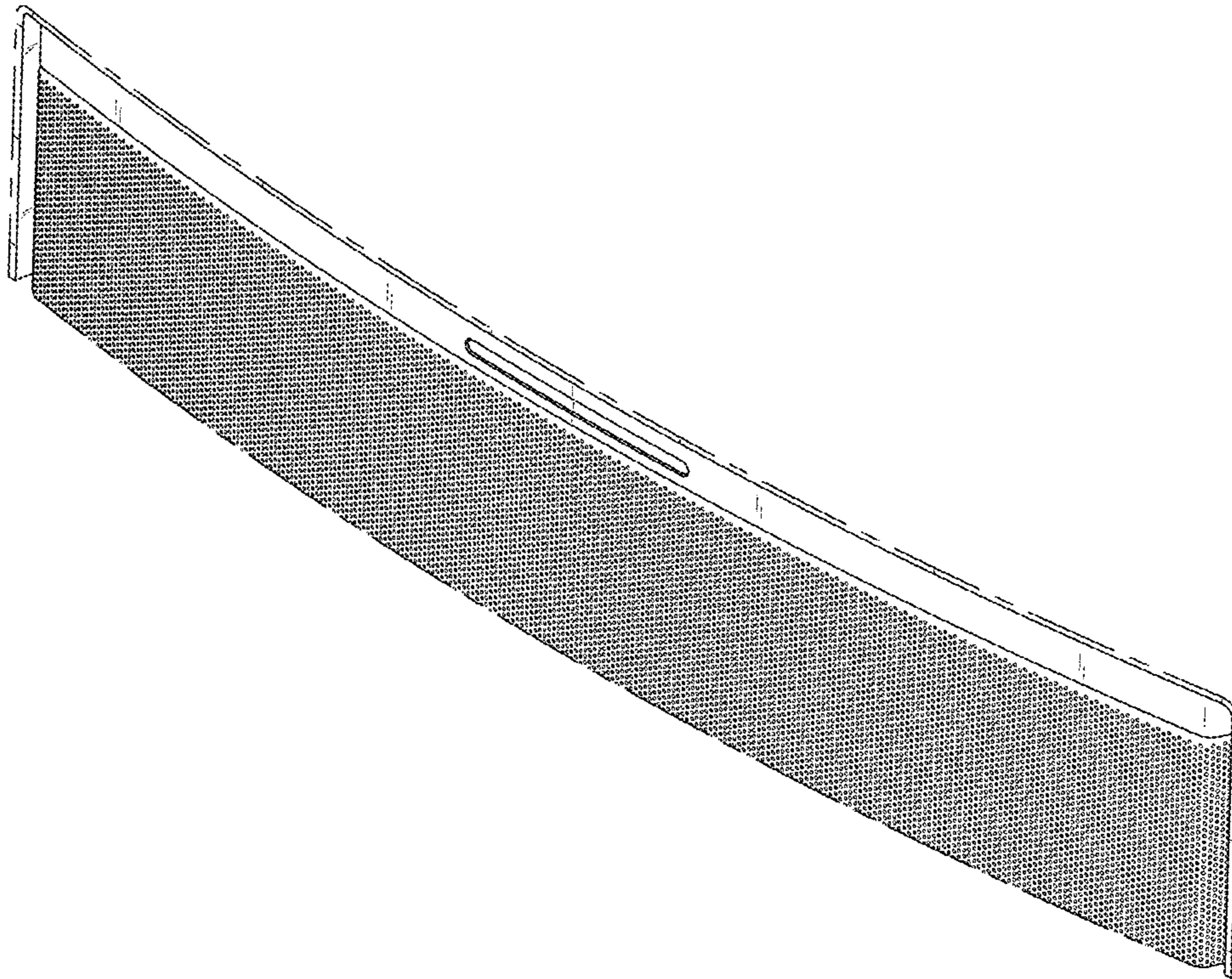


FIG. 9

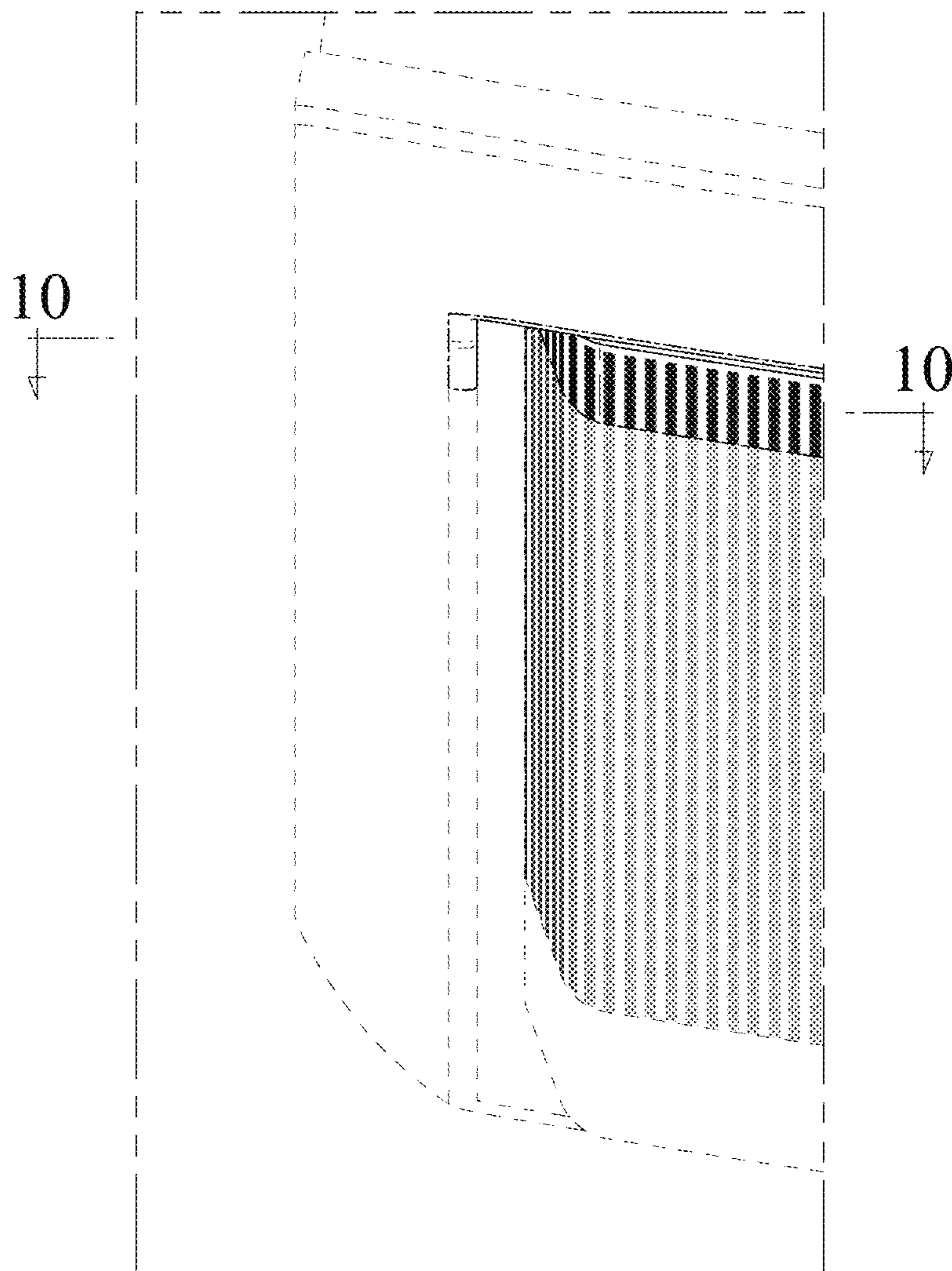


FIG. 10

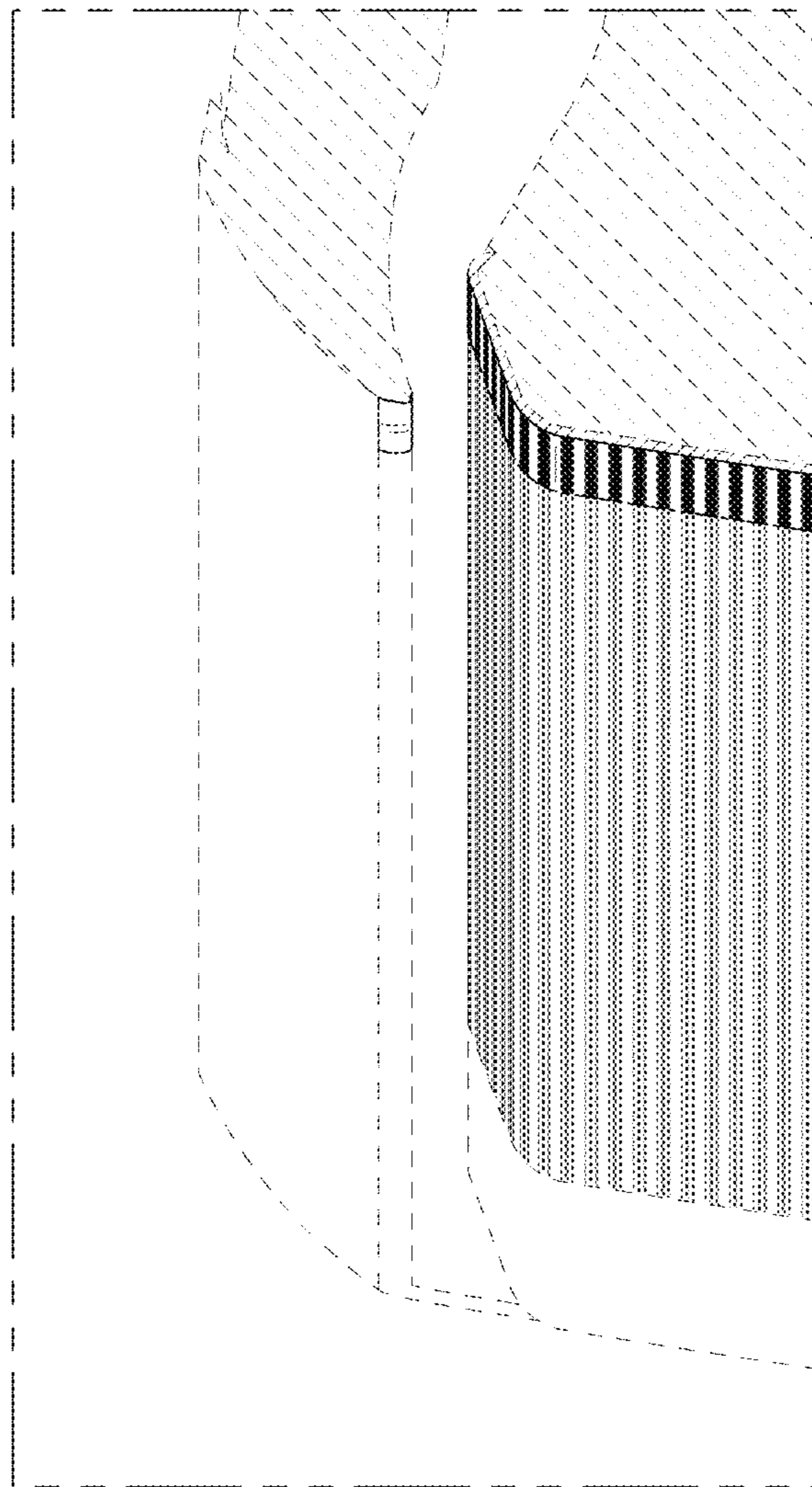


FIG. 11

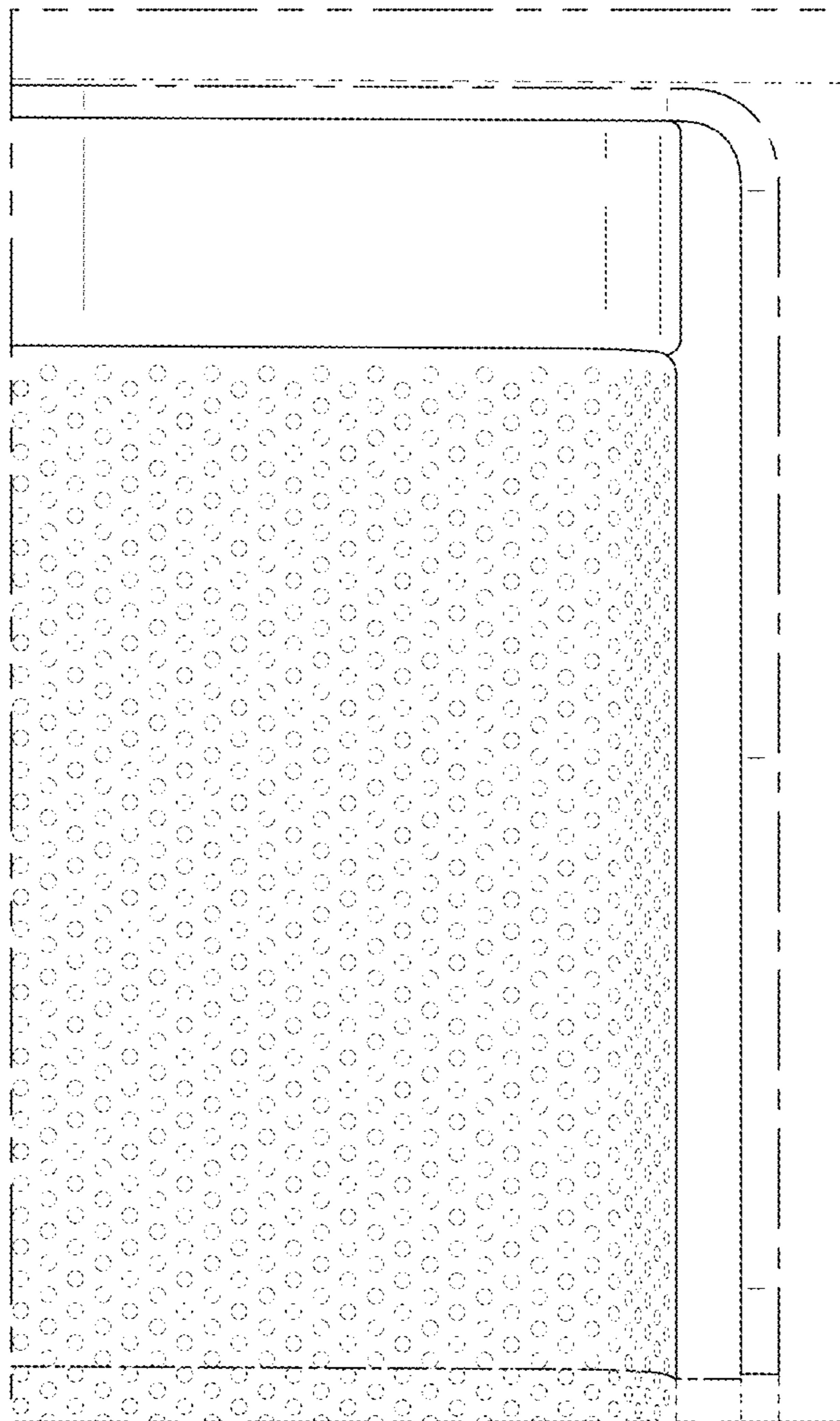


FIG. 12

