



US00D898172S

(12) **United States Design Patent**
Mösl et al.

(10) **Patent No.:** **US D898,172 S**
(45) **Date of Patent:** **** Oct. 6, 2020**

(54) **HEATER**

(71) Applicant: **Webasto SE**, Stockdorf (DE)

(72) Inventors: **Klaus Mösl**, Stockdorf (DE);
Christoph Jörg, Stockdorf (DE)

(73) Assignee: **WEBASTO SE**, Stockdorf (DE)

(**) Term: **15 Years**

(21) Appl. No.: **29/666,981**

(22) Filed: **Oct. 17, 2018**

(51) **LOC (12) Cl.** **23-03**

(52) **U.S. Cl.**

USPC **D23/335**

(58) **Field of Classification Search**

USPC D23/342, 324, 332, 314, 335

CPC F24H 3/0429; F24H 3/0423; F24H 9/02

See application file for complete search history.

(56) **References Cited**

U.S. PATENT DOCUMENTS

- 3,779,229 A * 12/1973 Volbehr B60H 1/2209
126/110 B
- 4,688,718 A * 8/1987 Galtz B60H 1/2212
126/110 B
- 5,404,652 A * 4/1995 Sher A47K 10/48
34/90

- D576,718 S * 9/2008 Nomi D23/332
- 2008/0302351 A1* 12/2008 Hunter F24H 3/0488
126/110 B
- 2012/0180452 A1* 7/2012 Caine B60H 1/025
60/273

* cited by examiner

Primary Examiner — Ania Aman

(74) *Attorney, Agent, or Firm* — Fitch, Even, Tabin & Flannery, LLP

(57) **CLAIM**

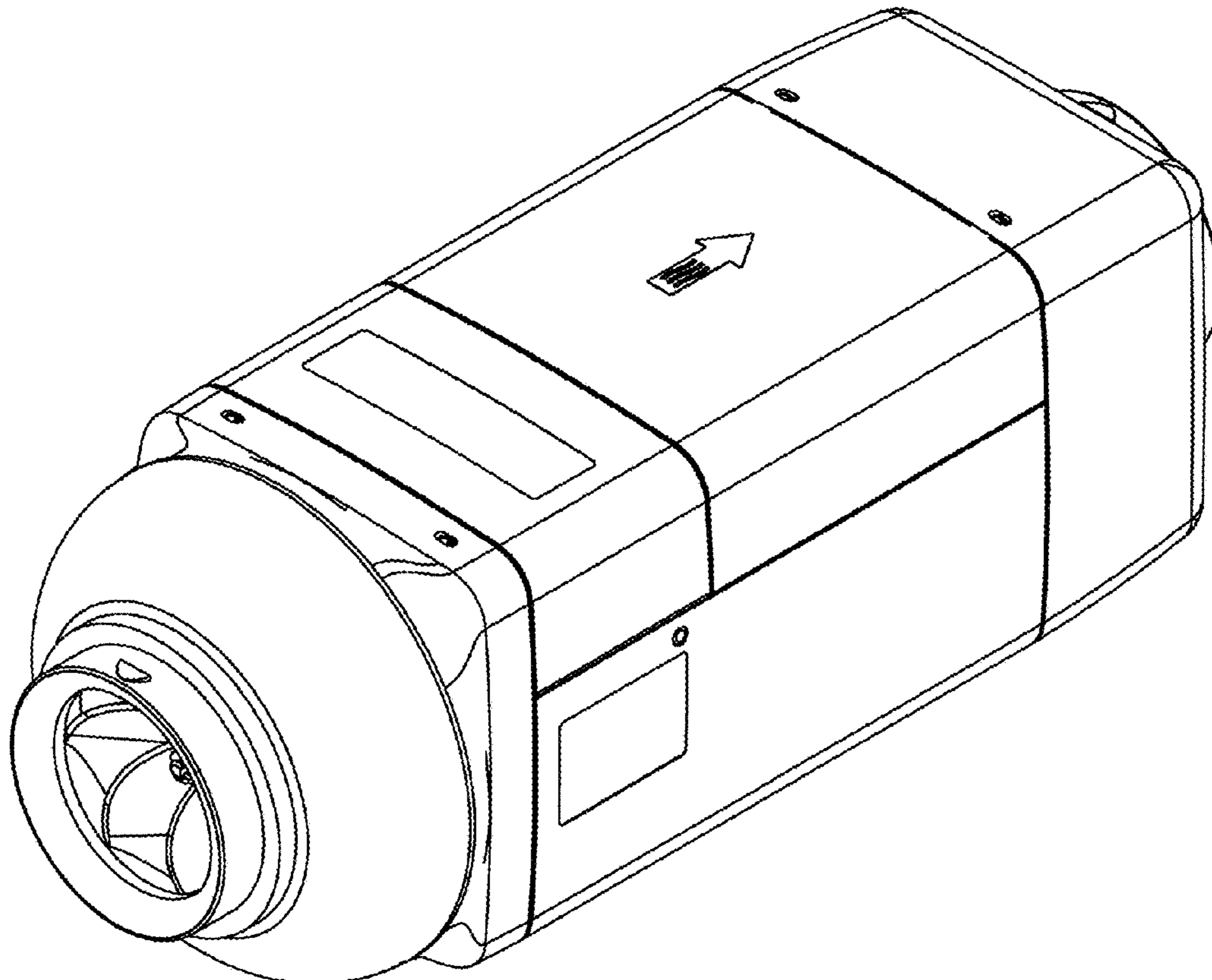
The ornamental design for a heater, as shown and described.

DESCRIPTION

FIG. 1 is a perspective view of the heater design;
 FIG. 2 is a left side elevation view of the design shown in FIG. 1;
 FIG. 3 is a right side elevation view of the design shown in FIG. 1;
 FIG. 4 is a top plan view of the design shown in FIG. 1;
 FIG. 5 is a bottom plan view of the design shown in FIG. 1;
 FIG. 6 is a front elevation view of the design shown in FIG. 1; and,
 FIG. 7 is a rear elevation view of the design shown in FIG. 1.

The broken lines shown in the views depict environmental subject matter only and form no part of the claimed design.

1 Claim, 7 Drawing Sheets



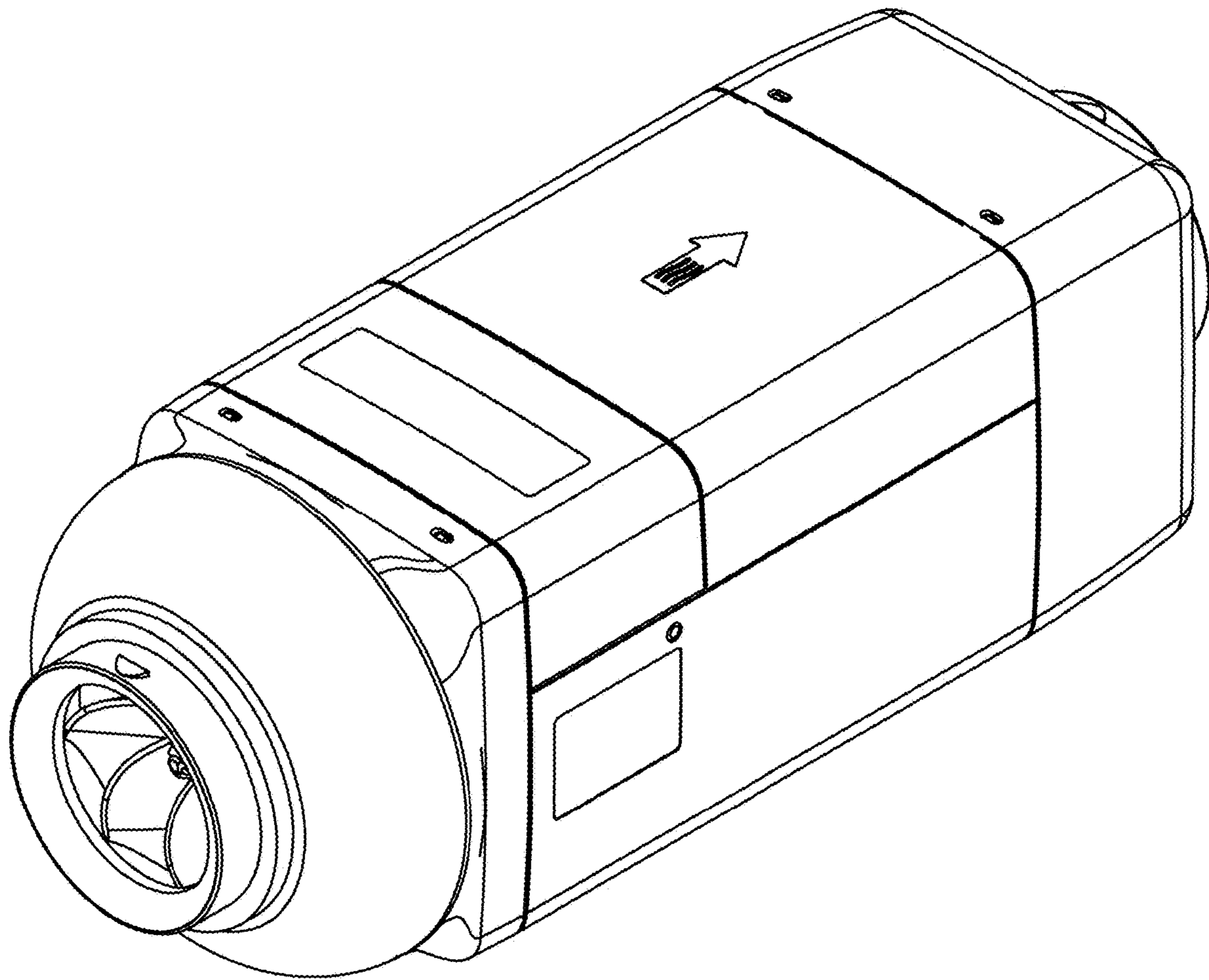


Figure 1

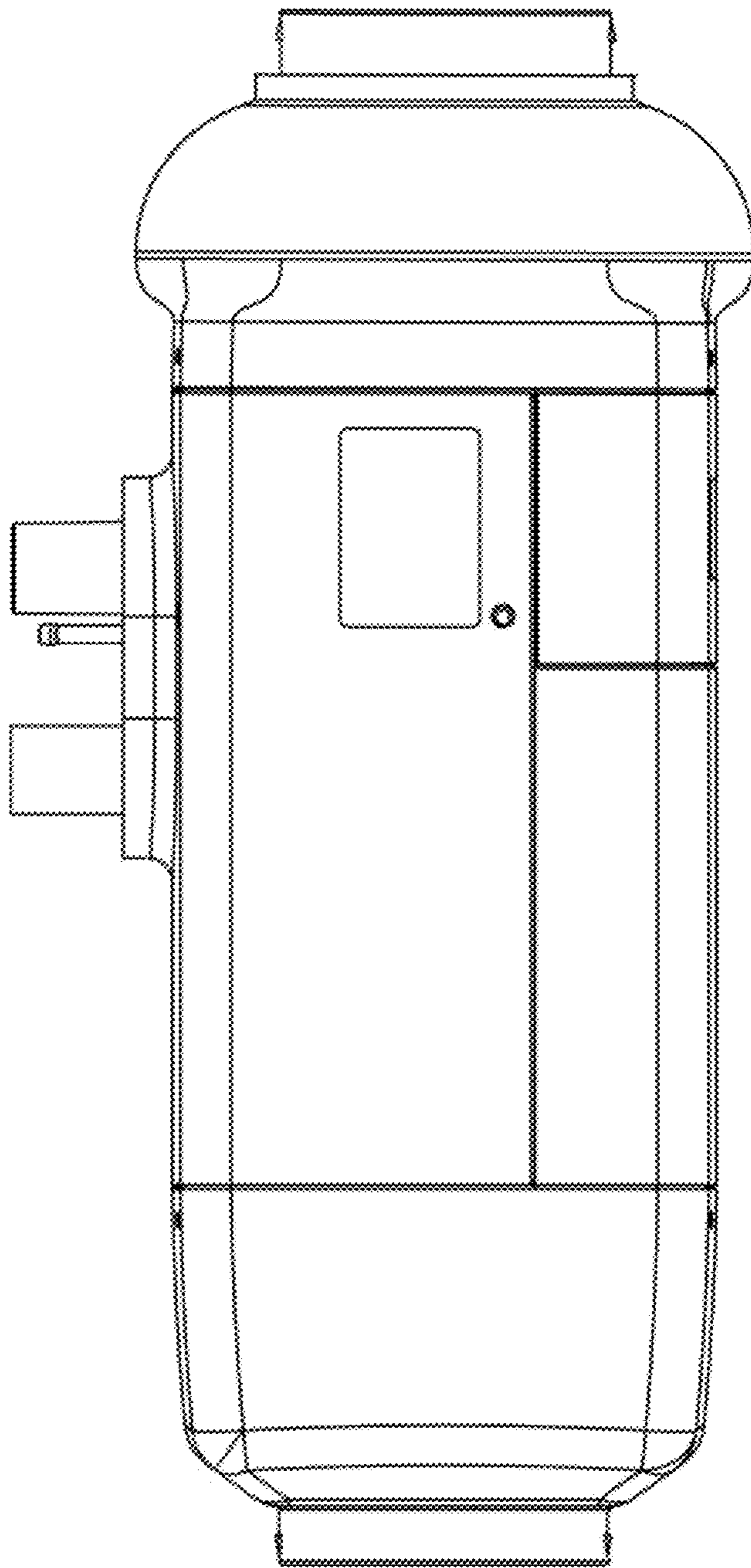


Figure 2

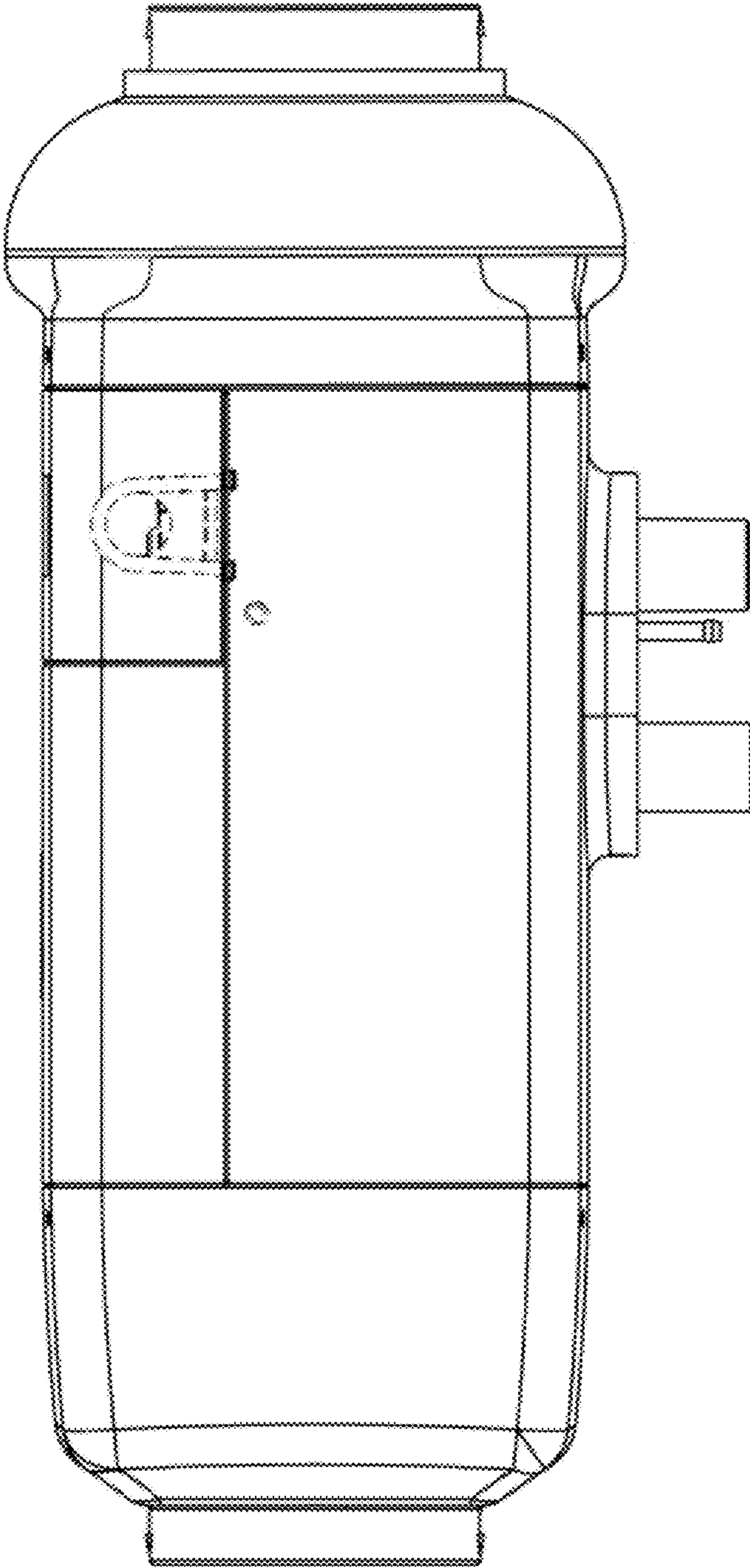


Figure 3

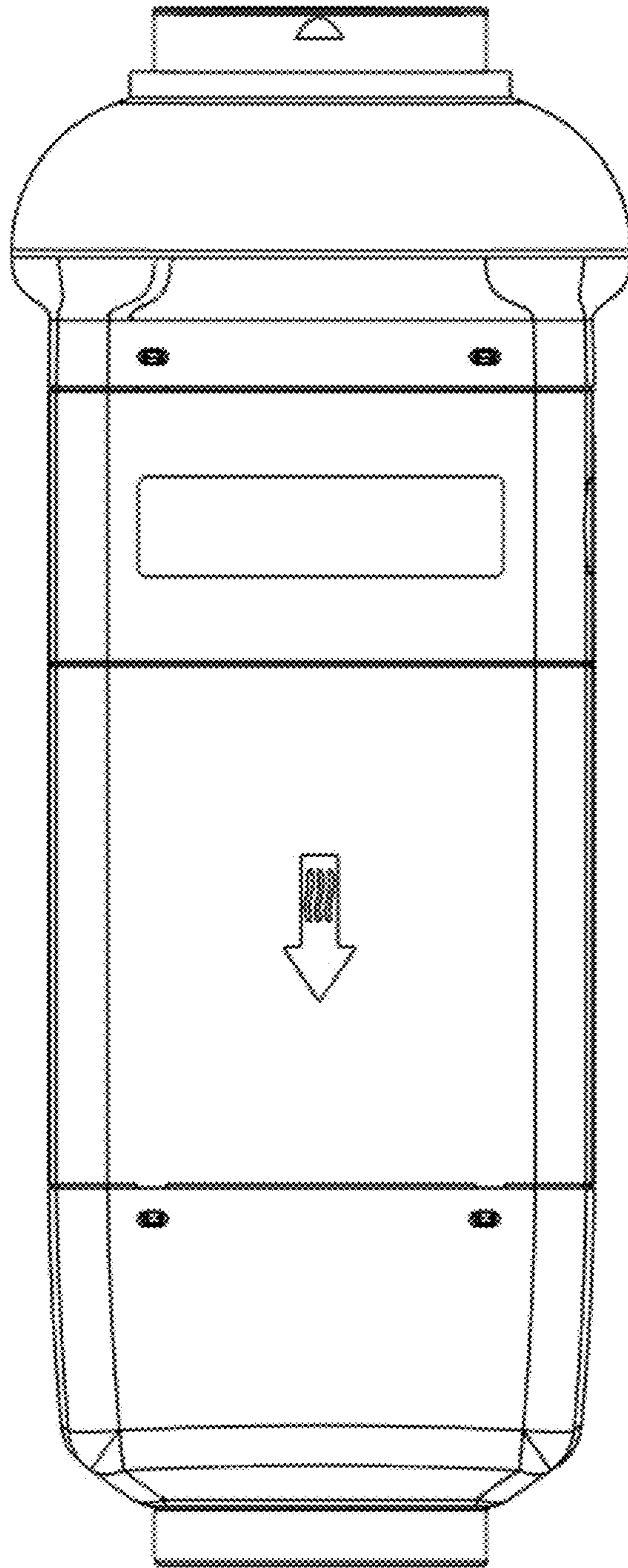


Figure 4

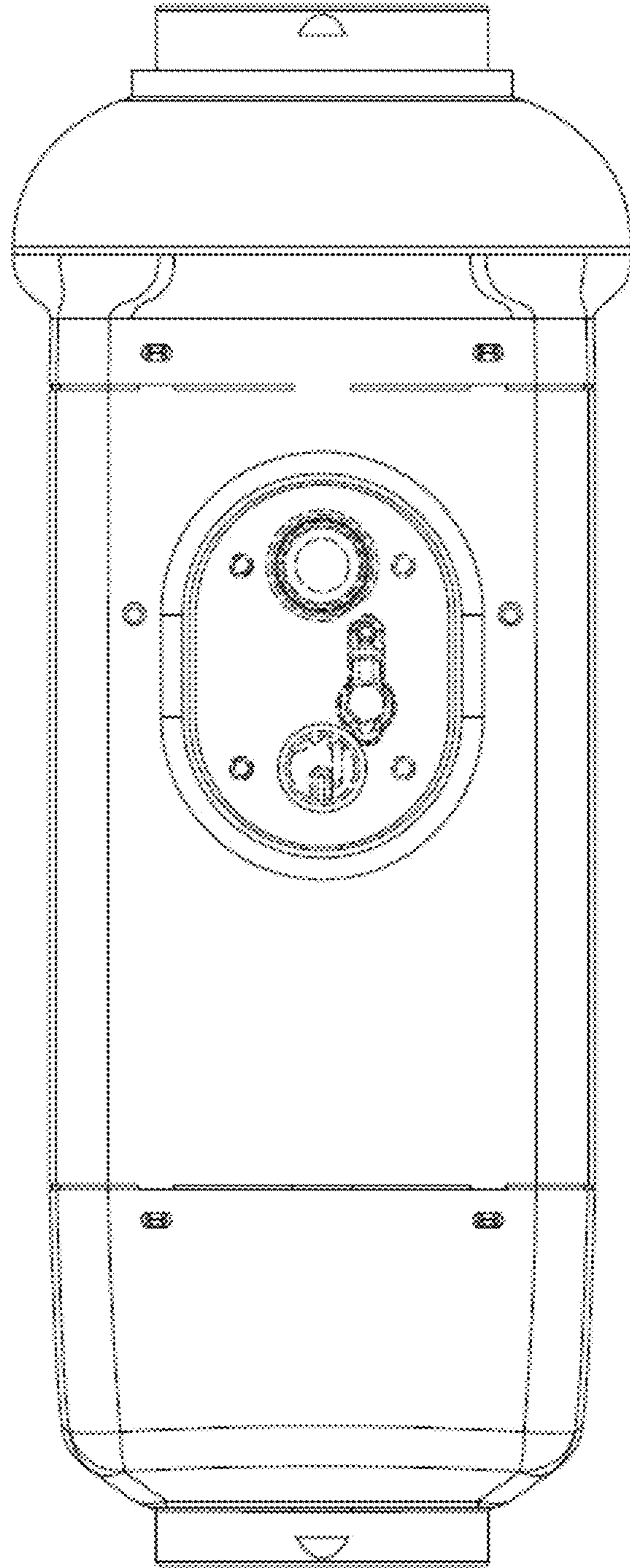


Figure 5

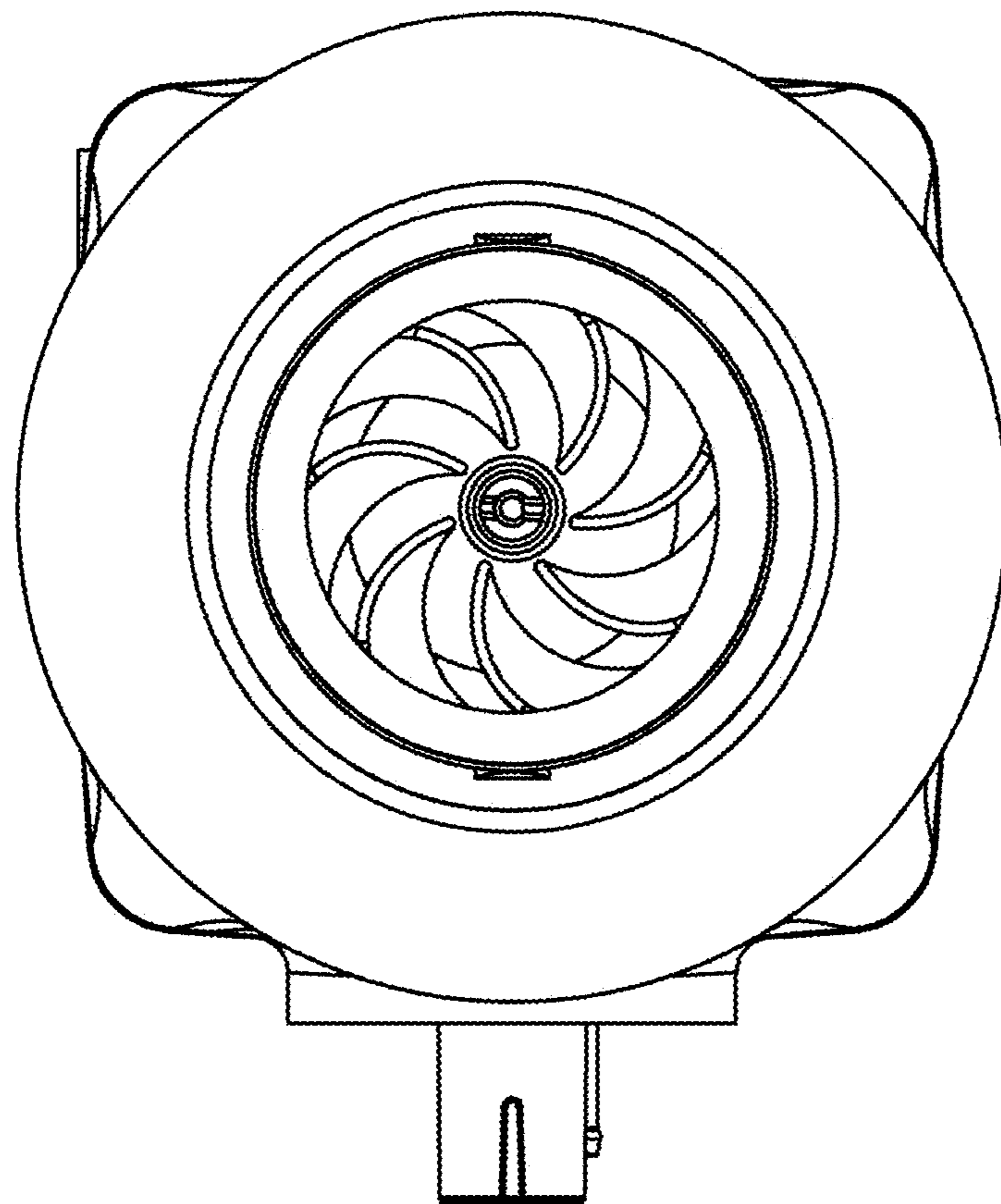


Figure 6

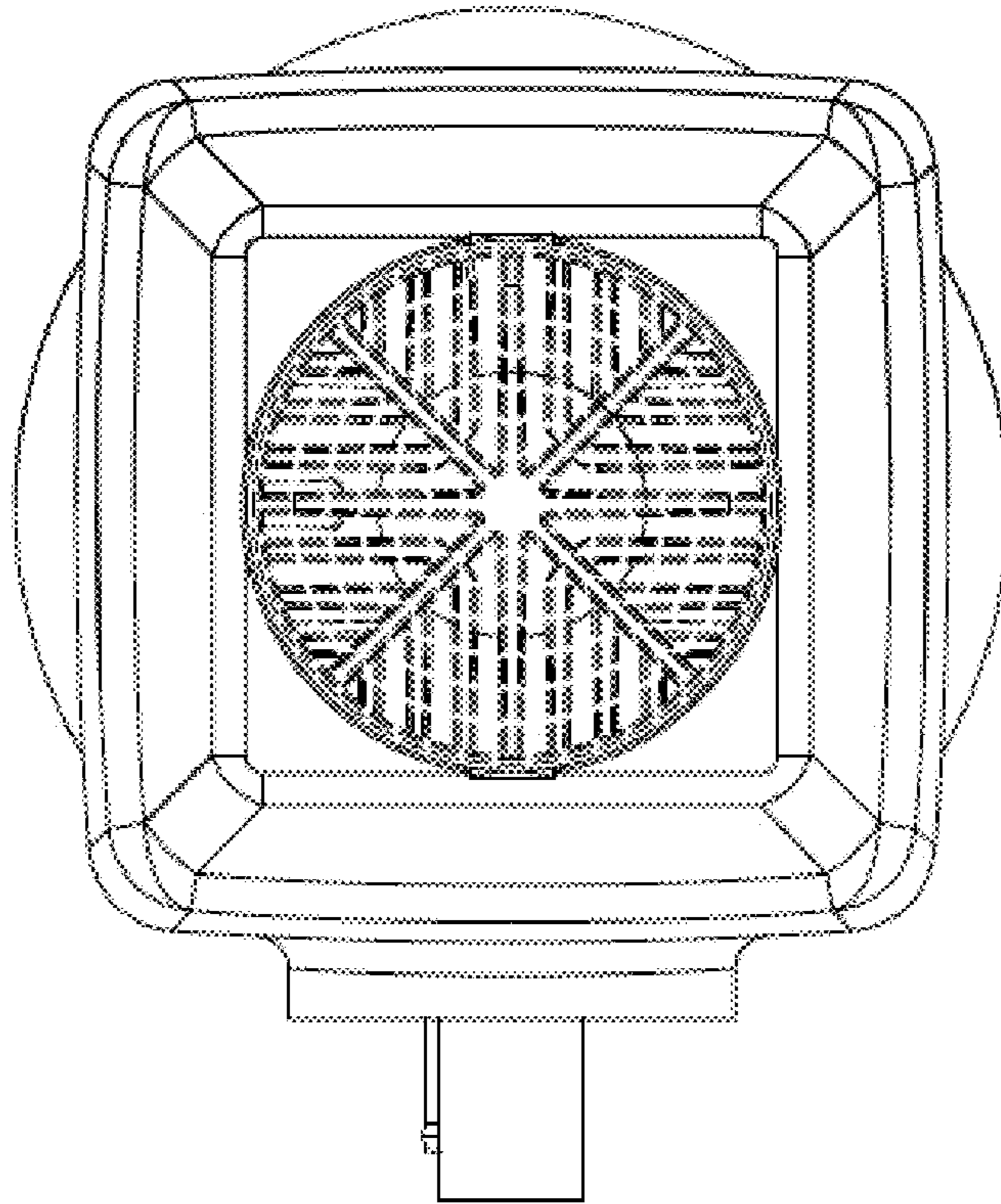


Figure 7

UNITED STATES PATENT AND TRADEMARK OFFICE
CERTIFICATE OF CORRECTION

PATENT NO. : D898,172 S
APPLICATION NO. : 29/666981
DATED : October 6, 2020
INVENTOR(S) : Klaus Mösl and Christoph Jörg

Page 1 of 1

It is certified that error appears in the above-identified patent and that said Letters Patent is hereby corrected as shown below:

On the Title Page

Item (30) Under Foreign Application Priority Data:
Insert -- October 11, 2018 (EUIPO) 005795689-0001 --

Signed and Sealed this
Nineteenth Day of October, 2021



Drew Hirshfeld
*Performing the Functions and Duties of the
Under Secretary of Commerce for Intellectual Property and
Director of the United States Patent and Trademark Office*