



US00D898169S

(12) **United States Design Patent** (10) **Patent No.:** **US D898,169 S**
Cassano et al. (45) **Date of Patent:** **** Oct. 6, 2020**

- (54) **GASKET ARRANGEMENT**
- (71) Applicant: **Keurig Green Mountain, Inc.**,
Burlington, MA (US)
- (72) Inventors: **Robert Dana Cassano**, Natick, MA
(US); **Blair Mikkelsen**, Chelmsford,
MA (US); **Joseph George Fucci**,
Amherst, NH (US)
- (73) Assignee: **Keurig Green Mountain, Inc.**,
Burlington, MA (US)
- (**) Term: **15 Years**
- (21) Appl. No.: **29/668,476**
- (22) Filed: **Oct. 30, 2018**
- (51) **LOC (12) Cl.** **23-01**
- (52) **U.S. Cl.**
USPC **D23/269**
- (58) **Field of Classification Search**
USPC D23/269, 262, 249, 259; D15/138-139,
D15/143; 277/351-360, 504, 563, 572,
277/316, 364-365, 394, 397, 406-407,
277/418, 449, 451-454, 458-460, 491,
277/517, 529, 602, 610, 612, 641-642,
277/644, 648; 285/339, 343; D7/213,
D7/399, 306, 309, 311
CPC E04D 13/14; F16J 7/00
See application file for complete search history.

- 2014/0284333 A1 9/2014 Poon et al.
- 2015/0008651 A1* 1/2015 Koyama B60T 17/00
277/641
- 2016/0229677 A1* 8/2016 Girault B67D 1/0034
- 2017/0258265 A1 9/2017 Trombetta et al.
- 2017/0303733 A1* 10/2017 Balkau A47J 31/469

FOREIGN PATENT DOCUMENTS

- CN 203252455 U 10/2013
- WO WO 2002/074144 A2 9/2002

OTHER PUBLICATIONS

Invitation to Pay Additional Fees dated Feb. 25, 2020 in connection with International Application No. PCT/US2019/058718.

* cited by examiner

Primary Examiner — Amy C Wierenga
(74) *Attorney, Agent, or Firm* — Wolf, Greenfield & Sacks, P.C.

(57) **CLAIM**

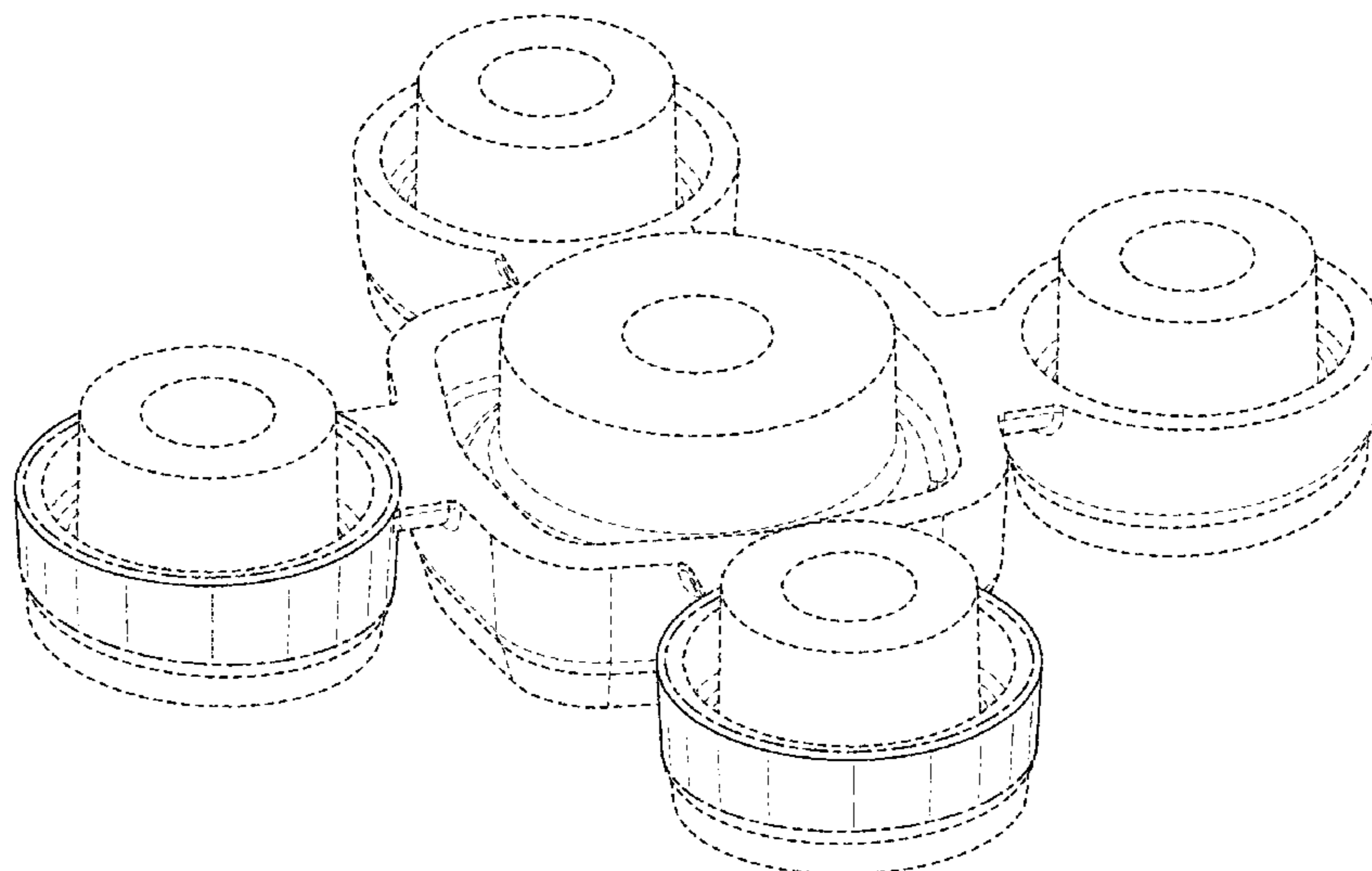
The ornamental design for a gasket arrangement, as shown and described.

DESCRIPTION

FIG. 1 is a top, left side perspective view of a gasket arrangement;
FIG. 2 is a top plan view thereof;
FIG. 3 is a bottom plan view thereof;
FIG. 4 is a front view thereof, the rear view being a mirror image of the front view;
FIG. 5 is a left side view thereof;
FIG. 6 is a right side view thereof; and,
FIG. 7 is a bottom, left side perspective view thereof.
The long dash-short dash lines represent the bounds of the claimed design. The broken lines shown illustrate portions of the gasket arrangement that form no part of the claimed design.

1 Claim, 6 Drawing Sheets

- (56) **References Cited**
U.S. PATENT DOCUMENTS
6,607,762 B2 8/2003 Lazaris et al.
6,644,173 B2* 11/2003 Lazaris A47J 31/3628
99/295
D613,061 S 4/2010 LeBoeuf
9,084,509 B2* 7/2015 Tanner A47J 31/3695
D807,726 S* 1/2018 Kodgule D8/349
9,867,493 B2 1/2018 Novak et al.
10,011,421 B2 7/2018 Bartoli et al.
D837,054 S* 1/2019 Mallahan, III D9/443



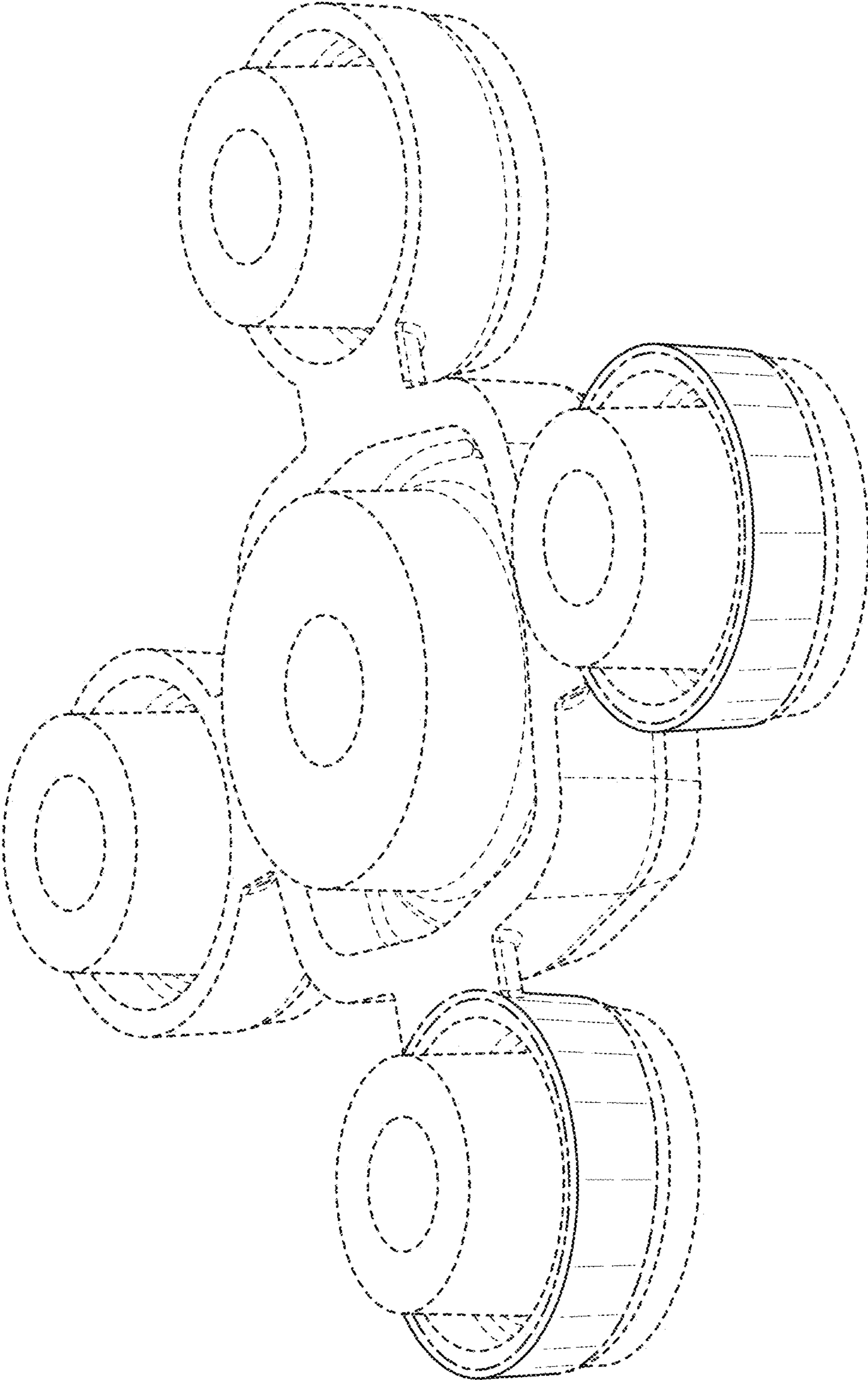


FIG. 1

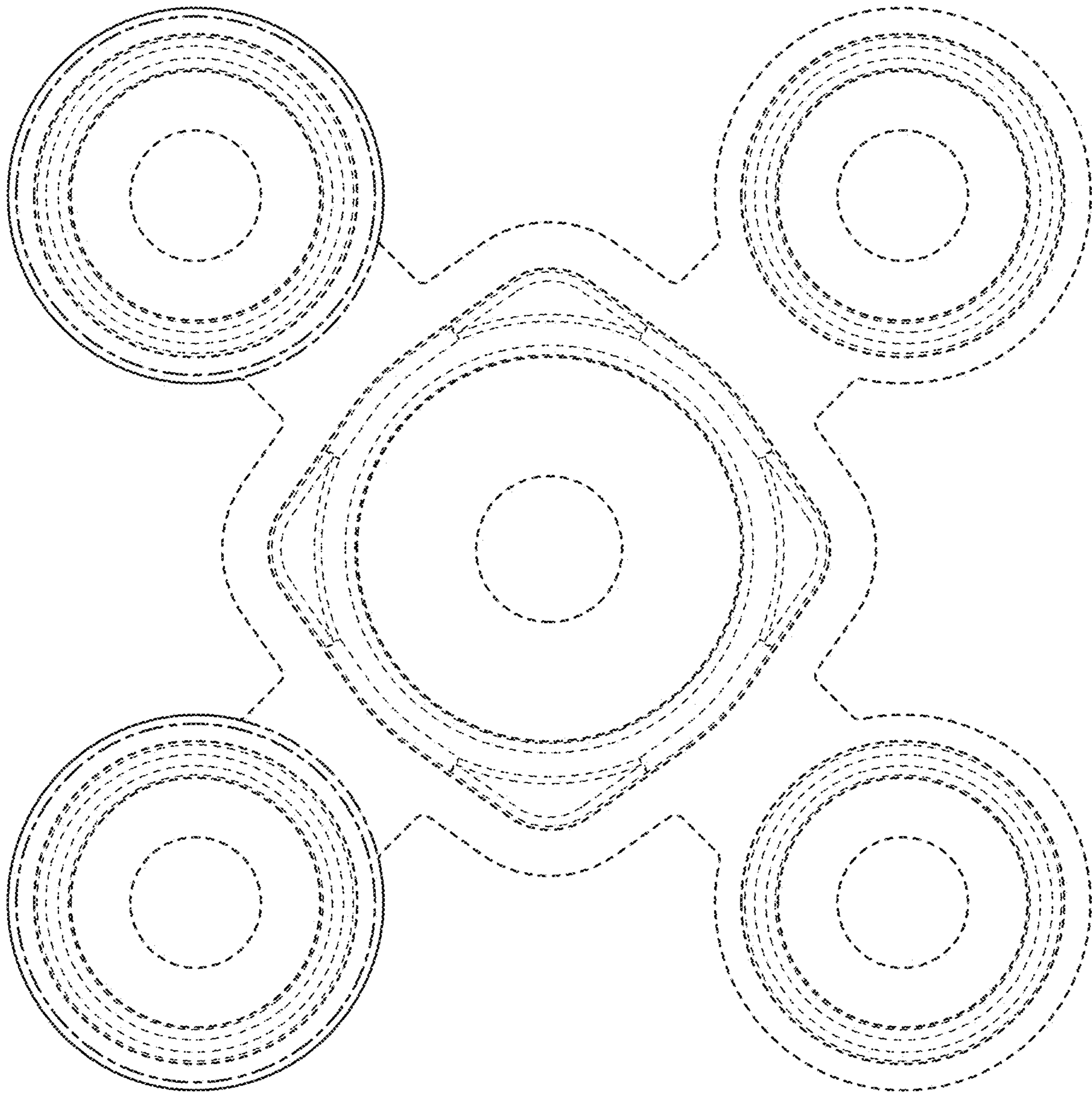


FIG. 2

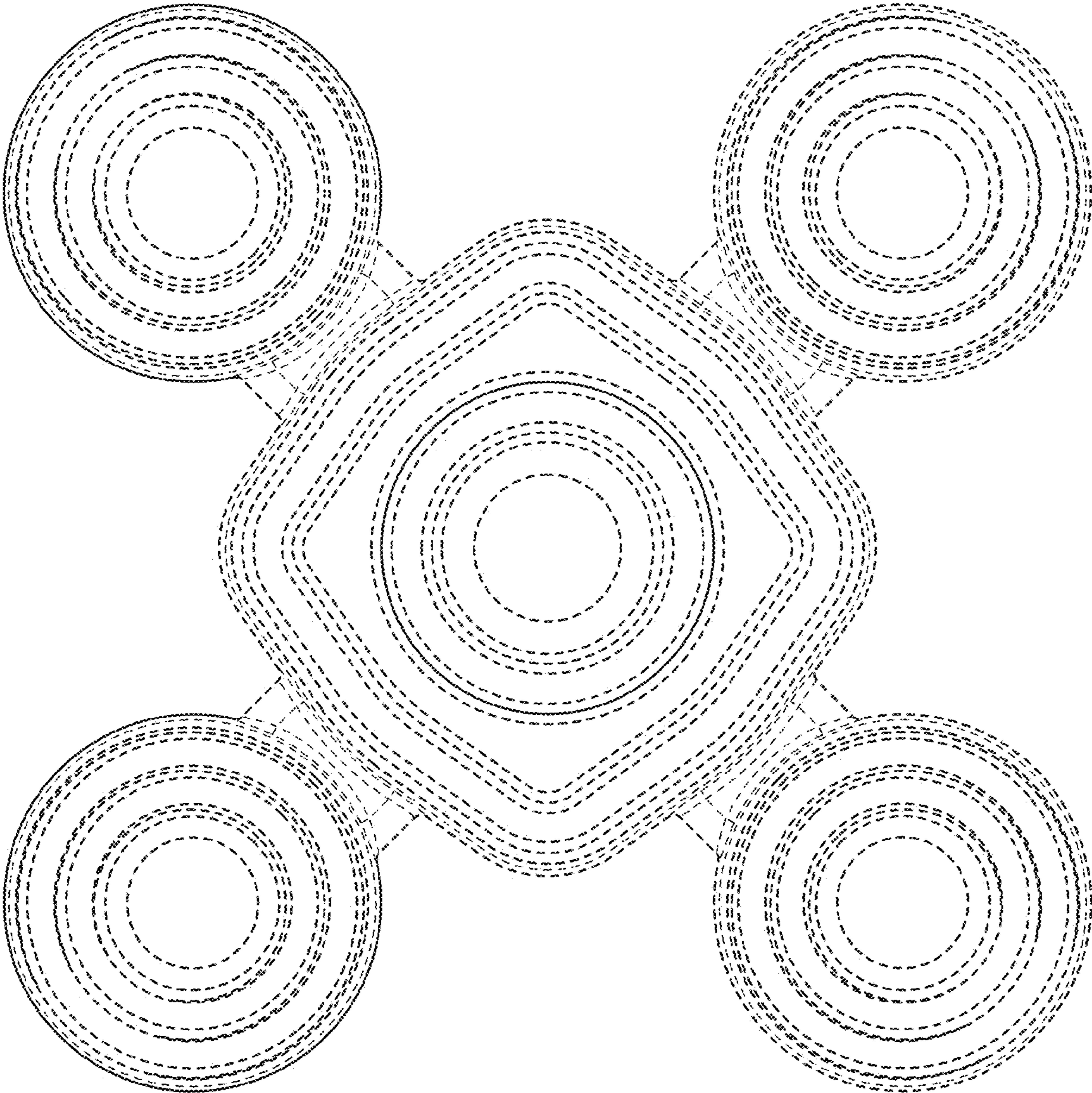


FIG. 3

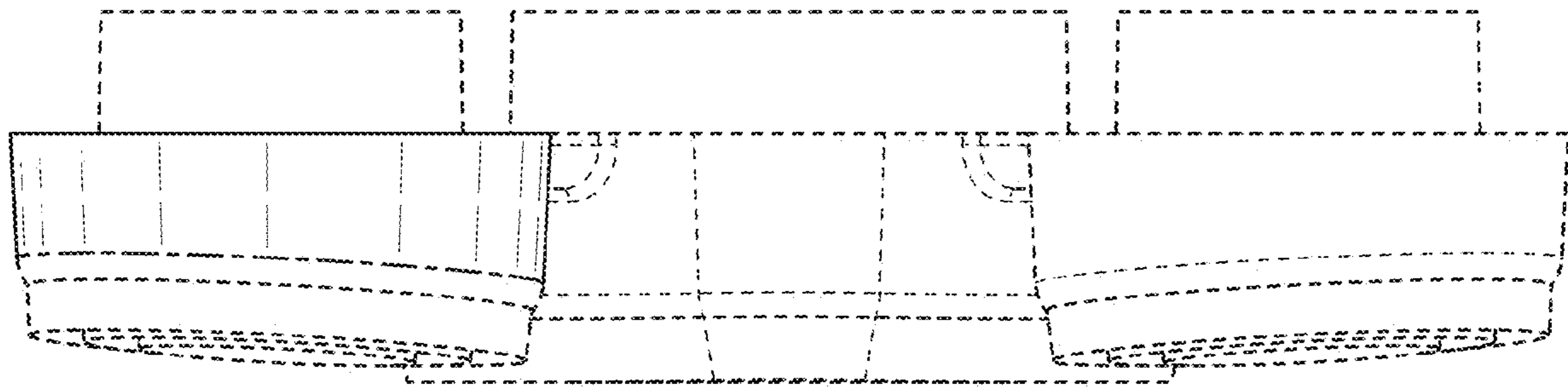


FIG. 4

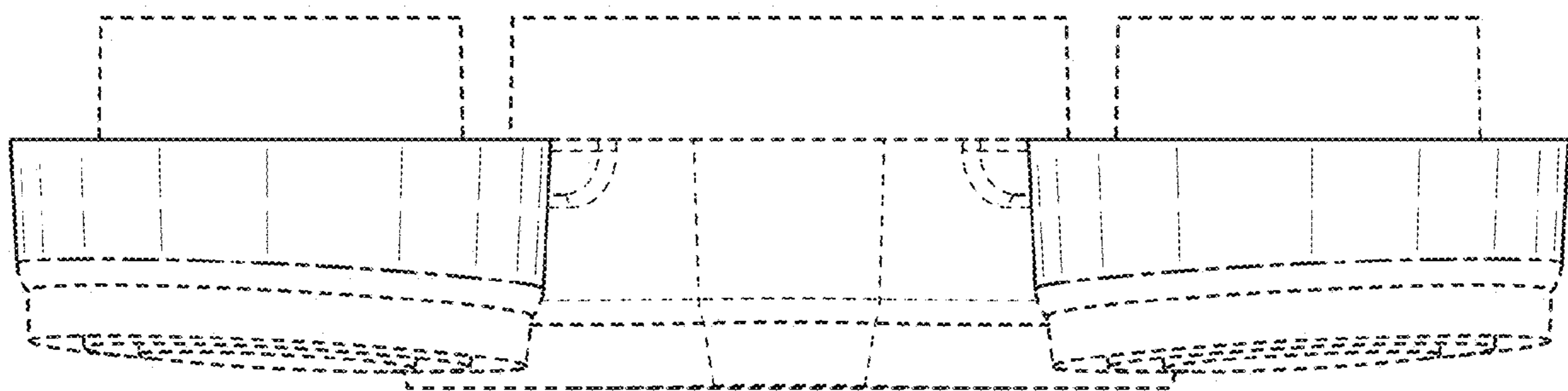


FIG. 5

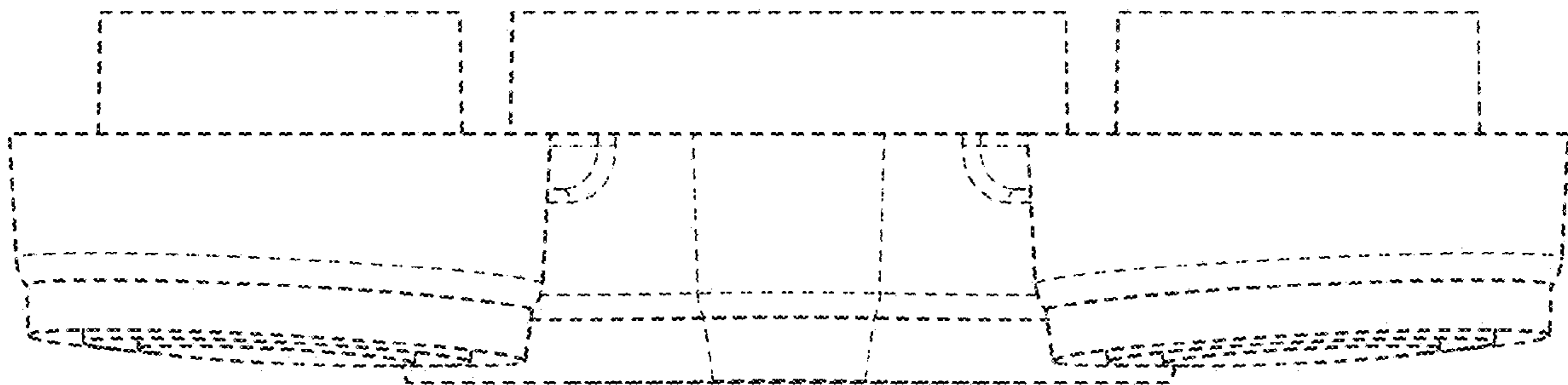


FIG. 6

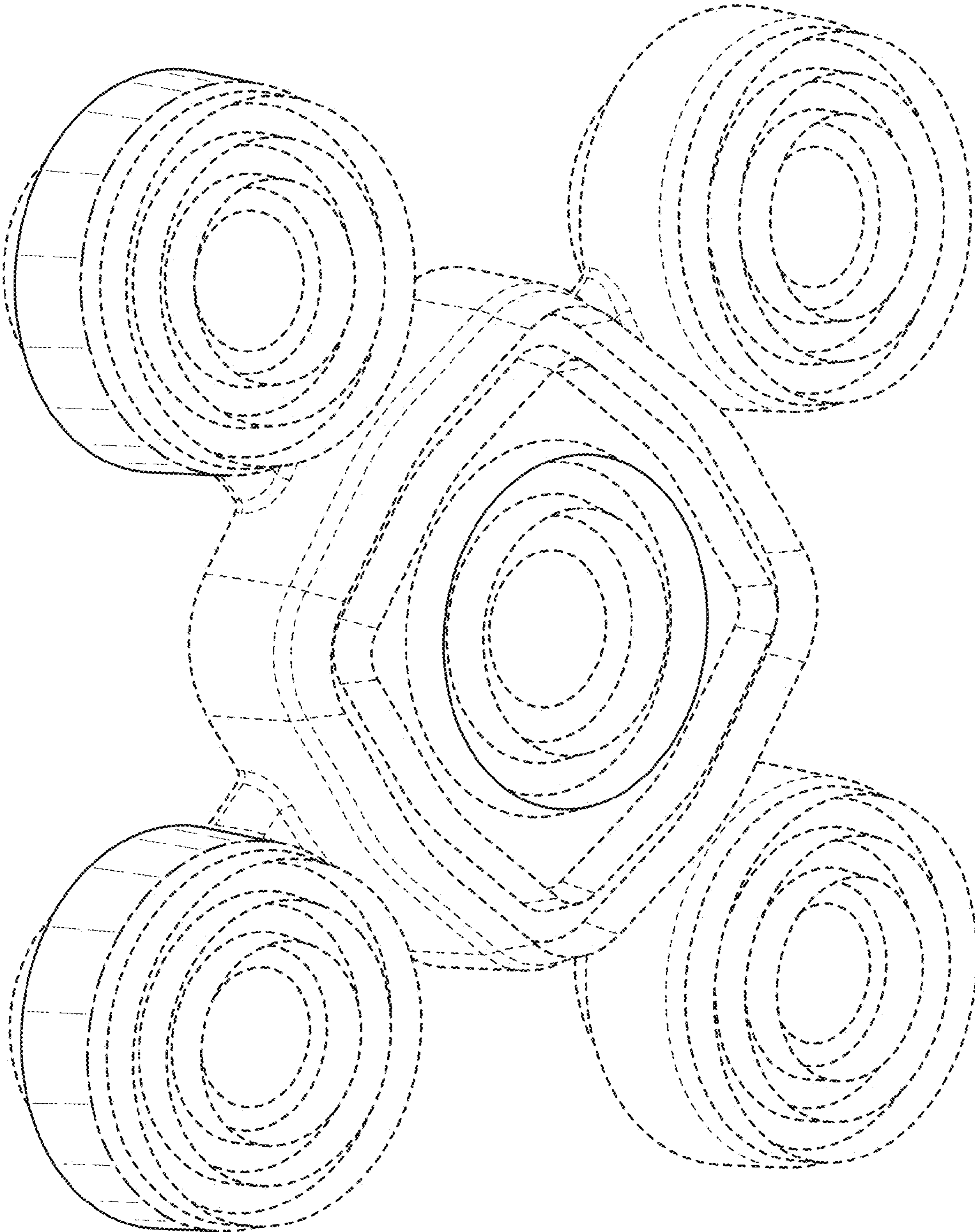


FIG. 7