

US00D898168S

(12) **United States Design Patent**  
**Wagaman**

(10) **Patent No.:** **US D898,168 S**

(45) **Date of Patent:** **\*\* Oct. 6, 2020**

(54) **PATIO COVER GUTTER**

(71) Applicant: **Clark R. Wagaman**, Folsom, CA (US)

(72) Inventor: **Clark R. Wagaman**, Folsom, CA (US)

(73) Assignee: **CLARK WACAMAN DESIGNS**,  
Sacramento, CA (US)

(\*\*) Term: **15 Years**

(21) Appl. No.: **29/651,559**

(22) Filed: **Sep. 10, 2018**

(51) **LOC (12) Cl.** ..... **23-01**

(52) **U.S. Cl.**  
USPC ..... **D23/267**

(58) **Field of Classification Search**  
USPC ..... D23/259–261, 267–268, 393; D25/119,  
D25/121–124, 133, 139, 141–143;  
52/11–16, 302.1, 302.6  
CPC ..... E02D 31/00  
See application file for complete search history.

(56) **References Cited**

**U.S. PATENT DOCUMENTS**

- 3,417,519 A \* 12/1968 Hitter ..... E04D 13/158  
52/11
- 4,987,717 A \* 1/1991 Dameron, Jr. .... E04B 7/00  
52/11
- 5,315,090 A \* 5/1994 Lowenthal ..... E04D 13/064  
219/213
- 5,345,727 A \* 9/1994 McCrea ..... E04D 13/064  
52/11

- D459,007 S \* 6/2002 Campacci ..... D25/119
- 8,776,480 B2 \* 7/2014 Kabel ..... E04D 13/17  
52/746.11
- D711,556 S \* 8/2014 Singh ..... D25/119
- D793,540 S \* 8/2017 Adams ..... D23/267
- D803,995 S \* 11/2017 Adams ..... D23/267

\* cited by examiner

*Primary Examiner* — Amy C Wierenga

(74) *Attorney, Agent, or Firm* — Mark C Jacobs

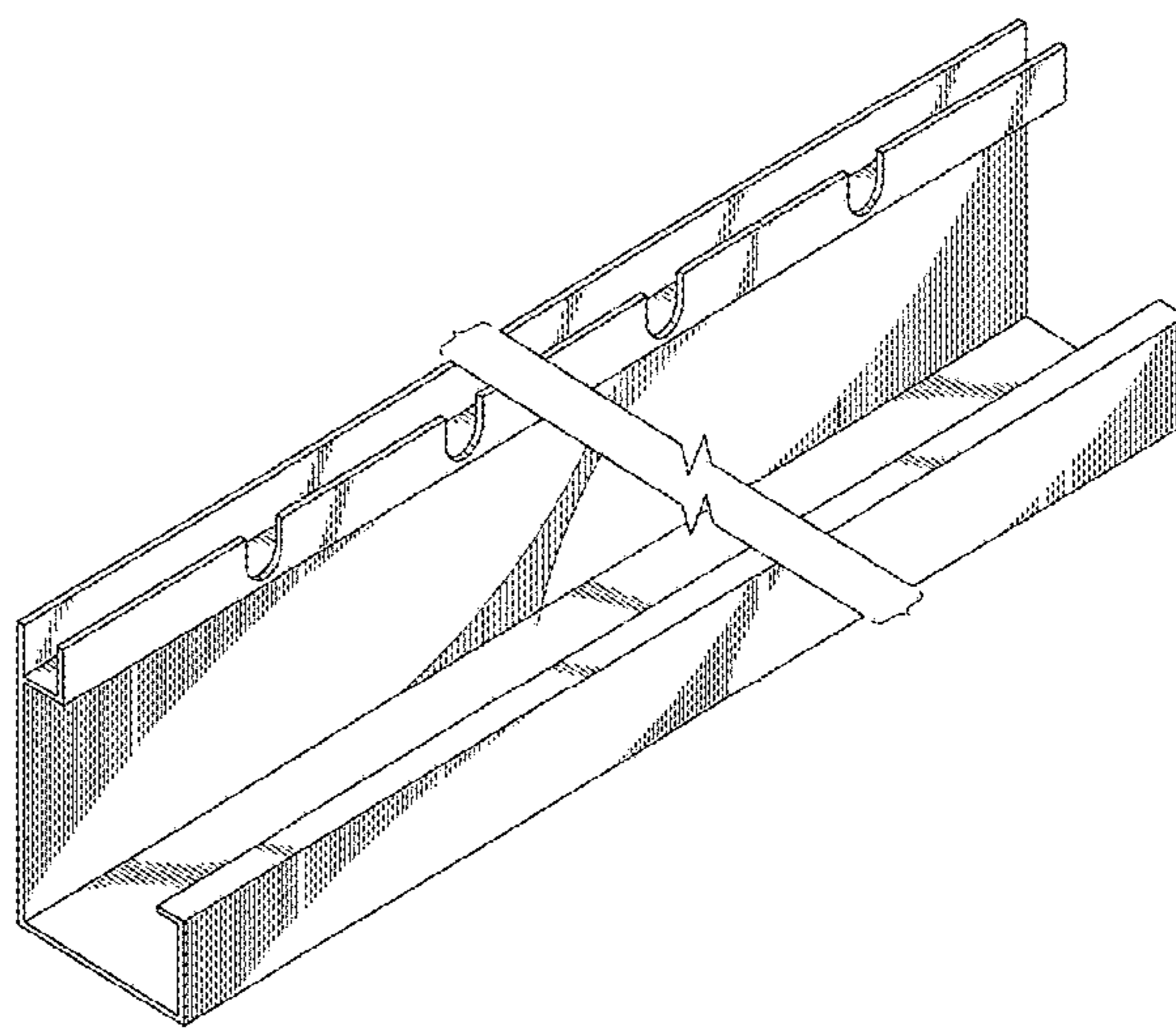
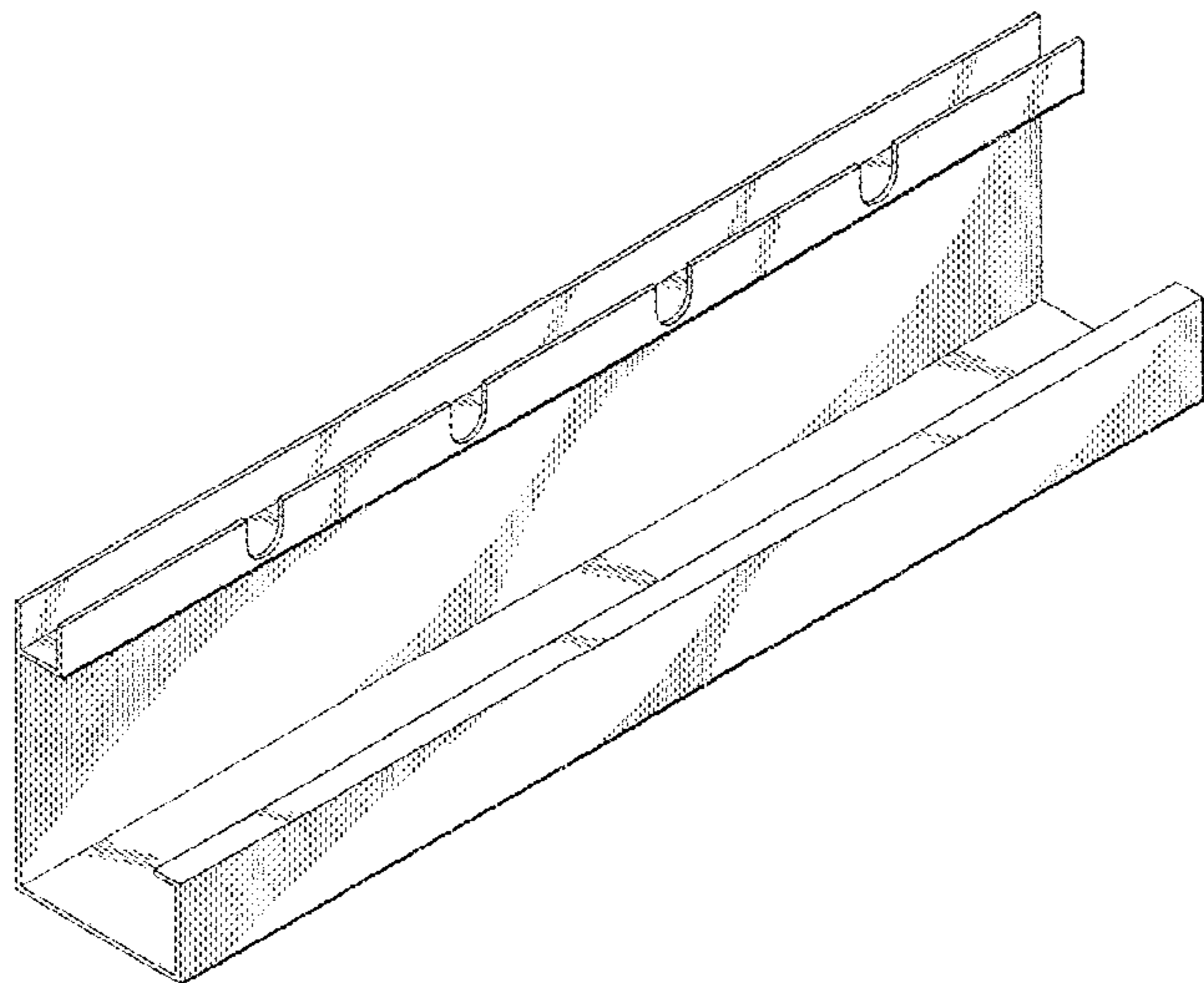
(57) **CLAIM**

The ornamental design for the patio cover gutter, as shown and described.

**DESCRIPTION**

FIG. 1 is a left end elevation view of a first embodiment of a patio cover gutter;  
 FIG. 2 is a front elevation view;  
 FIG. 3 is a right end elevation view;  
 FIG. 4 is a rear elevation view;  
 FIG. 5 is a bottom plan view;  
 FIG. 6 is a top plan view; and  
 FIG. 7 is a top interior perspective view; and,  
 FIG. 8 is a top interior perspective view of a second embodiment of a patio cover gutter.  
 The patio cover gutter shown in FIG. 8 is shown with a symbolic break in its length. The appearance of any portion of the patio cover gutter between the break lines forms no part of the claim.

**1 Claim, 5 Drawing Sheets**



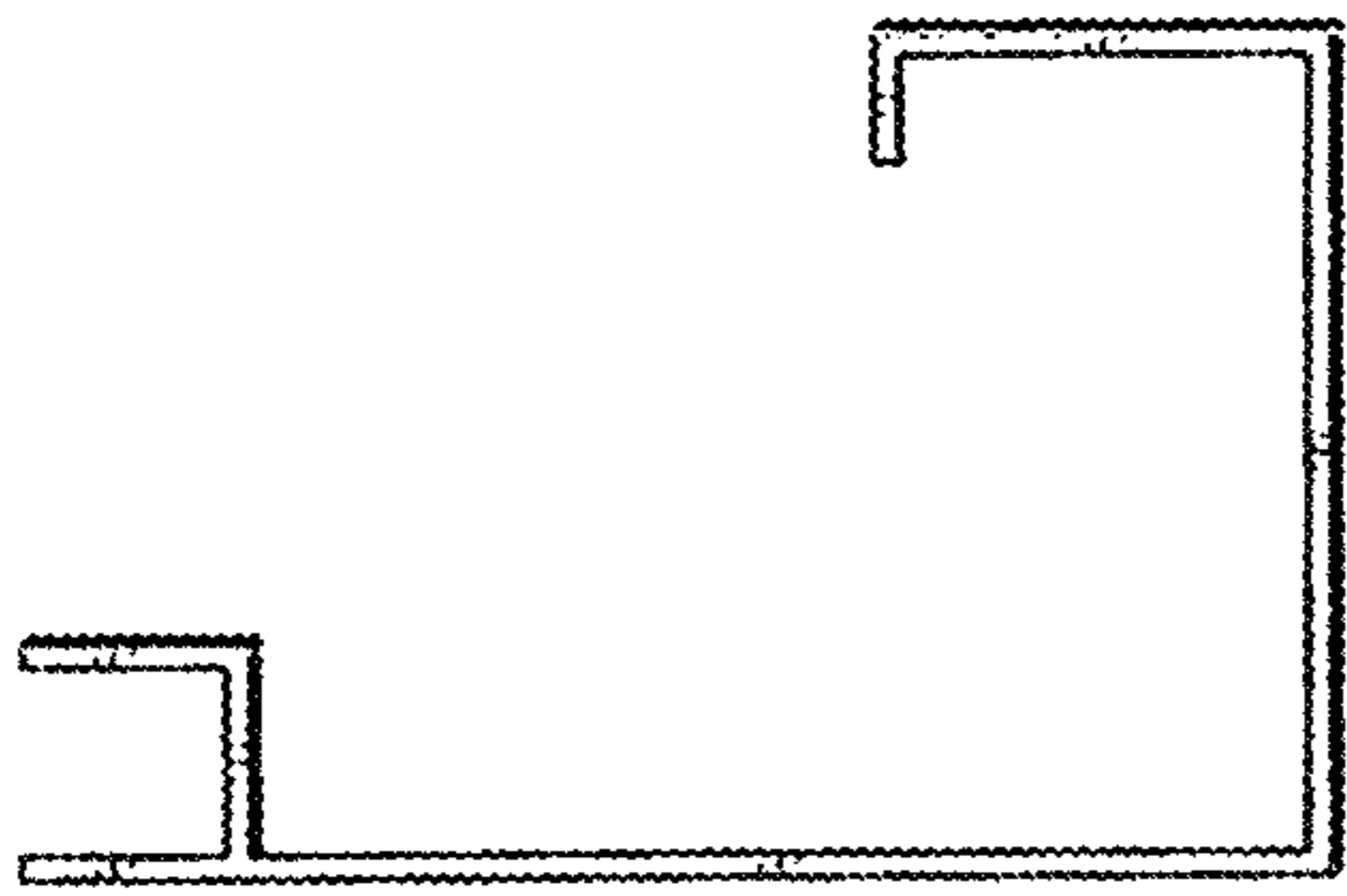


FIG. 1

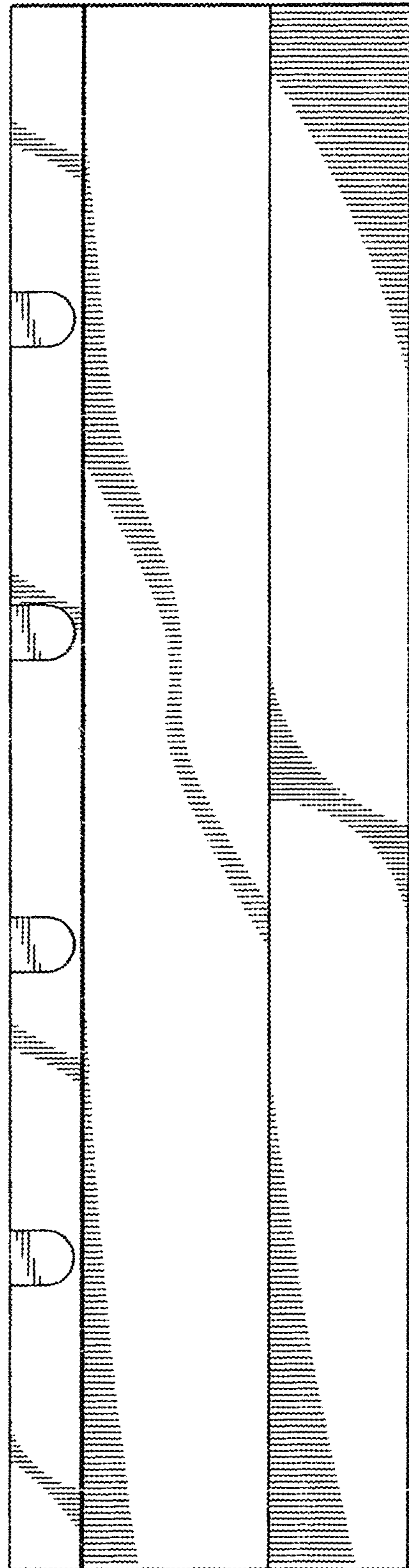


FIG. 2

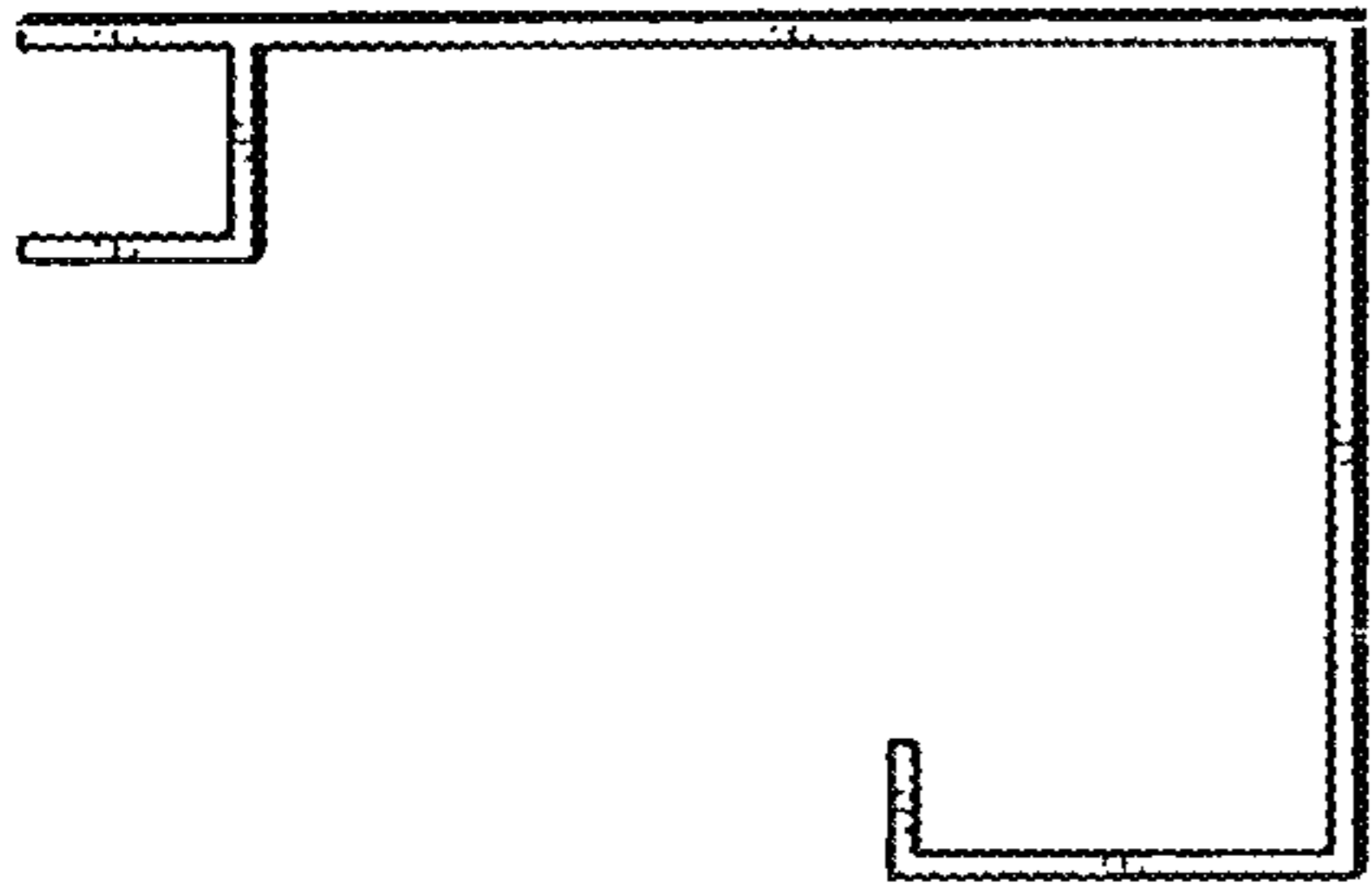


FIG. 3

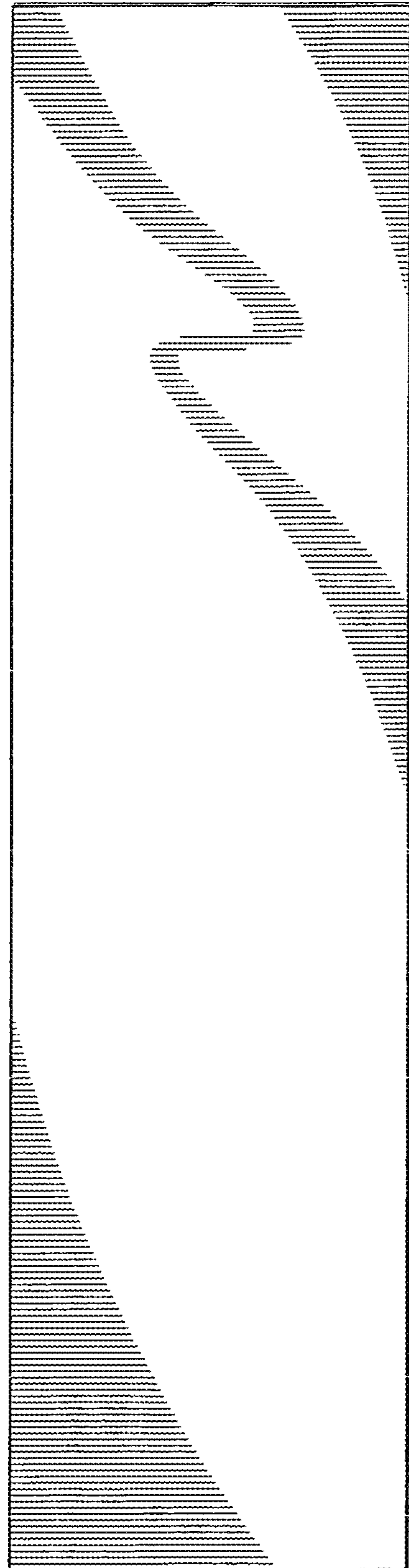


FIG. 4

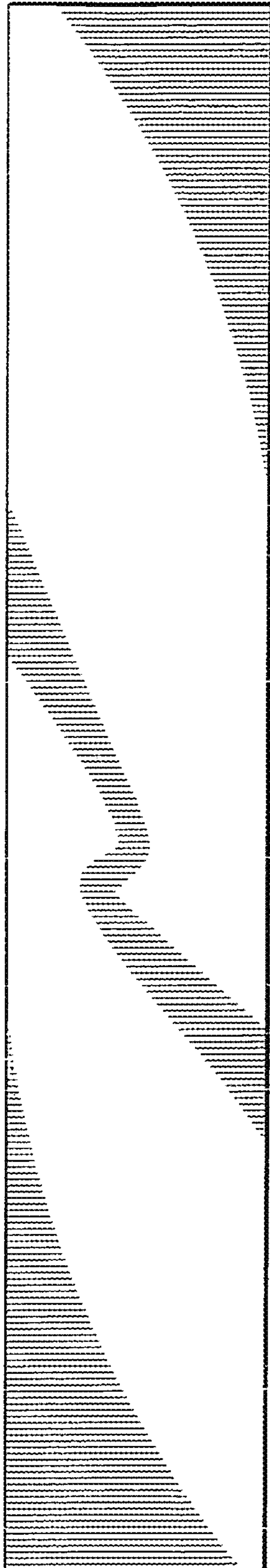


FIG. 5

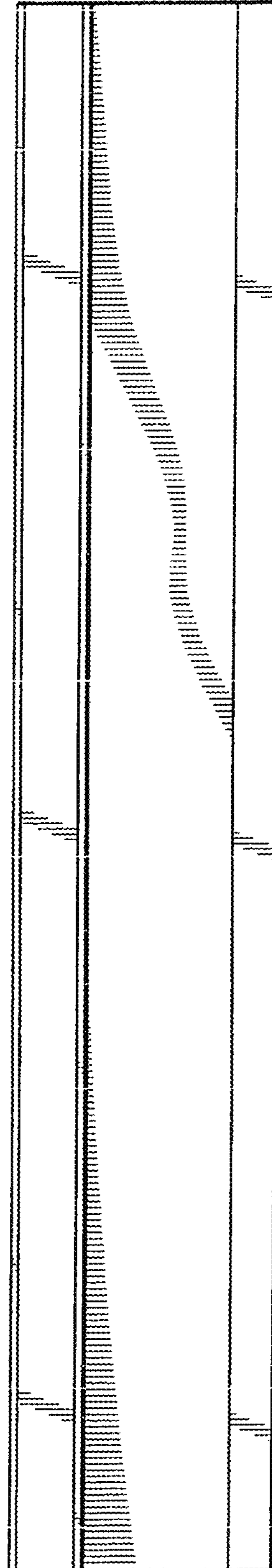


FIG. 6

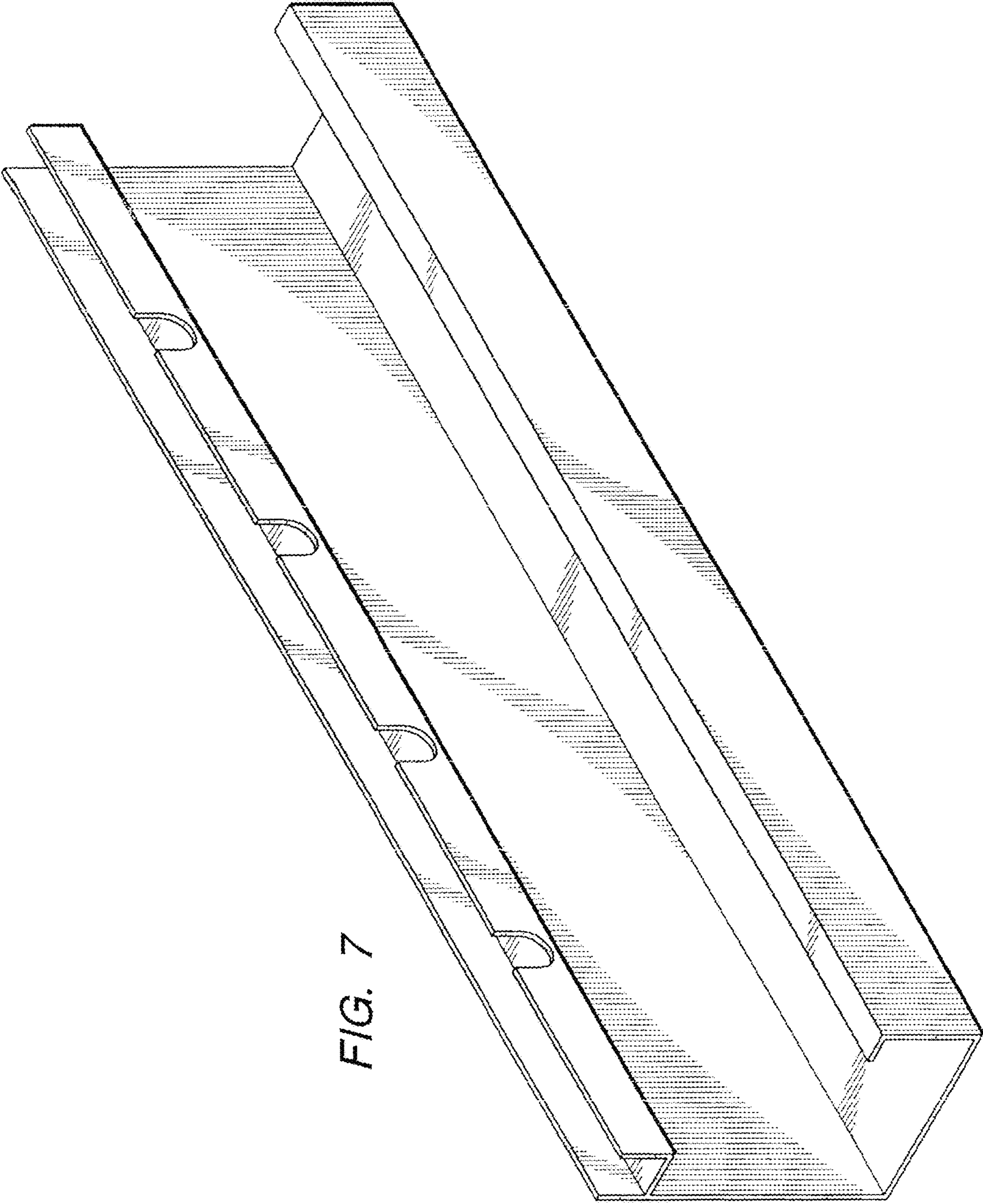


FIG. 7

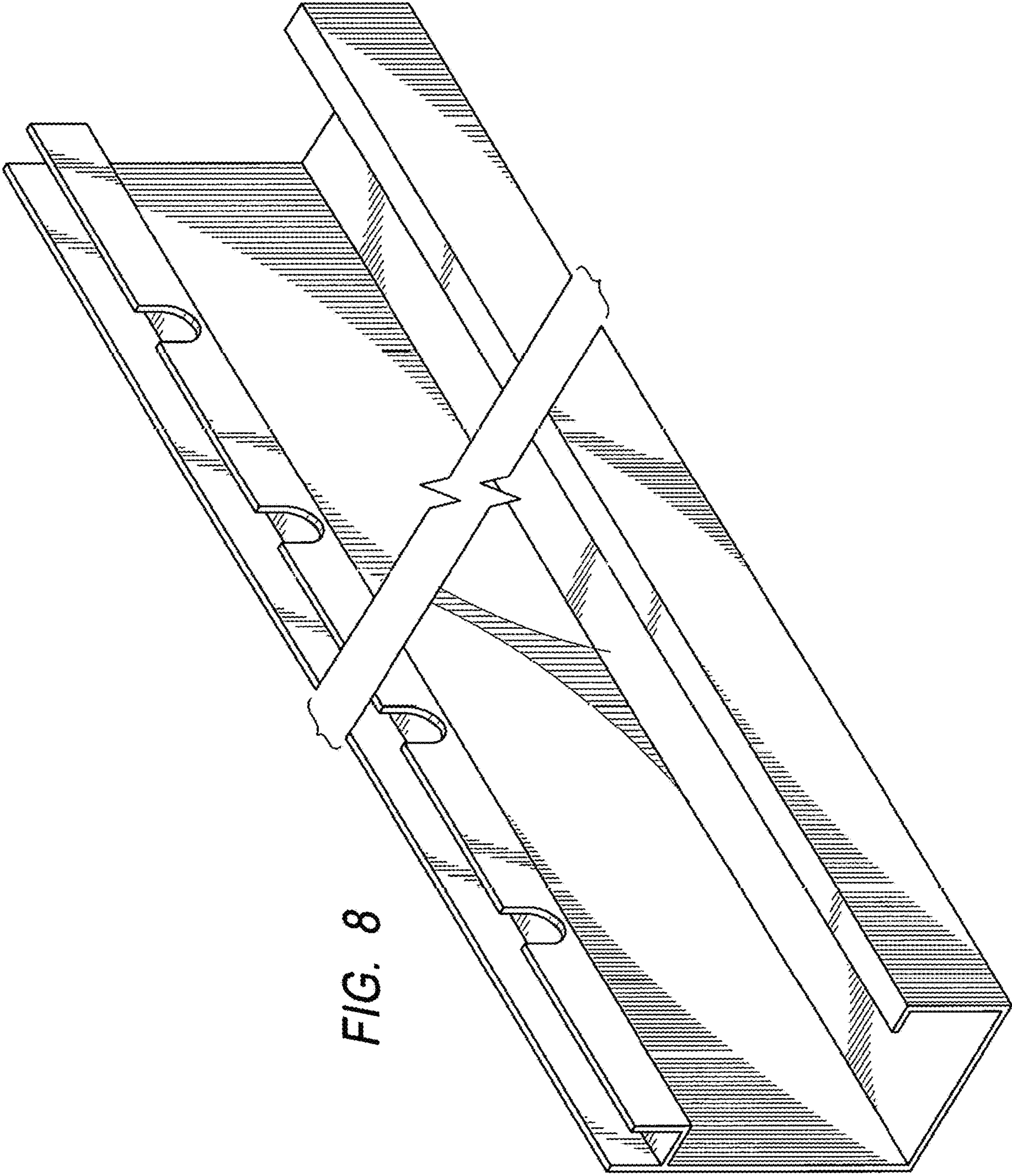


FIG. 8