



US00D898167S

(12) **United States Design Patent** (10) **Patent No.:** **US D898,167 S**
Kury (45) **Date of Patent:** **** Oct. 6, 2020**

(54) **JOINT FOR PIPES IN PARTICULAR FOR FLEXIBLE TUBES**

(71) Applicant: **Neoperl GmbH**, Müllheim (DE)

(72) Inventor: **Werner Kury**, Müllheim (DE)

(73) Assignee: **Neoperl GmbH**, Müllheim (DE)

(**) Term: **15 Years**

(21) Appl. No.: **35/506,579**

(22) Filed: **Dec. 13, 2018**

(80) **Hague Agreement Data**

Int. Filing Date: **Dec. 13, 2018**

Int. Reg. No.: **DM/200531**

Int. Reg. Date: **Dec. 13, 2018**

Int. Reg. Pub. Date: **Apr. 12, 2019**

(51) **LOC (12) Cl.** **23-01**

(52) **U.S. Cl.**
USPC **D23/262**

(58) **Field of Classification Search**

USPC D23/213, 223, 226, 232, 233, 234, 235,
D23/236, 237, 259, 260, 262, 263, 264,
D23/265, 266, 267; D8/382, 396

CPC F16L 27/12; F16L 37/1225; F16L 5/02
See application file for complete search history.

(56) **References Cited**

U.S. PATENT DOCUMENTS

D296,559 S *	7/1988	Drabinski	D15/140
D363,767 S *	10/1995	Swaim	D23/260
D543,259 S *	5/2007	Chueh	D23/262
D585,530 S *	1/2009	Ito	D23/259
D607,546 S *	1/2010	Forsythe	D23/262
D620,084 S *	7/2010	Talamantez	D23/262
D632,763 S *	2/2011	McCarthy	D23/262

D709,996 S *	7/2014	Yu	D23/262
D768,473 S *	10/2016	Manwaring	D23/262
D779,046 S *	2/2017	Tansey, Jr.	D23/262
D790,044 S *	6/2017	Li	D23/262
D820,073 S *	6/2018	Iacono	D8/382
D834,154 S *	11/2018	Khubani	D23/262
D845,448 S *	4/2019	Tanghetti	D23/262
D871,560 S *	12/2019	Davey	D23/262
D873,970 S *	1/2020	Park	D23/260

* cited by examiner

Primary Examiner — Khawaja Anwar

(74) *Attorney, Agent, or Firm* — Volpe and Koenig, P.C.

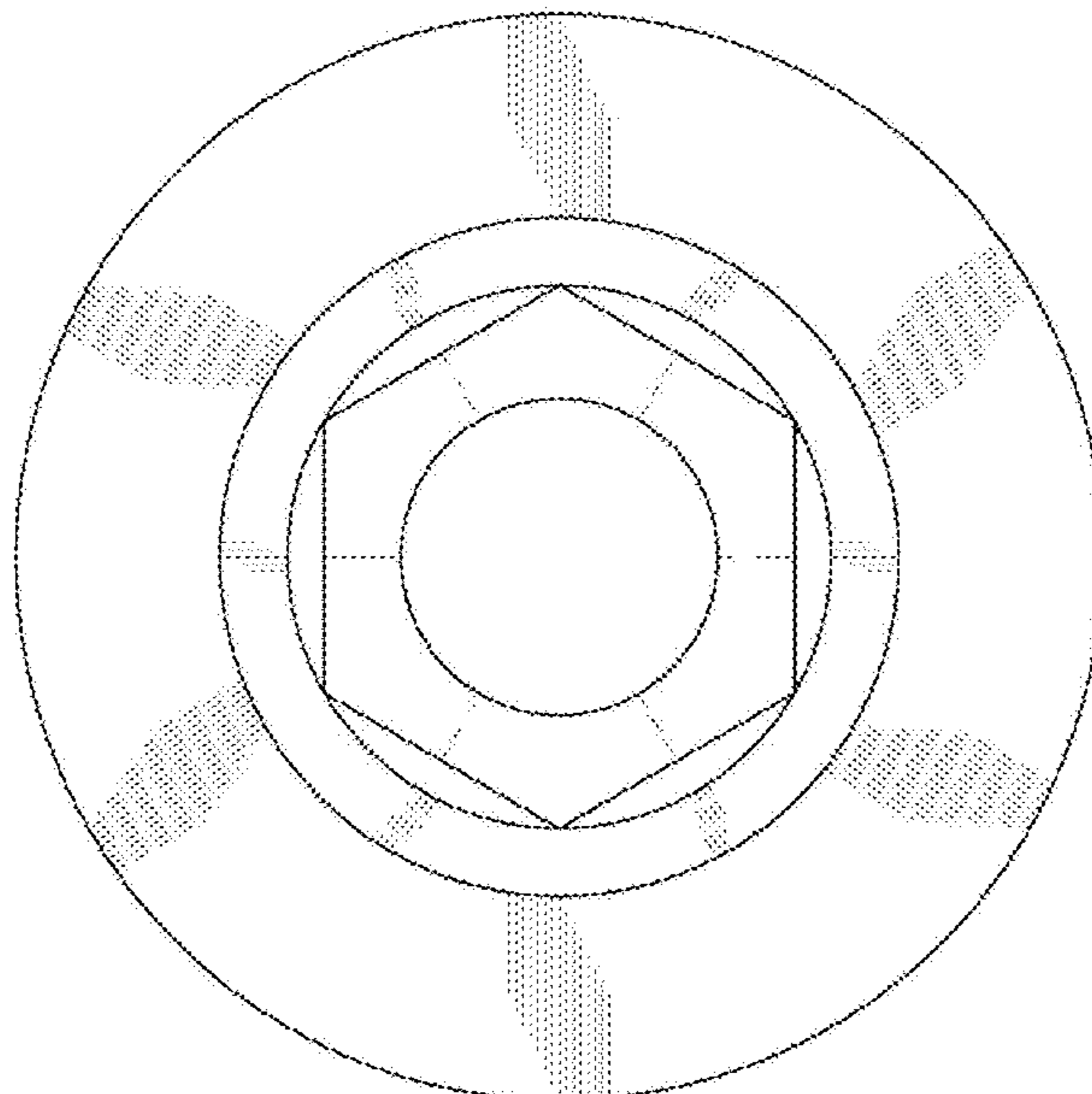
(57) **CLAIM**

The ornamental design for joints for pipes in particular for flexible tubes, as shown and described.

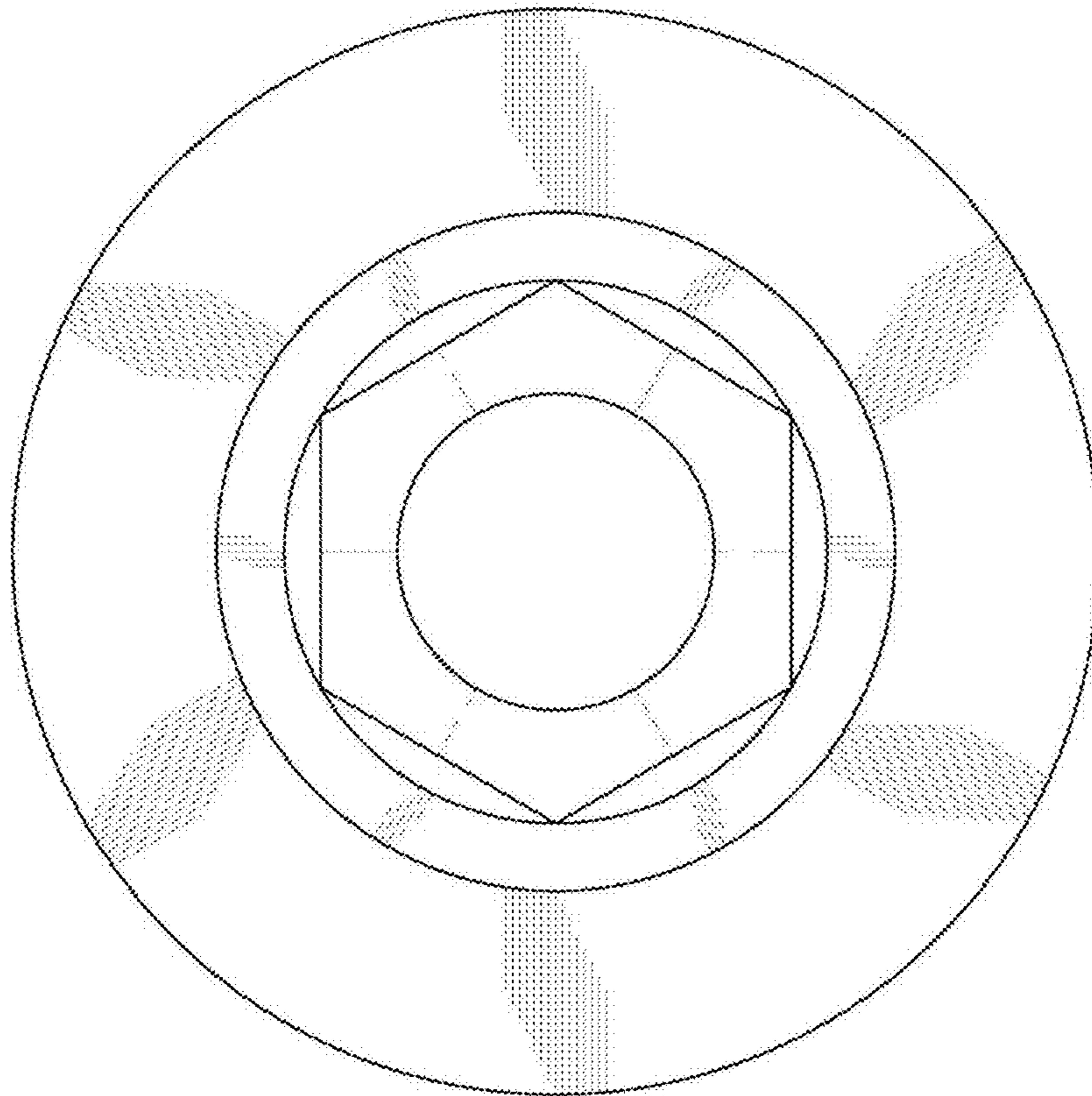
DESCRIPTION

- 1.1 A top plan view of a first embodiment of a joint for pipes in particular for flexible tubes in accordance with my design;
- 1.2 A top, front, left perspective view thereof;
- 1.3 A bottom plan view thereof;
- 1.4 A bottom, rear, right perspective view thereof;
- 1.5 A right side elevational view thereof;
- 1.6 A front elevational view thereof;
- 1.7 A left side elevational view thereof; and
- 1.8 A rear elevational view thereof.
- 4.1 A top plan view of a second embodiment of a joint for pipes in particular for flexible tubes in accordance with my design;
- 4.2 A top, front, left perspective view thereof;
- 4.3 A bottom plan view thereof;
- 4.4 A bottom, rear, right perspective view thereof;
- 4.5 A right side elevational view thereof;
- 4.6 A front elevational view thereof;
- 4.7 A left side elevational view thereof; and
- 4.8 A rear elevational view thereof.

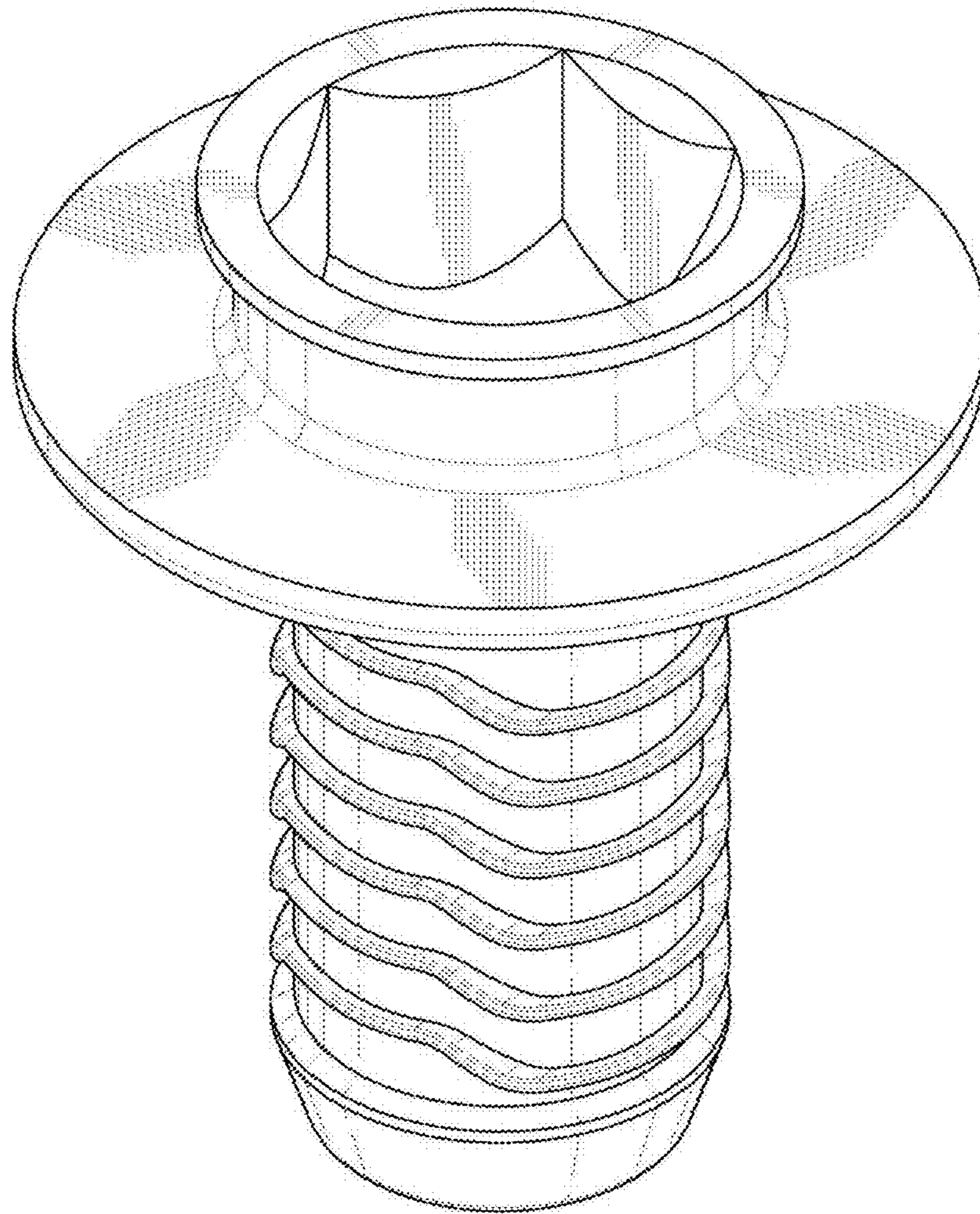
1 Claim, 16 Drawing Sheets



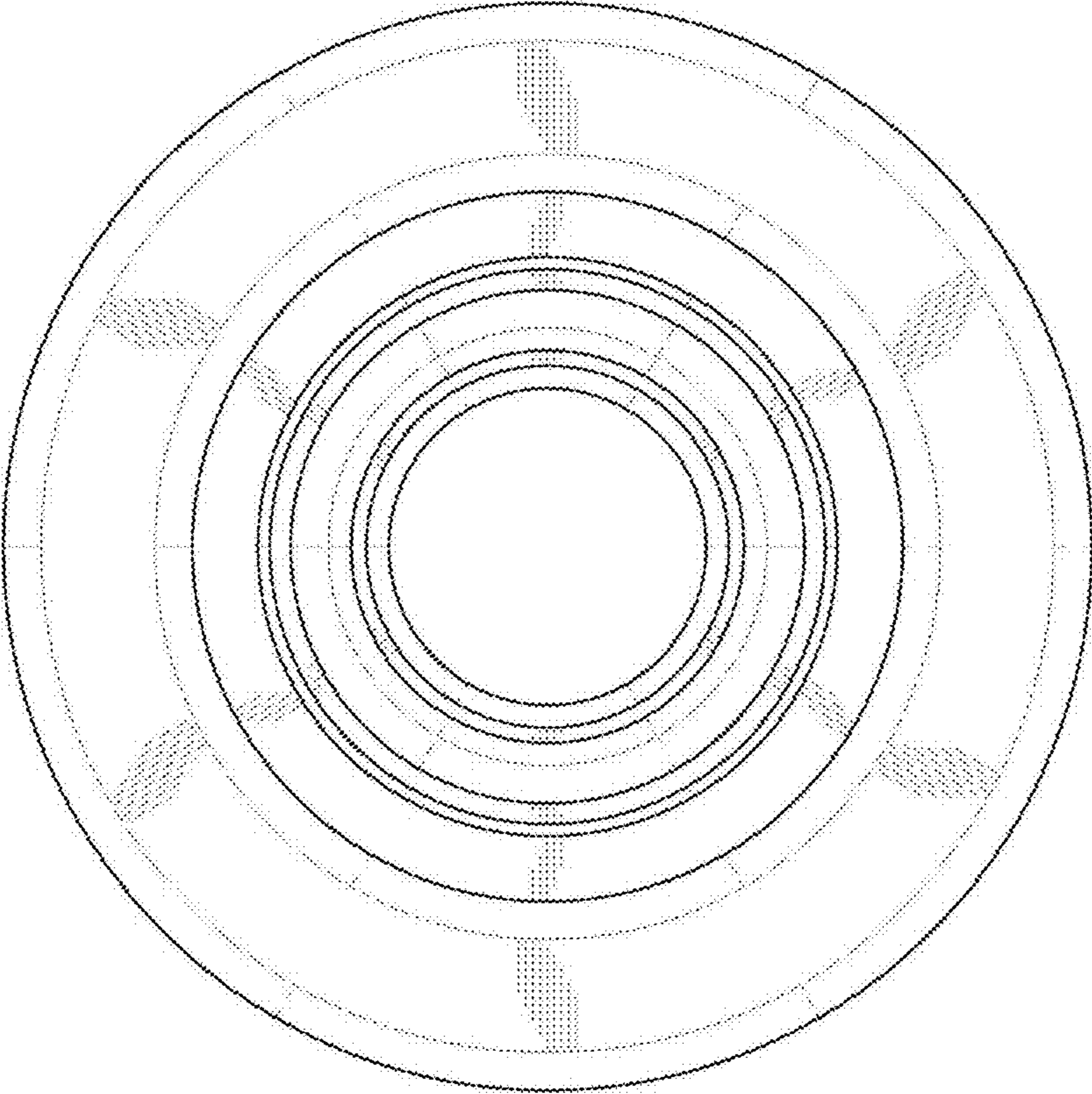
1.1



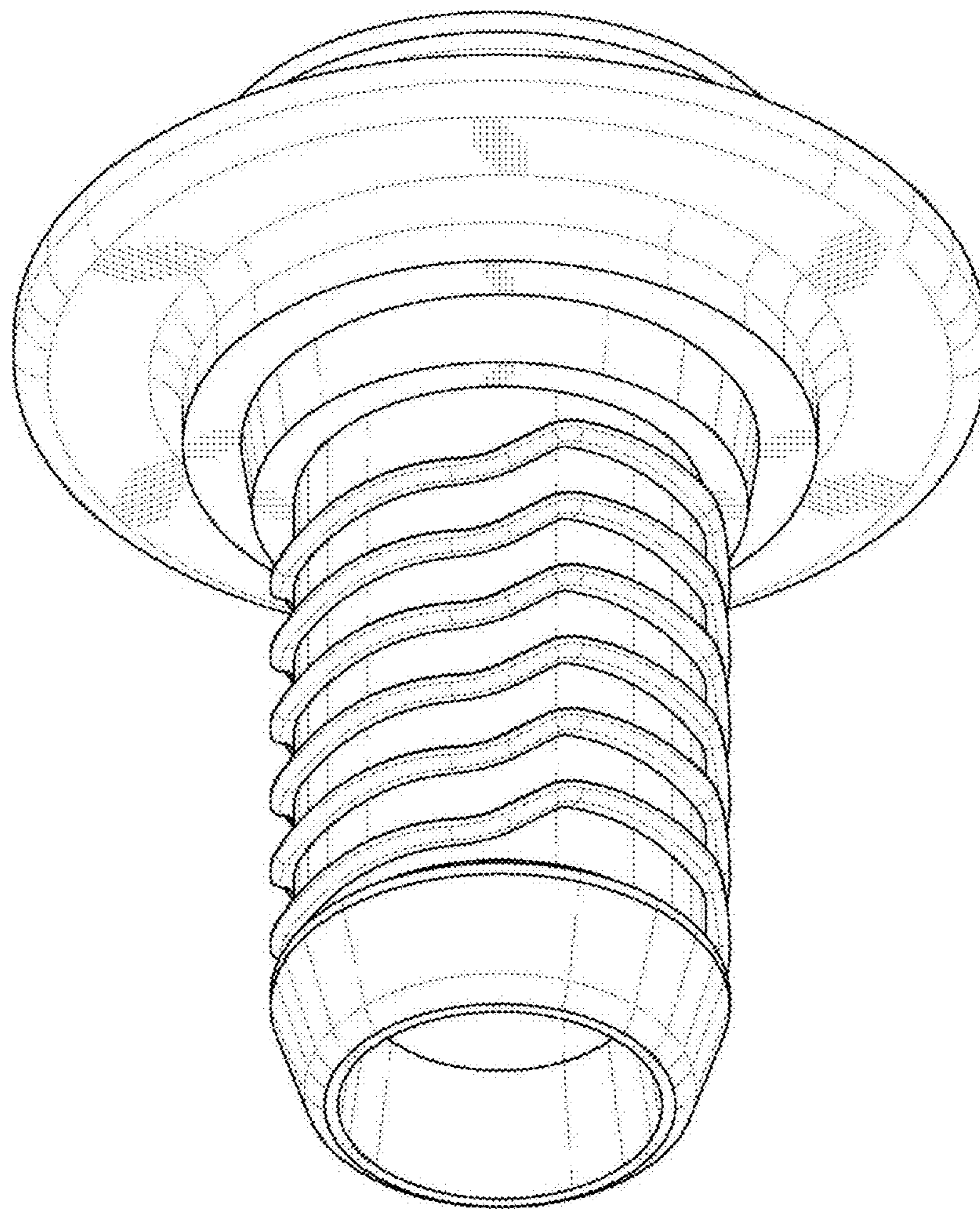
1.2



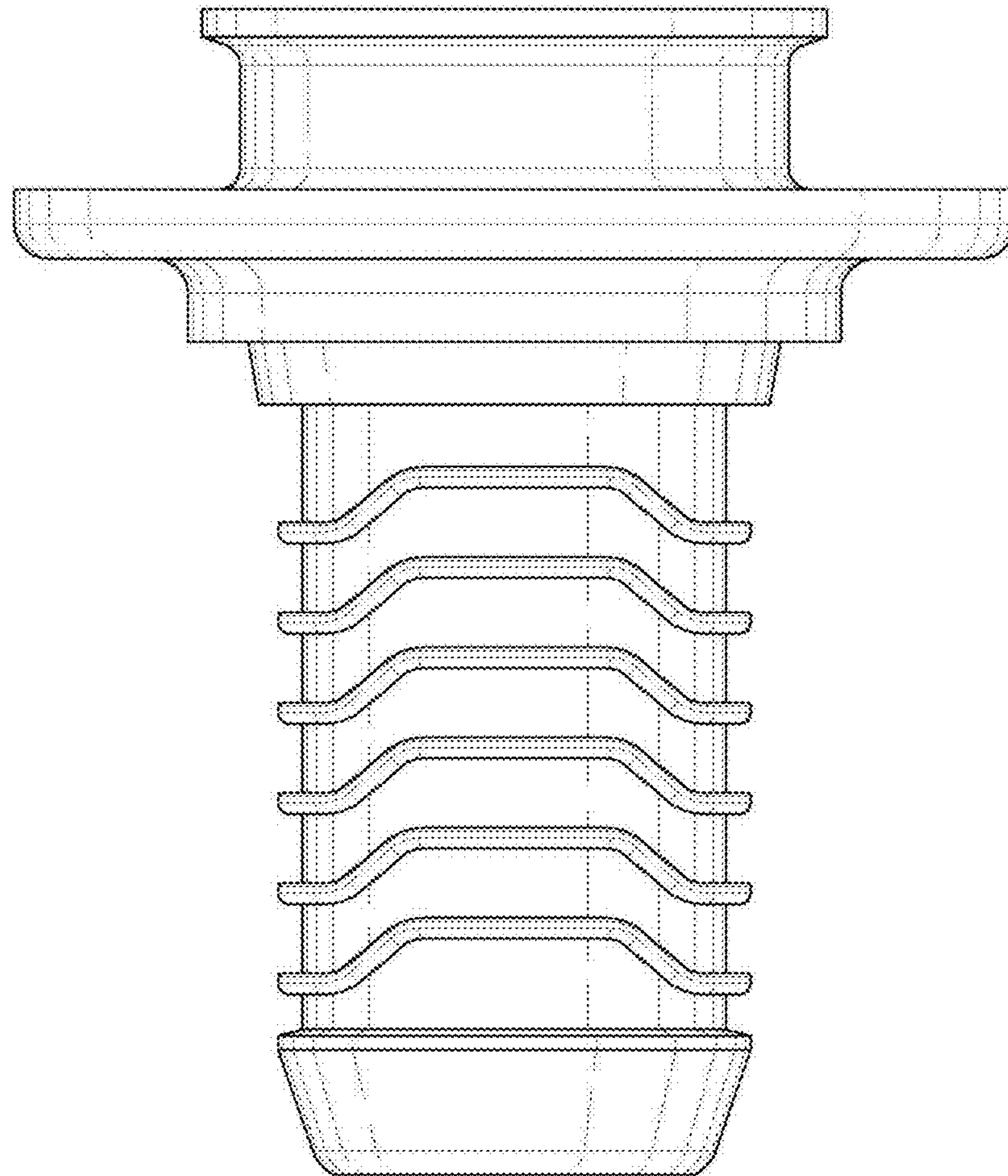
1.3



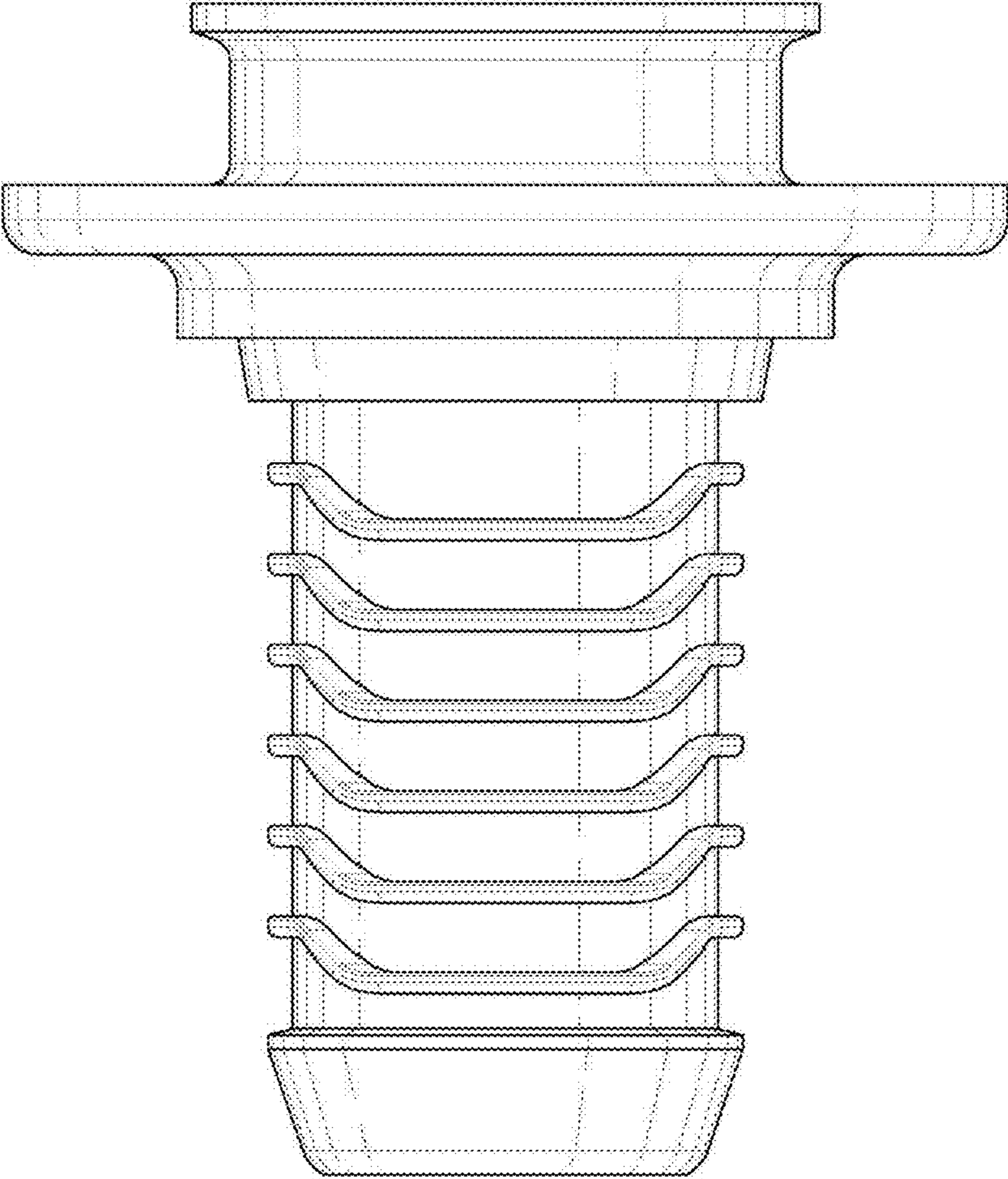
1.4



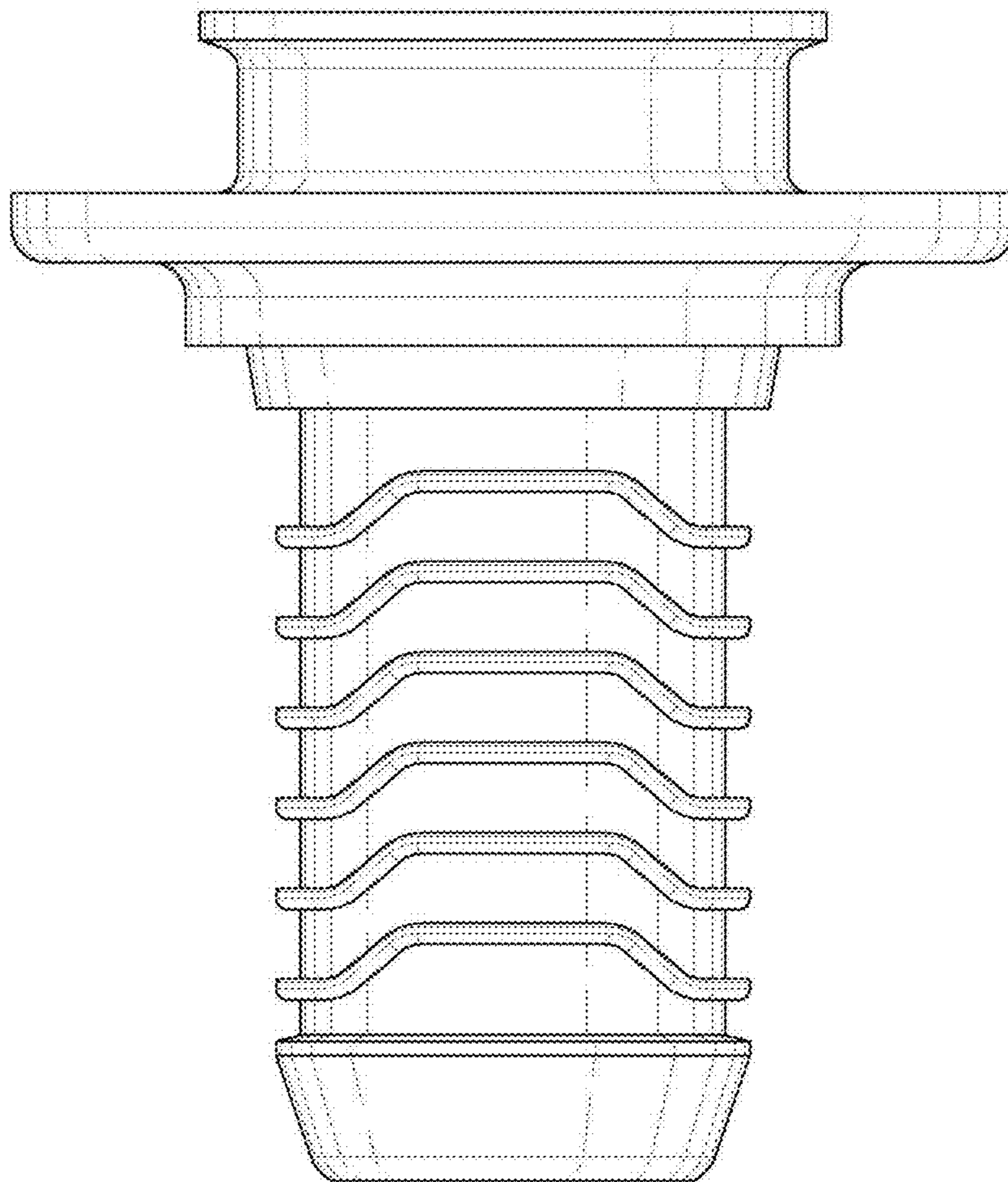
1.5



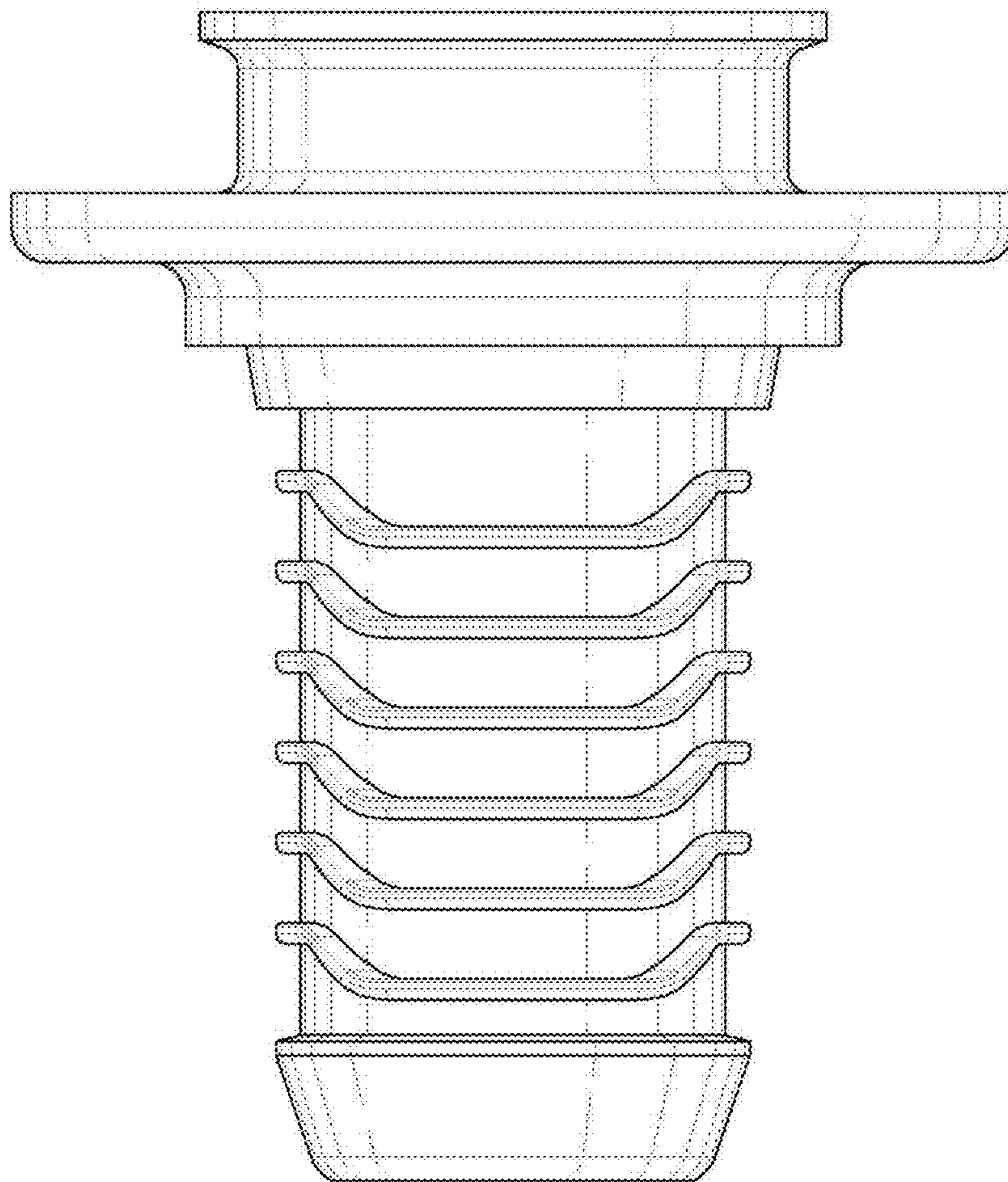
1.6



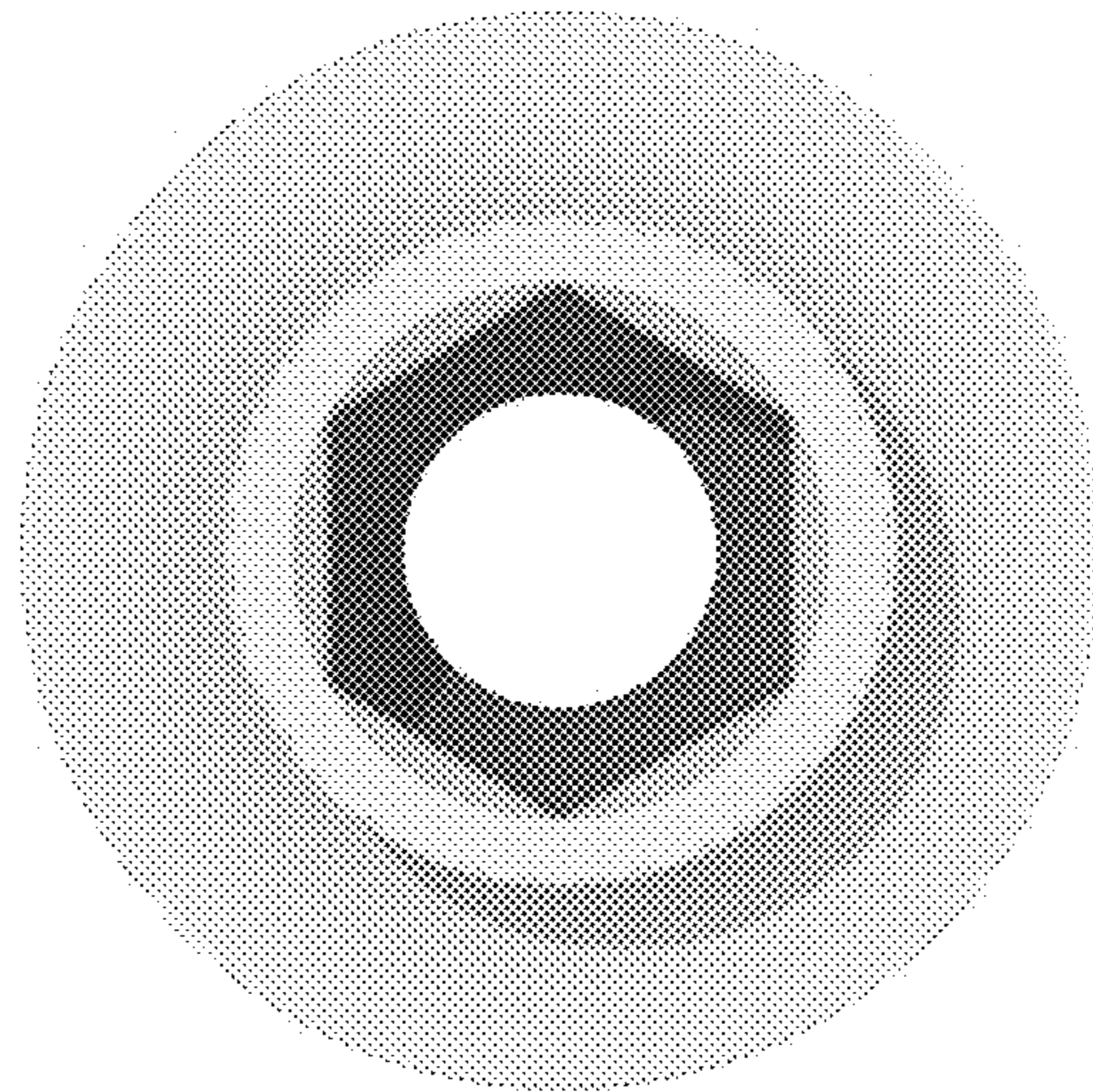
1.7



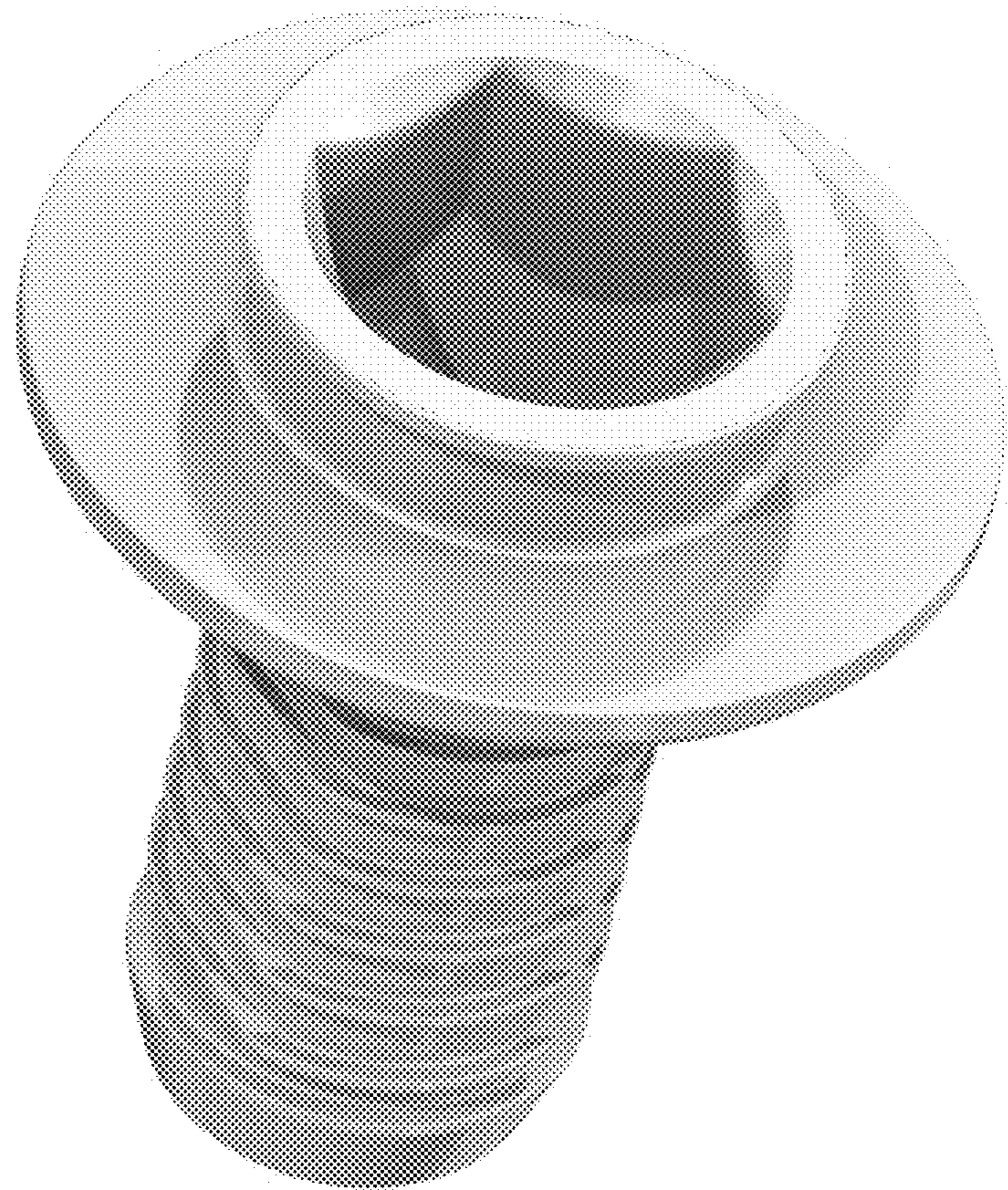
1.8



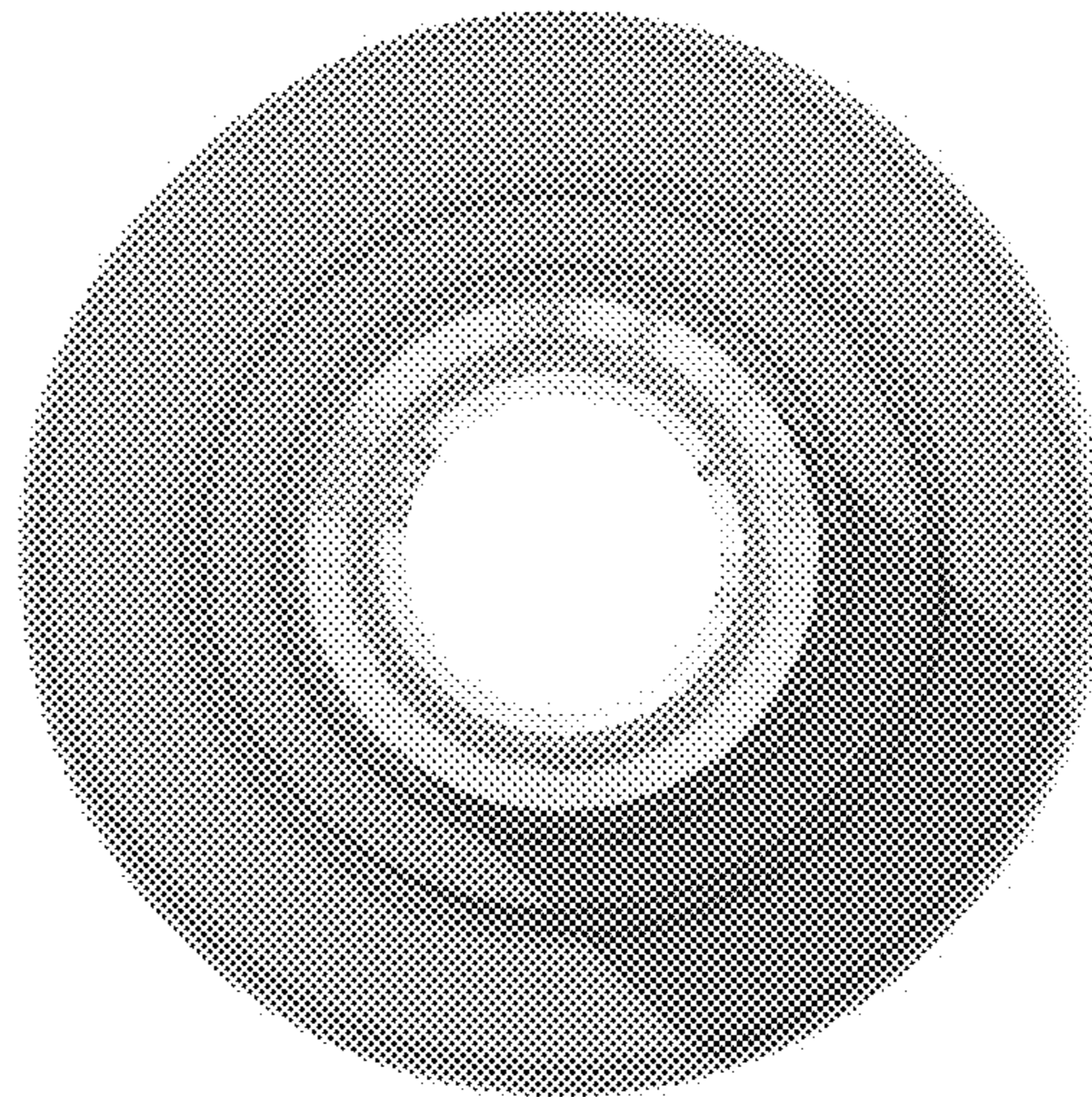
4.1



4.2



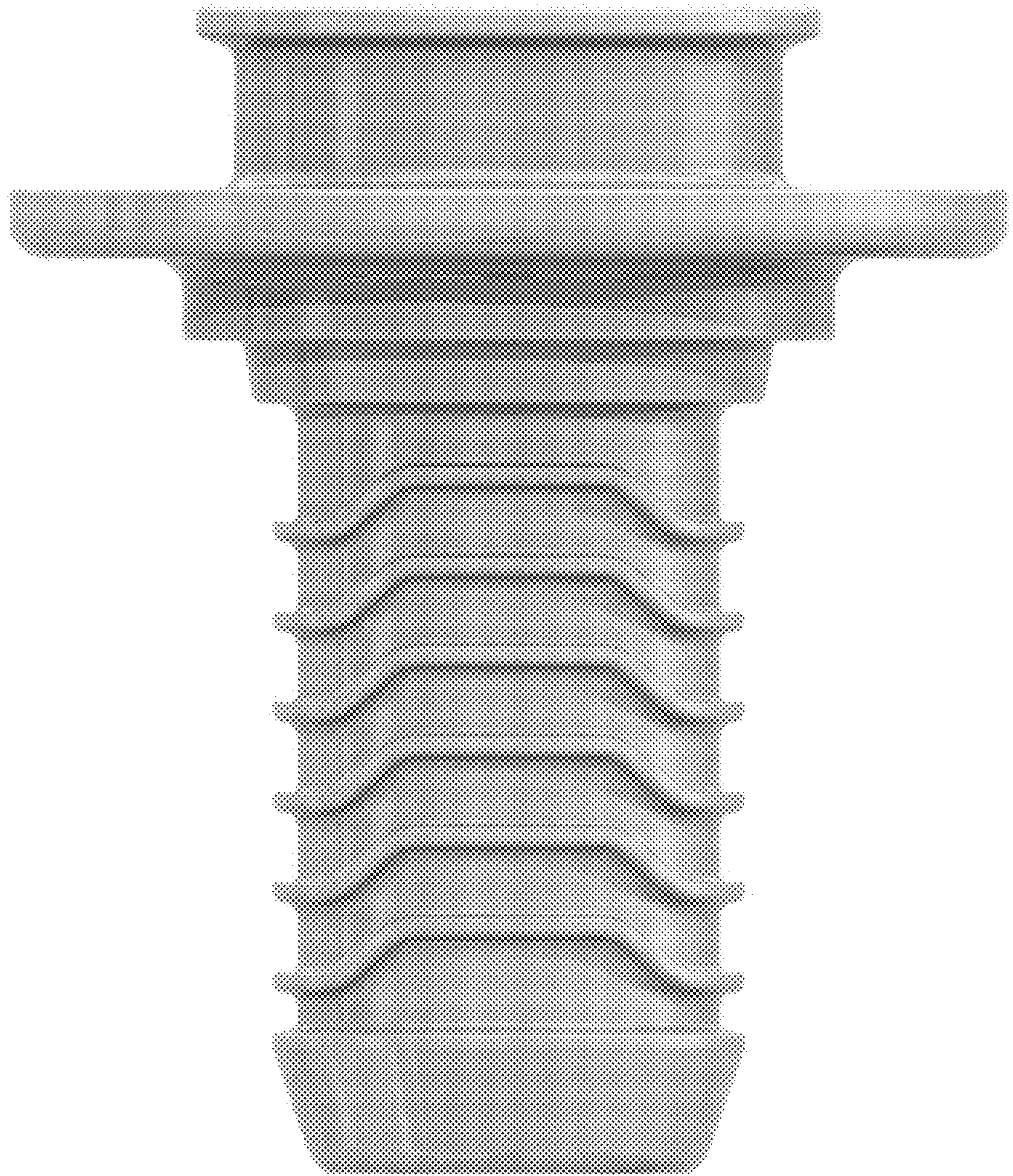
4.3



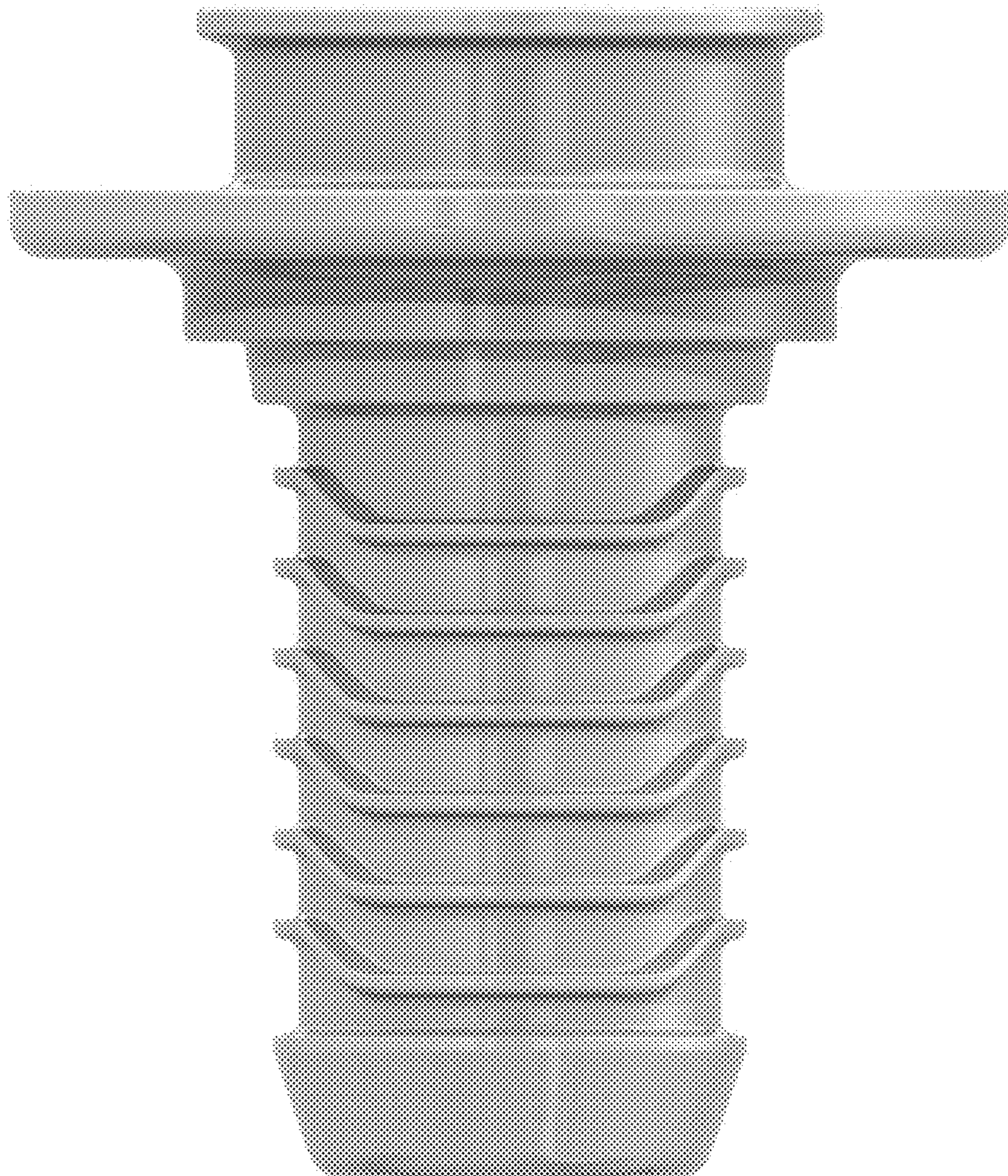
4.4



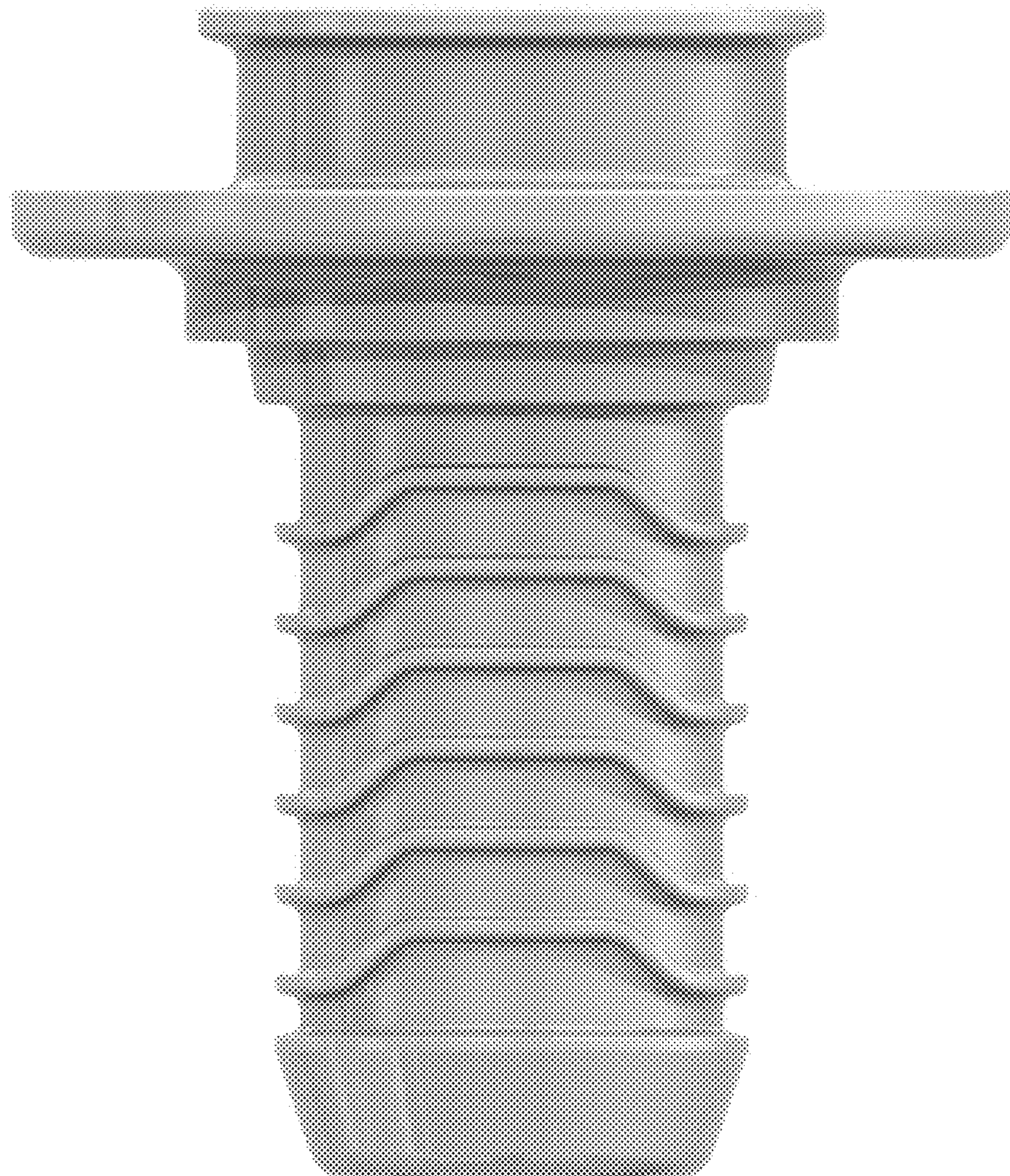
4.5



4.6



4.7



4.8

