



US00D898166S

(12) **United States Design Patent** (10) **Patent No.:** **US D898,166 S**
Eads (45) **Date of Patent:** **** *Oct. 6, 2020**

(54) **FAUCET**
(71) Applicant: **DELTA FAUCET COMPANY,**
Indianapolis, IN (US)
(72) Inventor: **Thad Eads,** Urbana, IN (US)
(73) Assignee: **DELTA FAUCET COMPANY,**
Indianapolis, IN (US)
(*) Notice: This patent is subject to a terminal disclaimer.

D582,525 S *	12/2008	Downey	D23/255
D607,545 S *	1/2010	Obara	D23/255
D692,104 S *	10/2013	Gessi	D23/238
D759,212 S *	6/2016	Eads	D23/255
D796,009 S *	8/2017	Sieger	D23/255
D800,273 S *	10/2017	Andrew	D23/255
D810,890 S *	2/2018	Takayama	D23/255
D841,130 S *	2/2019	Eads	D23/255
D845,442 S *	4/2019	Eads	D23/255
D845,443 S *	4/2019	Eads	D23/255
D845,444 S *	4/2019	Eads	D23/255
D845,445 S *	4/2019	Fritz	D23/255
D846,082 S *	4/2019	Eads	D23/255

* cited by examiner

(**) Term: **15 Years**

Primary Examiner — Robert A Delehanty

(21) Appl. No.: **29/679,831**

(74) *Attorney, Agent, or Firm* — Nirav D. Parikh; Edgar A. Zarins

(22) Filed: **Feb. 11, 2019**

(51) **LOC (12) Cl.** **23-01**

(52) **U.S. Cl.**
USPC **D23/255**

(58) **Field of Classification Search**
USPC D23/238, 241–243, 249, 255, 257
CPC Y10T 137/9464; Y10T 137/6014; Y10T 137/6017
See application file for complete search history.

(57) **CLAIM**

The ornamental design for a faucet, as shown and described.

DESCRIPTION

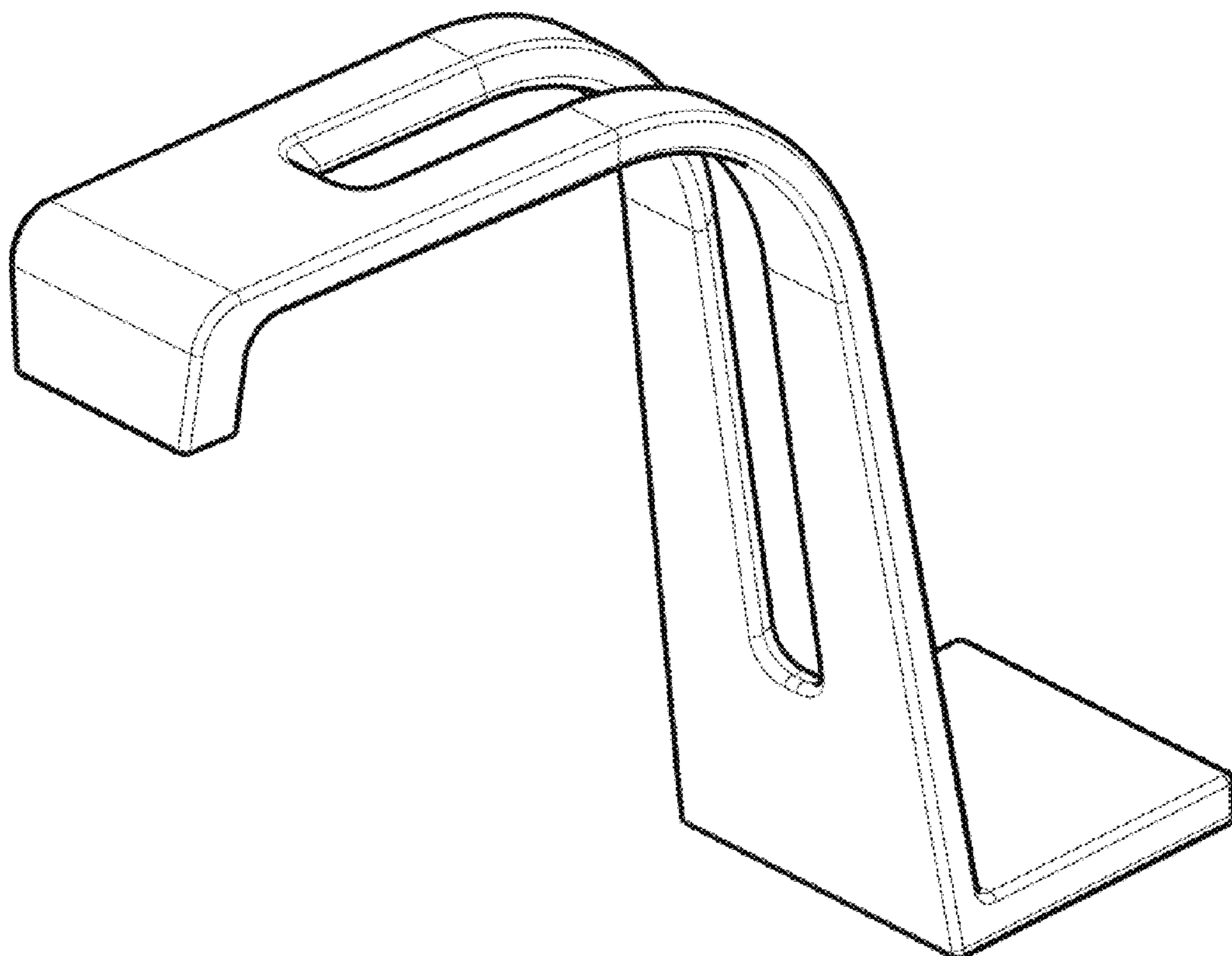
FIG. 1 is a front perspective view of a faucet showing my new design;
FIG. 2 is a rear perspective view thereof;
FIG. 3 is a right side view thereof;
FIG. 4 is a front elevational view thereof;
FIG. 5 is a rear view thereof;
FIG. 6 is a left side view thereof;
FIG. 7 is a bottom view thereof; and,
FIG. 8 is a top plan view thereof.

(56) **References Cited**

U.S. PATENT DOCUMENTS

D290,161 S *	6/1987	Paul	D23/242
D318,907 S *	8/1991	Kohler, Jr.	D23/257

1 Claim, 4 Drawing Sheets



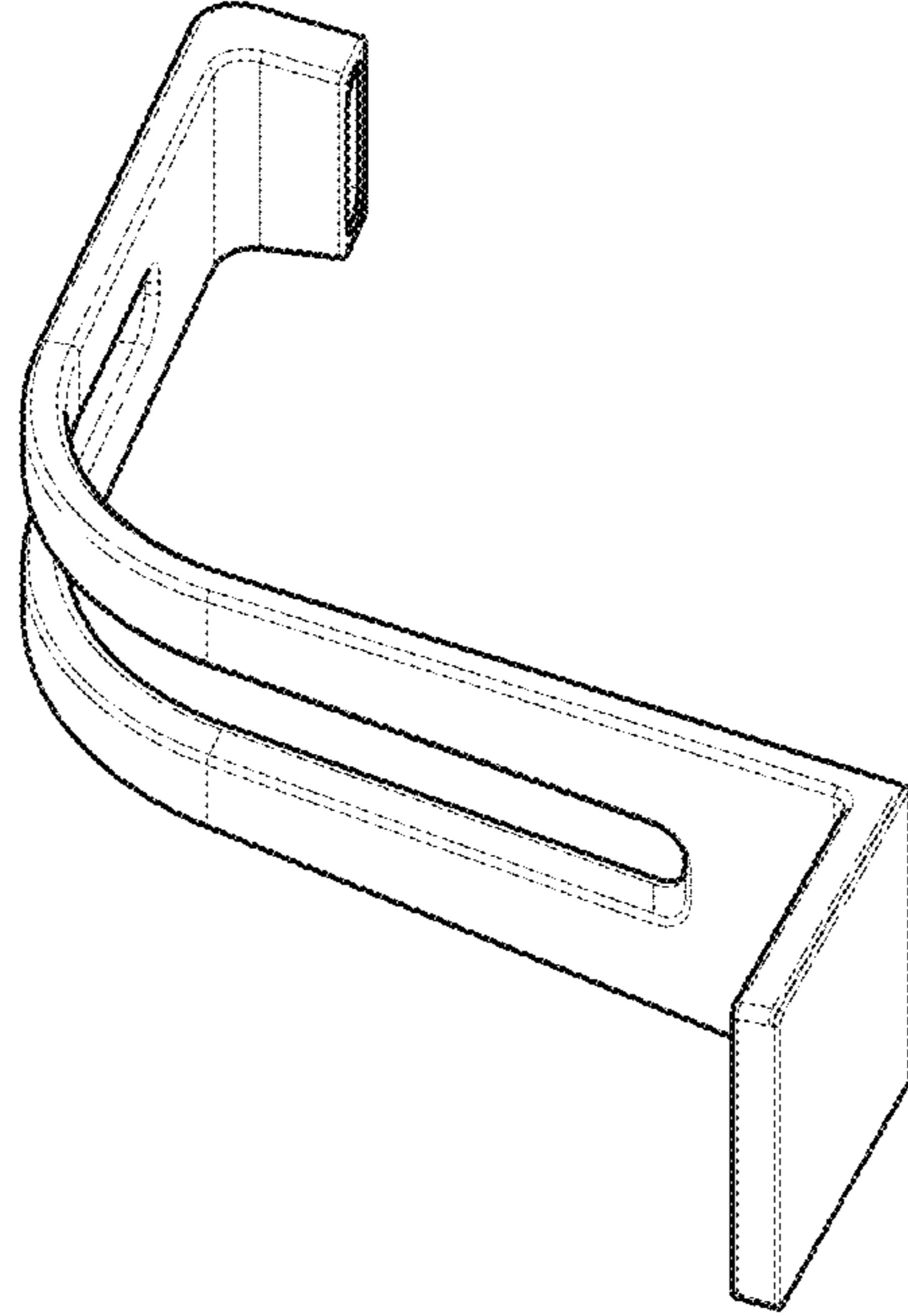


FIG 2

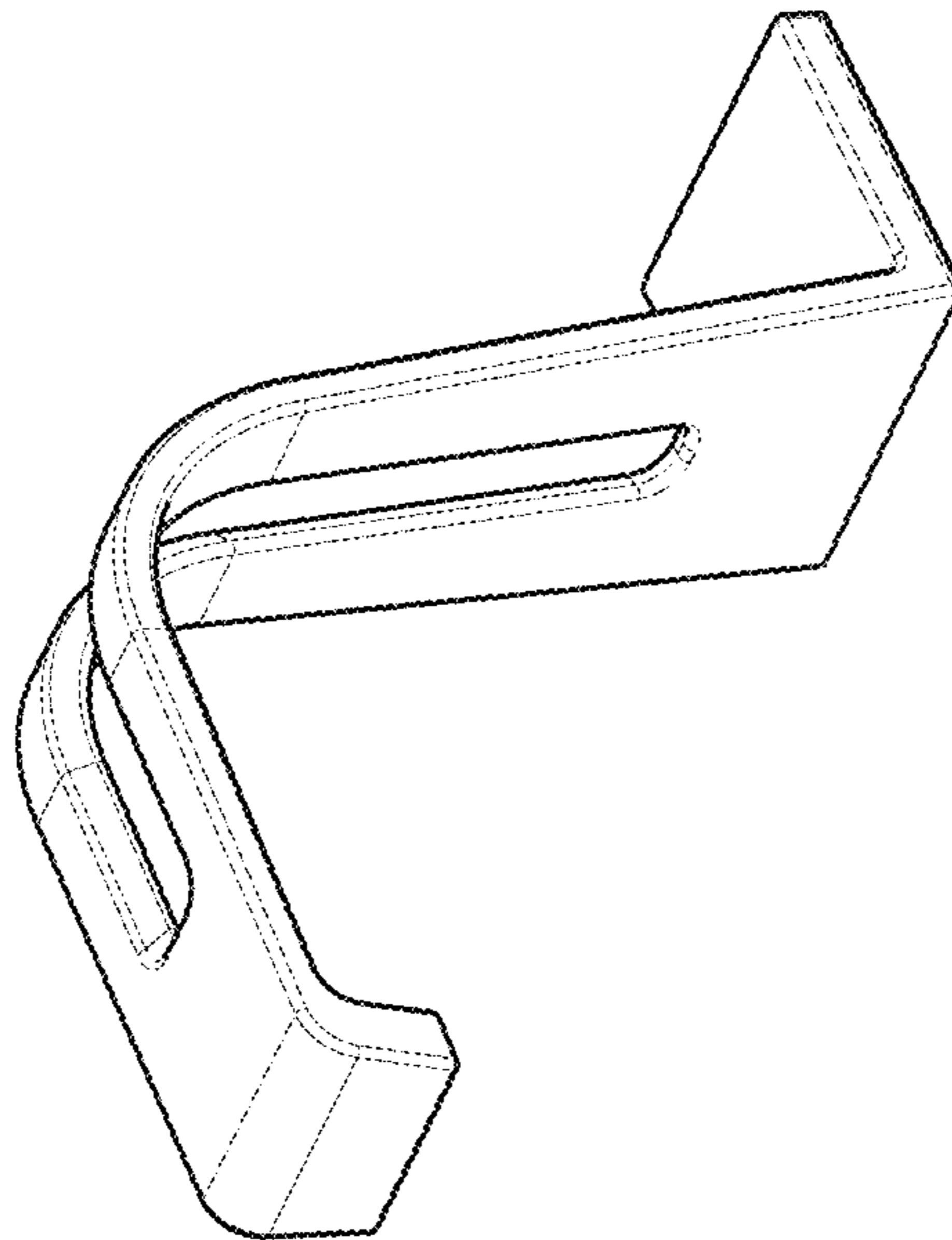


FIG 1

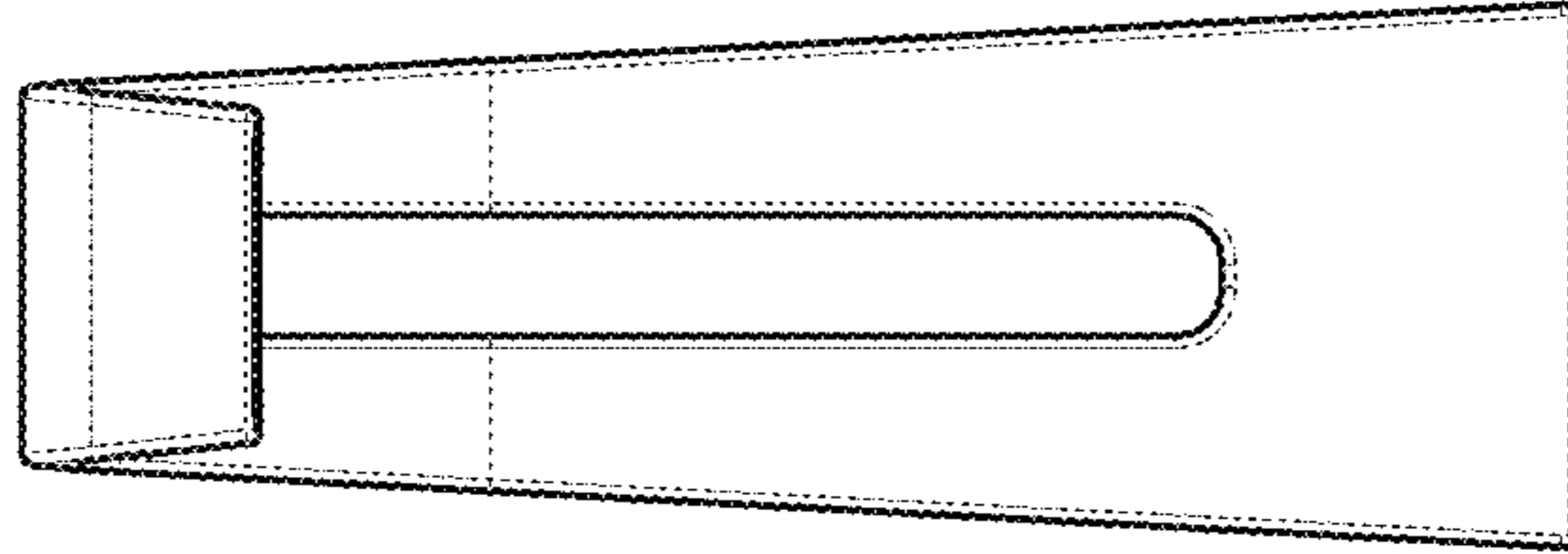


FIG 4

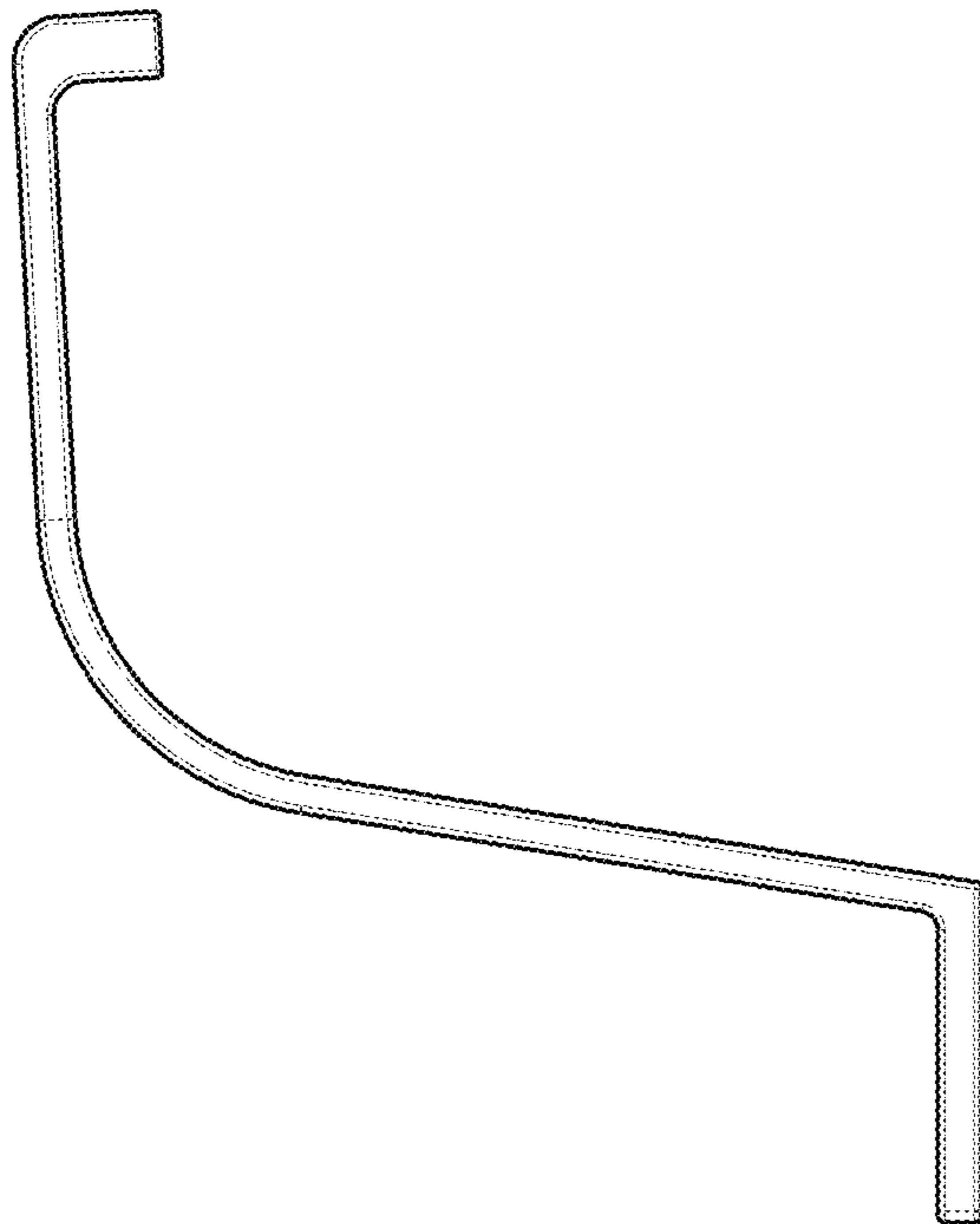


FIG 3

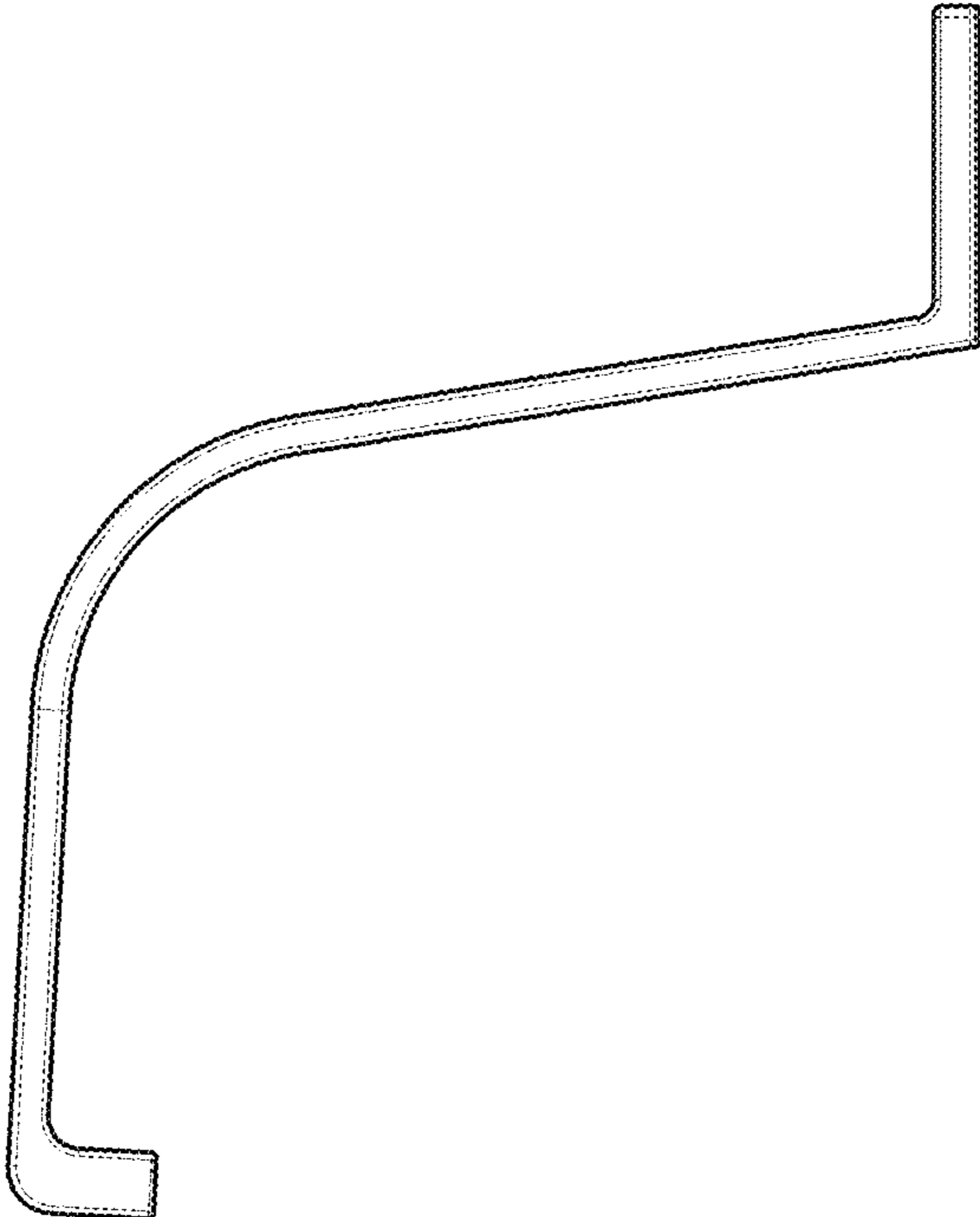


FIG 6

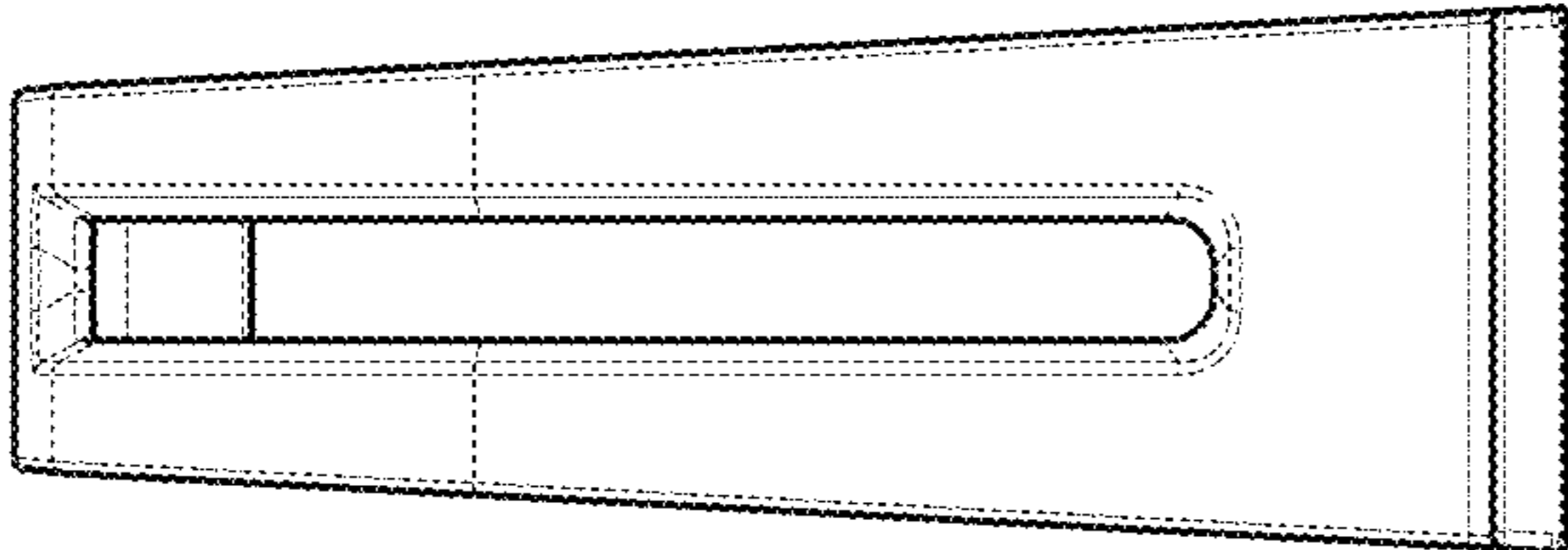


FIG 5

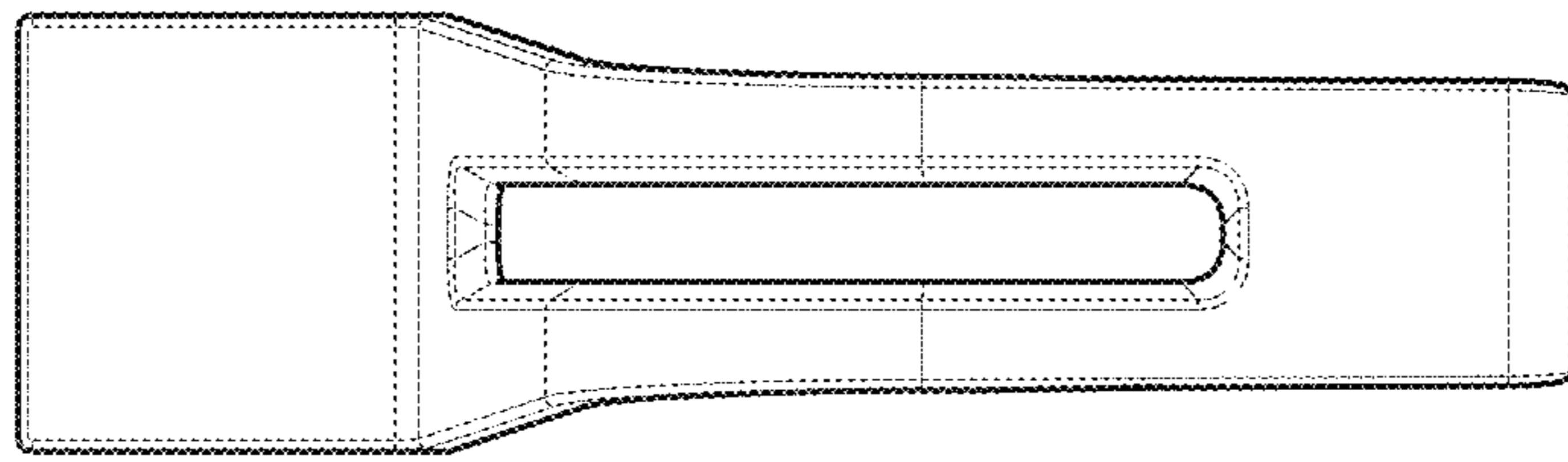


FIG 8

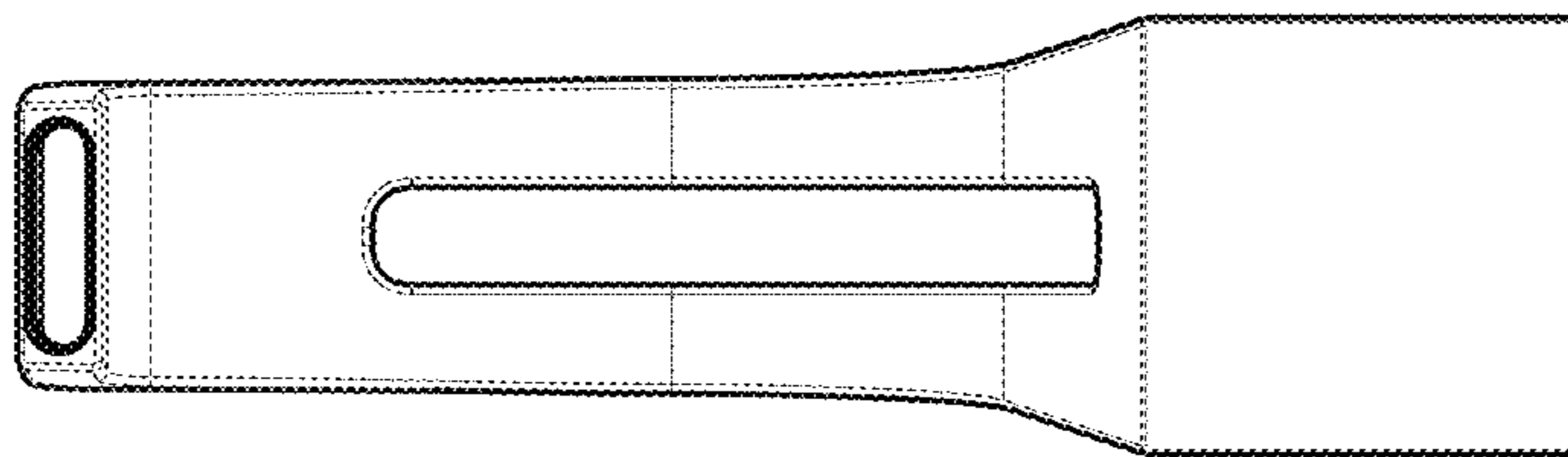


FIG 7