



US00D898165S

(12) **United States Design Patent** (10) **Patent No.:** **US D898,165 S**
Nieuwoudt et al. (45) **Date of Patent:** **** Oct. 6, 2020**

(54) **TRAY VALVE**

FOREIGN PATENT DOCUMENTS

(71) Applicant: **KOCH-GLITSCH, LP**, Wichita, KS (US)

KR 101709754 B1 2/2017

(72) Inventors: **Izak Nieuwoudt**, Wichita, KS (US);
Charles Griesel, Wichita, KS (US)

OTHER PUBLICATIONS

(73) Assignee: **Koch-Glitsch, LP**, Wichita, KS (US)

International Search Report and Written Opinion received for PCT application No. PCT/IB2018/060379, dated Apr. 3, 2019, 16 pages.
(Continued)

(**) Term: **15 Years**

Primary Examiner — Gino Colan

(21) Appl. No.: **29/674,081**

(22) Filed: **Dec. 19, 2018**

(51) **LOC (12) Cl.** **23-01**

(57) **CLAIM**

(52) **U.S. Cl.**
USPC **D23/249**

The ornamental design for a tray valve, as shown and described.

(58) **Field of Classification Search**
USPC D23/233, 249; 261/114.4, 113, 114.1,
261/114.2, 114.5
CPC B01D 3/163; B01D 3/22; B01J 2208/0092;
B01J 2208/00929; B01J 2208/00938;
B01J 8/0221; B01J 8/025; B01J 9/32;
B01J 2219/32206

DESCRIPTION

See application file for complete search history.

FIG. 1 is a top perspective view of a tray valve according to our new design;
FIG. 2 is a top plan view thereof;
FIG. 3 is a cross-sectional view thereof, viewed along line 3-3 in FIG. 2;
FIG. 4 is another cross-sectional view thereof, viewed along line 4-4 in FIG. 2;
FIG. 5 is a top perspective view of the tray valve shown in FIGS. 1-4 shown in a different environment;
FIG. 6 is a bottom perspective view thereof;
FIG. 7 is a right side elevation view thereof, with the left side elevation view being a mirror image of the right side elevation view;
FIG. 8 is a top plan view thereof;
FIG. 9 is a front elevation view thereof;
FIG. 10 is a rear elevation view thereof; and,
FIG. 11 is a bottom plan view thereof.
The broken lines in the drawings define the bounds of the claimed design and form no part thereof.

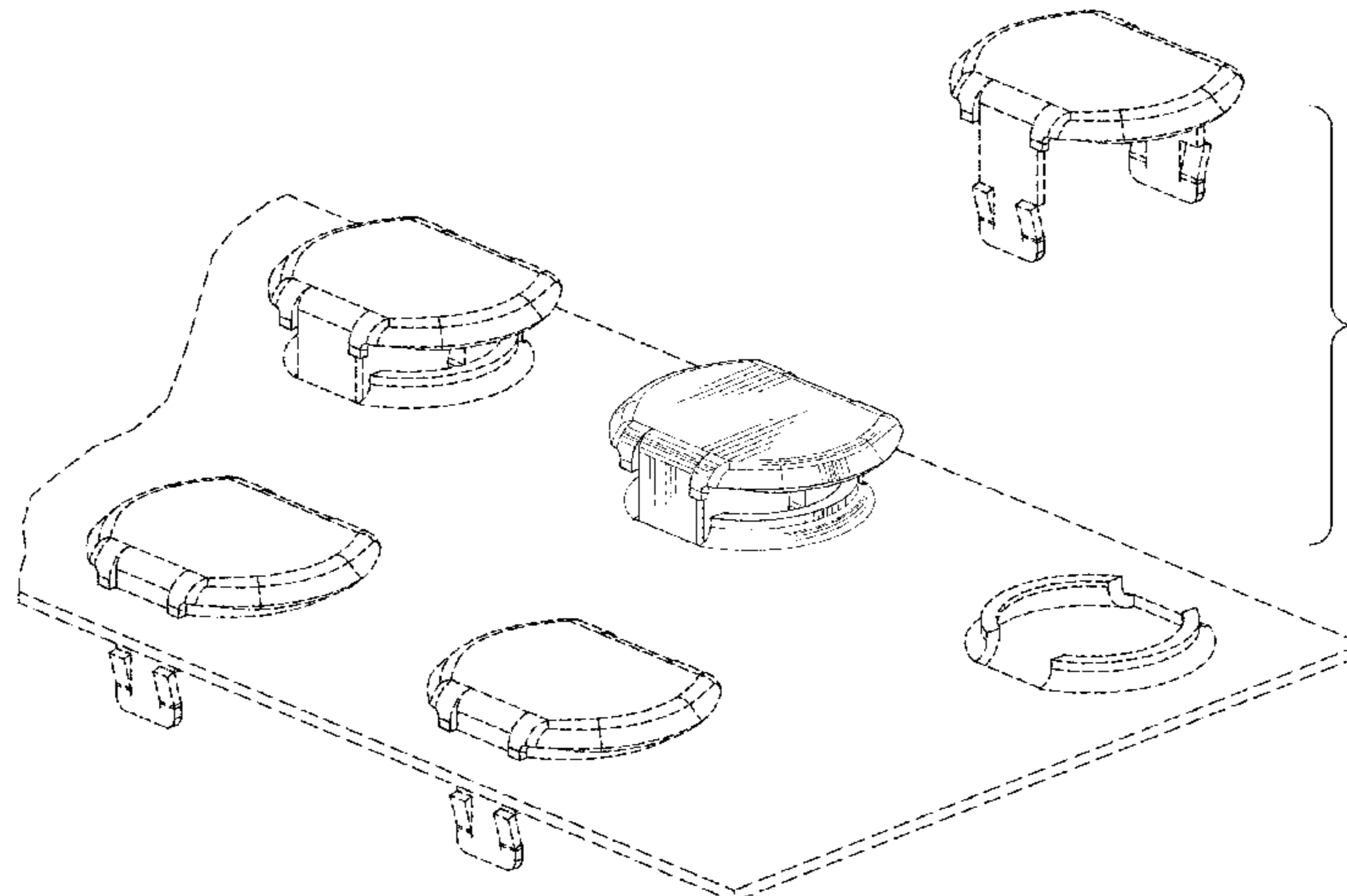
(56) **References Cited**

U.S. PATENT DOCUMENTS

4,698,138	A	10/1987	Silvey	
5,914,012	A	6/1999	Kaibel	
6,053,485	A *	4/2000	Pan	B01D 3/163 261/114.4
6,270,062	B1 *	8/2001	Chuang	B01D 3/163 261/114.4
6,422,539	B1 *	7/2002	Burton	B01D 3/324 261/114.4
6,830,607	B2 *	12/2004	Allen	B01D 3/20 261/114.5
7,604,222	B2	10/2009	Zone	
8,083,901	B2	12/2011	Sharma	
8,720,870	B2 *	5/2014	Pilling	B01D 3/205 261/114.4
8,944,419	B2 *	2/2015	Pilling	B01D 3/163 261/114.4

(Continued)

1 Claim, 7 Drawing Sheets



(56)

References Cited

U.S. PATENT DOCUMENTS

8,968,524 B2 3/2015 Del Corso
9,199,206 B2 * 12/2015 Pilling B01F 3/04524
D816,188 S * 4/2018 Armbrister D23/249
D816,189 S * 4/2018 Nieuwoudt D23/249
2005/0280169 A1 * 12/2005 Yao B01D 3/163
261/114.3
2007/0023938 A1 * 2/2007 Fischer B01D 3/163
261/114.4
2008/0018003 A1 1/2008 Pilling et al.
2011/0278745 A1 11/2011 Pilling et al.
2017/0007971 A1 1/2017 Nieuwoudt et al.

OTHER PUBLICATIONS

BK1126-Kaibel_R1_280906; Symposium Series No. 152; 2006
IChemE; Unfixed Dividing Wall Technology for Packed and Tray
Distillation Columns; 9 pages.

* cited by examiner

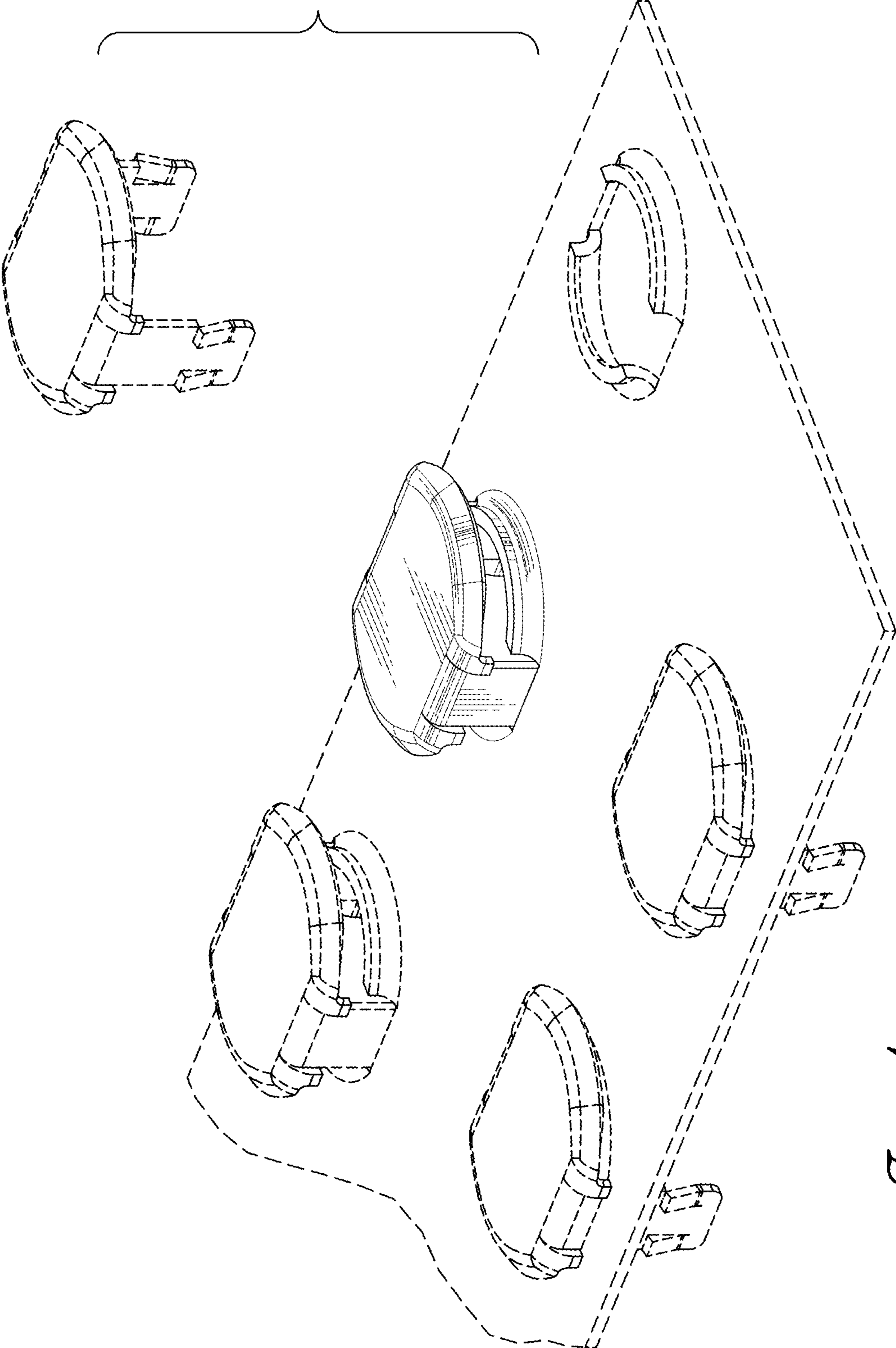


Fig. 1.

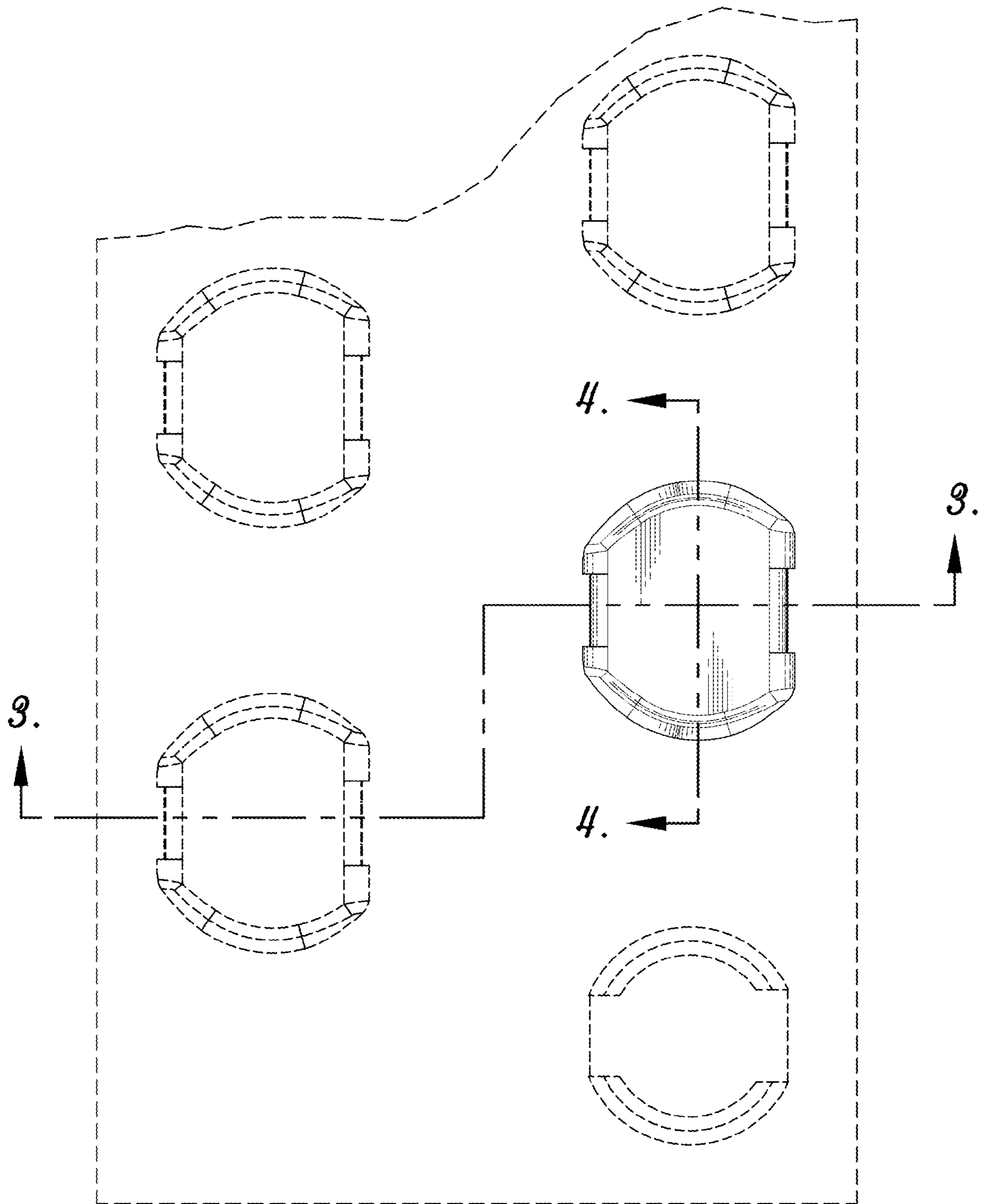


Fig. 2.

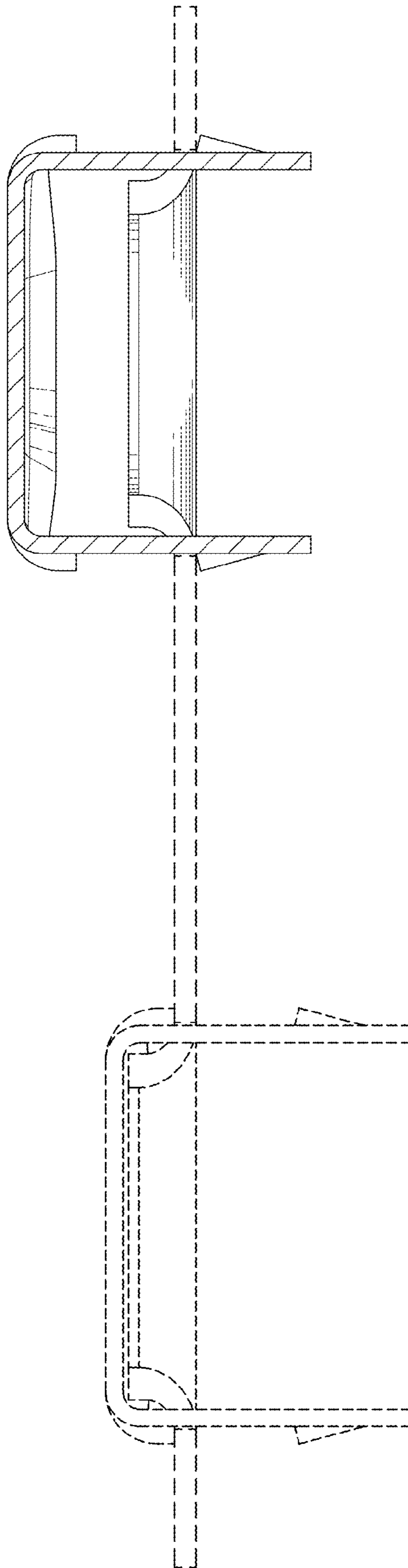


Fig. 3.

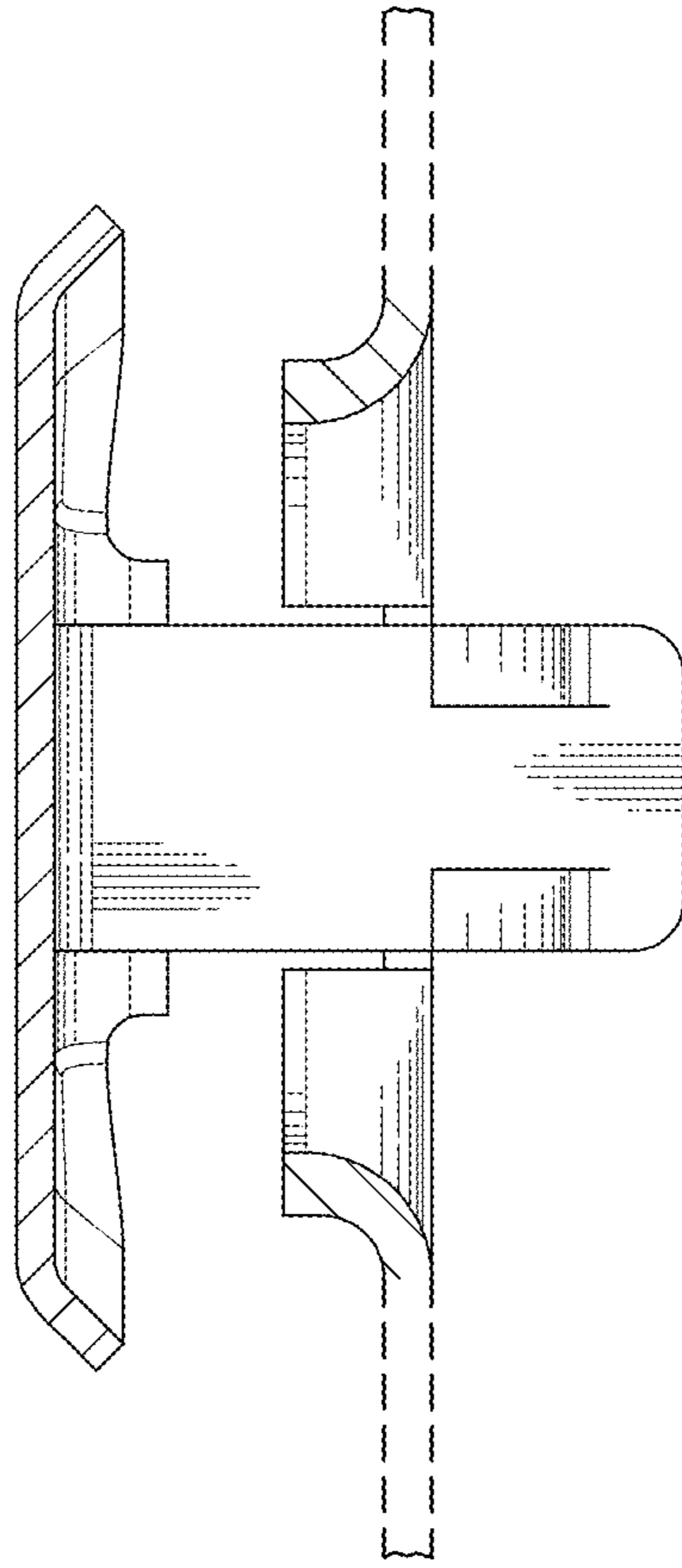


Fig. 4.

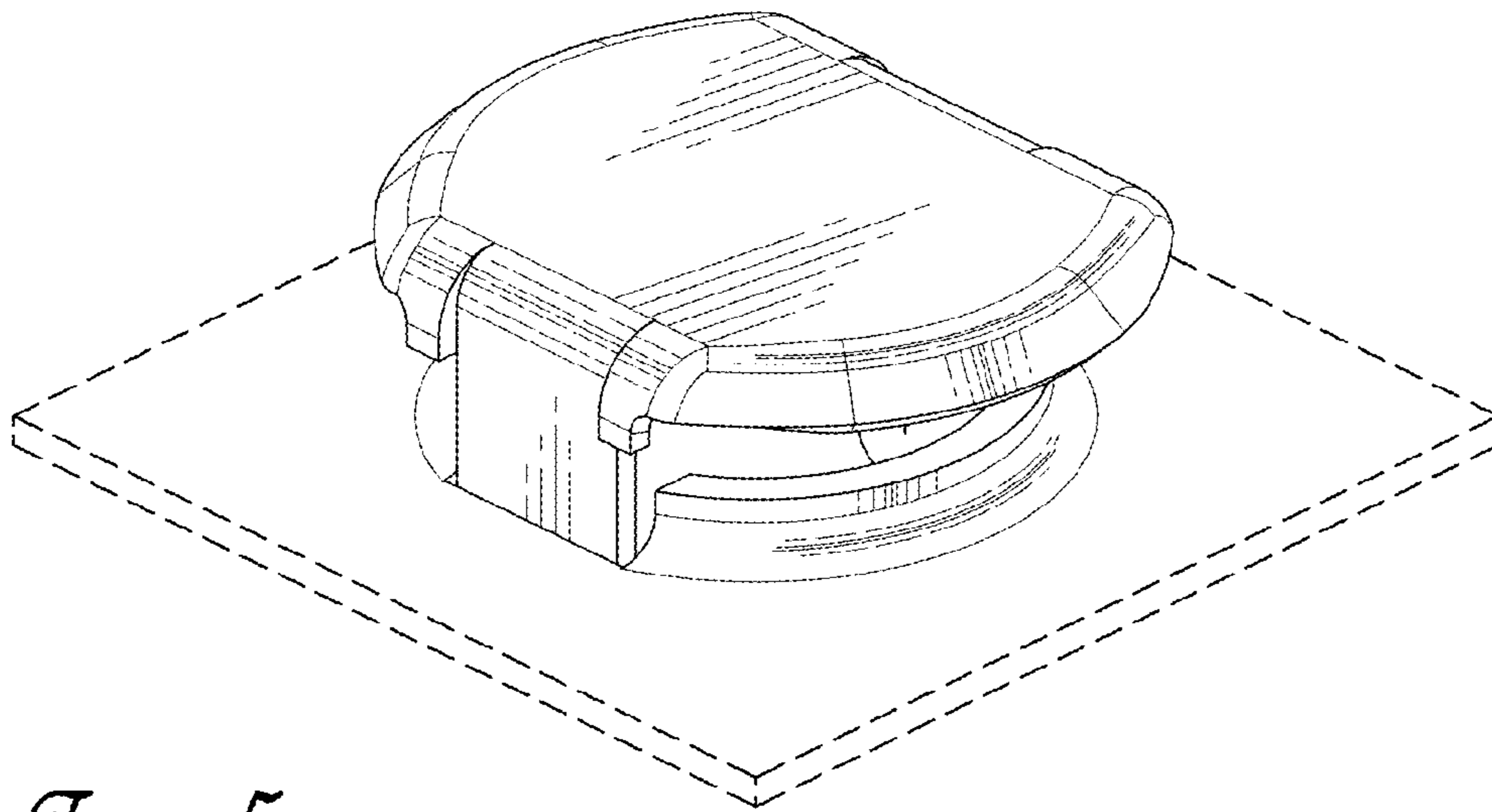


Fig. 5.

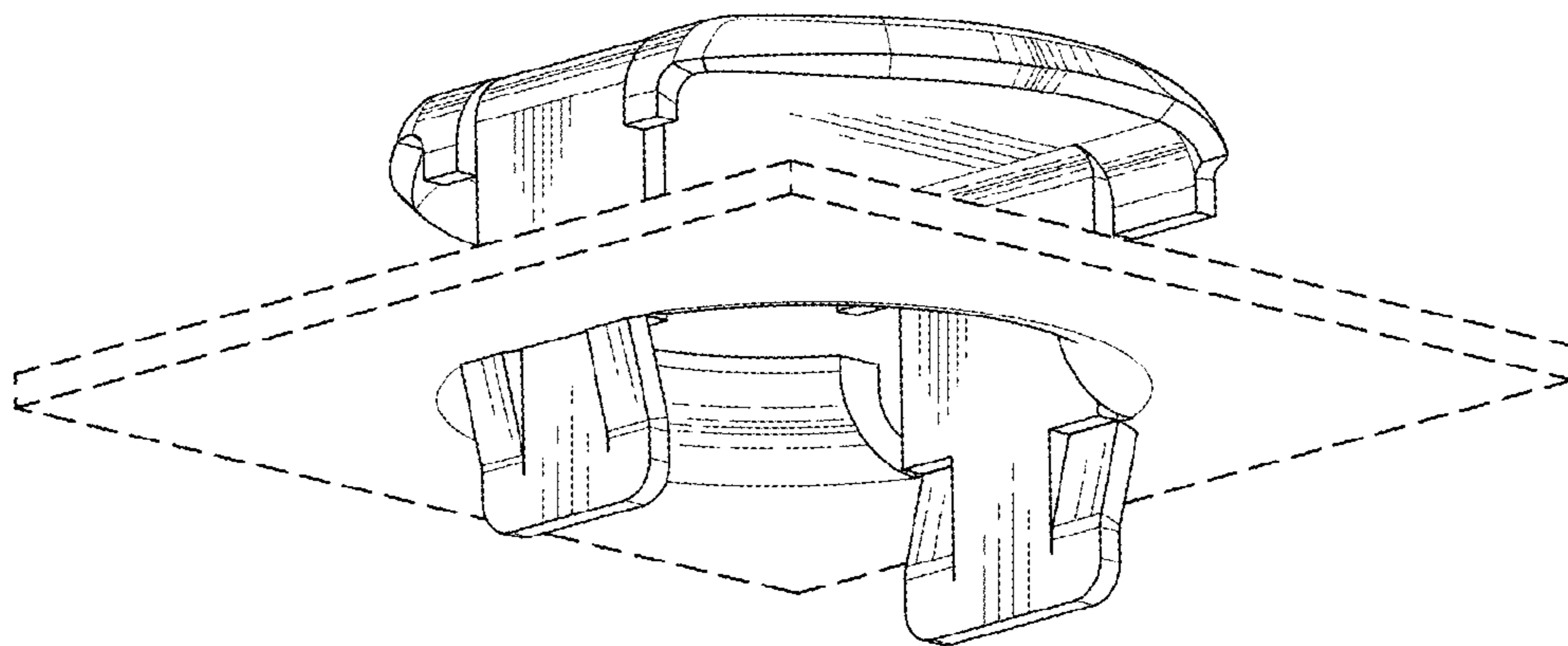


Fig. 6.

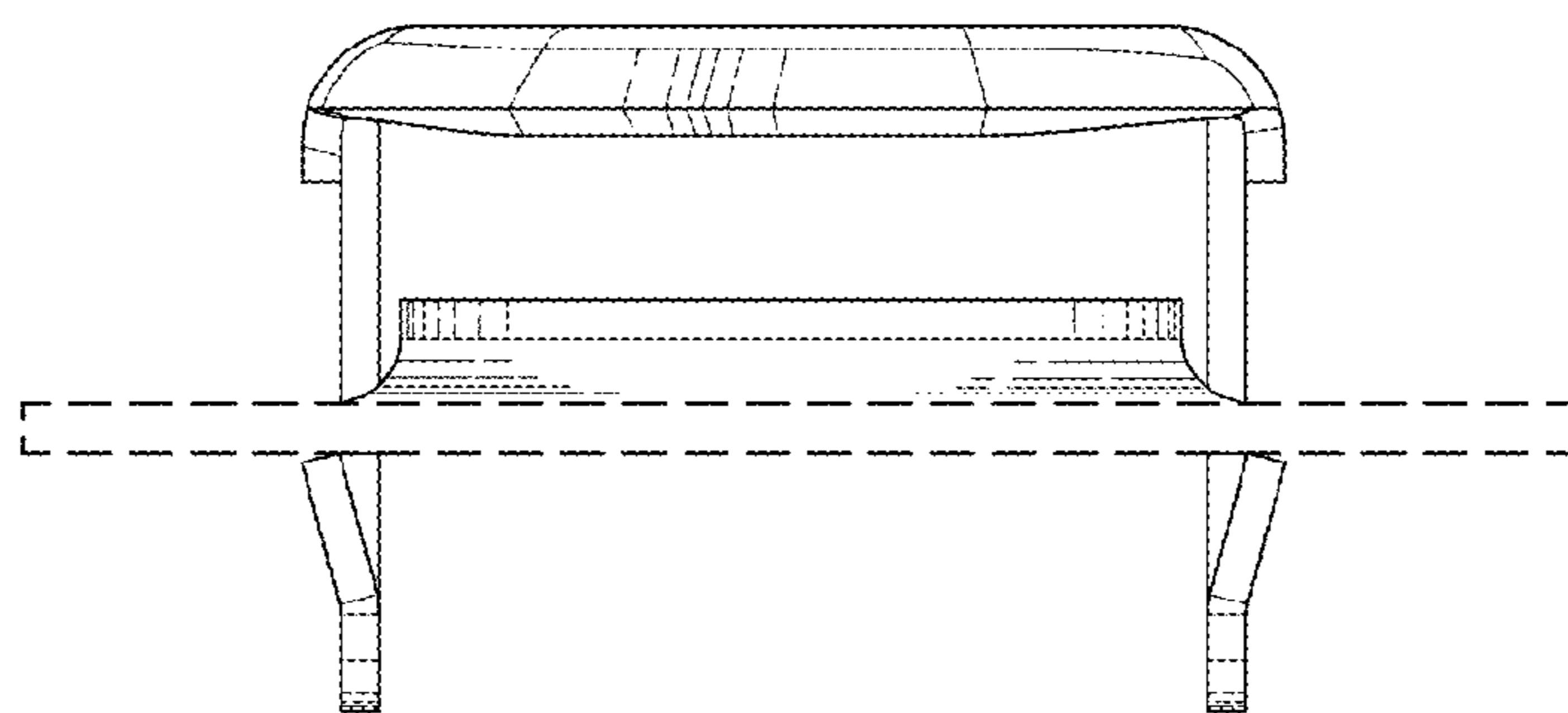


Fig. 7.

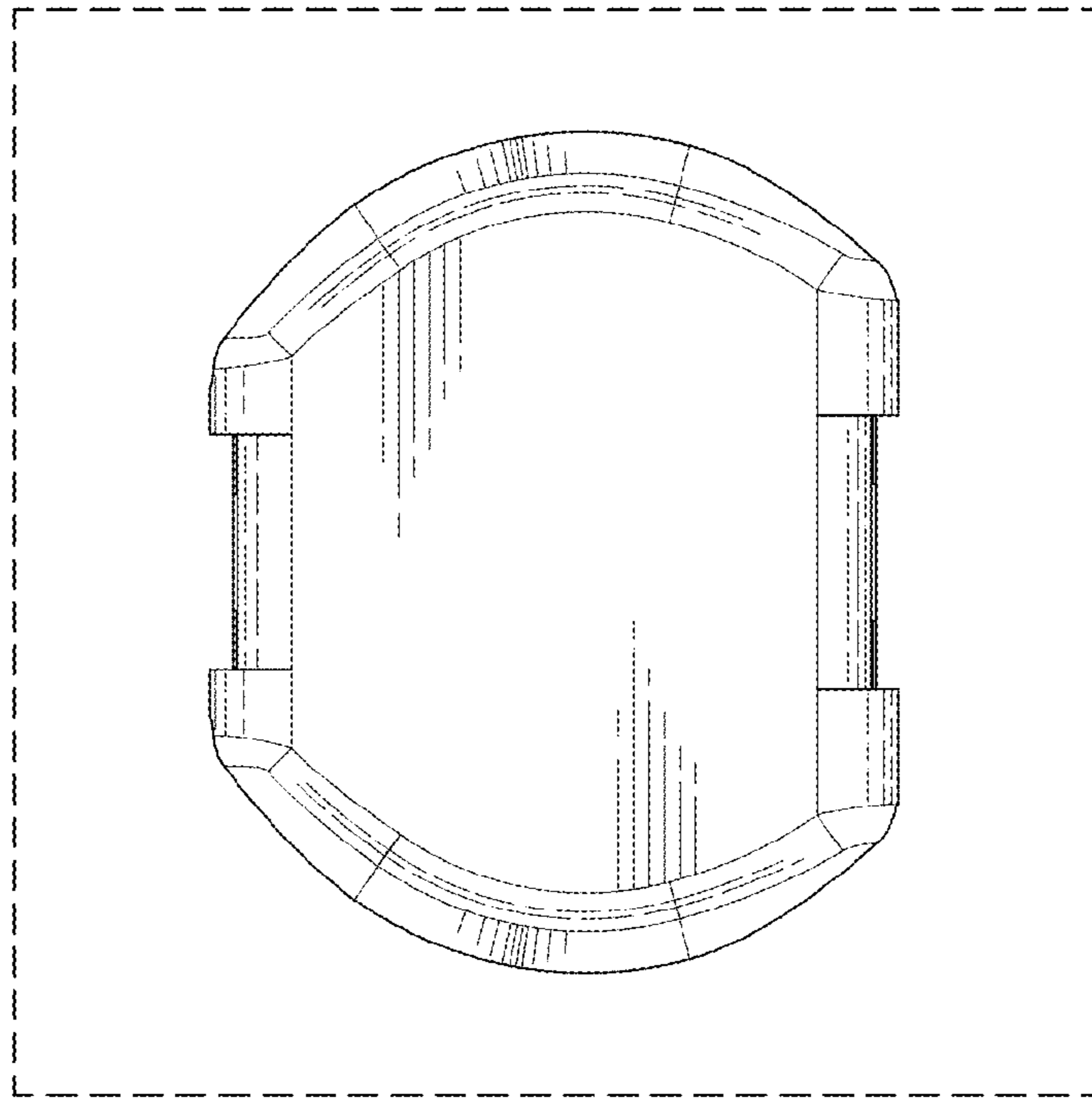


Fig. 8.

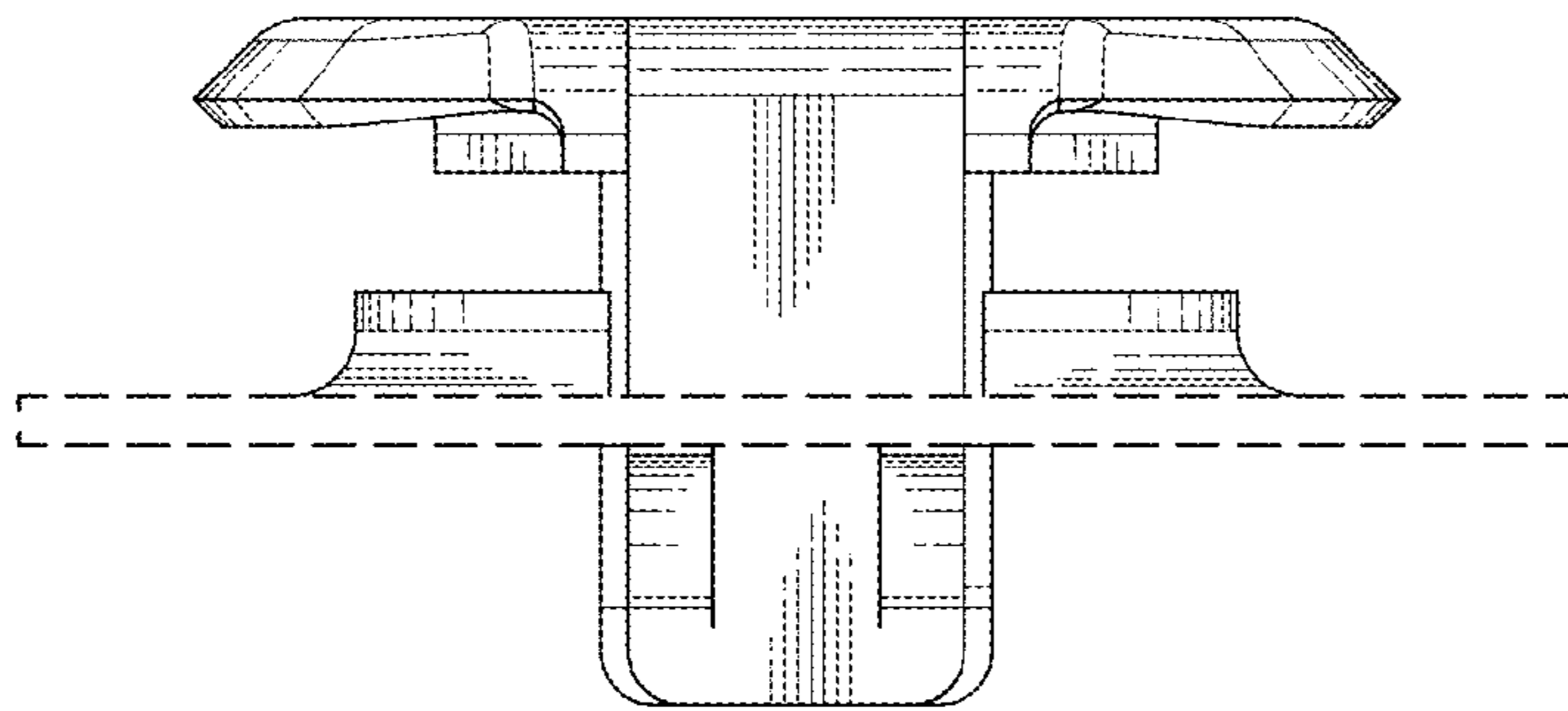


Fig. 9.

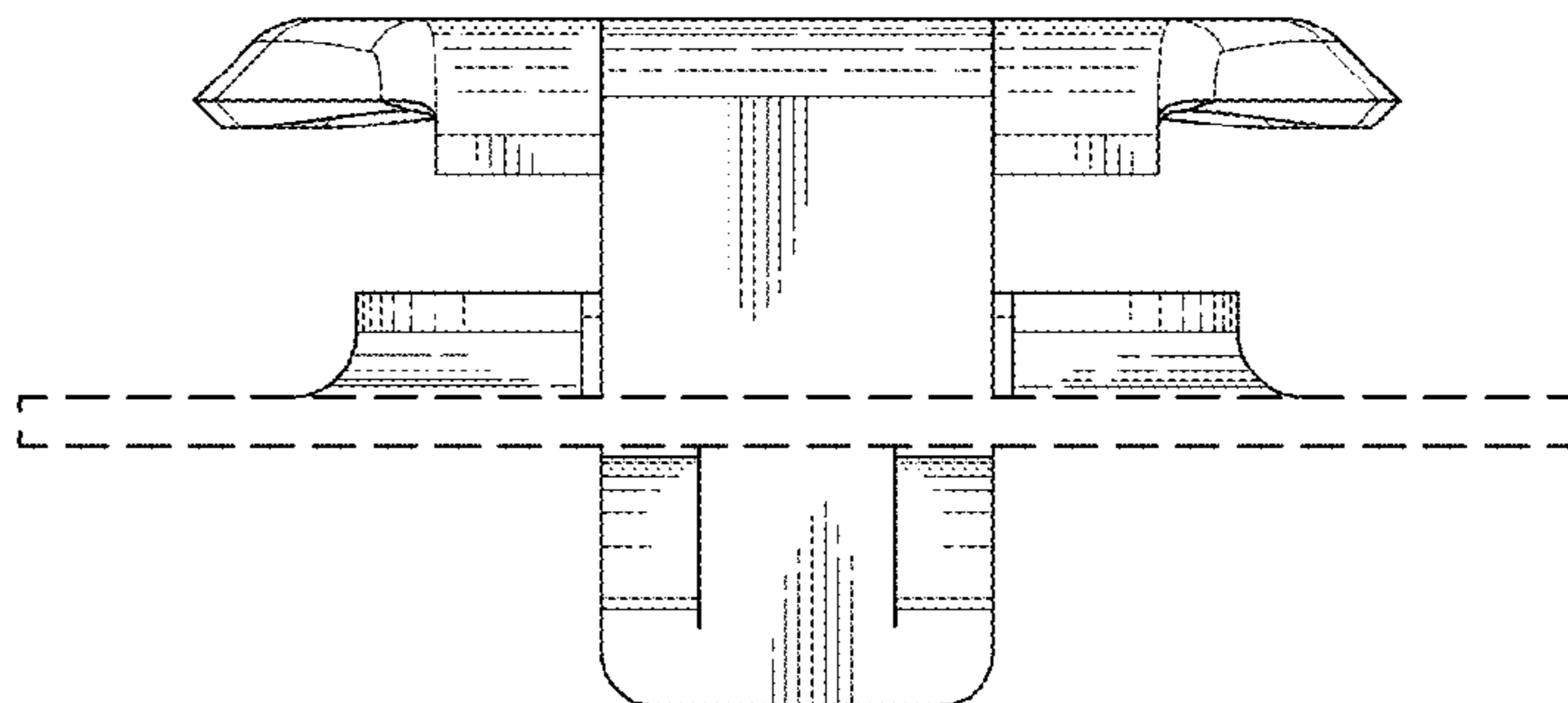


Fig. 10.

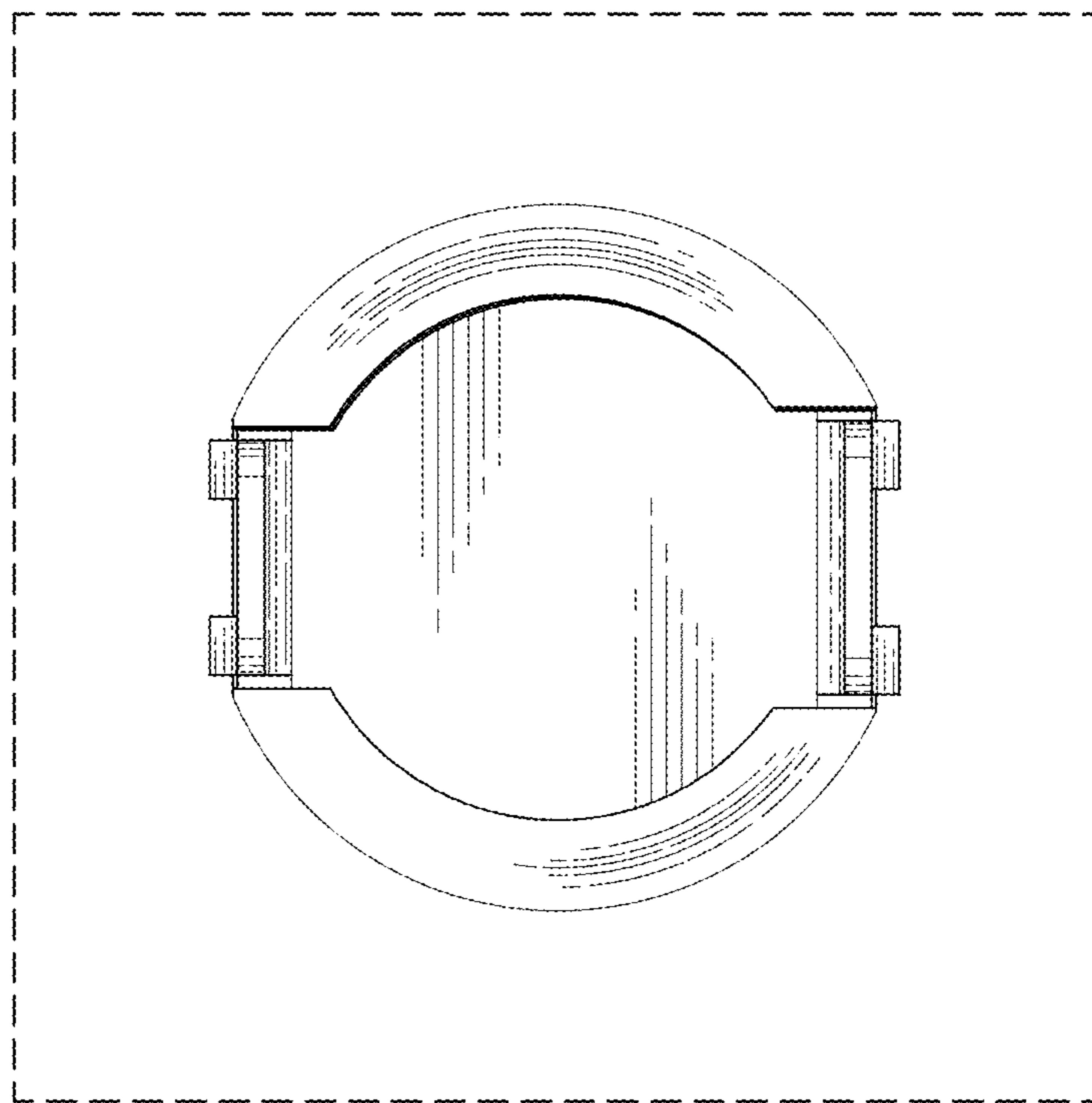


Fig. 11.