



US00D898163S

(12) **United States Design Patent**  
**Tempel**

(10) **Patent No.:** **US D898,163 S**

(45) **Date of Patent:** **\*\* Oct. 6, 2020**

- (54) **FAUCET STREAM STRAIGHTENERS**
- (71) Applicant: **Neoperl GmbH**, Mullheim (DE)
- (72) Inventor: **Marc Tempel**, Freiburg (DE)
- (73) Assignee: **Neoperl GmbH**, Müllheim (DE)
- (\*\*) Term: **15 Years**
- (21) Appl. No.: **29/649,938**
- (22) Filed: **Jun. 4, 2018**

**Related U.S. Application Data**

- (62) Division of application No. 35/502,057, filed on Nov. 23, 2016 (U.S. filing date under 35 U.S.C. 384), and having an international filing date of Nov. 23, 2016, now Pat. No. Des. 822,159.
- (51) **LOC (12) Cl.** ..... **23-01**
- (52) **U.S. Cl.**  
USPC ..... **D23/213**
- (58) **Field of Classification Search**  
USPC ..... D23/213, 229, 233, 235, 247-249;  
239/428.5, 437; 261/DIG. 22; 366/276,  
366/364, 365  
CPC ..... B05B 7/0425; E03C 1/08; E03C 1/084;  
E03C 1/086; E03C 2001/026  
See application file for complete search history.

(56) **References Cited**

**U.S. PATENT DOCUMENTS**

D529,588 S	10/2006	Grether
D539,873 S	4/2007	Grether
D550,814 S	9/2007	Grether
D550,815 S	9/2007	Grether
D550,816 S	9/2007	Grether
D550,817 S	9/2007	Grether

D550,818 S	9/2007	Grether	
D605,732 S	12/2009	Stein	
D612,911 S	3/2010	Grether	
D622,355 S	8/2010	Grether	
D684,241 S	6/2013	Tempel	
D688,774 S	8/2013	Tempel	
D691,238 S	10/2013	Grether	
D728,740 S	5/2015	Tempel	
D745,641 S	12/2015	Blum	
D752,710 S	3/2016	Tempel	
D776,240 S	1/2017	Huang et al.	
D776,242 S	1/2017	Blum	
D788,264 S	5/2017	Stein	
D797,236 S	9/2017	Blum	
D822,159 S *	7/2018	Tempel	D23/213
D840,503 S *	2/2019	Stein	D23/213
D844,747 S *	4/2019	Blum	D23/213
D844,748 S *	4/2019	Schurle	D23/213
2009/0173405 A1	7/2009	Denzler	
2016/0222637 A1	8/2016	Stein	

\* cited by examiner

*Primary Examiner* — Keli L Hill

(74) *Attorney, Agent, or Firm* — Volpe and Koenig, P.C.

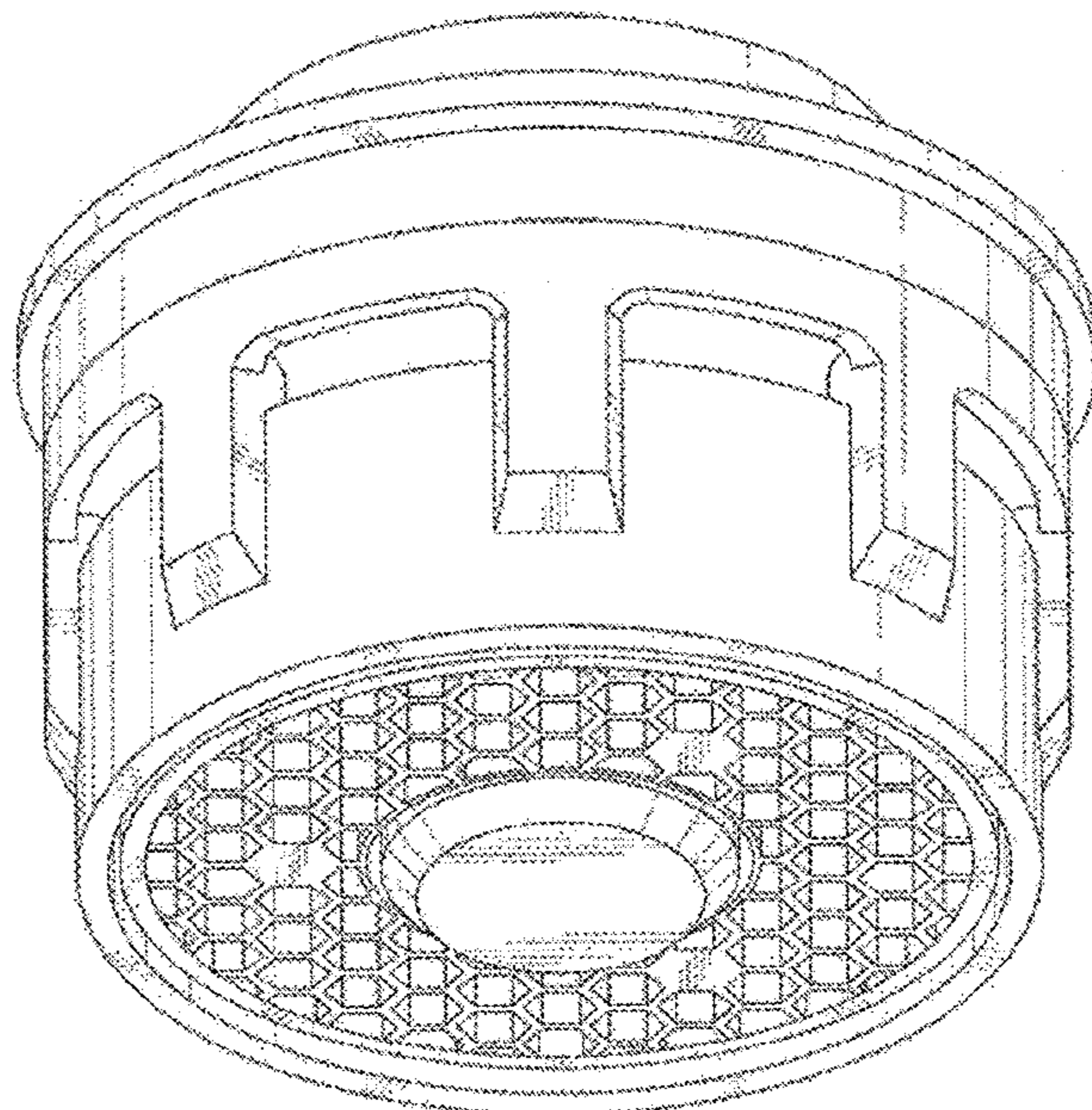
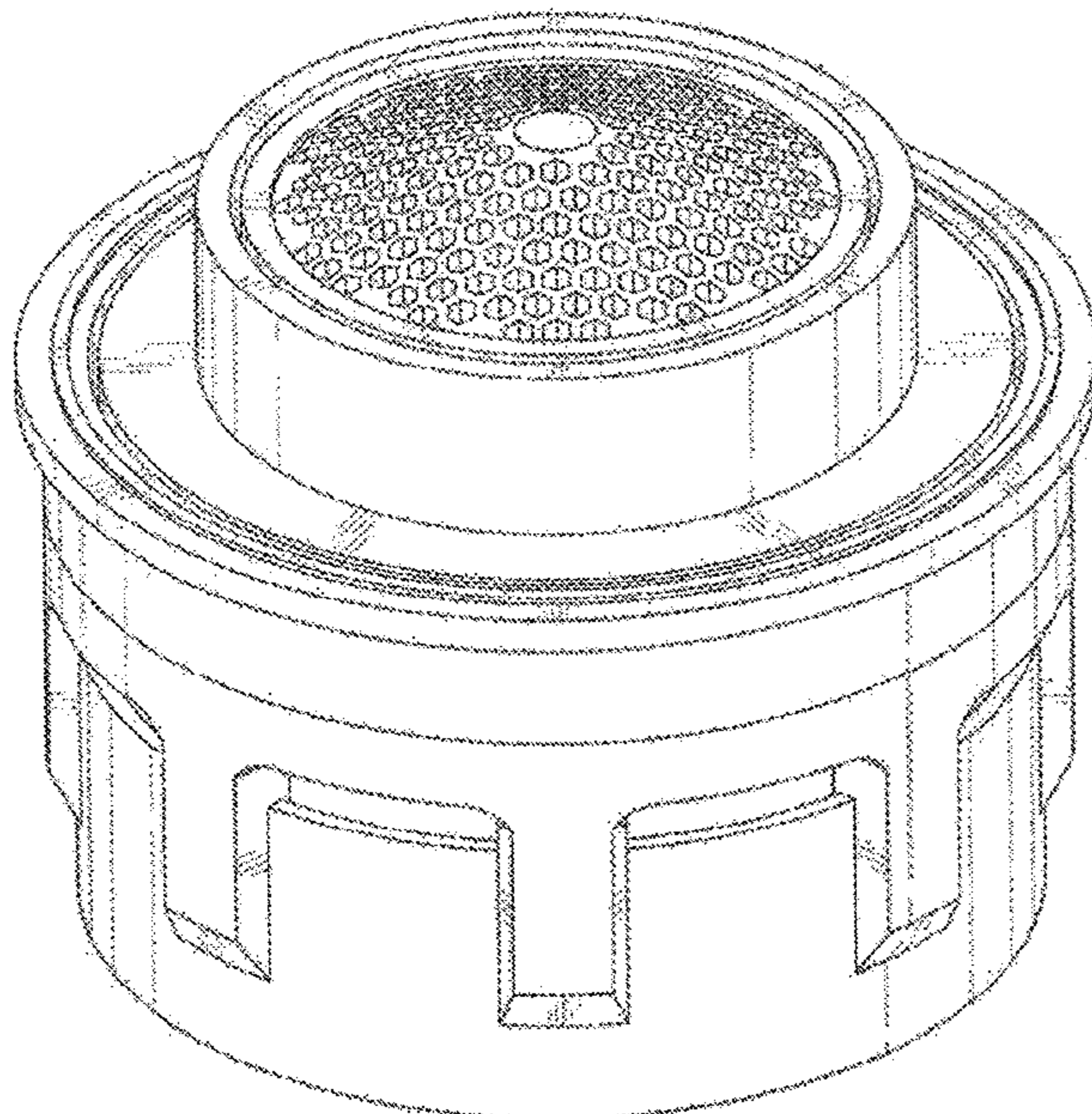
(57) **CLAIM**

I claim the ornamental design for a faucet stream straightener, as shown and described.

**DESCRIPTION**

FIG. 1 is a top view of a faucet stream straightener in accordance with my design;  
 FIG. 2 is a top perspective view thereof;  
 FIG. 3 is a bottom plan view thereof;  
 FIG. 4 is a bottom perspective view thereof;  
 FIG. 5 is a front elevational view thereof;  
 FIG. 6 is a right side elevational view thereof;  
 FIG. 7 is a rear side elevational view thereof; and,  
 FIG. 8 is a left side elevational view thereof.

**1 Claim, 8 Drawing Sheets**



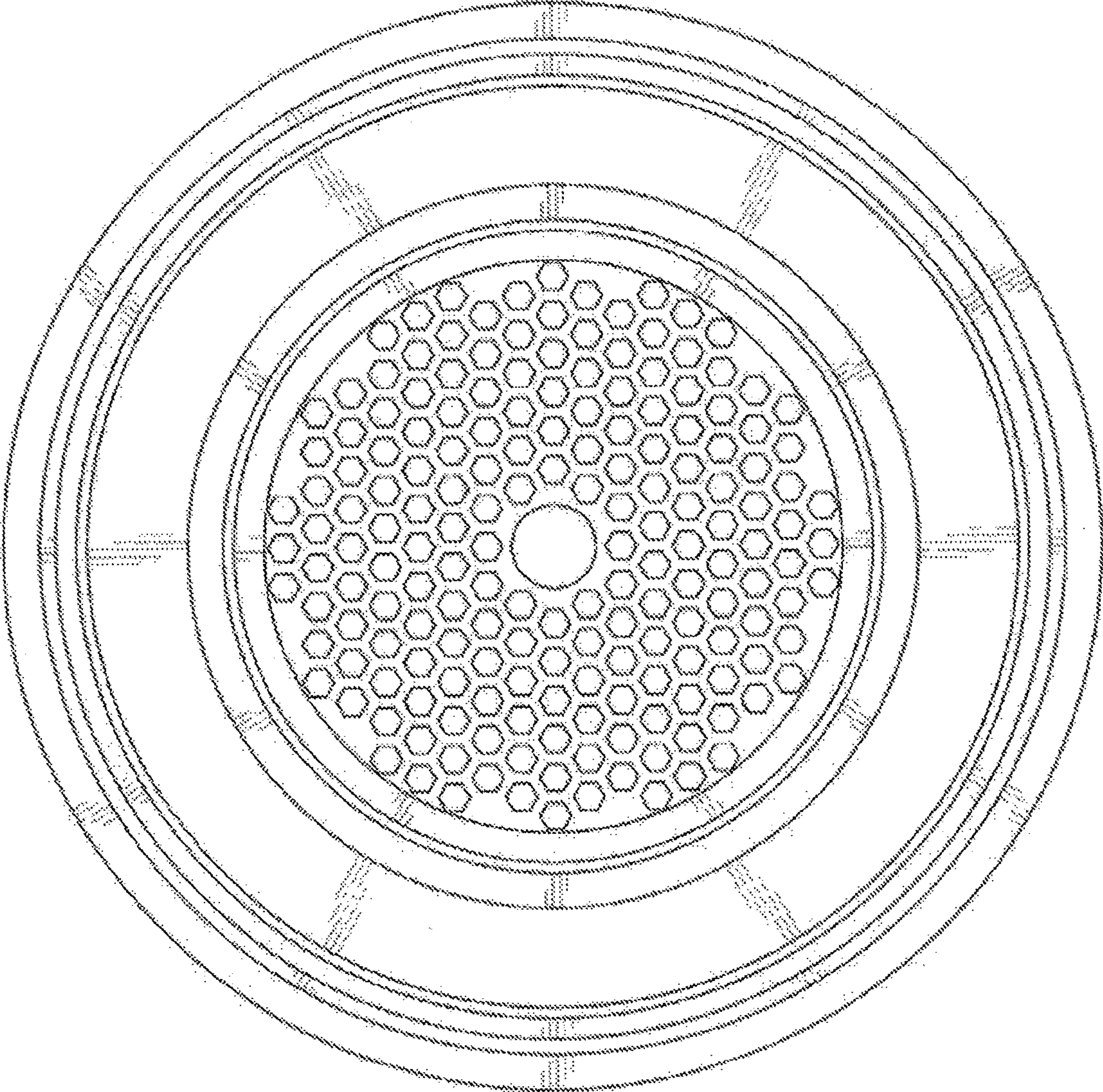


Fig. 1

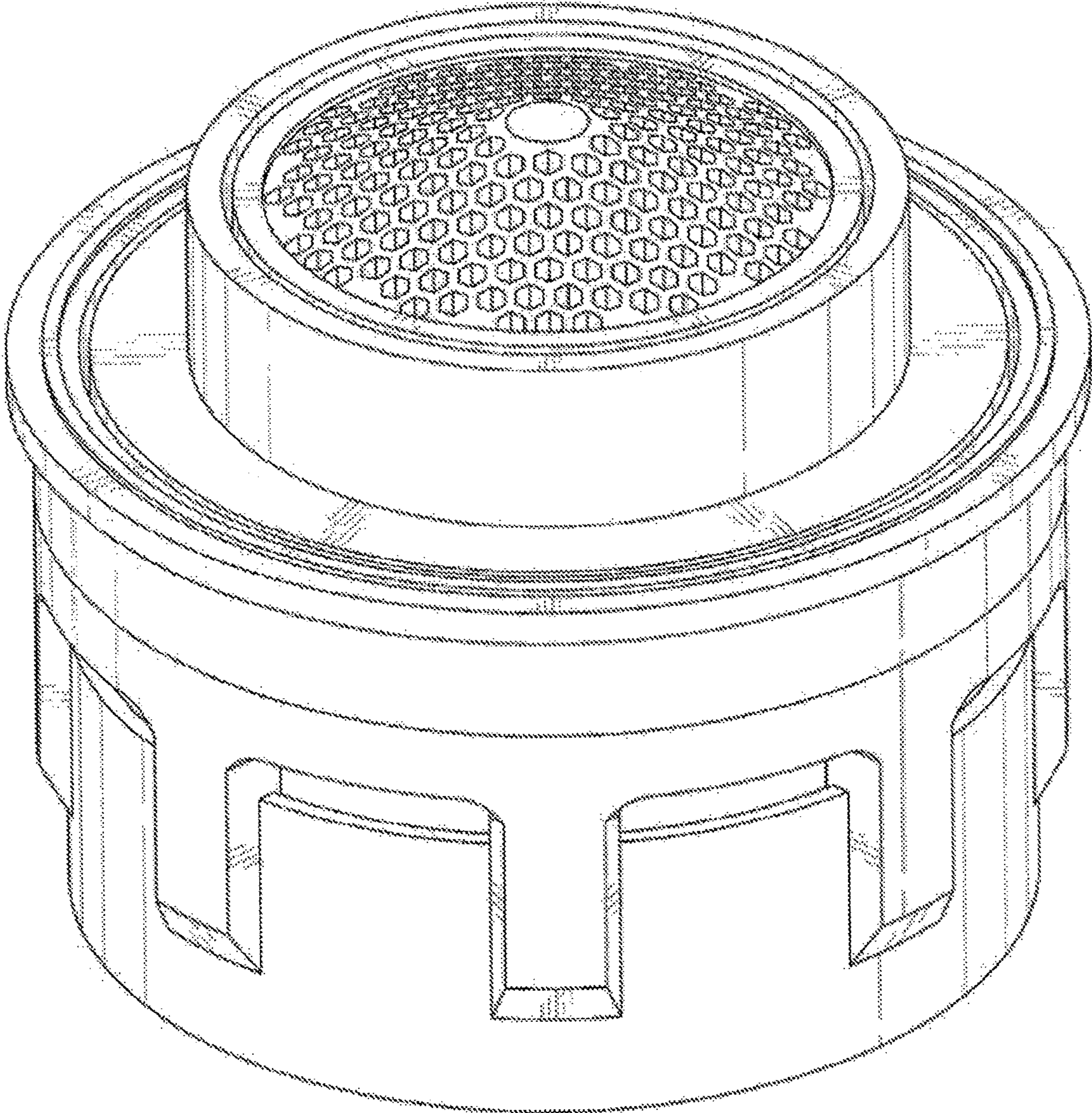


Fig. 2

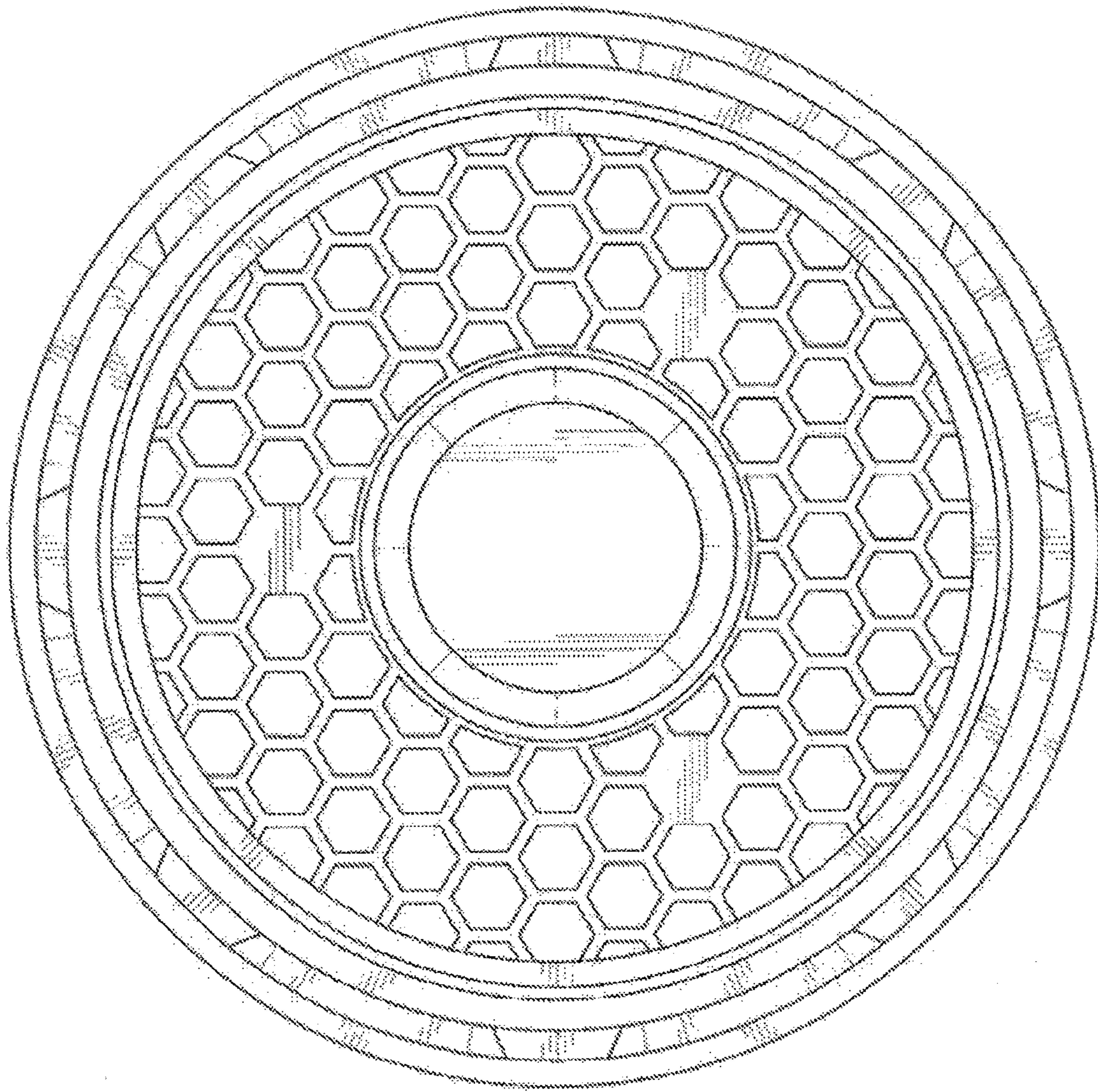


Fig. 3

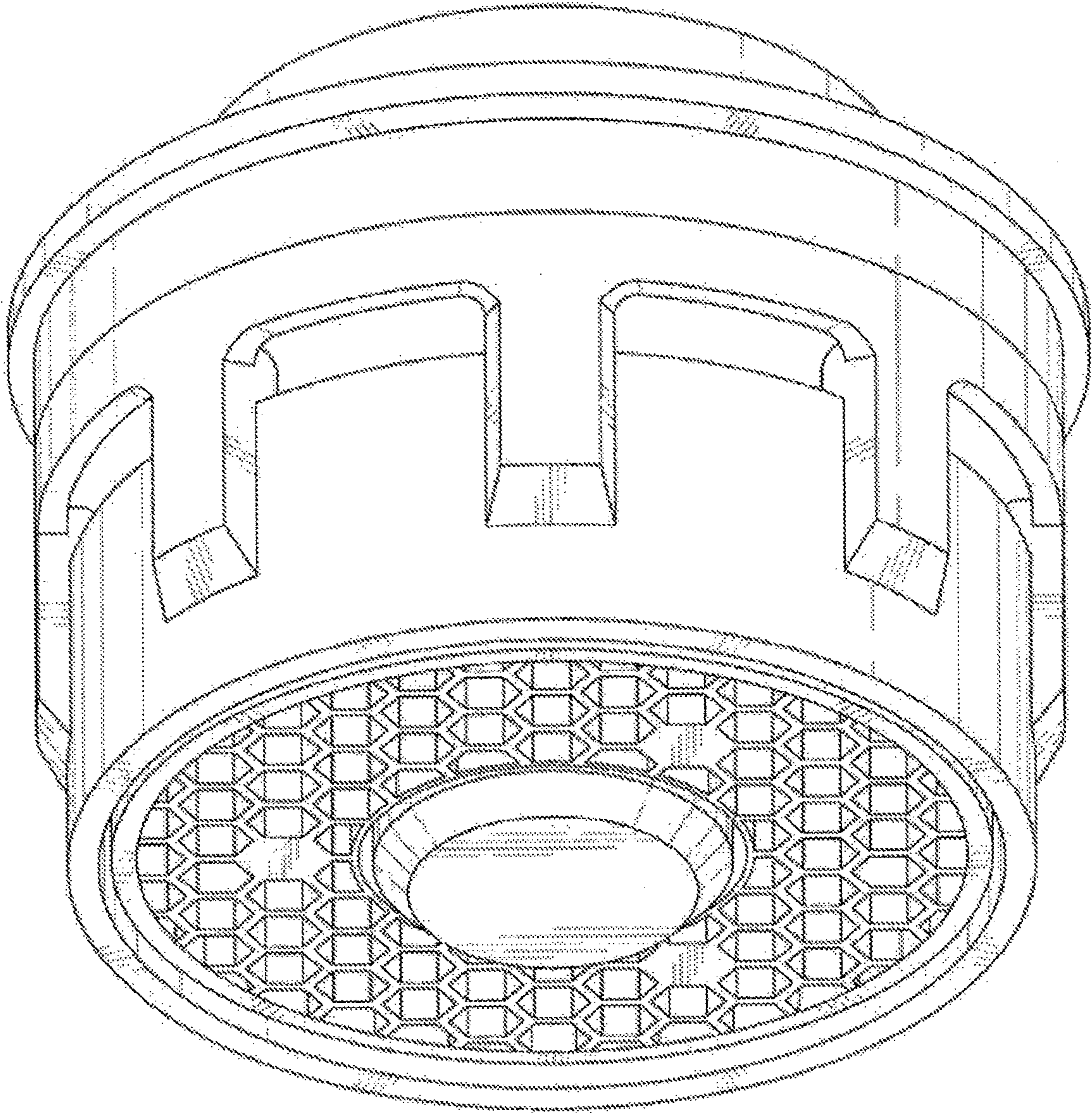


Fig. 4

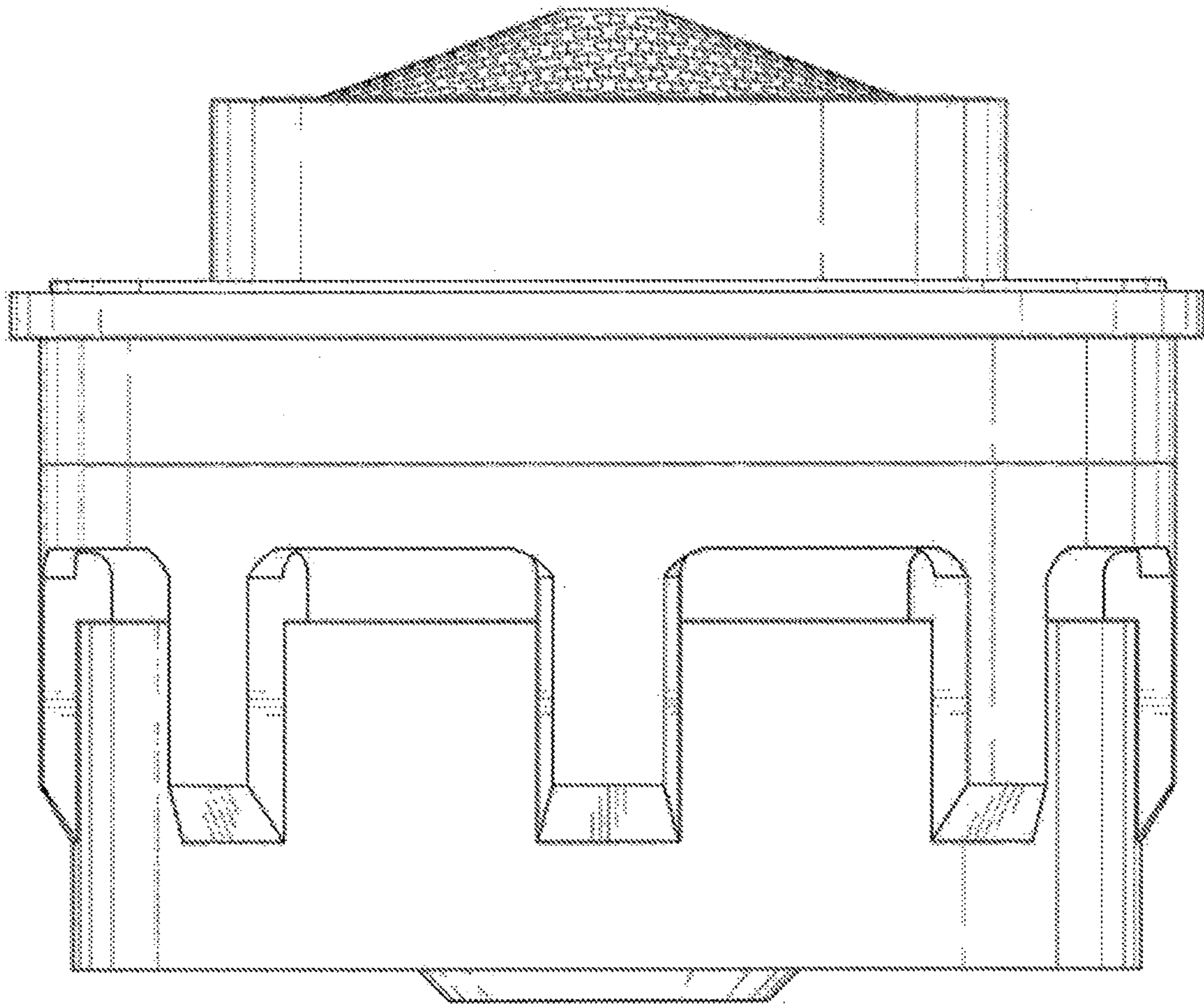


Fig. 5

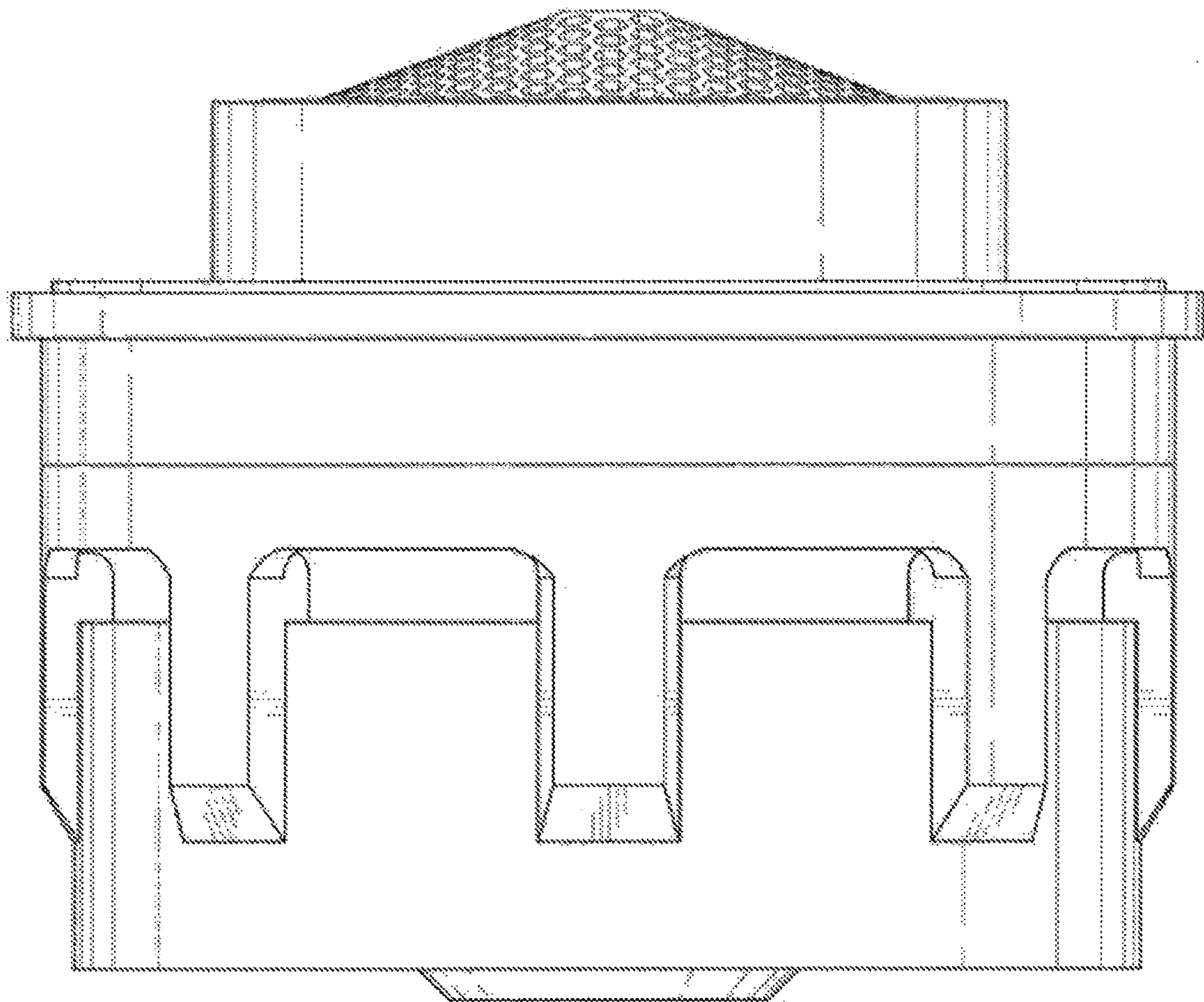


Fig. 6

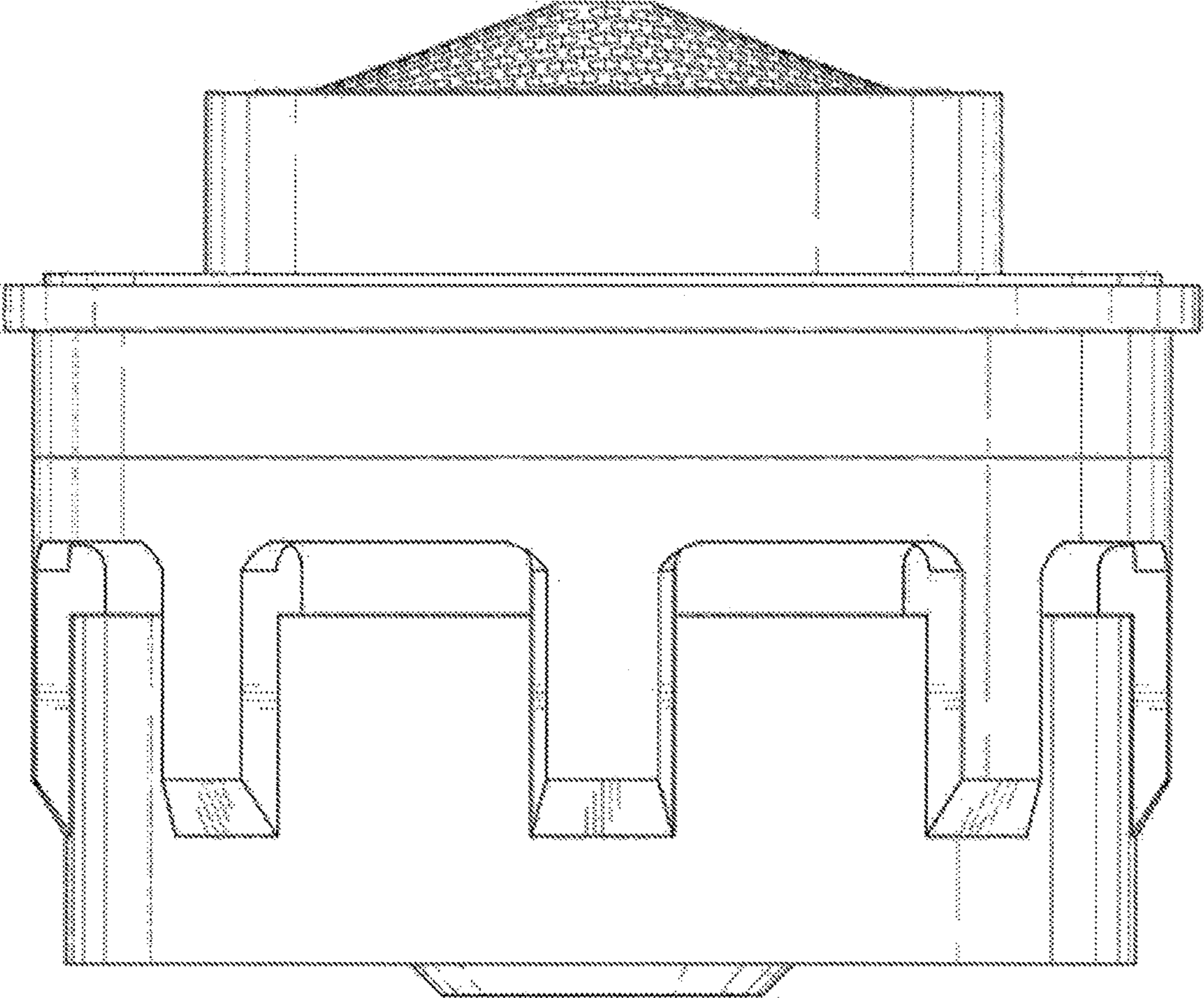


Fig. 7



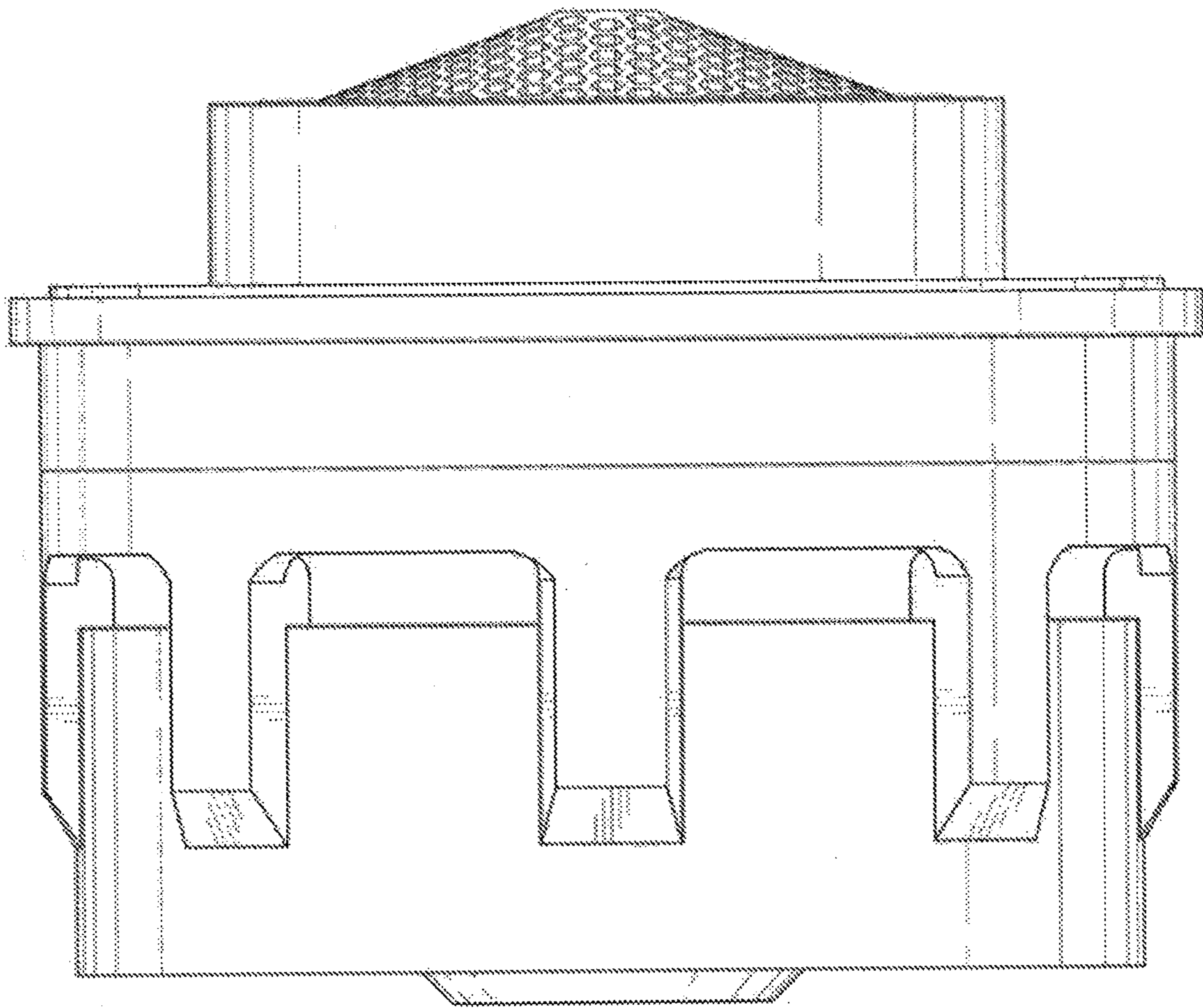


Fig. 8