



US00D898162S

(12) **United States Design Patent** (10) **Patent No.:** **US D898,162 S**
Tomczyk et al. (45) **Date of Patent:** **** Oct. 6, 2020**

(54) **TOILET RIM BLOCK HOLDER**

- (71) Applicant: **DRAMERS S.A.**, Swarzed (PL)
- (72) Inventors: **Piotr Tomczyk**, Poznan (PL); **Jerzy Dobosz**, Poznan (PL)
- (73) Assignee: **DRAMERS S.A.**, Swarzedz (PL)
- (**) Term: **15 Years**
- (21) Appl. No.: **29/648,891**
- (22) Filed: **May 24, 2018**
- (51) **LOC (12) Cl.** **23-01**
- (52) **U.S. Cl.**
USPC **D23/208**
- (58) **Field of Classification Search**
USPC D23/207, 208; D28/8.1; D21/503
CPC ... E03D 9/032; E03D 9/005; E03D 2009/024;
A61L 9/05
See application file for complete search history.

(56) **References Cited**

U.S. PATENT DOCUMENTS

| | | | |
|--------------|---------|------------|---------|
| D556,854 S | 12/2007 | Cheung | |
| D655,778 S * | 3/2012 | Muhlhausen | D23/208 |
| D656,575 S * | 3/2012 | Muhlhausen | D23/208 |
| D656,576 S | 3/2012 | Muhlhausen | |
| D689,167 S * | 9/2013 | Gerhards | D23/208 |
| D740,649 S | 10/2015 | Evans | |
| D762,810 S * | 8/2016 | Venini | D23/208 |
| D772,377 S * | 11/2016 | Gerhards | D23/208 |
| D784,491 S * | 4/2017 | Hale | D23/208 |
| D787,632 S * | 5/2017 | Gerhards | D23/208 |
| D787,633 S * | 5/2017 | Gerhards | D23/208 |

(Continued)

FOREIGN PATENT DOCUMENTS

| | | |
|----|----------------|---------|
| EM | 002133314-0001 | 11/2012 |
| WO | D079761-001 | 12/2012 |

(Continued)

OTHER PUBLICATIONS

<https://www.amazon.com/Lysol-Automatic-Toilet-Cleaner-Atlantic/> (Year: 2016).*

(Continued)

Primary Examiner — Manpreet S Matharu

Assistant Examiner — Keith J Wilson

(74) *Attorney, Agent, or Firm* — Katten Muchin Rosenman LLP

(57) **CLAIM**

The ornamental design for a toilet rim block holder, as shown and described.

DESCRIPTION

FIG. 1 depicts a front right perspective view of the toilet rim block holder.

FIG. 2 depicts a rear right perspective view of the toilet rim block holder of FIG. 1.

FIG. 3 depicts a front left perspective view of the toilet rim block holder of FIG. 1.

FIG. 4 depicts a rear left perspective view of the toilet rim block holder of FIG. 1.

FIG. 5 depicts a front elevation view of the toilet rim block holder of FIG. 1.

FIG. 6 depicts a rear elevation view of the toilet rim block holder of FIG. 1.

FIG. 7 depicts a top plan view of the toilet rim block holder of FIG. 1.

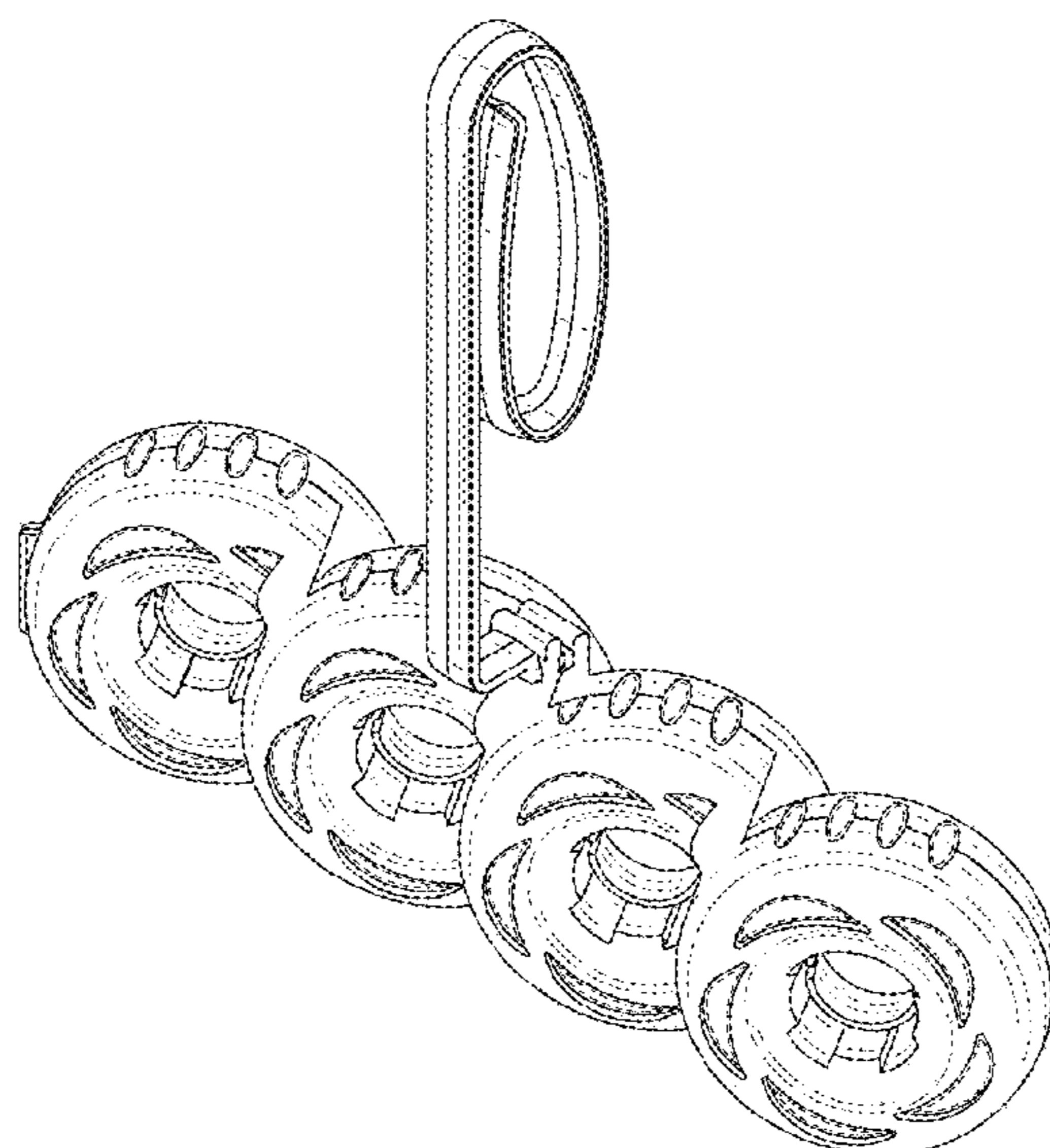
FIG. 8 depicts a bottom plan view of the toilet rim block holder of FIG. 1.

FIG. 9 depicts a left side elevation view of the toilet rim block holder of FIG. 1; and,

FIG. 10 depicts a right side elevation view of the toilet rim block holder of FIG. 1.

The broken line shown represent portion of a toilet rim block holder and form no part of the claimed design.

1 Claim, 10 Drawing Sheets



(56)

References Cited

U.S. PATENT DOCUMENTS

D788,258 S * 5/2017 Gerhards D23/208
D788,259 S * 5/2017 Gerhards D23/208
D788,260 S * 5/2017 Gerhards D23/208
D788,261 S * 5/2017 Gerhards D23/208
D788,262 S 5/2017 Gerhards
D789,485 S * 6/2017 Hale D23/208
D790,034 S * 6/2017 Gerhards D23/208
D790,035 S * 6/2017 Gerhards D23/208
D790,037 S * 6/2017 Gerhards D23/208
D790,658 S * 6/2017 Gerhards D23/208
D791,274 S 7/2017 Gerhards
D795,387 S * 8/2017 Gerhards D23/208
D795,388 S * 8/2017 Gerhards D23/208
D806,207 S * 12/2017 Gerhards D23/208
D806,208 S * 12/2017 Gerhards D23/208
D809,092 S * 1/2018 Gerhards D23/208
D820,946 S * 6/2018 Tomczyk D23/208
D823,984 S * 7/2018 Muller D23/208

D830,502 S * 10/2018 Nykowski D23/208
D830,504 S * 10/2018 Bos D23/208
D830,505 S * 10/2018 Bos D23/208

FOREIGN PATENT DOCUMENTS

WO D086070-001 4/2015
WO D086545-001 5/2015

OTHER PUBLICATIONS

Notice of Allowance dated Apr. 20, 2018, from U.S. Appl. No. 29/576,418, 11 sheets.
Office Action dated Mar. 20, 2018, from U.S. Appl. No. 29/576,418, 8 sheets.
Office Action dated Aug. 14, 2017, from U.S. Appl. No. 29/576,418, 27 sheets.
Brait Lilac Garden—new, [on-line]; [Internet publication date unknown]; [retrieved from the Internet on Jul. 26, 2017]; URL: <http://dramers.com.pl/en/nasze-marki/two-fase-toilet-rim-block/brait-lilac-garden-new/>. (1 page).

* cited by examiner

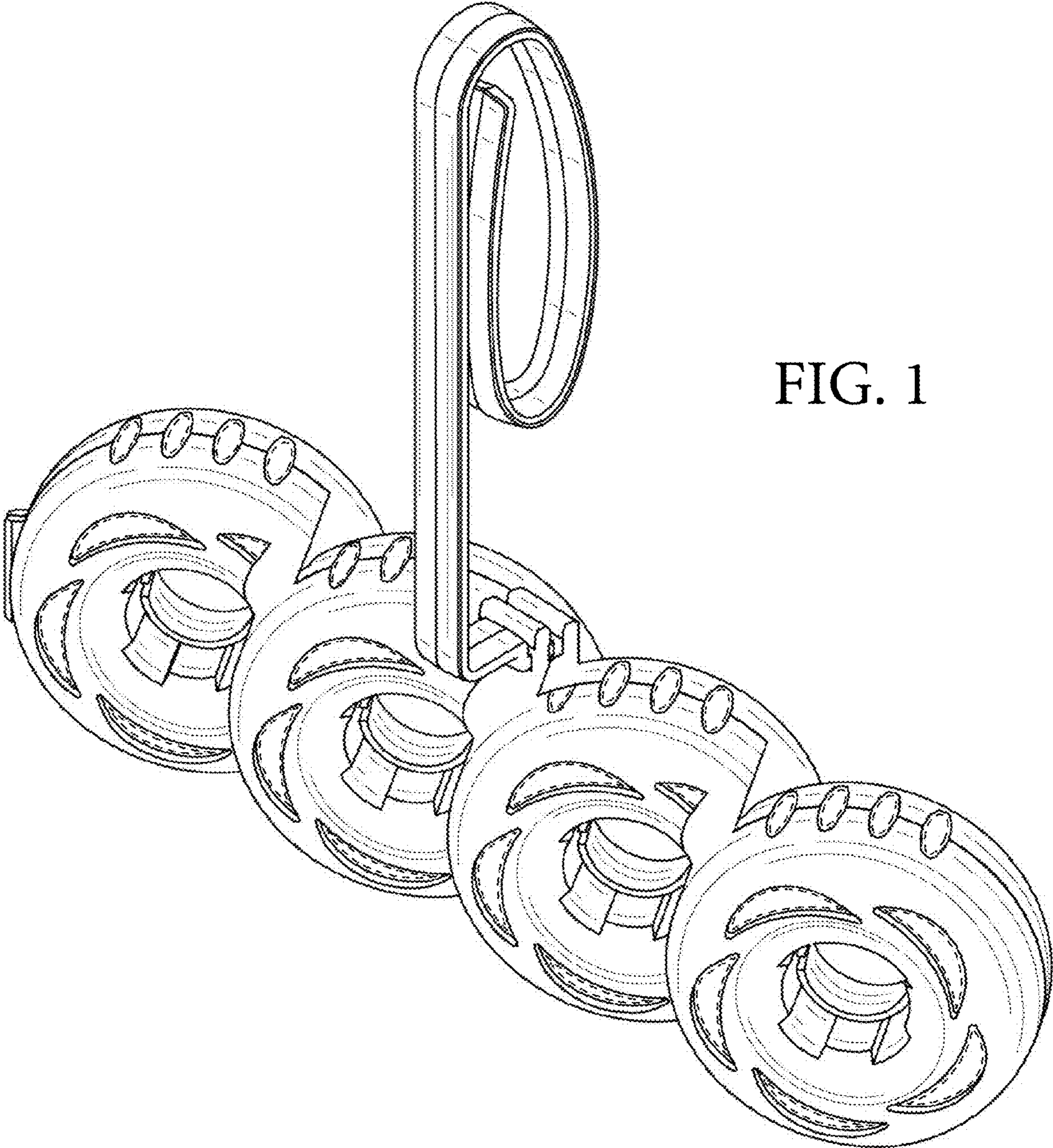


FIG. 1

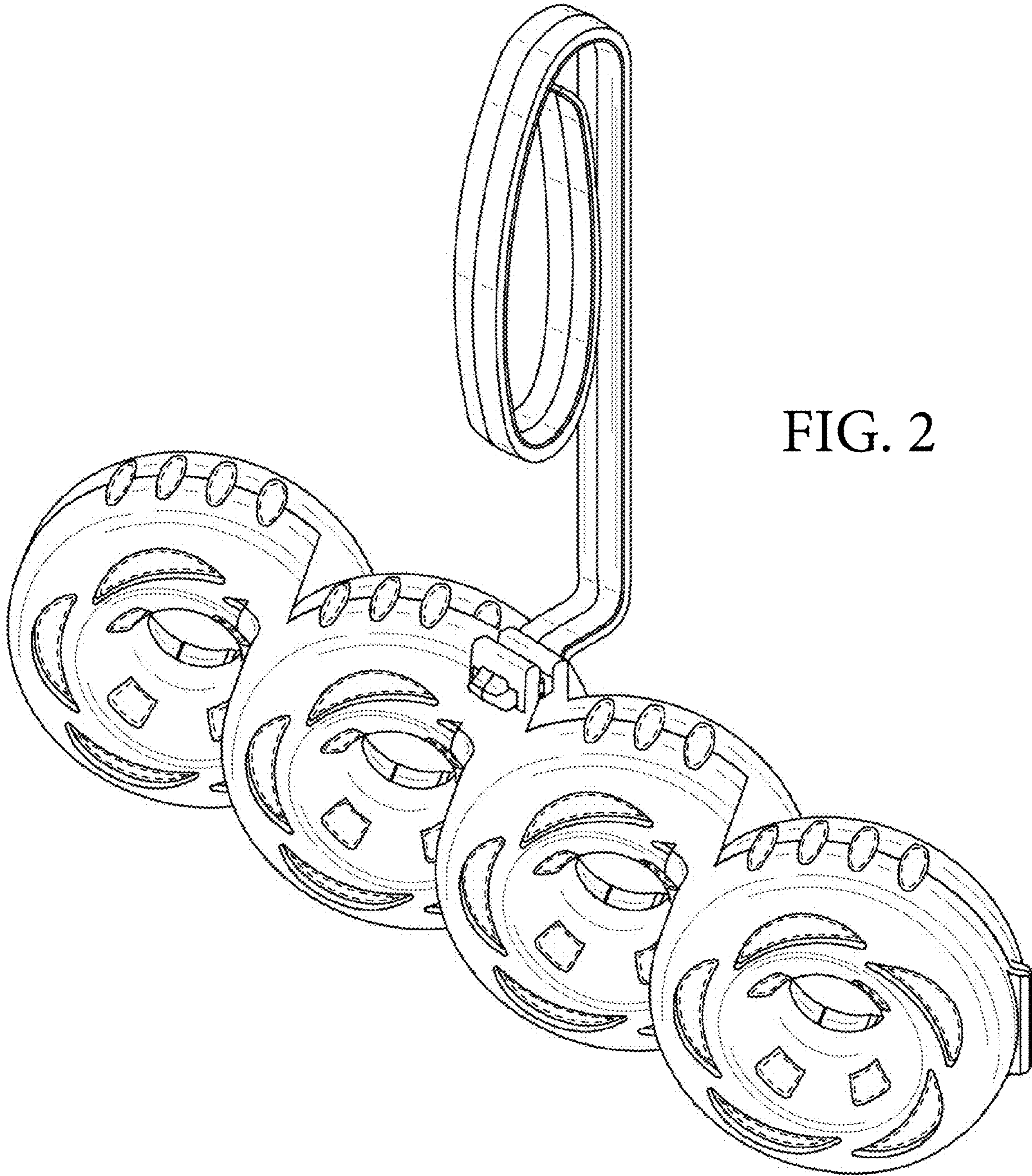


FIG. 2

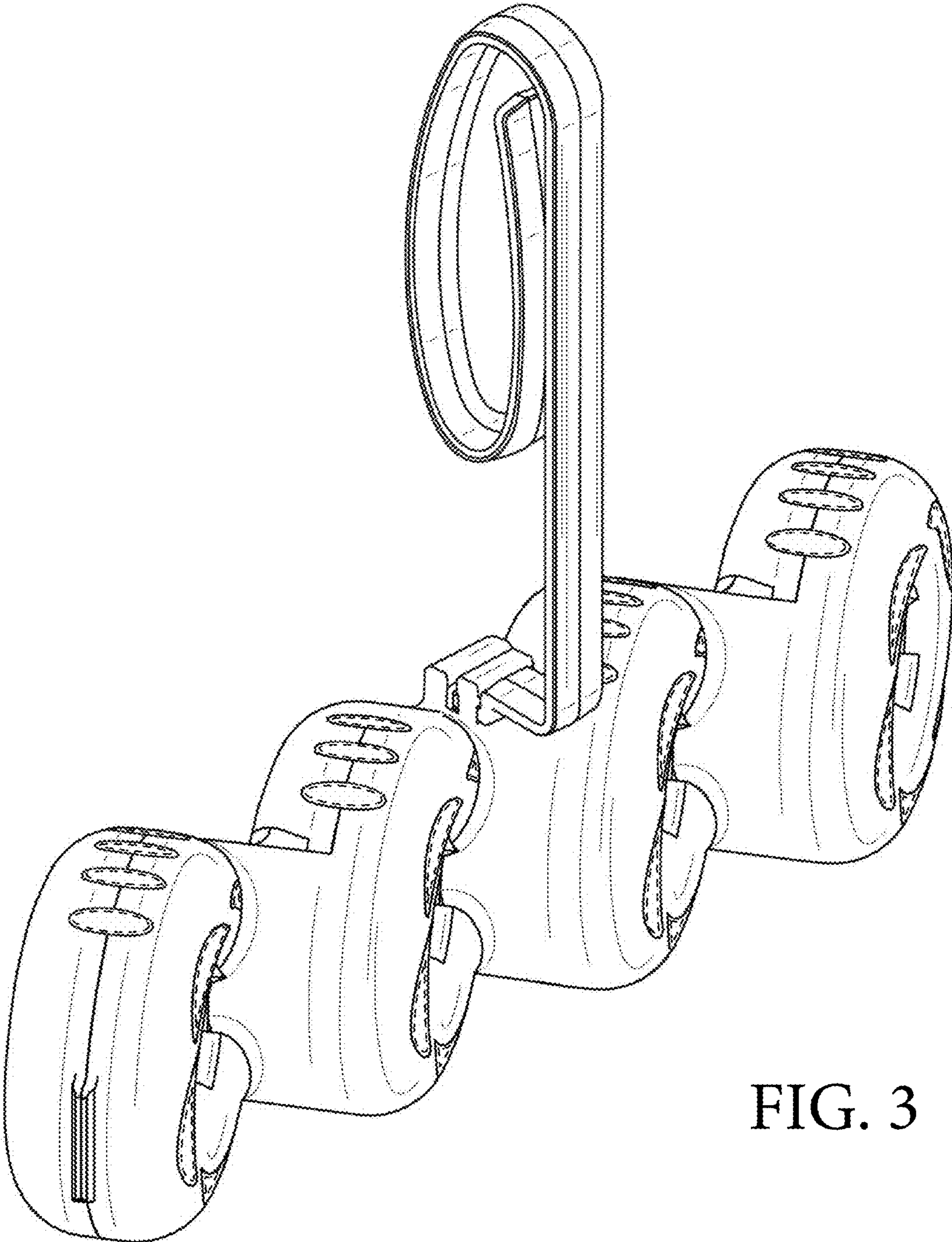


FIG. 3

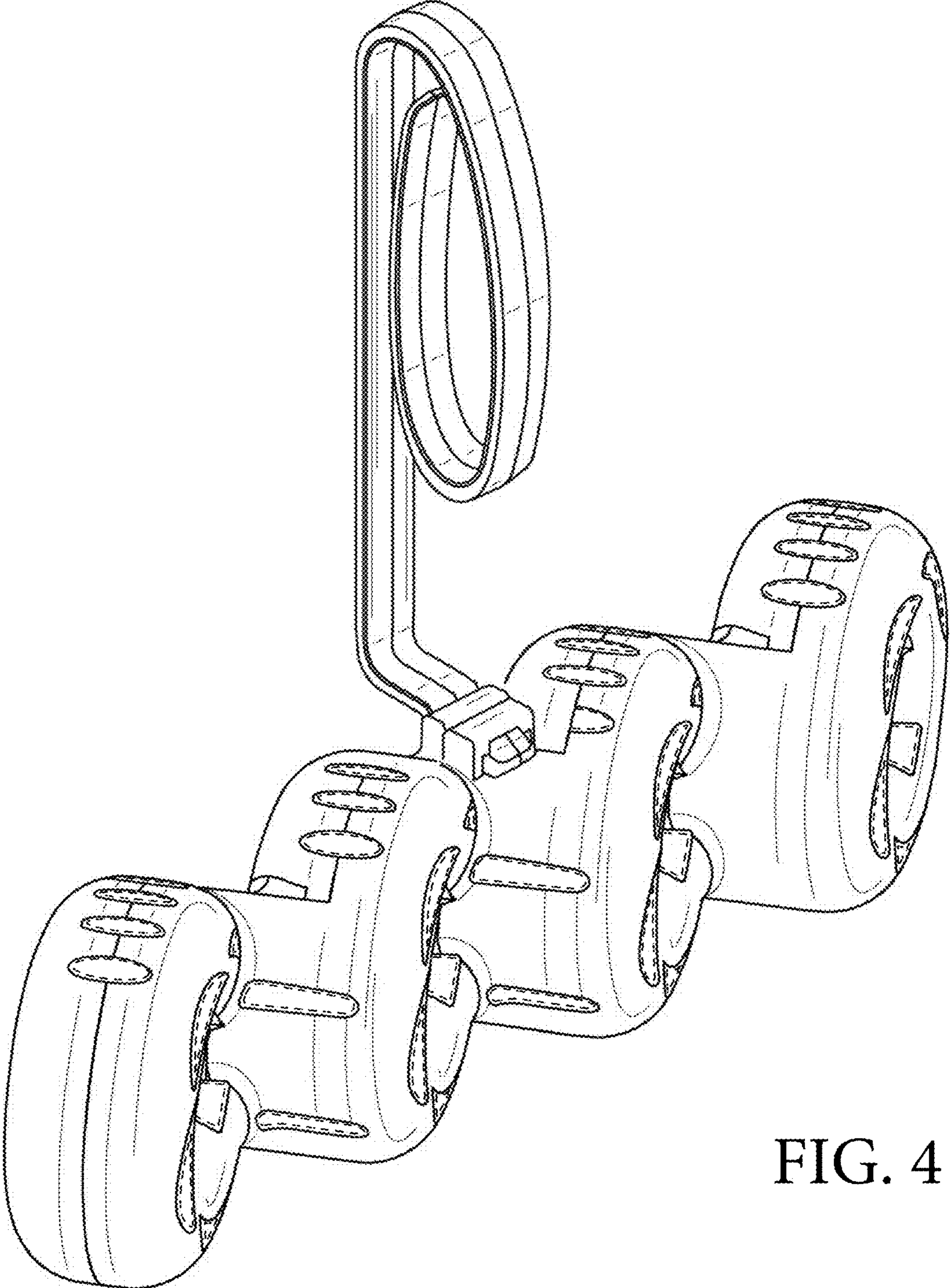


FIG. 4

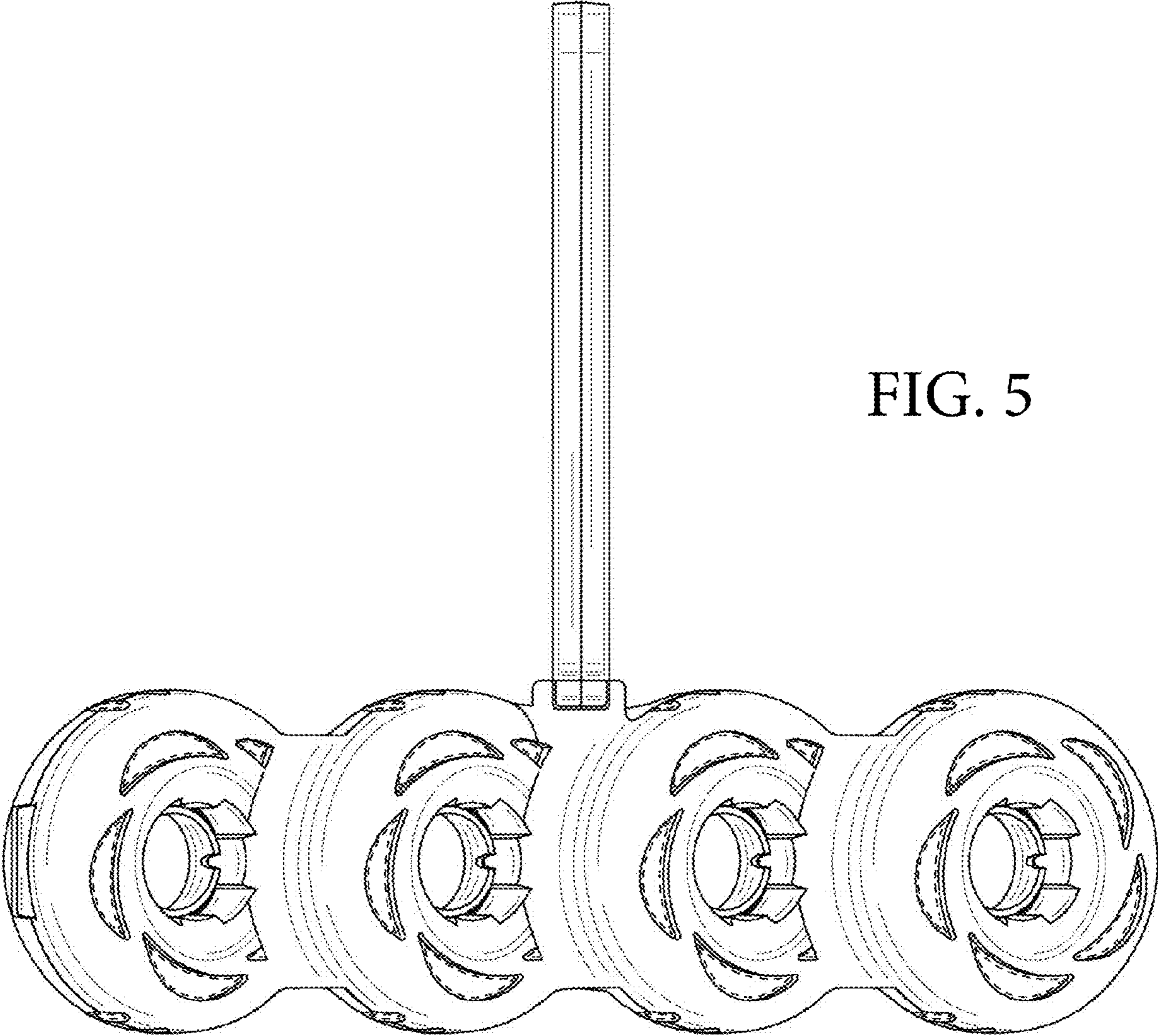


FIG. 5

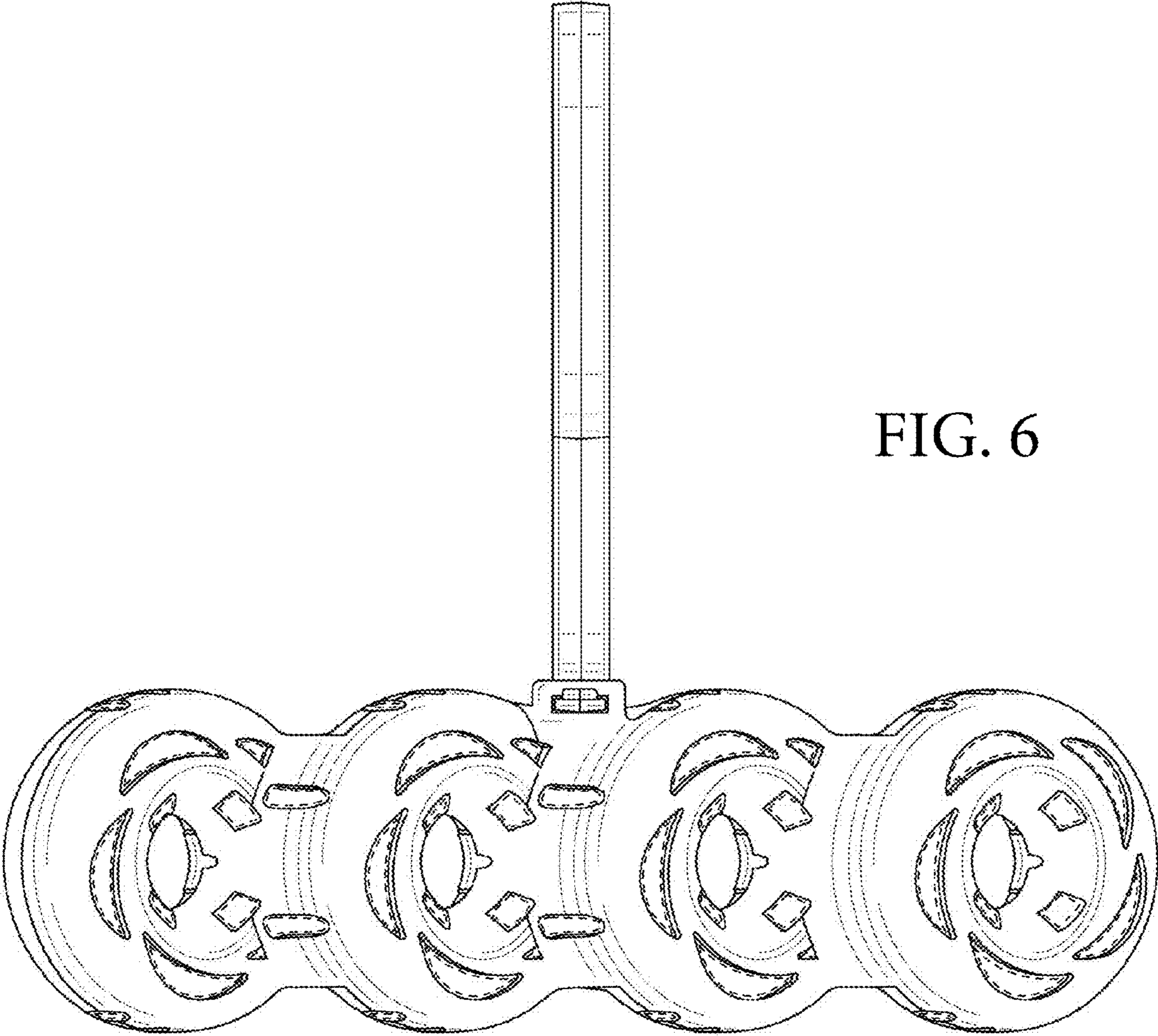


FIG. 6

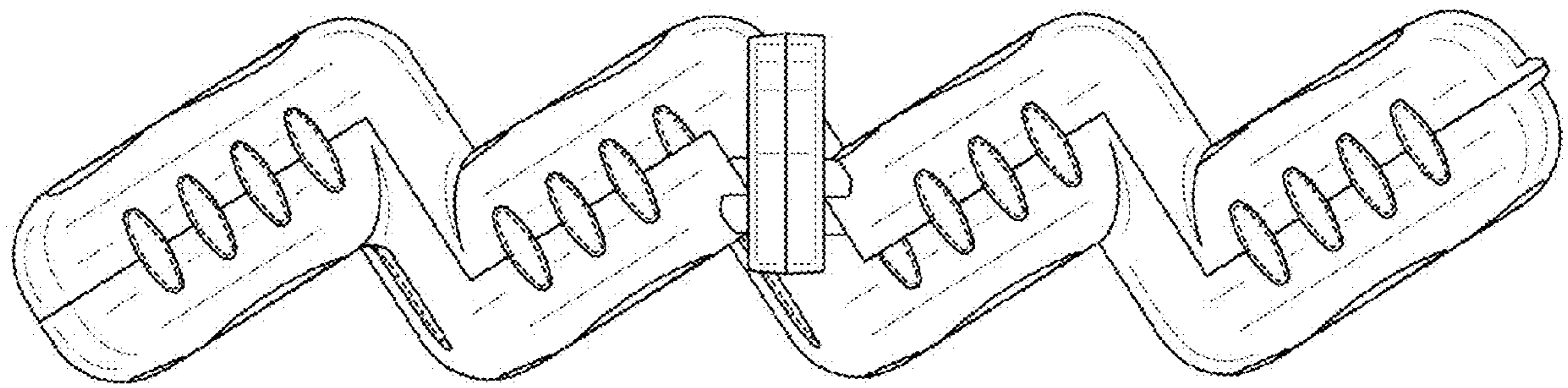


FIG. 7

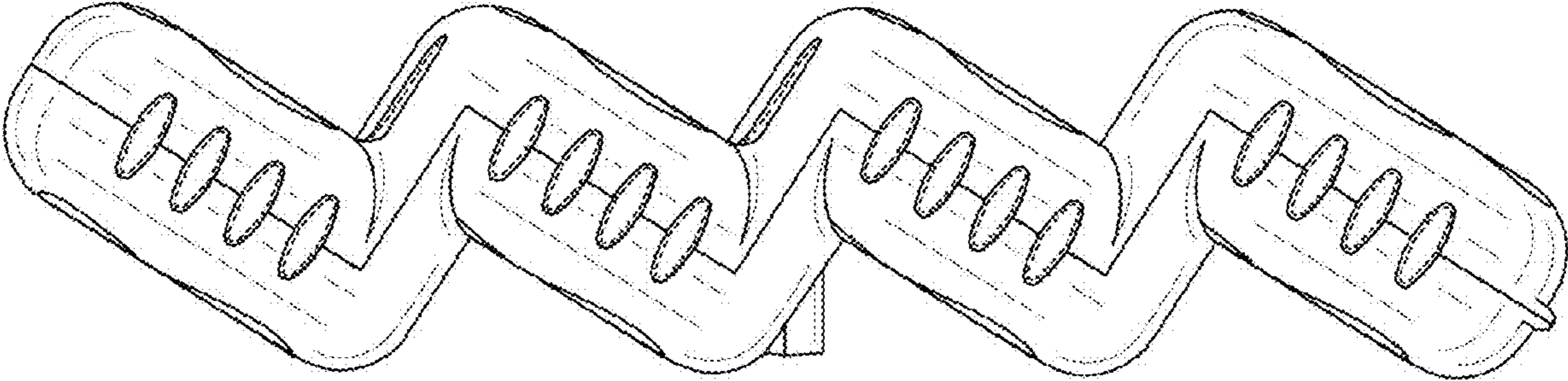


FIG. 8

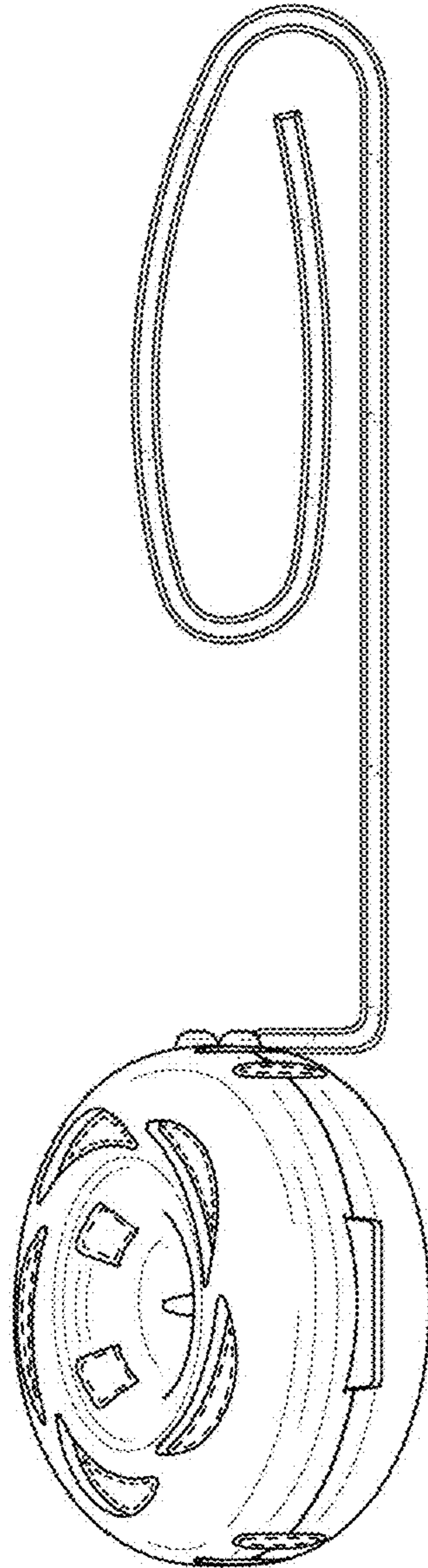


FIG. 9

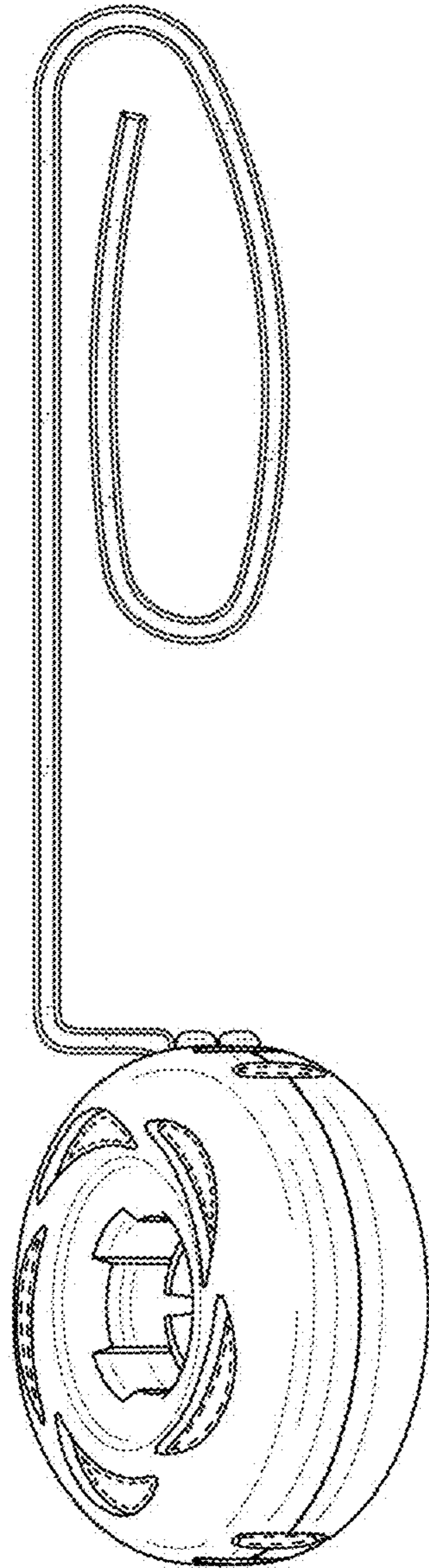


FIG. 10