



US00D898161S

(12) **United States Design Patent** (10) **Patent No.:** **US D898,161 S**  
**Blevins et al.** (45) **Date of Patent:** **\*\* Oct. 6, 2020**

(54) **FISHING LURE RETRIEVAL DEVICE**

(71) Applicants: **Nathan D. Blevins**, Bel Aire, KS (US);  
**Erin D. Blevins**, Bel Aire, KS (US)

(72) Inventors: **Nathan D. Blevins**, Bel Aire, KS (US);  
**Erin D. Blevins**, Bel Aire, KS (US)

(\*\*) Term: **15 Years**

(21) Appl. No.: **29/724,641**

(22) Filed: **Feb. 18, 2020**

**Related U.S. Application Data**

(63) Continuation-in-part of application No. 29/665,717,  
filed on Oct. 5, 2018, now Pat. No. Des. 875,879.

(51) **LOC (12) Cl.** ..... **22-05**

(52) **U.S. Cl.**  
USPC ..... **D22/149**

(58) **Field of Classification Search**  
USPC ..... D22/149, 134–135; 43/11–12, 17.2, 53.5  
CPC ..... A01K 97/00; A01K 97/24  
See application file for complete search history.

(56) **References Cited**

**U.S. PATENT DOCUMENTS**

2,344,838	A	3/1944	Van Sickle	
D280,542	S	9/1985	Hurst	
4,619,065	A *	10/1986	Jones	A01K 97/24 43/11
4,622,772	A	11/1986	Cawley et al.	
4,930,244	A *	6/1990	Enwiller	A01K 97/24 43/17.2
D377,962	S	2/1997	Blain	
5,724,762	A	3/1998	Thompson	

(Continued)

Primary Examiner — Catherine R Oliver-Garcia

(74) *Attorney, Agent, or Firm* — Law Office of Mark Brown, LLC; Mark E. Brown

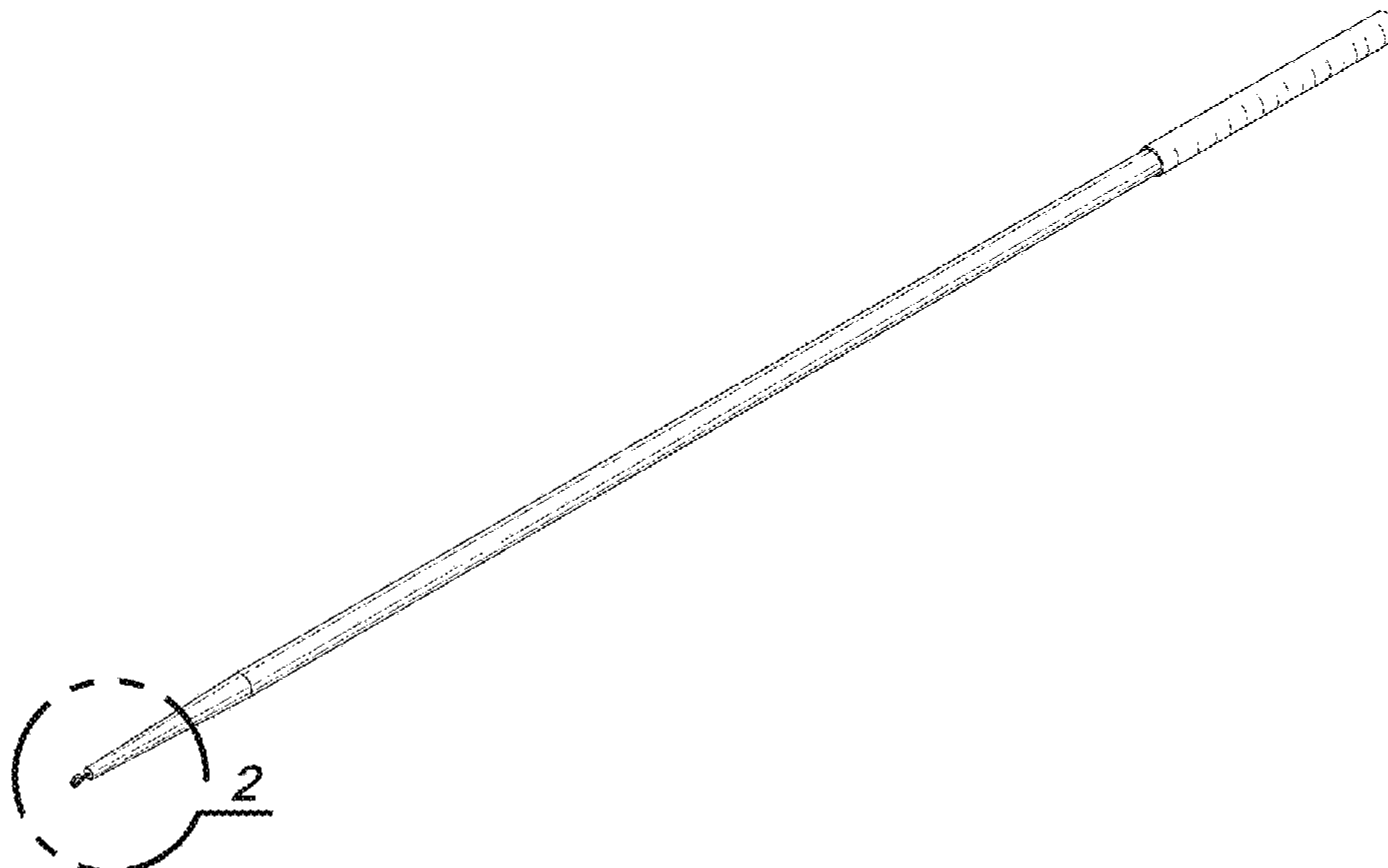
(57) **CLAIM**

The ornamental design for a fishing lure retrieval device, as shown and described.

**DESCRIPTION**

FIG. 1 is a front perspective view of a first embodiment of the fishing lure retrieval device of the present invention; FIG. 2 is an enlarged, fragmentary, front, perspective view thereof, particularly showing an eyelet screw mounted in the front end thereof; FIG. 3 is a rear perspective view thereof; FIG. 4 is a right side elevational view, the left side view being a mirror image thereof; FIG. 5 is a top plan view thereof, the bottom plan view being a mirror image thereof; FIG. 6 is a front elevational view thereof; FIG. 7 is a rear elevational view thereof; FIG. 8 is a front perspective view of a second embodiment of the fishing lure retrieval device of the present invention; FIG. 9 is an enlarged, fragmentary, front, perspective view thereof, particularly showing a clip mounted in the front end thereof; FIG. 10 is a rear perspective view thereof; FIG. 11 is a right side elevational view, the left side view being a mirror image thereof; FIG. 12 is a top plan view thereof, the bottom plan view being a mirror image thereof; FIG. 13 is a front elevational view thereof; and FIG. 14 is a rear elevational view thereof. FIG. 15 is a right side elevational view of a third embodiment of the fishing lure retrieval device with net, the left side being a mirror image thereof; FIG. 16 is a top plan view thereof; the bottom plan is a mirror or image. FIG. 17 is a rear elevational view thereof. FIG. 18 is a front elevational view thereof; and, FIG. 19 is a fragmentary, top, right side perspective view thereof, particularly showing the fishing net.

**1 Claim, 12 Drawing Sheets**



(56)

**References Cited**

U.S. PATENT DOCUMENTS

5,864,979	A	2/1999	Iannuccilli et al.	
6,694,664	B1	2/2004	Knight	
D515,659	S	2/2006	Szymanski	
D596,264	S	7/2009	Miller	
D686,691	S *	7/2013	Blood .....	D22/135
8,539,711	B2	9/2013	Leuckel	
D721,783	S	1/2015	Goldy et al.	
D764,012	S *	8/2016	Johnson .....	D22/135
2009/0090038	A1	4/2009	Meredith	

\* cited by examiner

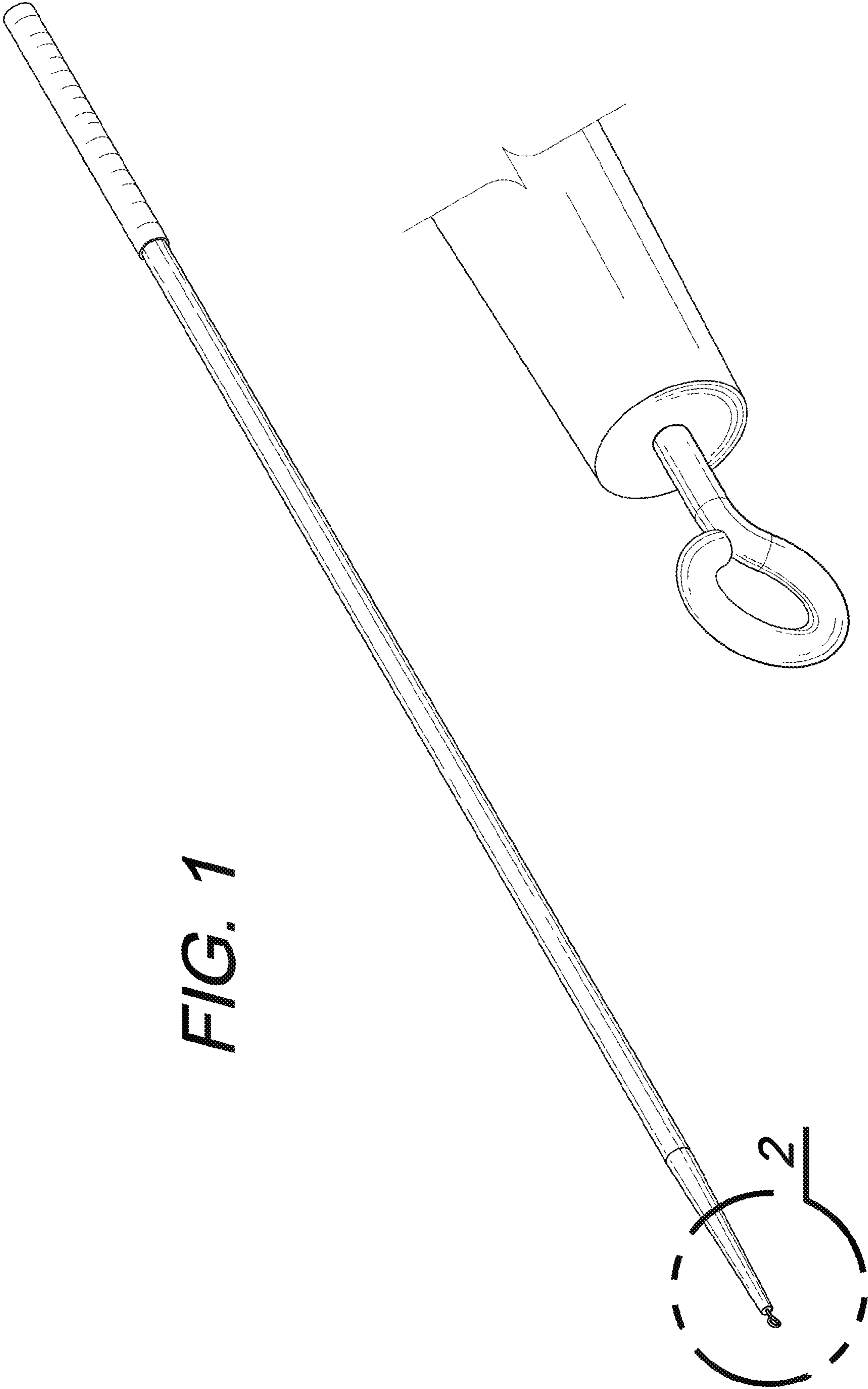
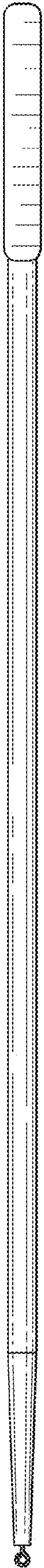


FIG. 1

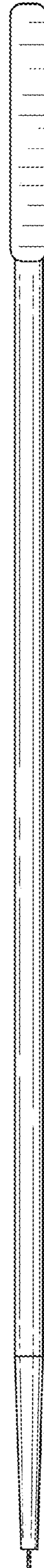
FIG. 2



FIG. 3



**FIG. 4**



**FIG. 5**

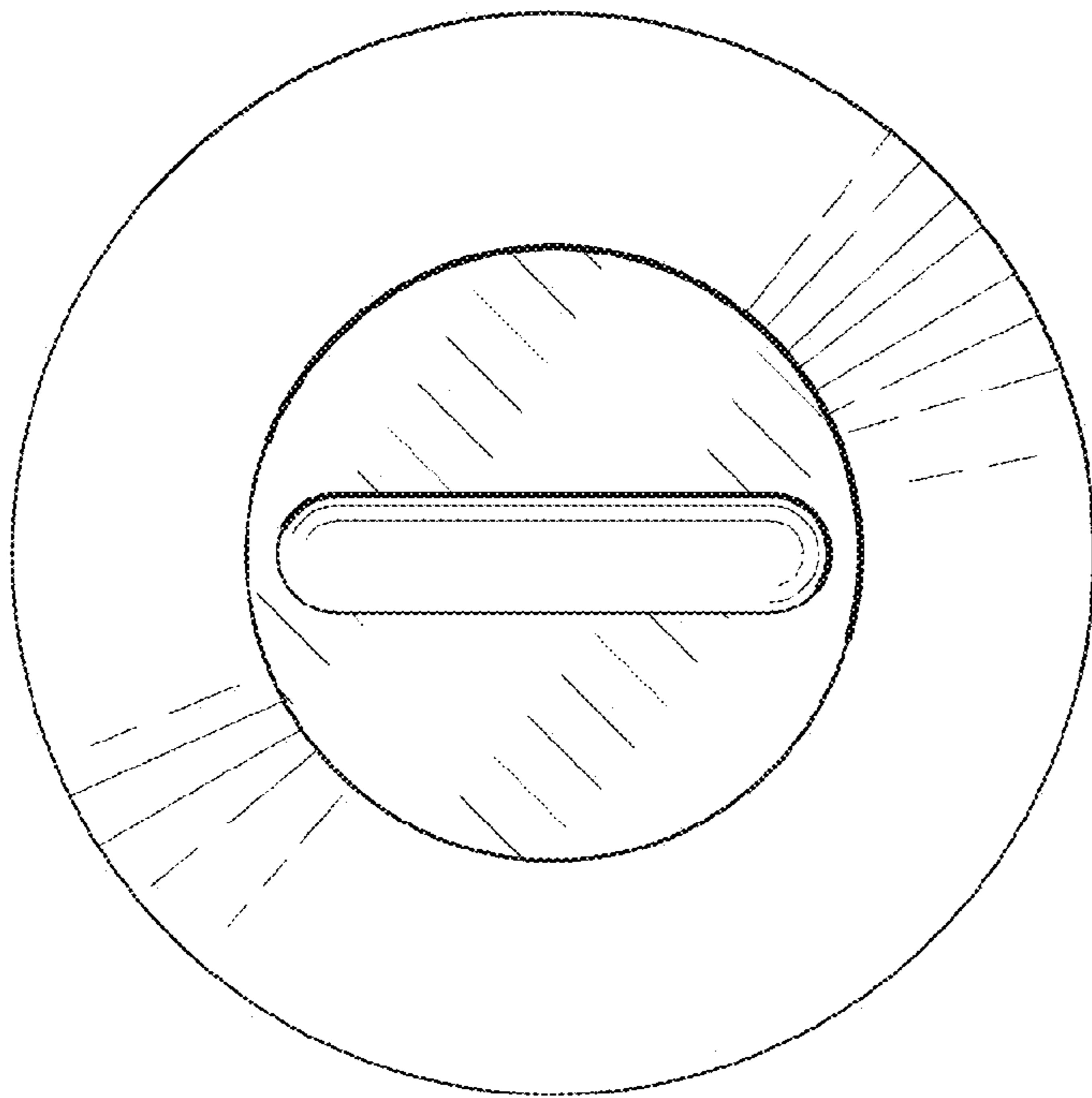


FIG. 6

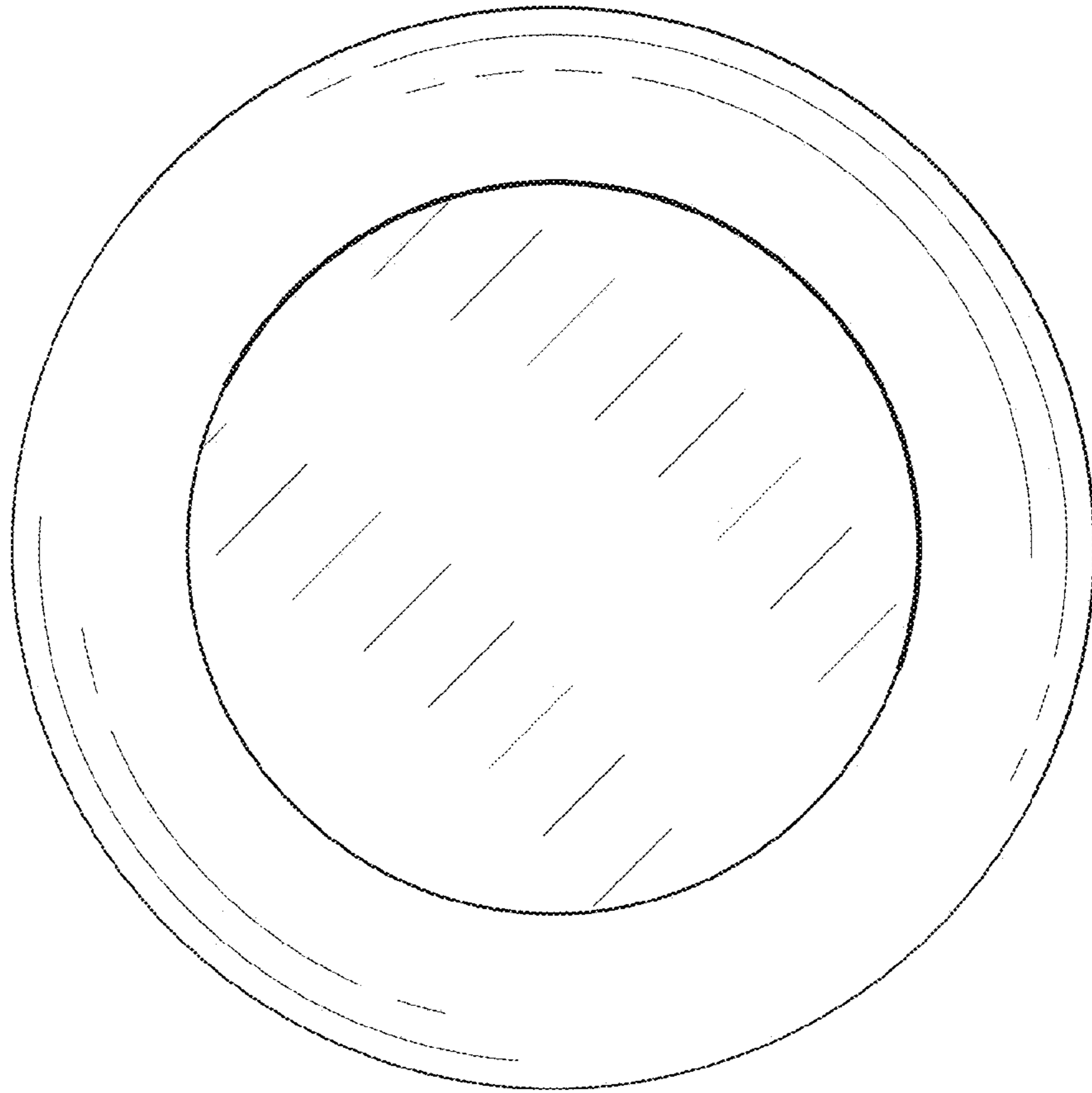


FIG. 7

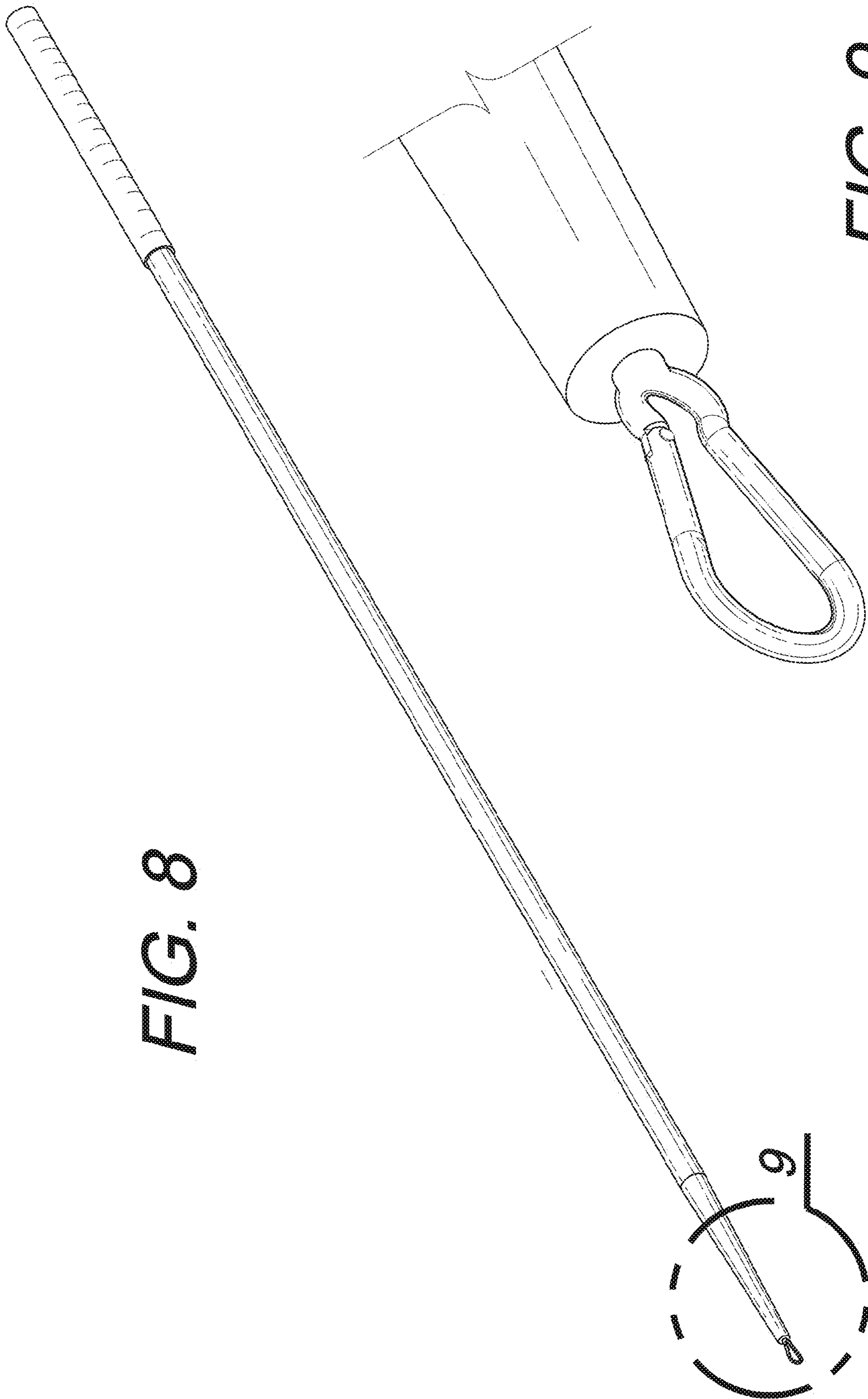


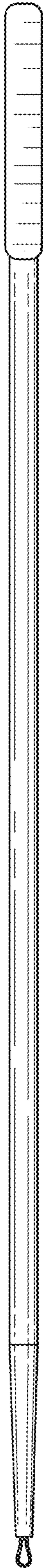
FIG. 8

FIG. 9

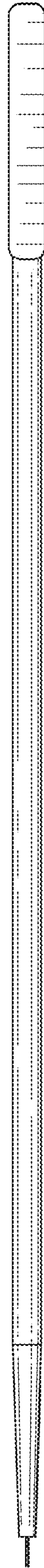


**FIG. 10**

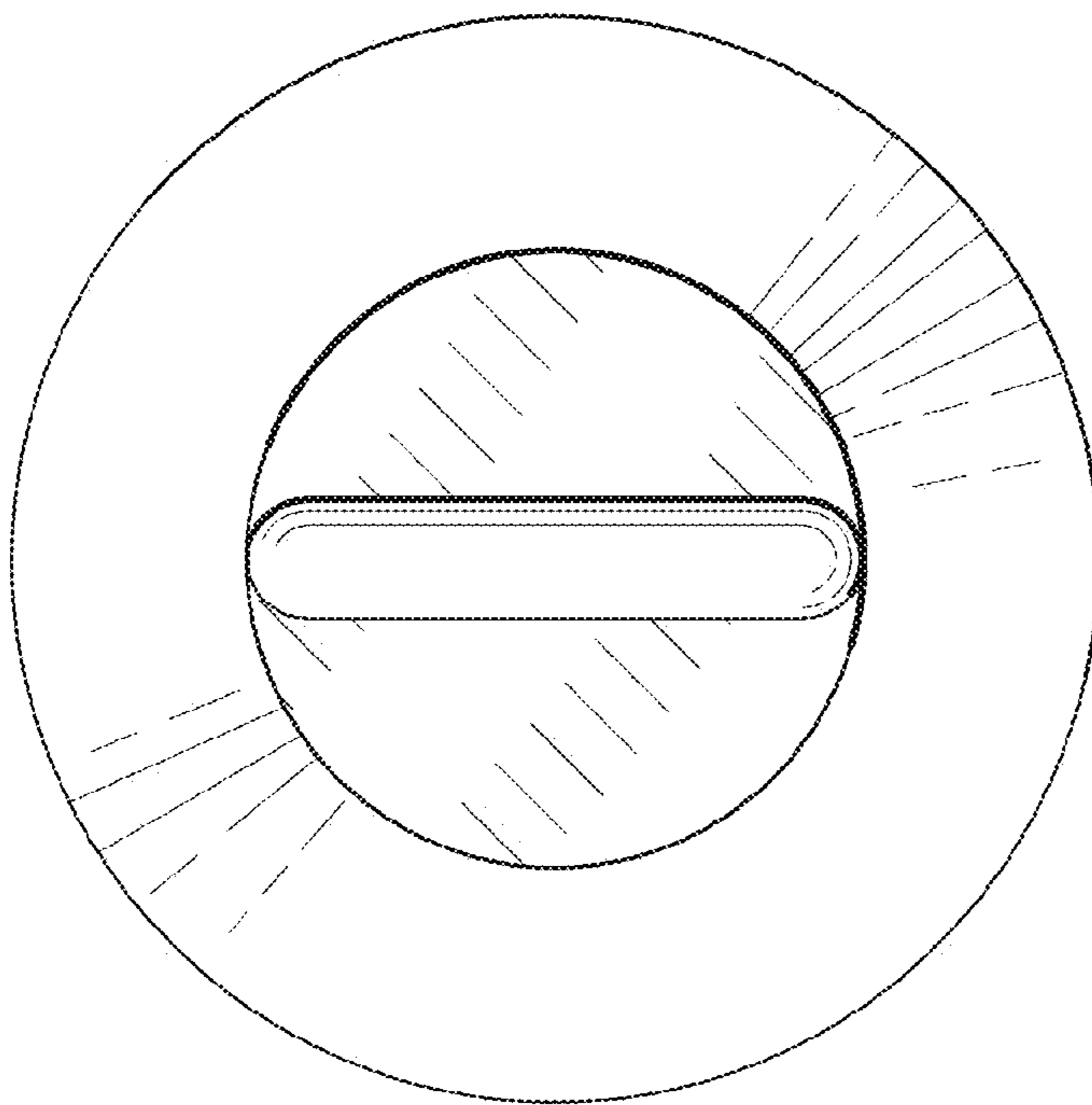




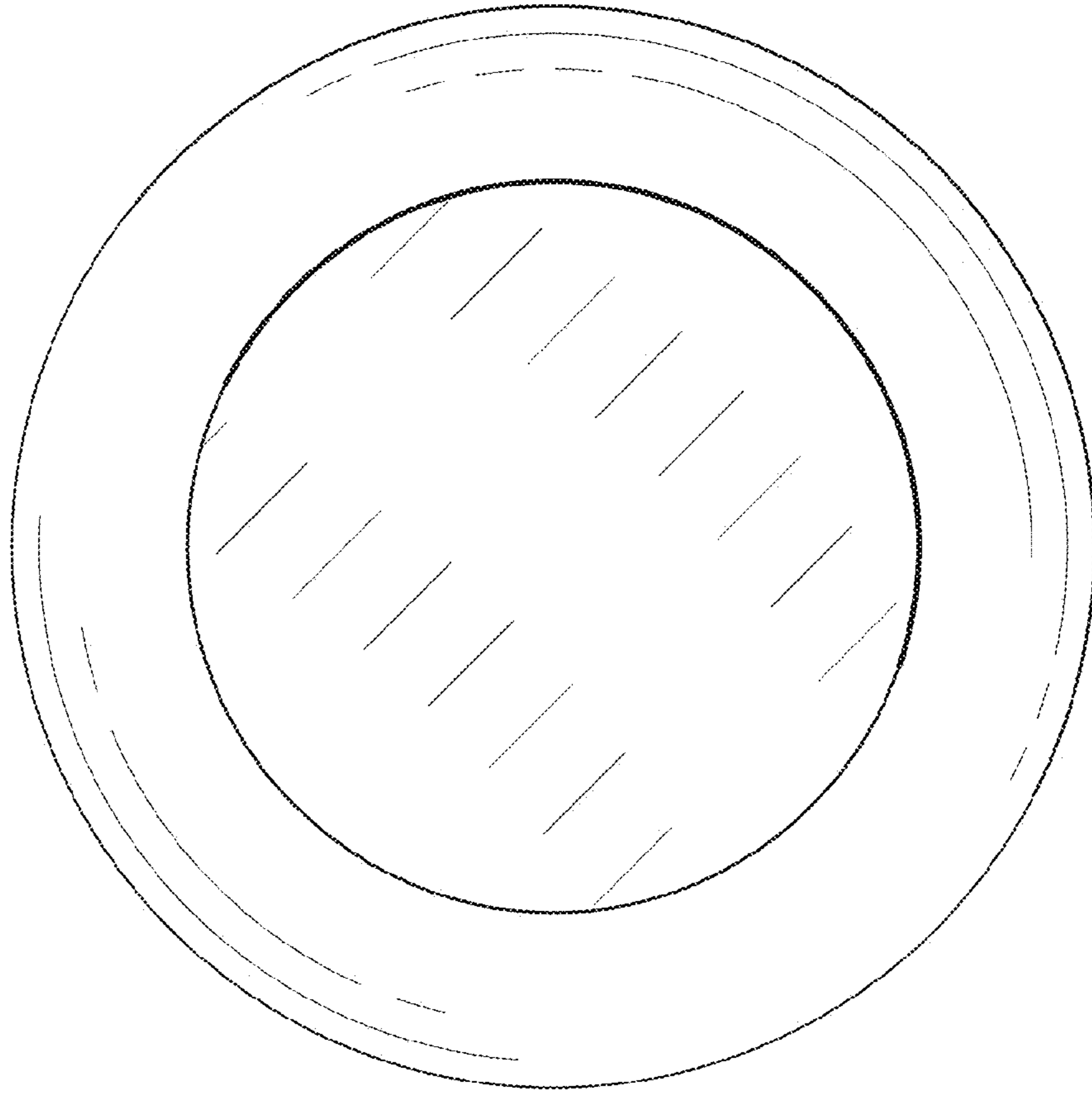
**FIG. 11**



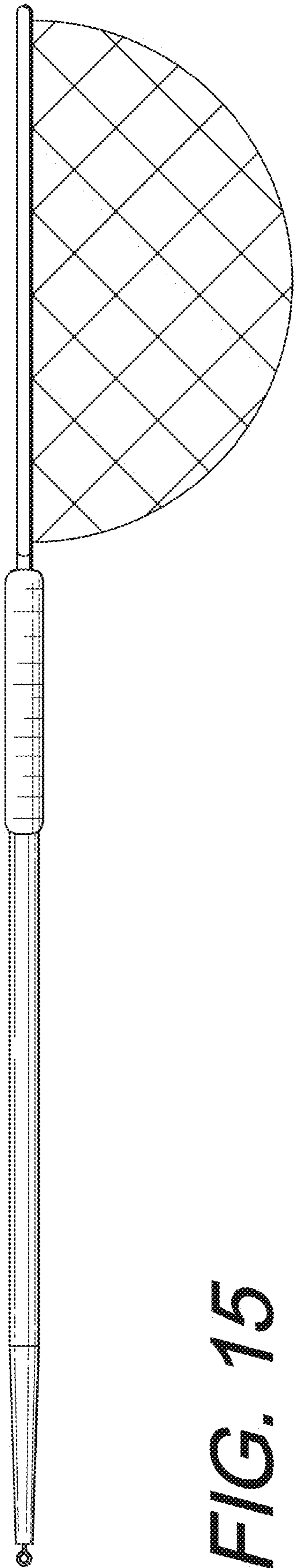
**FIG. 12**



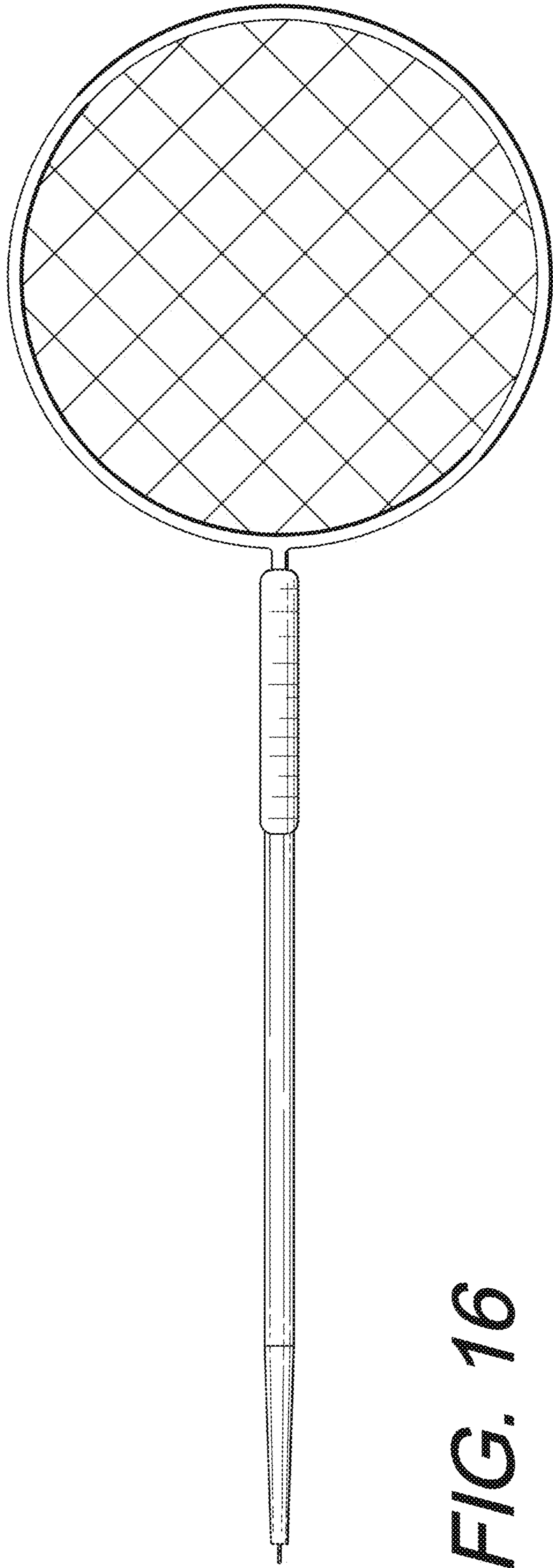
**FIG. 13**



**FIG. 14**



**FIG. 15**



**FIG. 16**

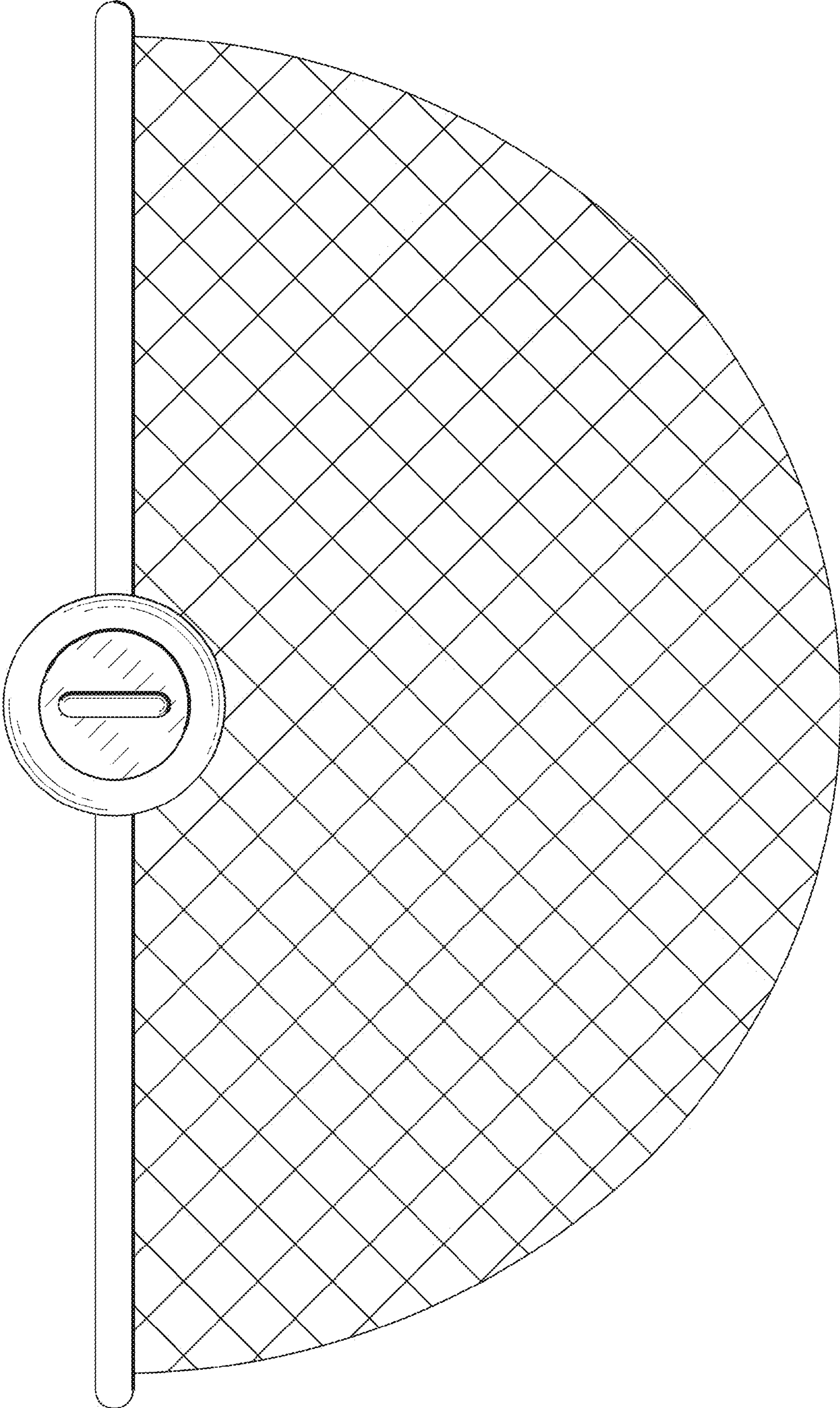


FIG. 17

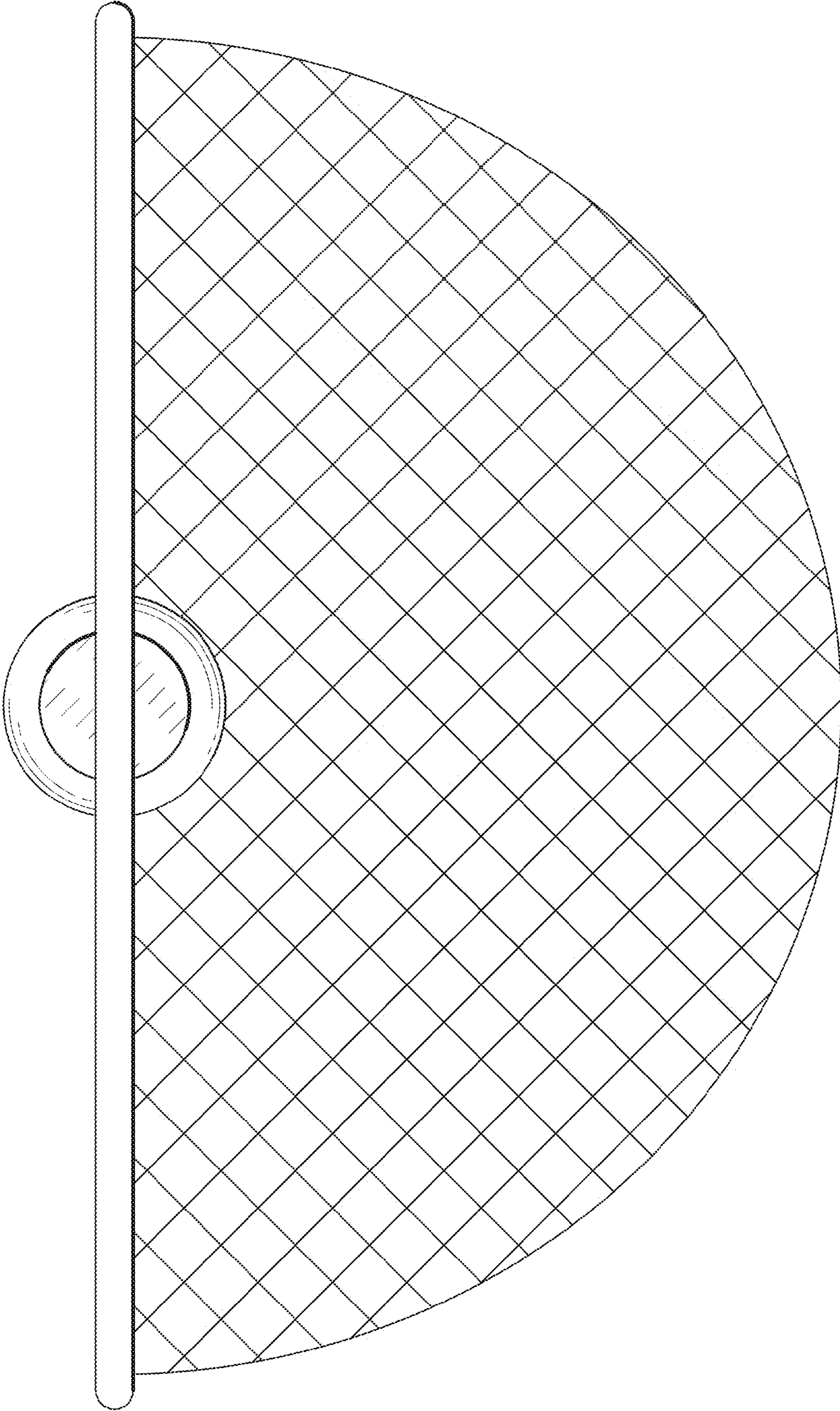
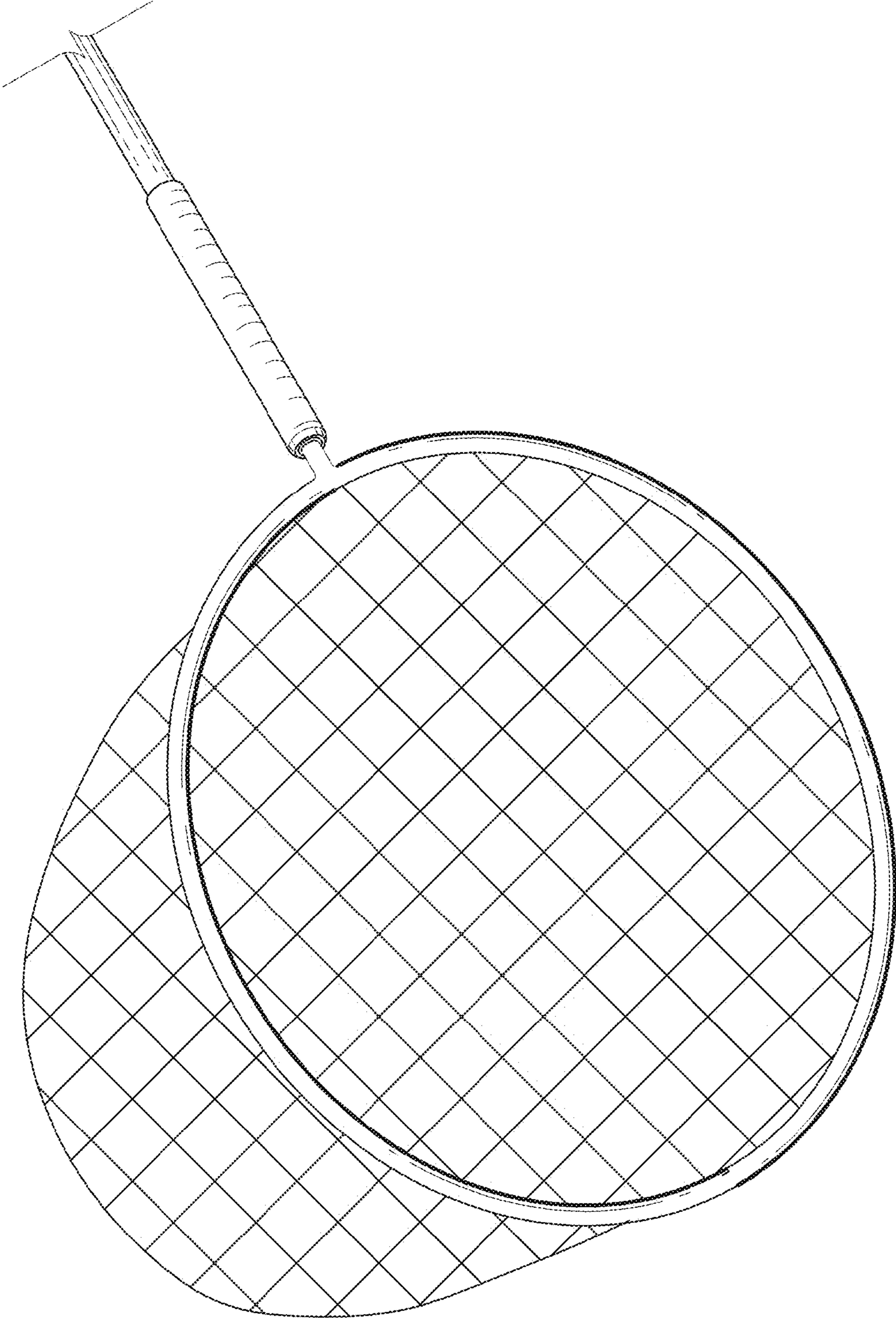


FIG. 18



**FIG. 19**