



US00D898160S

(12) **United States Design Patent** (10) **Patent No.:** **US D898,160 S**
Hymes (45) **Date of Patent:** **** Oct. 6, 2020**

(54) **FISHING JIG**

(71) Applicant: **Charles Hymes**, Kinsale, VA (US)

(72) Inventor: **Charles Hymes**, Kinsale, VA (US)

(**) Term: **15 Years**

(21) Appl. No.: **29/648,642**

(22) Filed: **May 23, 2018**

(51) **LOC (12) Cl.** **22-05**

(52) **U.S. Cl.**

USPC **D22/144**

(58) **Field of Classification Search**

USPC D22/144, 126-133; 43/42.4, 42.52, 44.8,
43/42.06, 42.08, 42.09, 42.43, 43.2,
43/42.16, 42.5, 42.51

CPC A01K 85/00; A01K 85/02; A01K 85/14
See application file for complete search history.

(56) **References Cited**

U.S. PATENT DOCUMENTS

- 1,258,213 A * 3/1918 Grothkoph A01K 85/14
43/42.29
- 1,333,154 A * 3/1920 Buddle A01K 85/02
43/42.23
- 2,291,422 A * 7/1942 Thomas A01K 85/14
43/42.18

(Continued)

Primary Examiner — Catherine R Oliver-Garcia

(74) *Attorney, Agent, or Firm* — Patent Law of Virginia,
PLLC; Brian J. Teague

(57) **CLAIM**

I claim the ornamental design for a fishing jig, as shown and described.

DESCRIPTION

FIG. 1 is a front top left perspective view of a fishing jig, showing the new design with a fishing hook attached.

FIG. 2 is a rear bottom left perspective view thereof, with a fishing hook attached.

FIG. 3 is a front bottom left perspective view thereof.

FIG. 4 is a rear bottom left perspective view thereof.

FIG. 5 is a front view thereof.

FIG. 6 is a rear view thereof.

FIG. 7 is a left side view thereof.

FIG. 8 is a right side view thereof.

FIG. 9 is a top view thereof.

FIG. 10 is a bottom view thereof.

FIG. 11 is a front top left perspective view of an alternative embodiment of a fishing jig, with a fishing hook attached.

FIG. 12 is a rear bottom left perspective view thereof, with a fishing hook attached.

FIG. 13 is a front bottom left perspective view thereof.

FIG. 14 is a rear bottom left perspective view thereof.

FIG. 15 is a front view thereof.

FIG. 16 is a rear view thereof.

FIG. 17 is a left side view thereof.

FIG. 18 is a right side view thereof.

FIG. 19 is a top view thereof.

FIG. 20 is a bottom view thereof.

FIG. 21 is a front top left perspective view of an alternative embodiment of a fishing jig, with a fishing hook attached.

FIG. 22 is a rear bottom left perspective view thereof, with a fishing hook attached.

FIG. 23 is a front bottom left perspective view thereof.

FIG. 24 is a rear bottom left perspective view thereof.

FIG. 25 is a front view thereof.

FIG. 26 is a rear view thereof.

FIG. 27 is a left side view thereof.

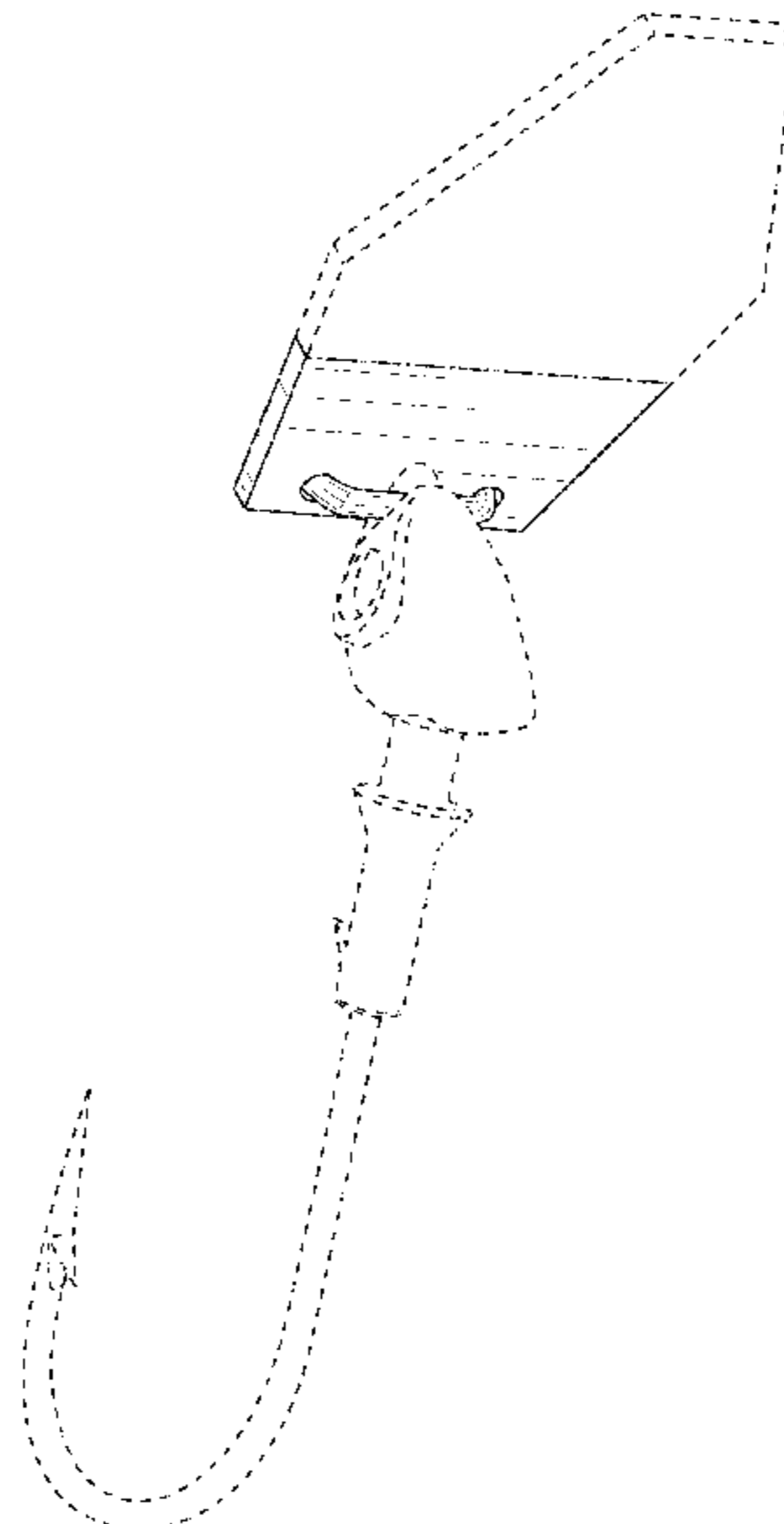
FIG. 28 is a right side view thereof.

FIG. 29 is a top view thereof; and,

FIG. 30 is a bottom view thereof.

In the drawings, the broken lines shown in the figures depict unclaimed subject matter and environmental structure, and form no part of the claimed design.

1 Claim, 30 Drawing Sheets



(56)

References Cited

U.S. PATENT DOCUMENTS

5,070,640 A * 12/1991 McGahee A01K 85/02
43/42.4
D330,244 S * 10/1992 Puiksma D22/144
D452,291 S * 12/2001 Puccio D22/126
D585,957 S * 2/2009 White D22/144
7,627,978 B2 12/2009 Davis
D675,702 S * 2/2013 Watts D22/144
9,253,967 B2 2/2016 Davis
D760,866 S 7/2016 Monteleone
D762,807 S * 8/2016 Fisher D22/144
D763,403 S * 8/2016 Fisher D22/144
D809,623 S 2/2018 Schneider
2008/0010893 A1 * 1/2008 Polachek A01K 85/16
43/42.47

* cited by examiner

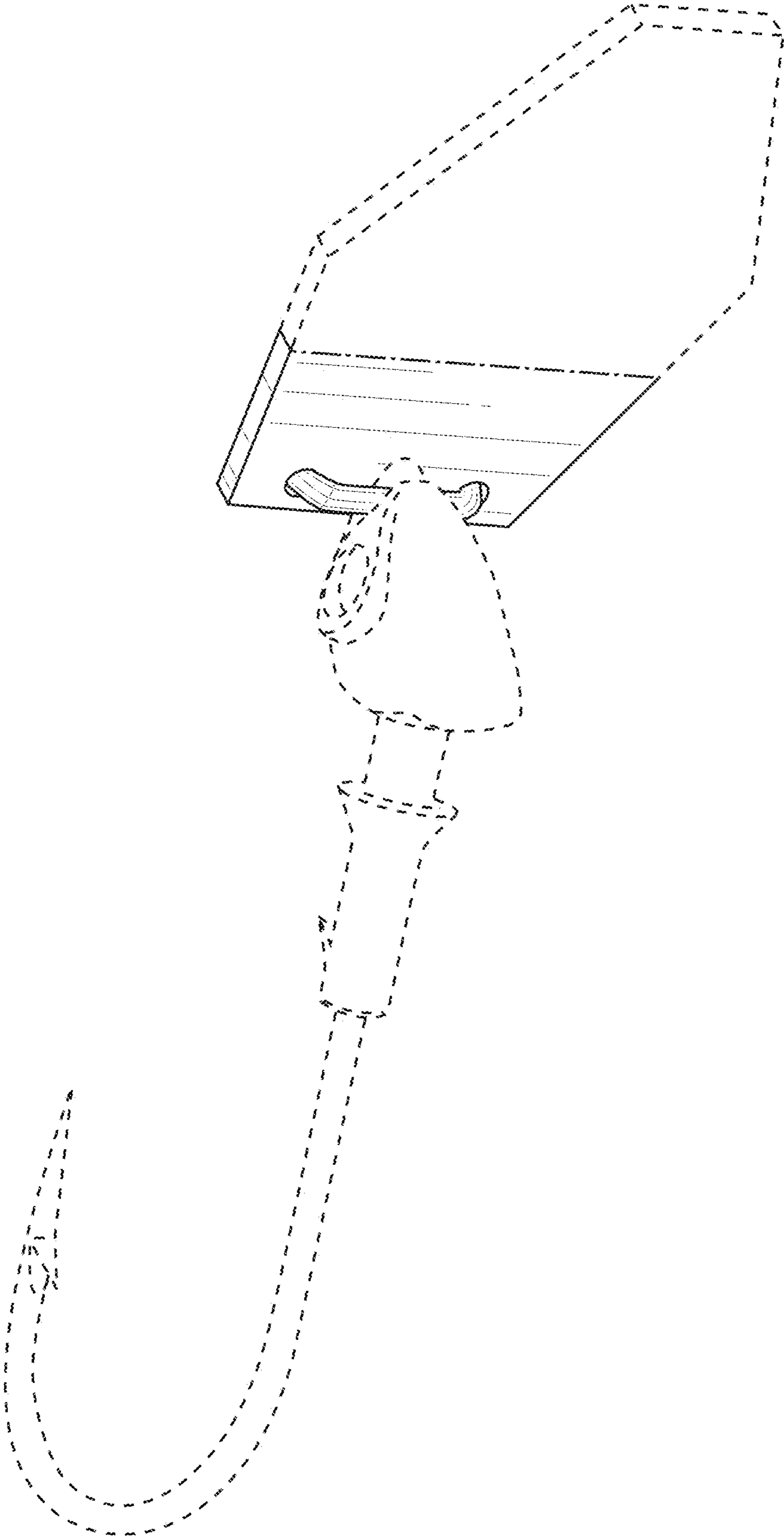


FIG. 1

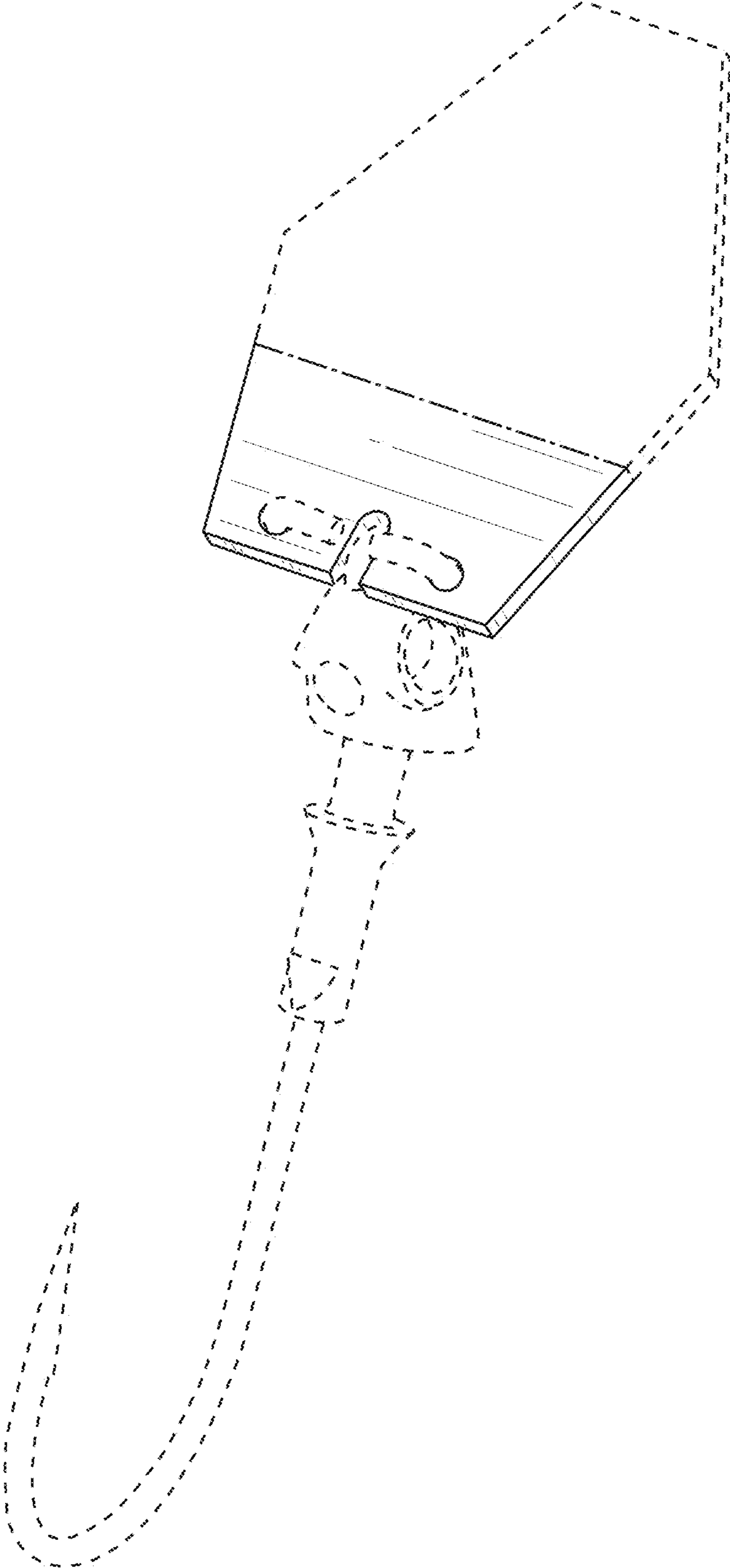


FIG. 2

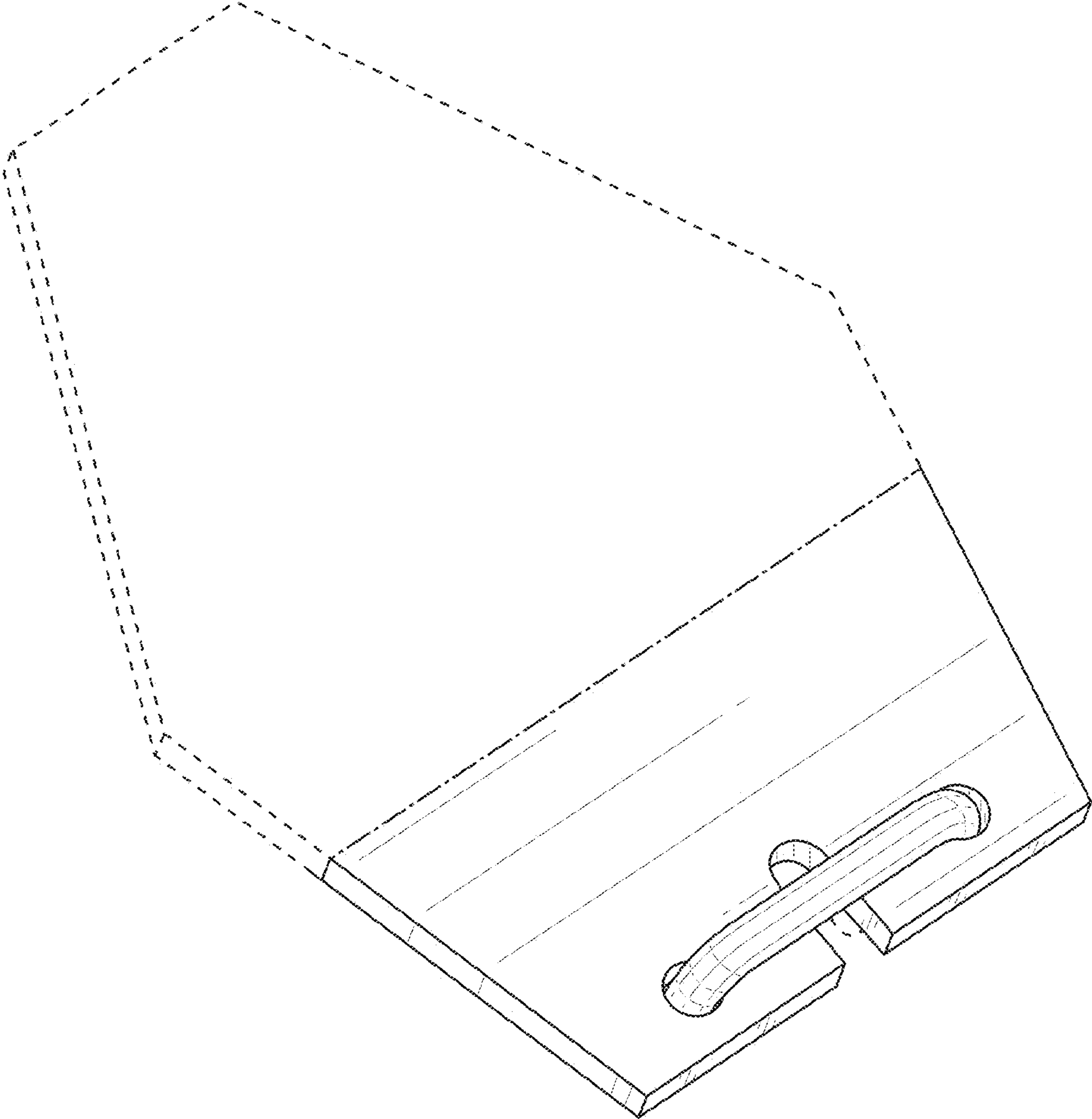


FIG. 3

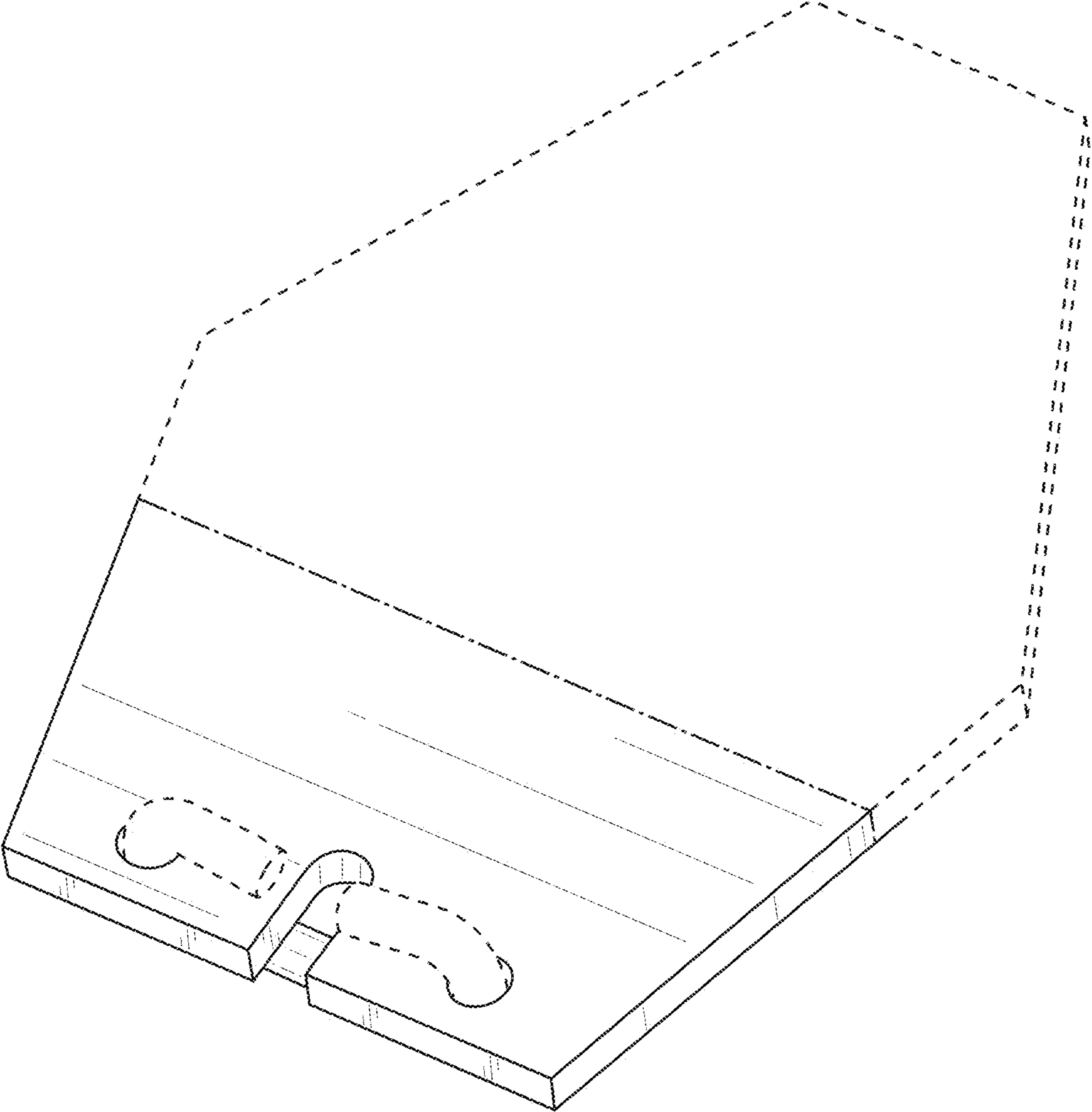


FIG. 4

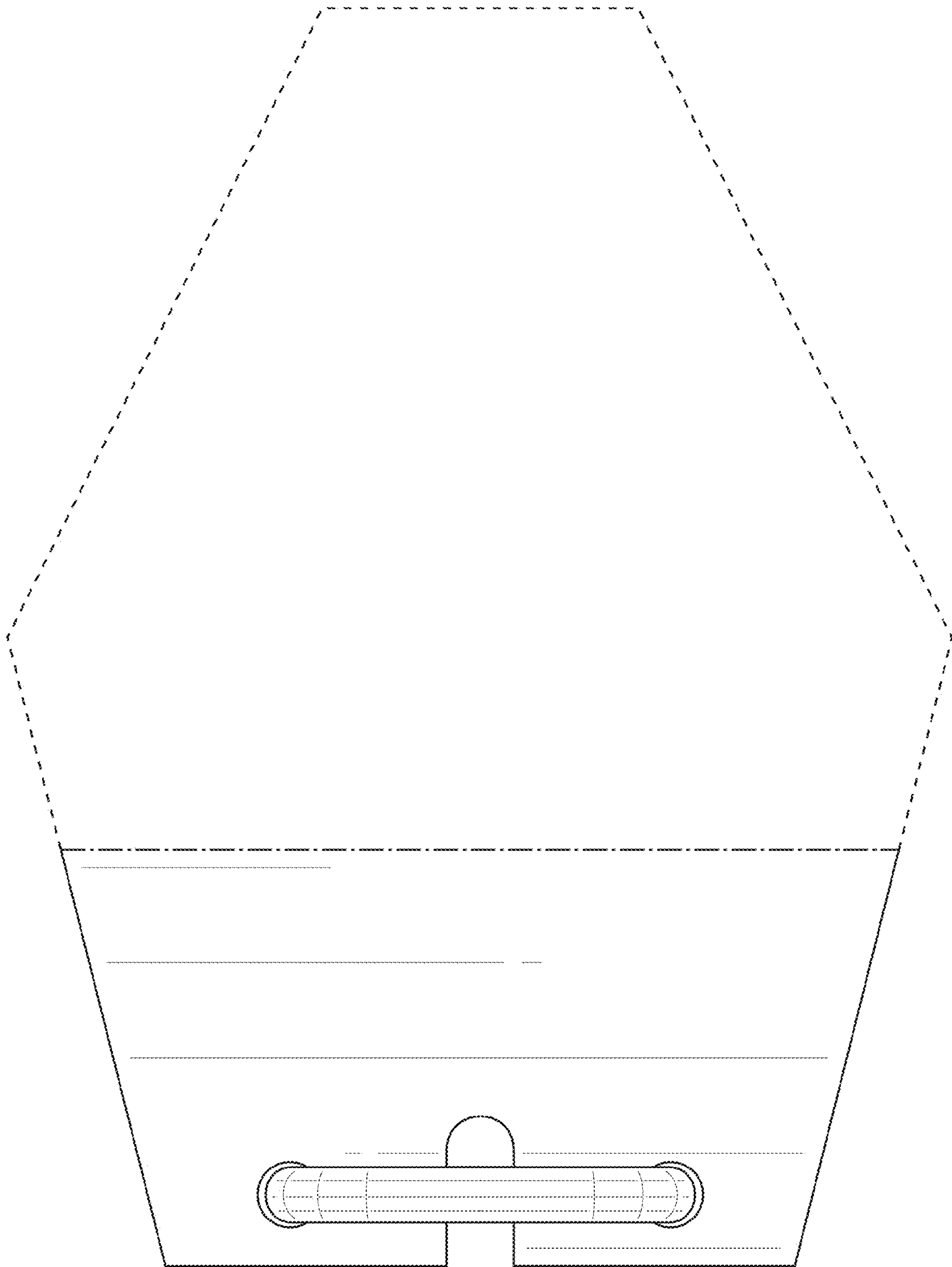


FIG. 5

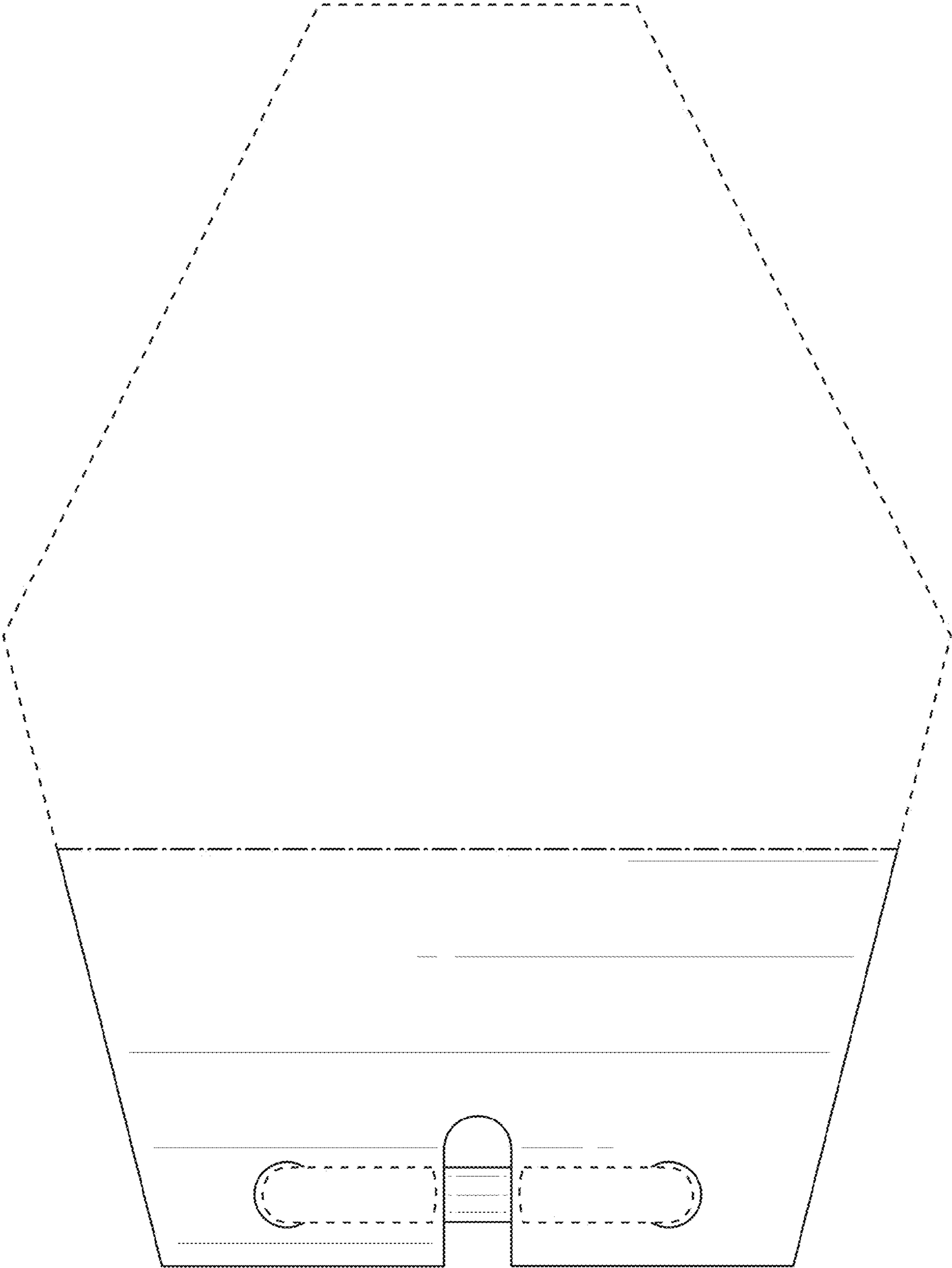


FIG. 6

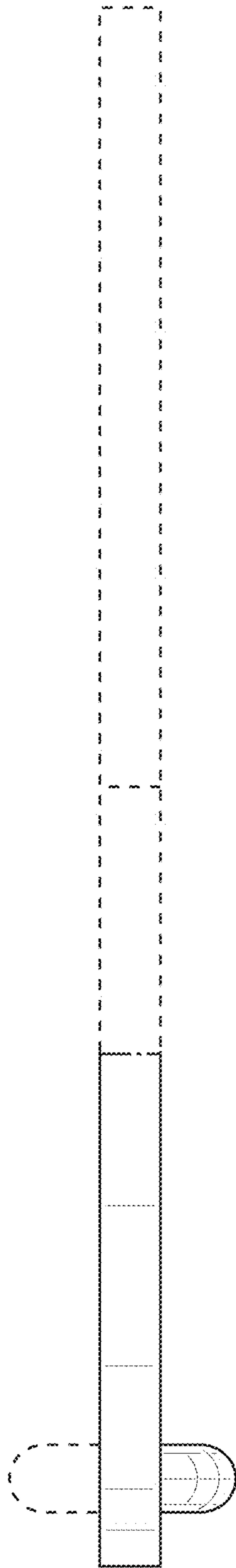


FIG. 7

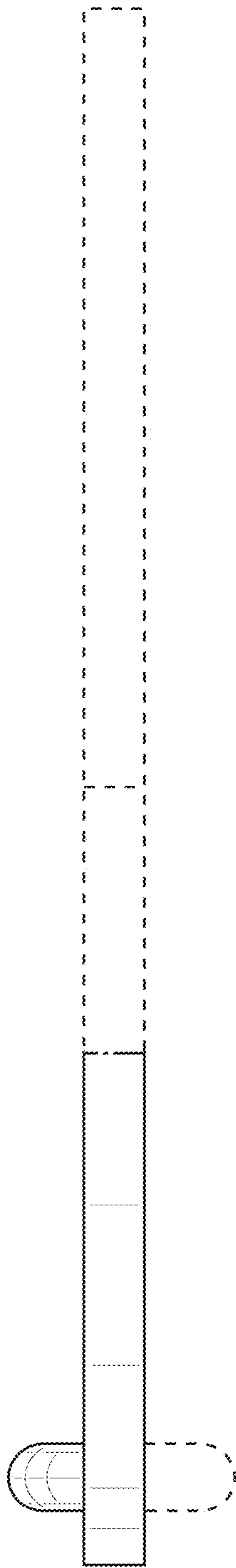


FIG. 8

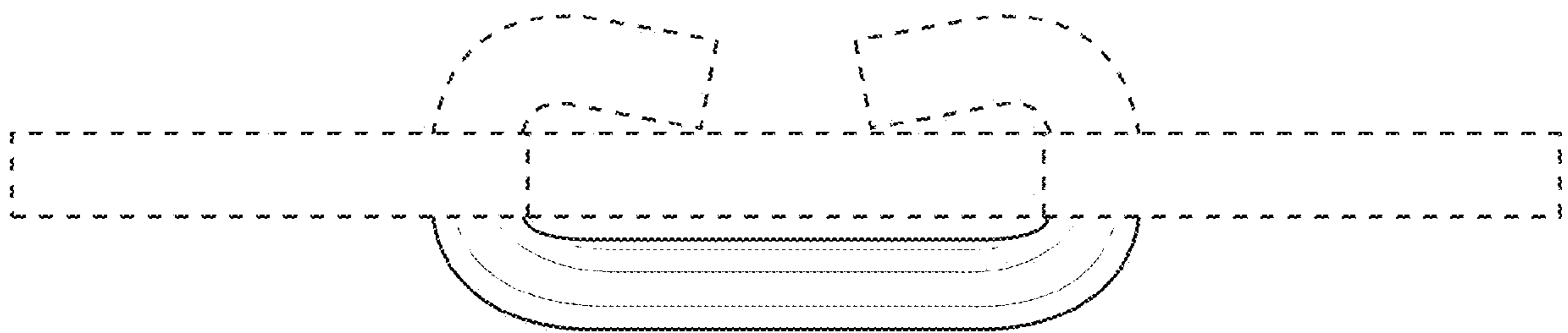


FIG. 9

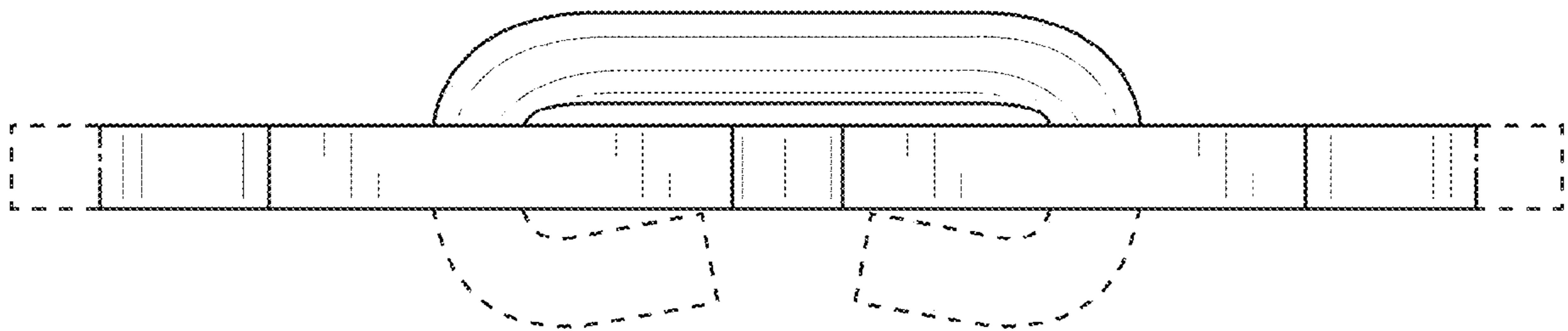


FIG. 10

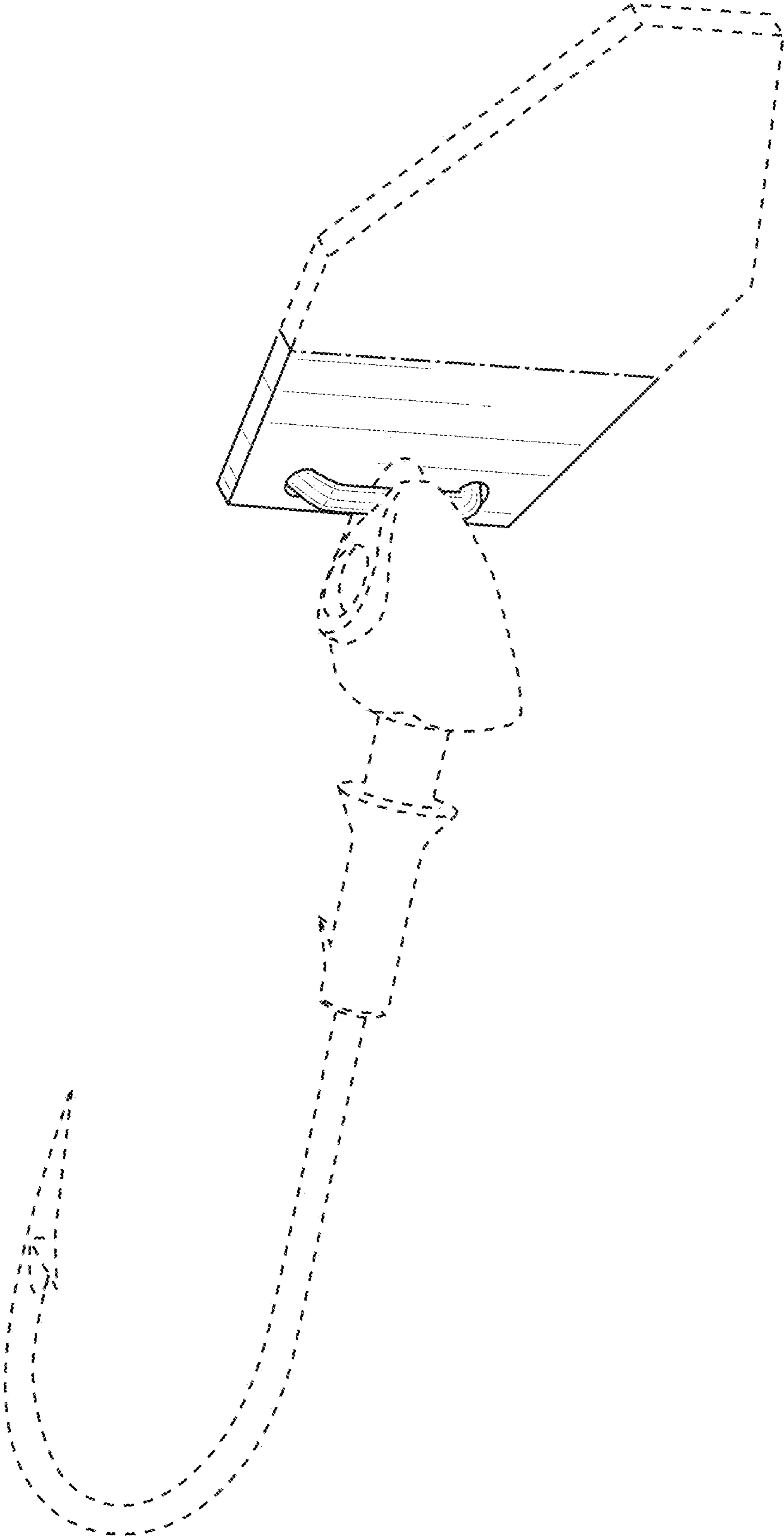


FIG. 11

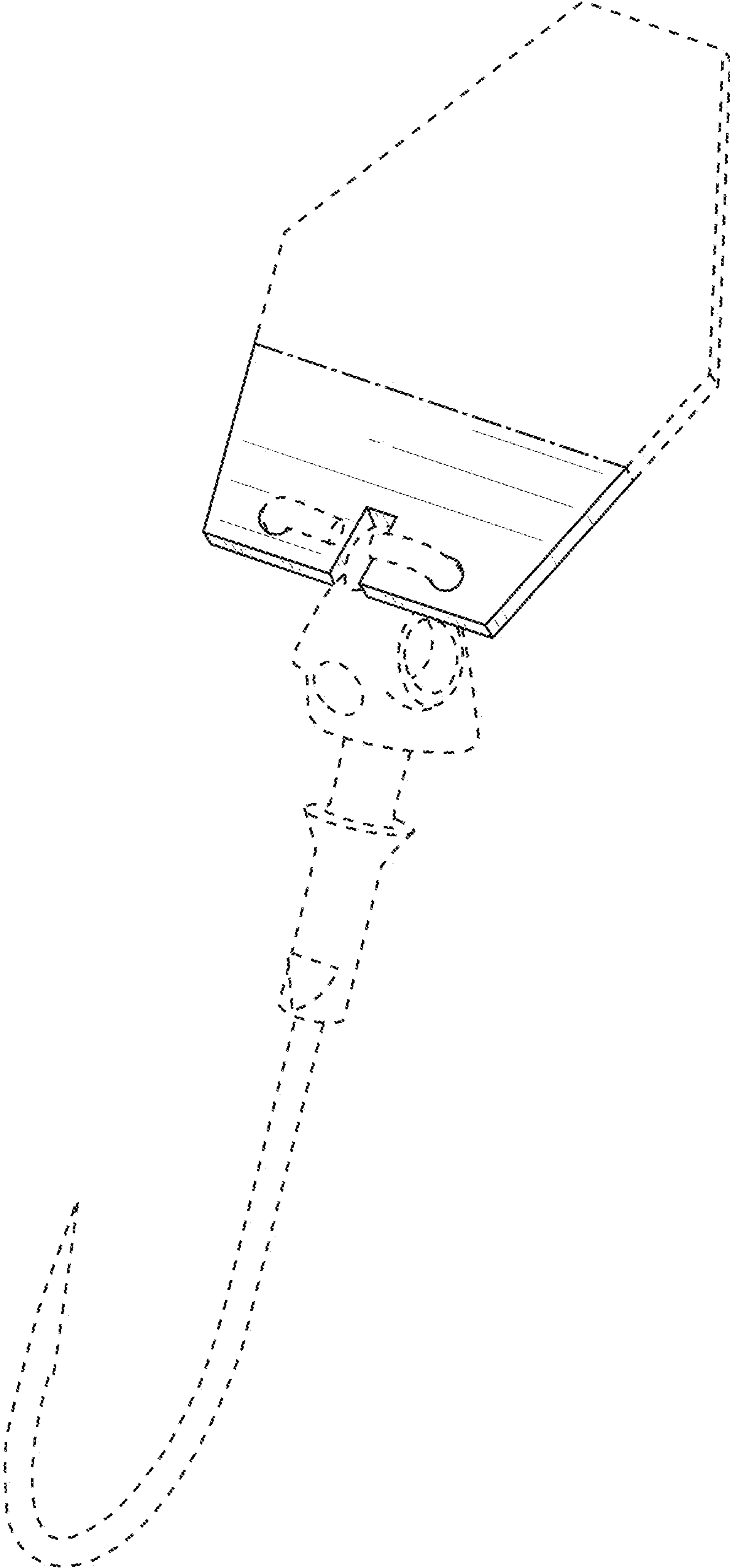


FIG. 12

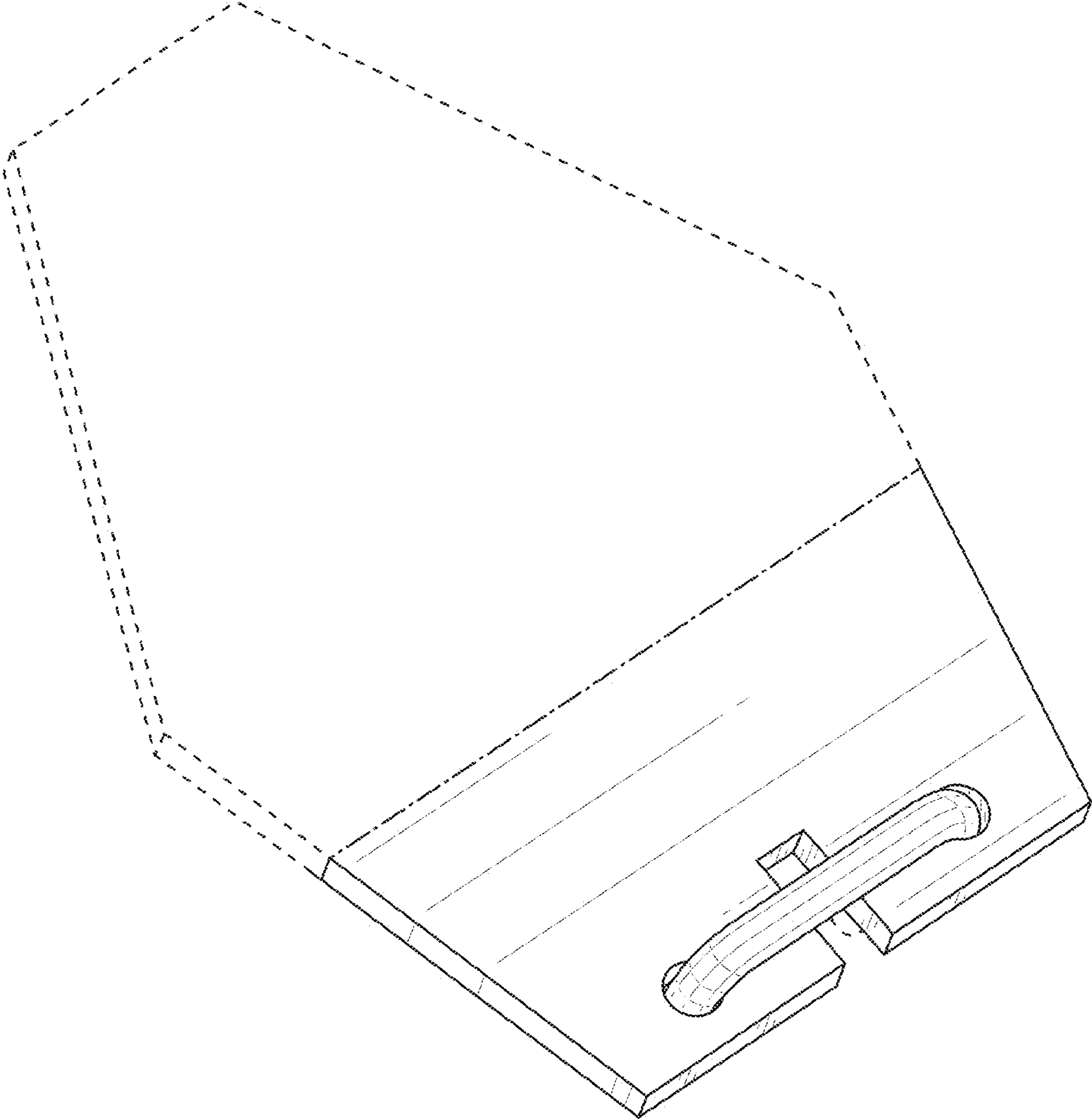


FIG. 13

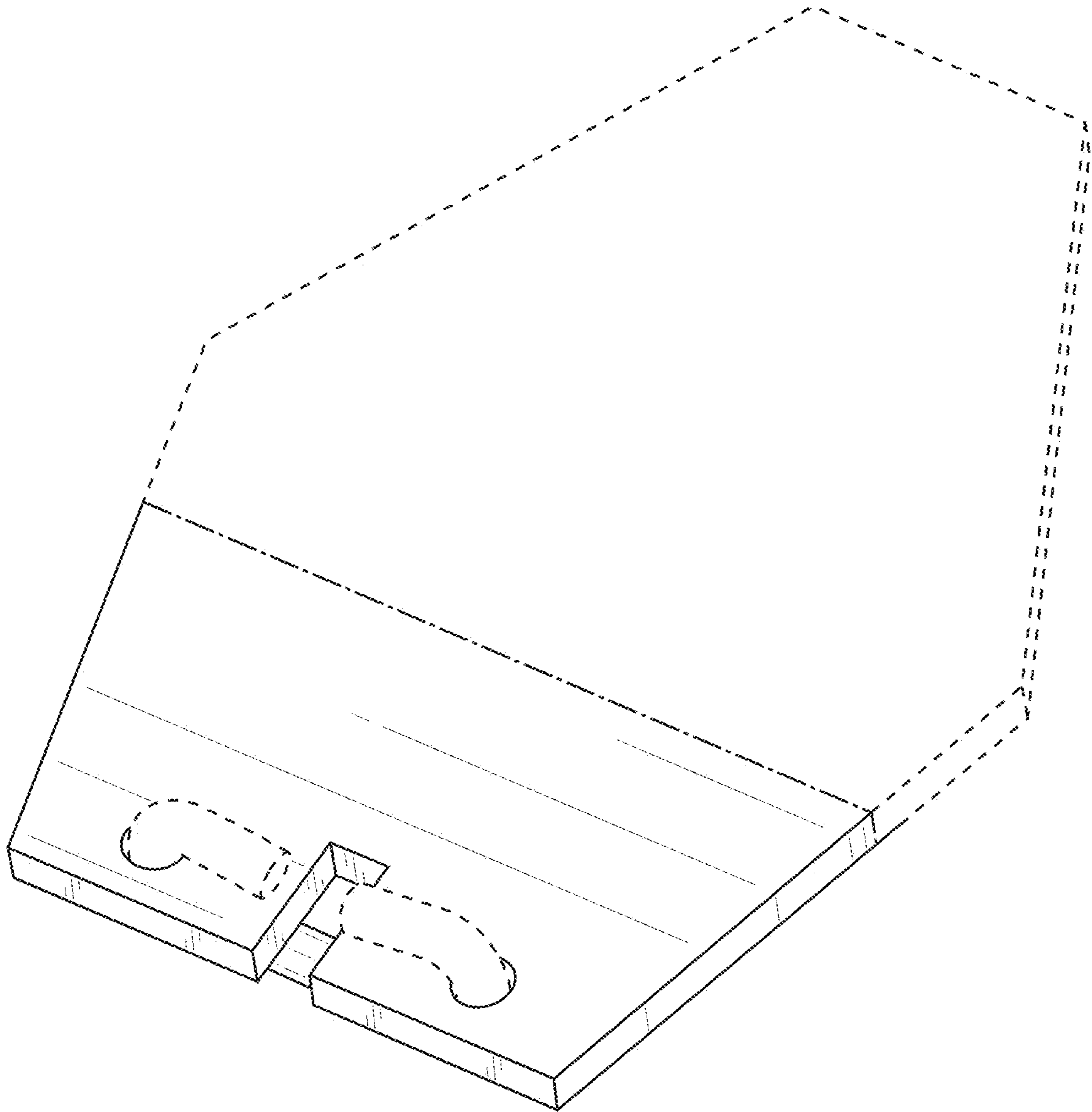


FIG. 14

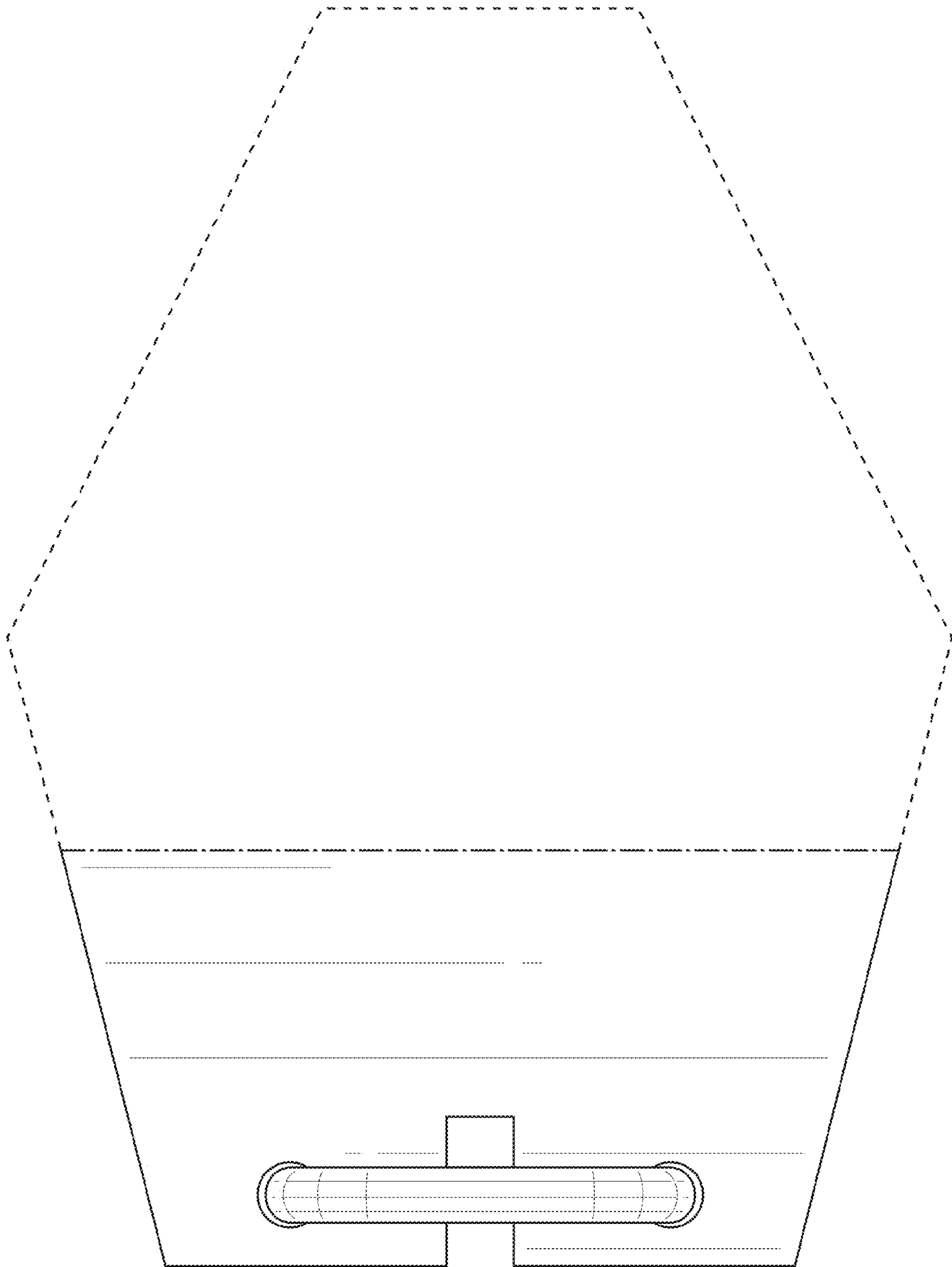


FIG. 15

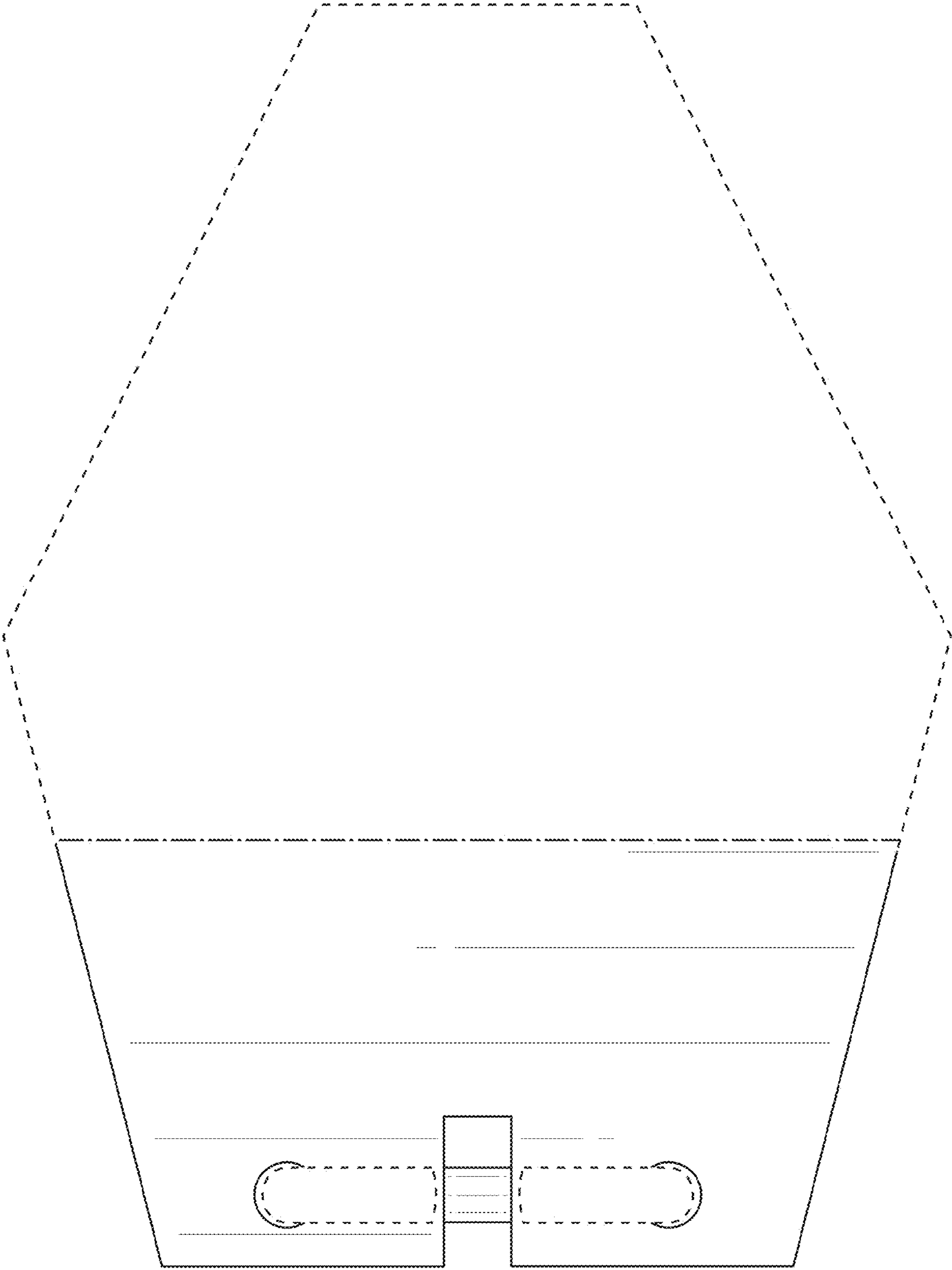


FIG. 16

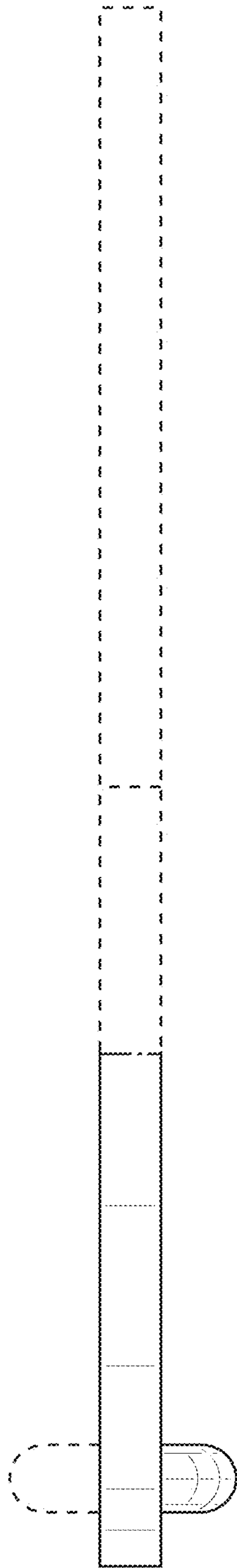


FIG. 17

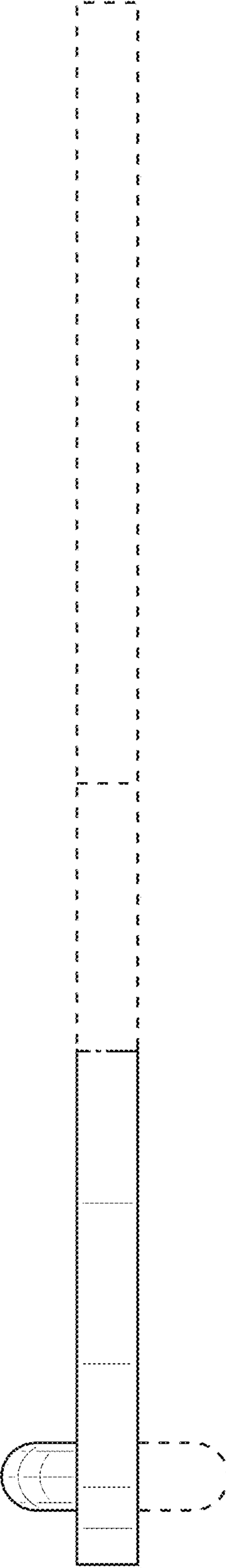


FIG. 18

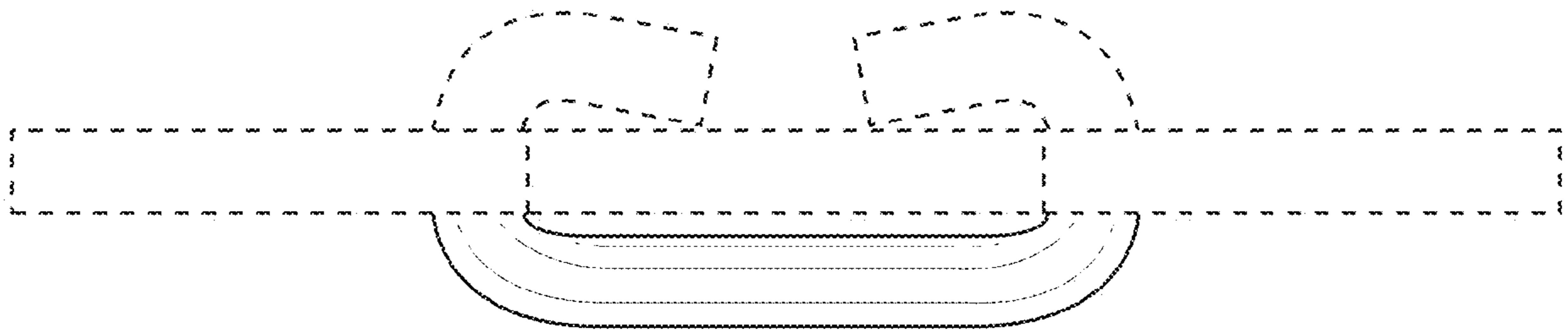


FIG. 19

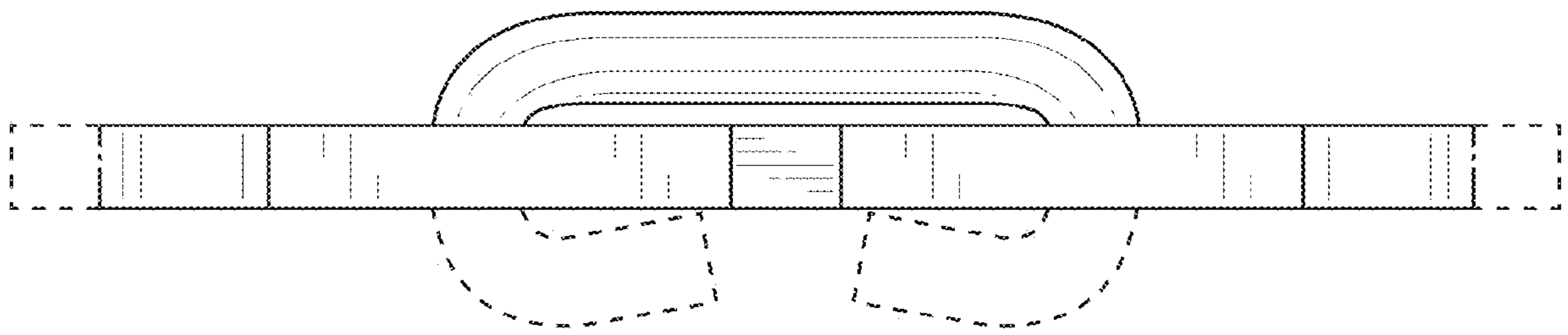


FIG. 20

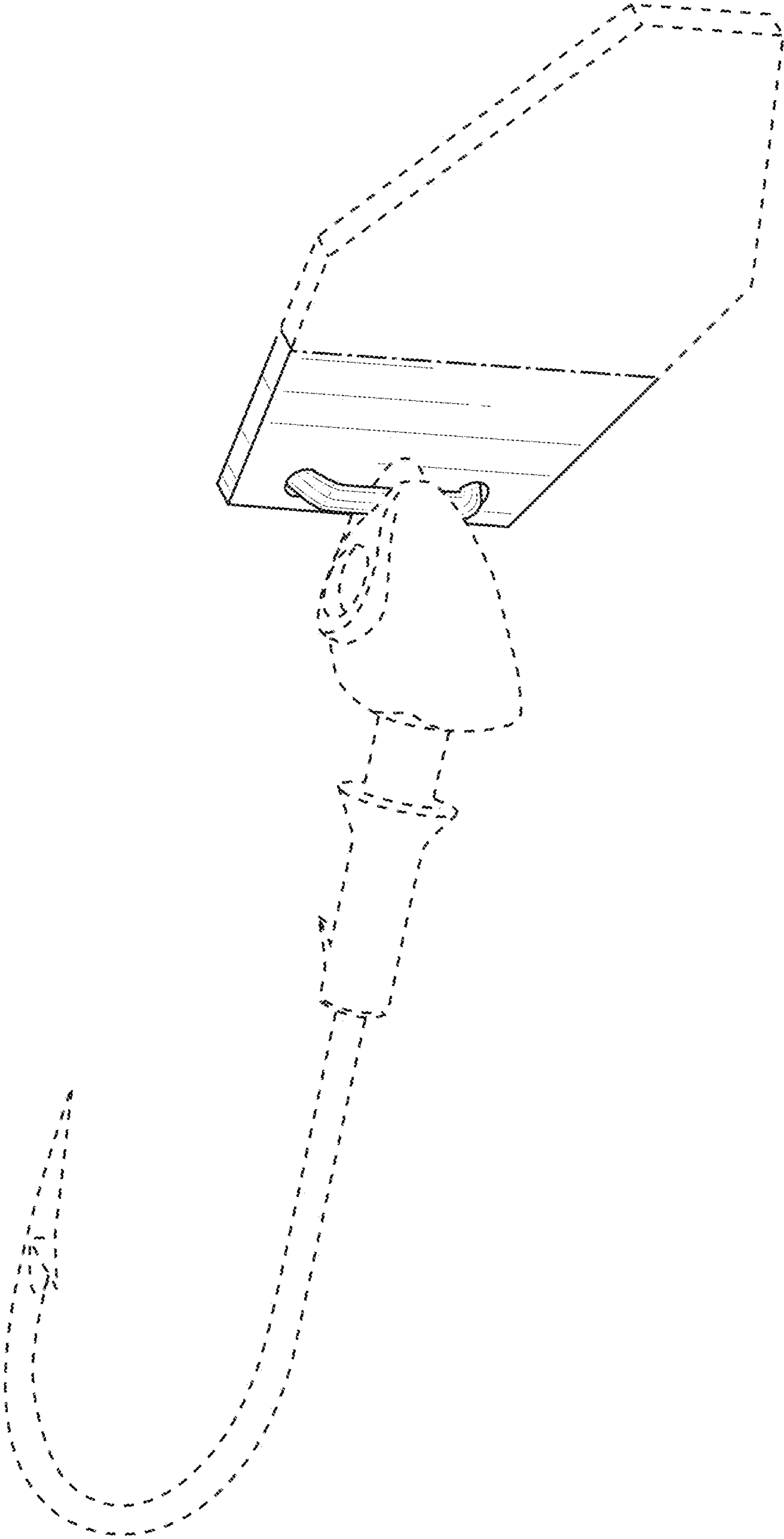


FIG. 21

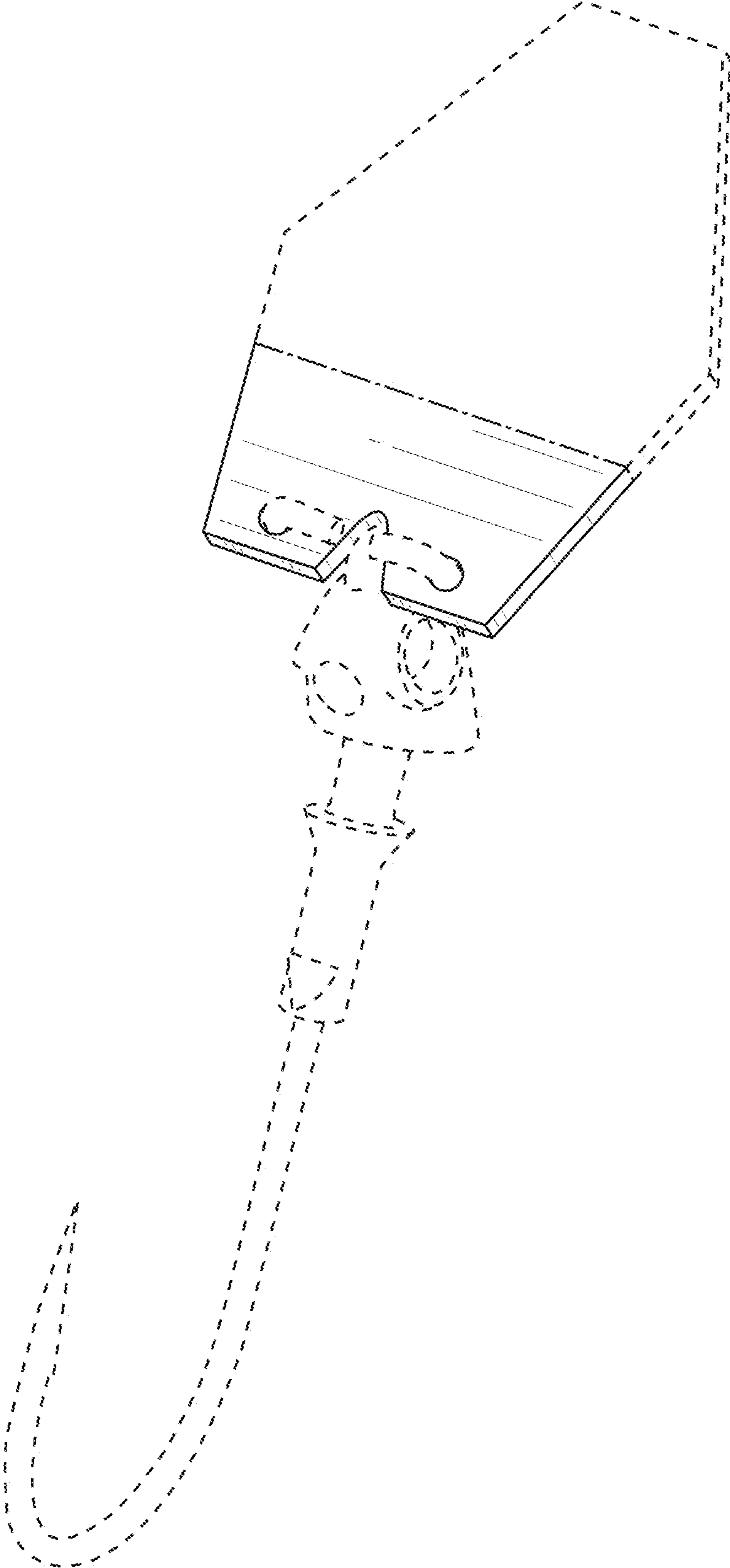


FIG. 22

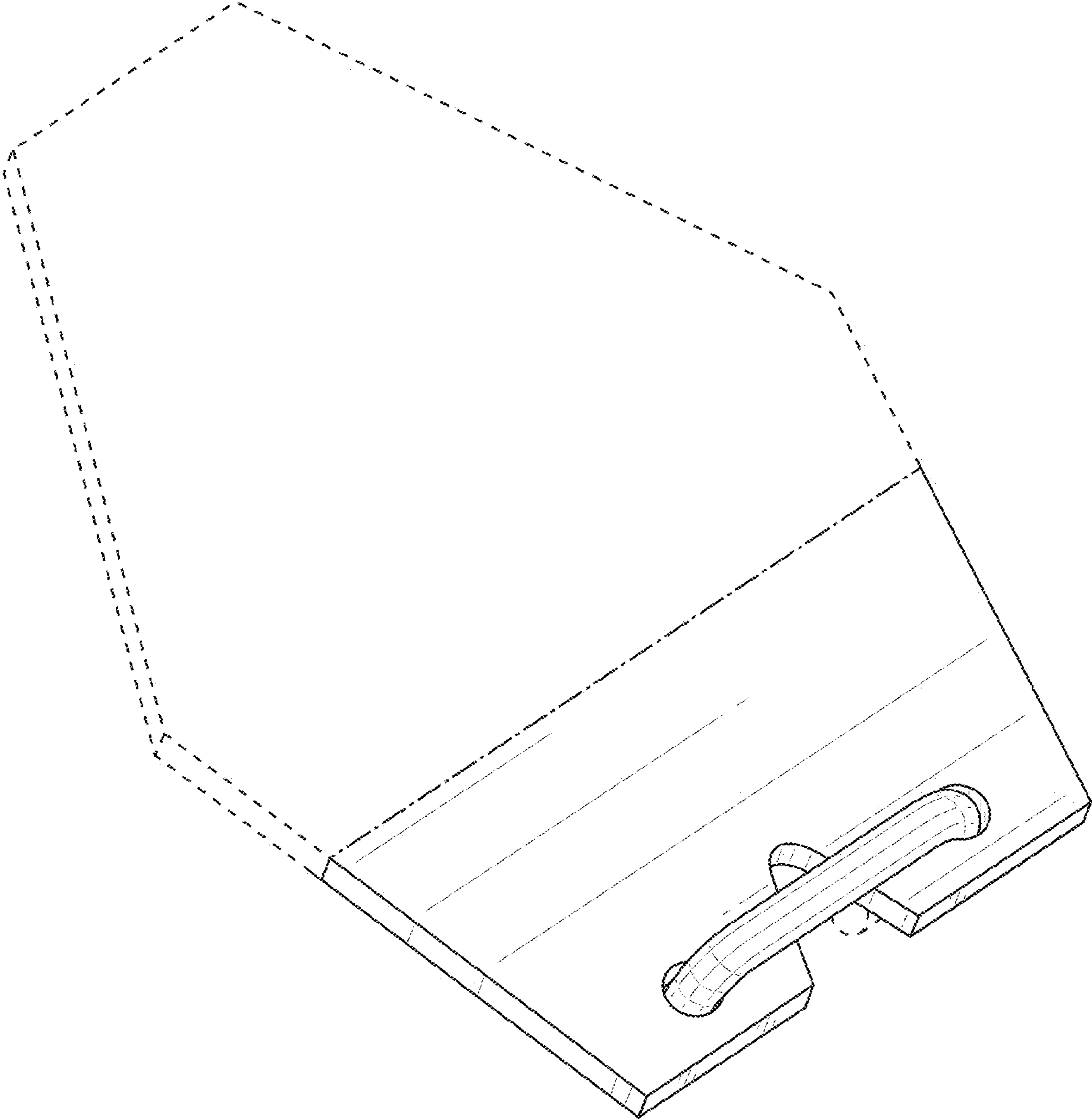


FIG. 23

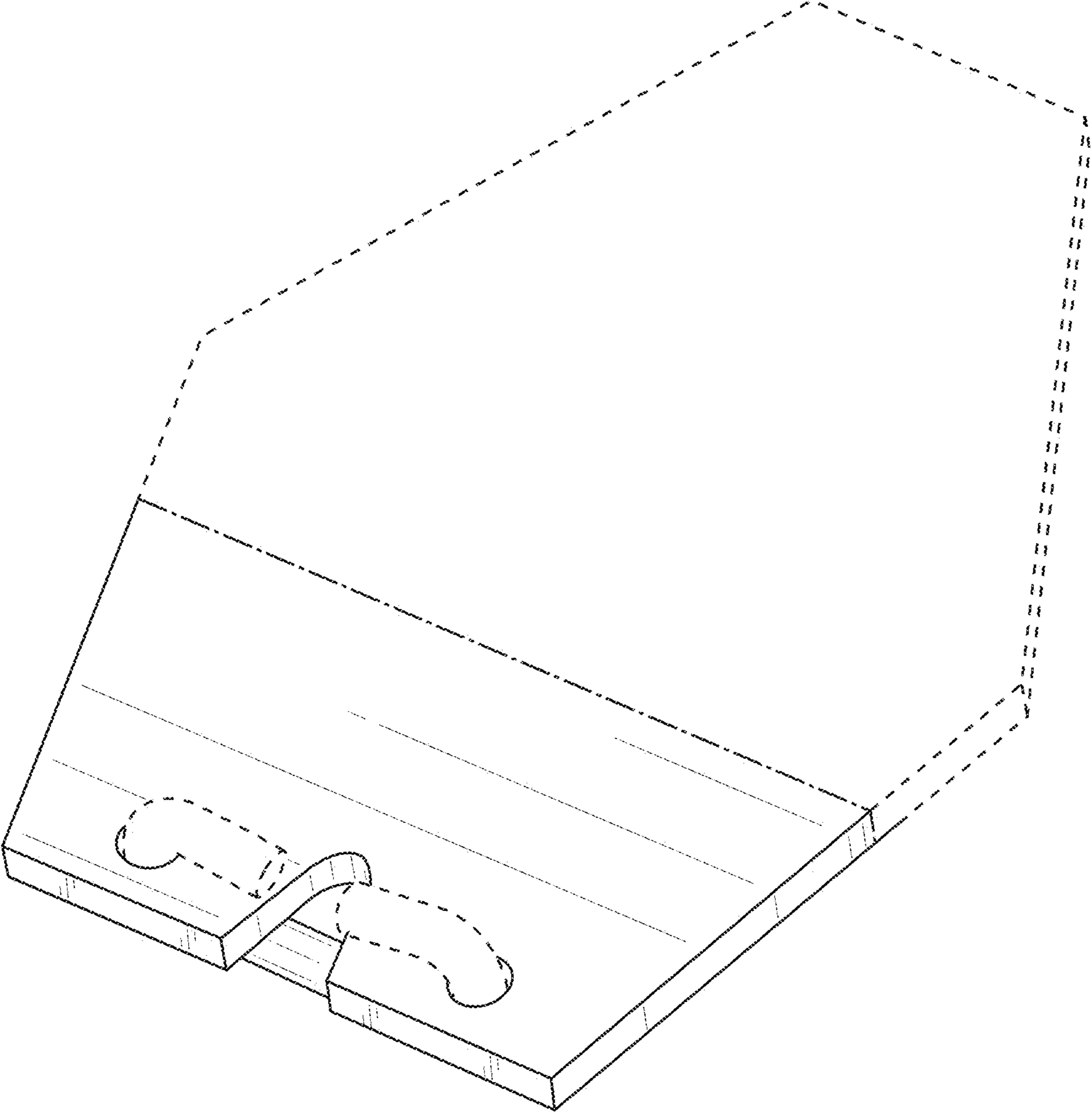


FIG. 24

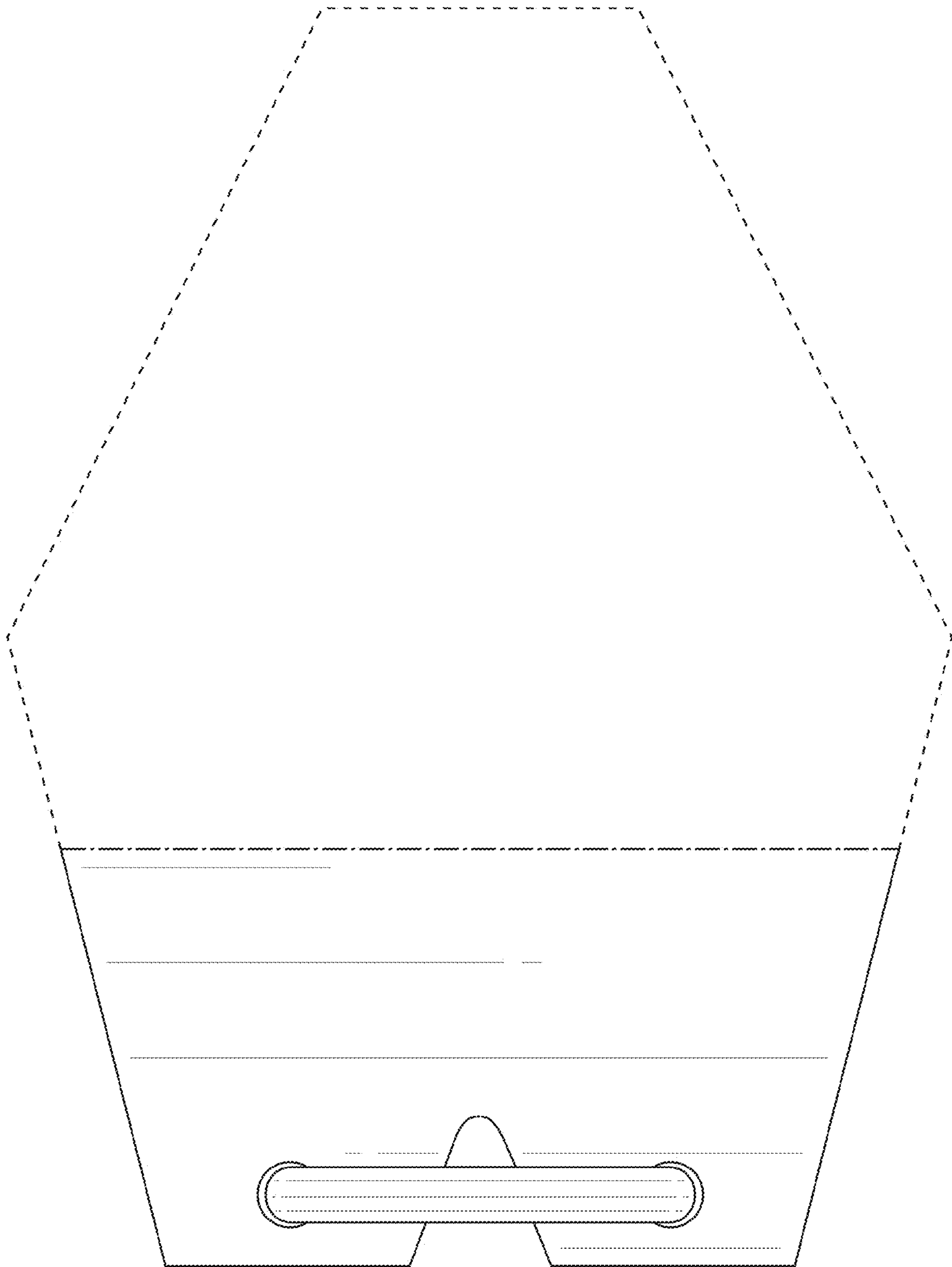


FIG. 25

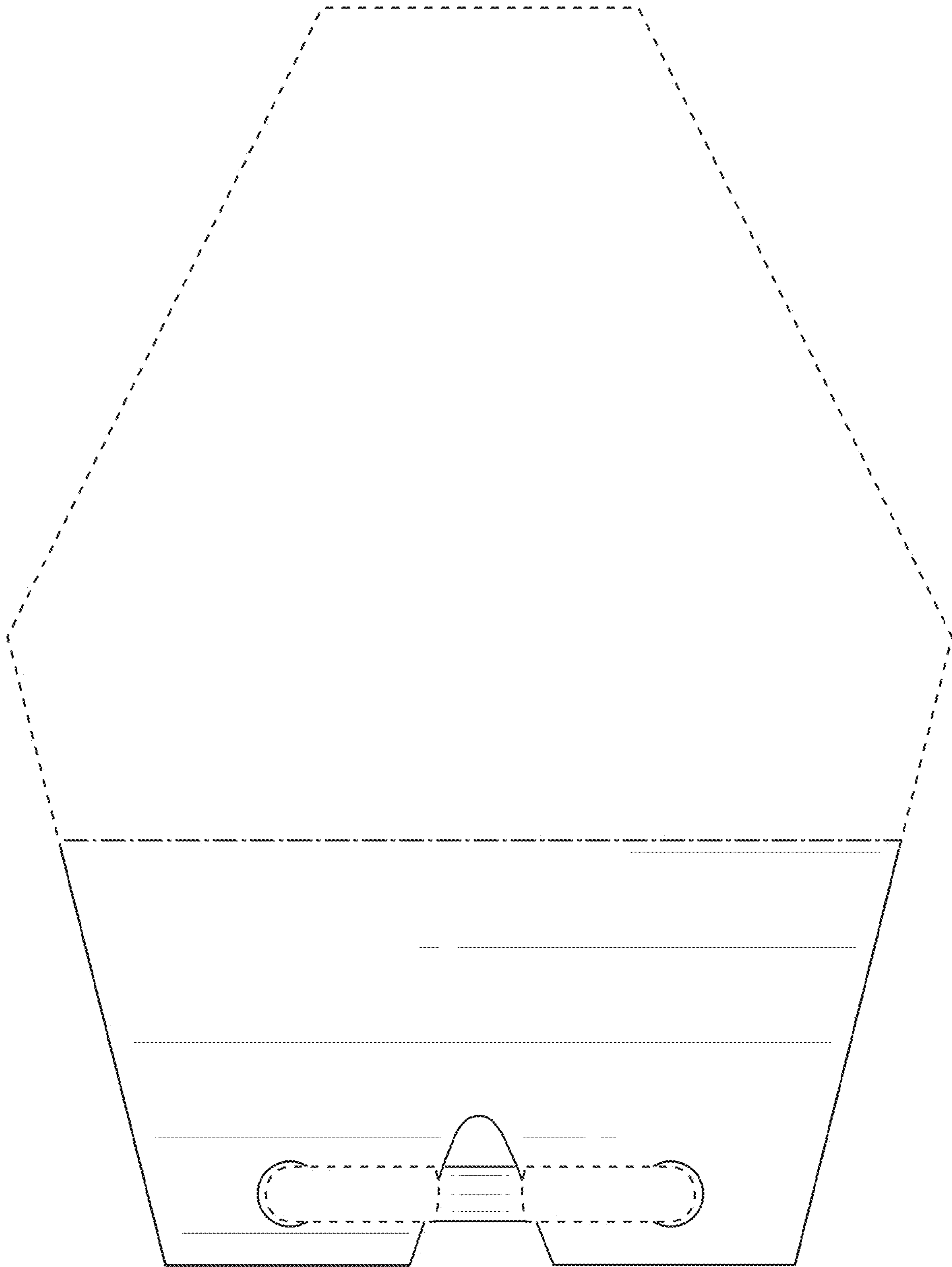


FIG. 26

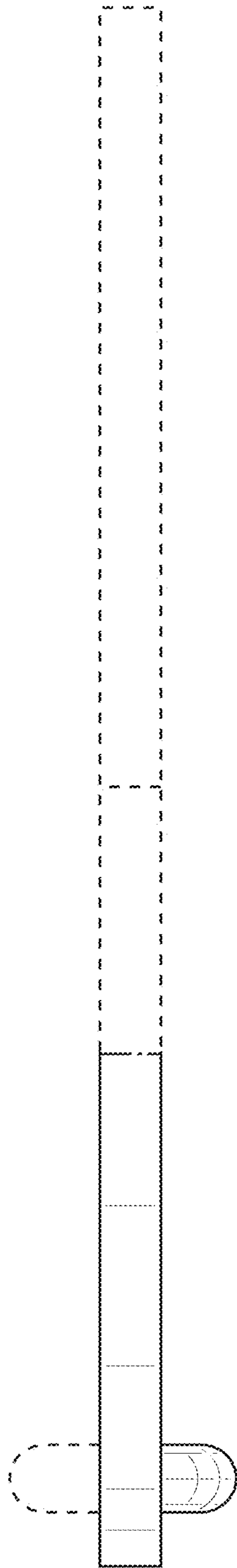


FIG. 27

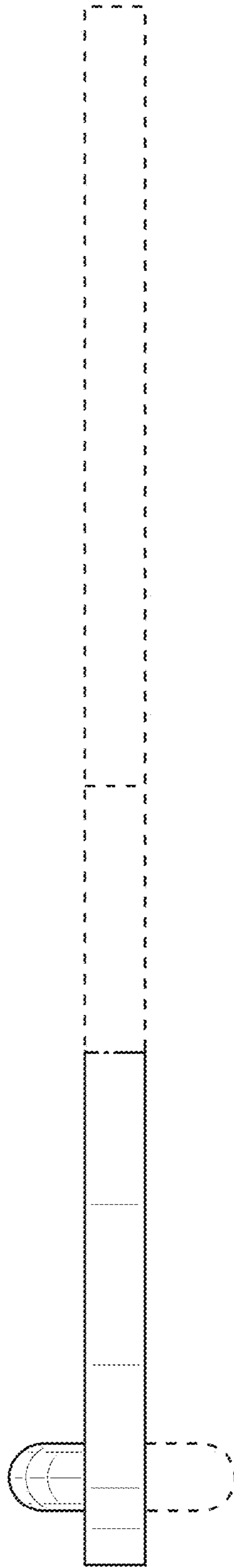


FIG. 28

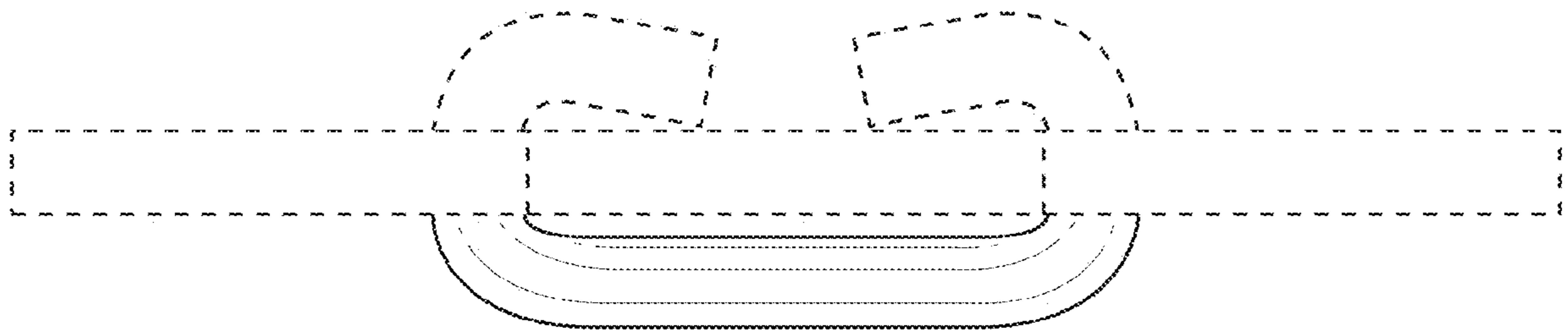


FIG. 29

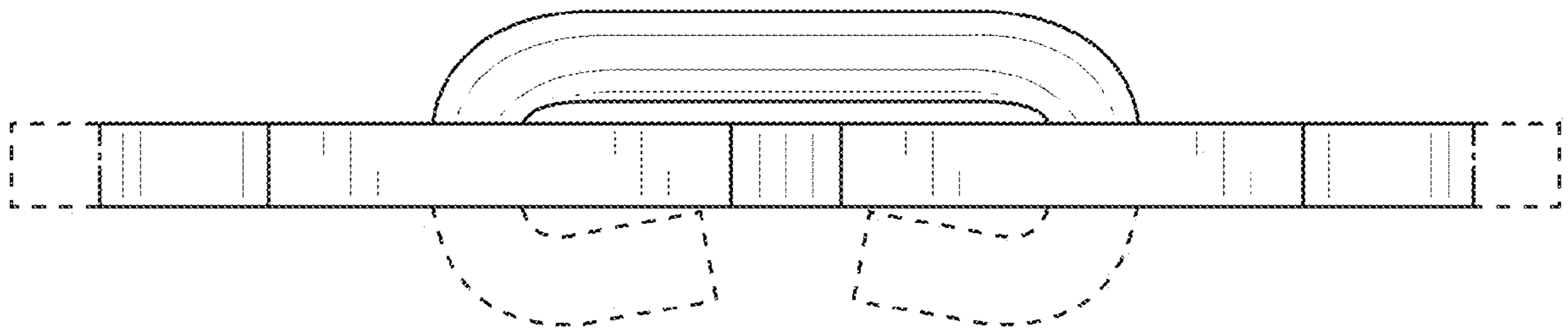


FIG. 30