



US00D898159S

(12) **United States Design Patent**
Lin

(10) **Patent No.:** **US D898,159 S**

(45) **Date of Patent:** **** Oct. 6, 2020**

(54) **FISHING ROD REEL SEAT**

(71) Applicant: **Yi-Te Lin**, Tainan (TW)

(72) Inventor: **Yi-Te Lin**, Tainan (TW)

(**) Term: **15 Years**

(21) Appl. No.: **29/700,421**

(22) Filed: **Aug. 2, 2019**

(51) **LOC (12) Cl.** **22-05**

(52) **U.S. Cl.**
USPC **D22/142**

(58) **Field of Classification Search**
USPC D22/142, 137-139; 43/18.1 CT, 18.1 R,
43/20-23
CPC A01K 87/06; A01K 87/08
See application file for complete search history.

(56) **References Cited**

U.S. PATENT DOCUMENTS

- 6,105,301 A * 8/2000 Ohmura A01K 87/06
43/22
- 6,357,165 B1 * 3/2002 Lu A01K 87/06
43/18.1 CT

- 7,621,067 B2 * 11/2009 Ito A01K 87/06
43/22
- D607,534 S * 1/2010 Akiba D22/142
- D672,429 S * 12/2012 Lin D22/142
- D757,210 S * 5/2016 Kiyota D22/142
- D767,087 S * 9/2016 Lin D22/142

* cited by examiner

Primary Examiner — Catherine R Oliver-Garcia
(74) *Attorney, Agent, or Firm* — Alan D. Kamrath; Karin L. Williams; Mayer & Williams PC

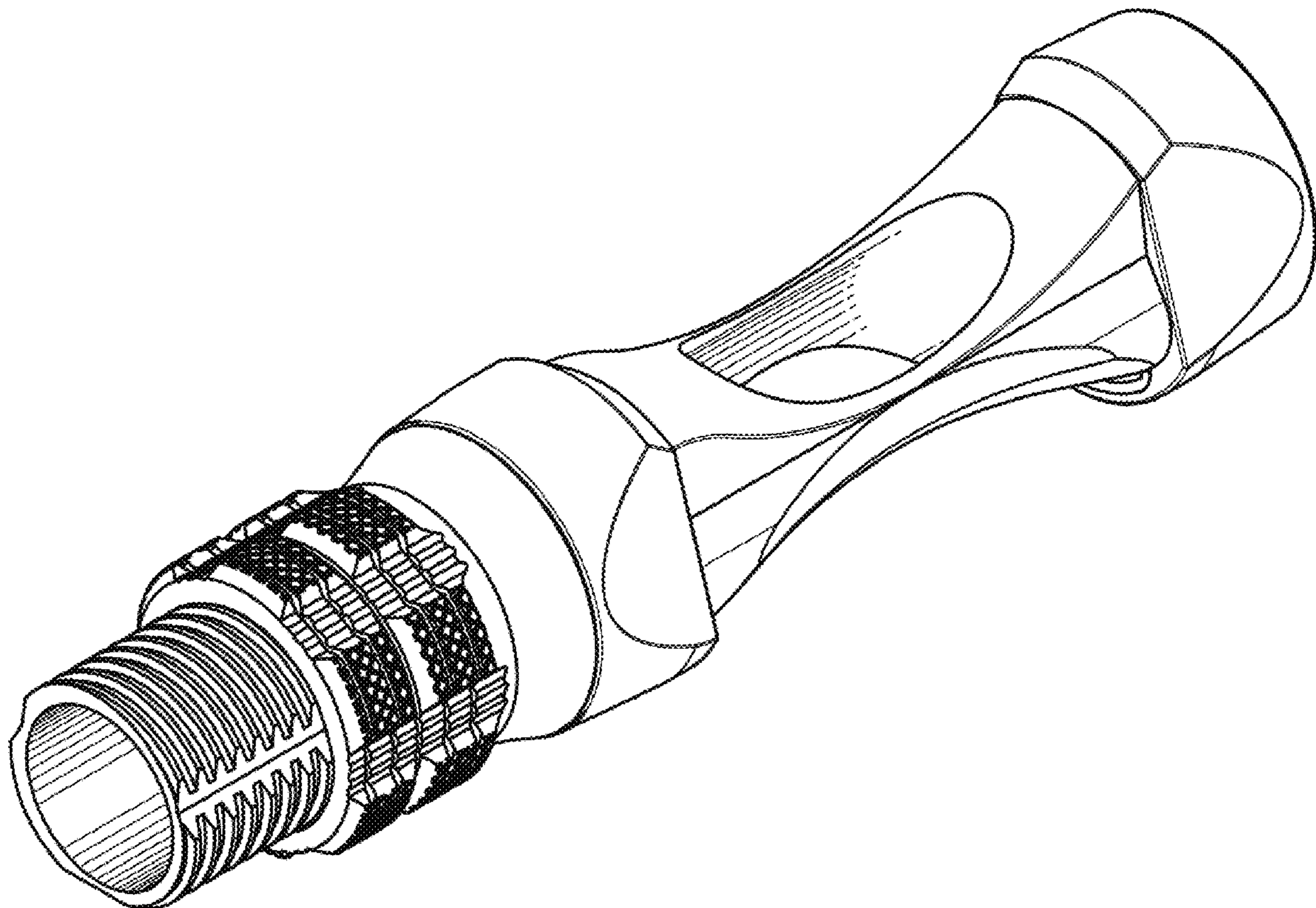
(57) **CLAIM**

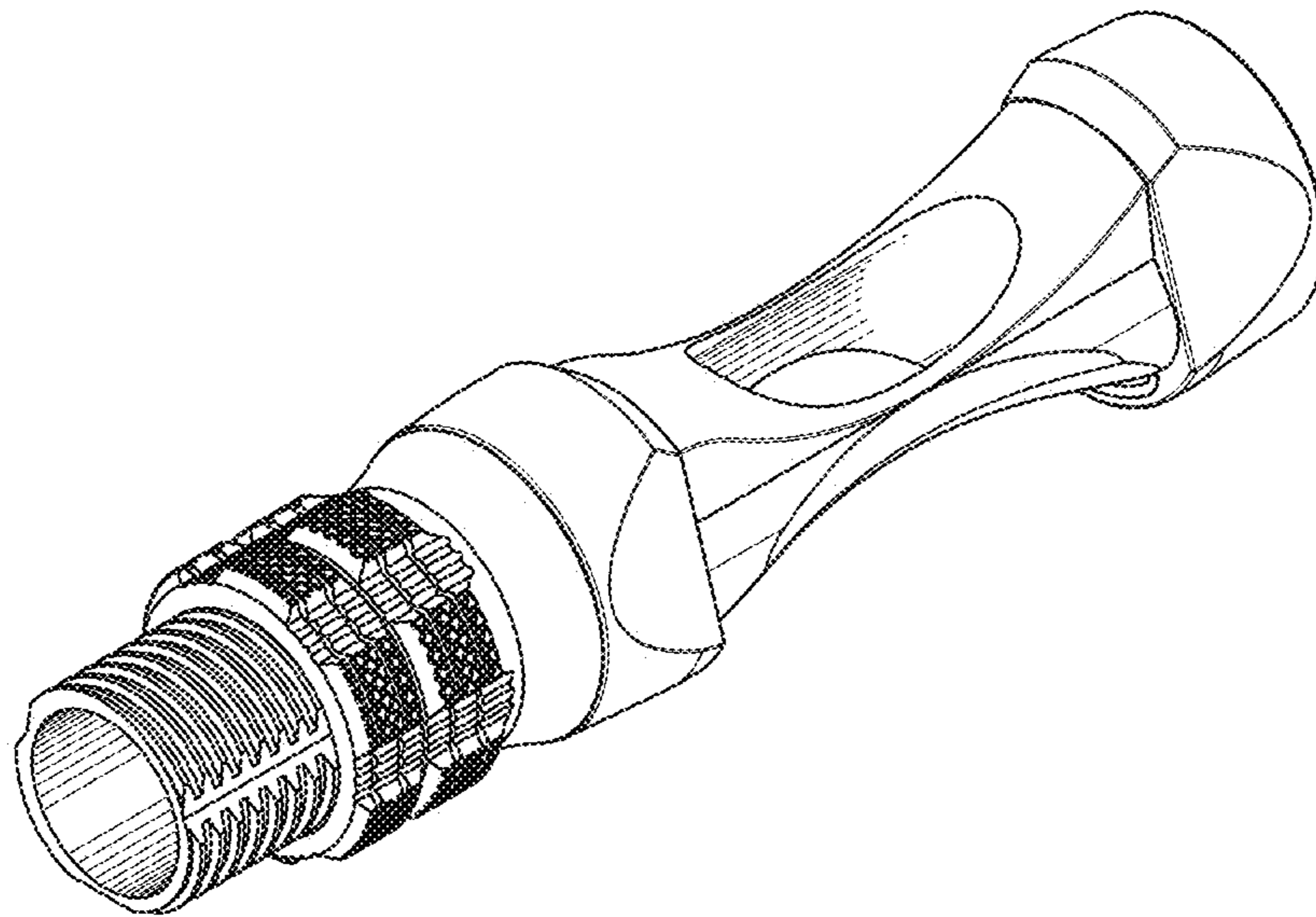
The ornamental design for the fishing rod reel seat, as shown and described.

DESCRIPTION

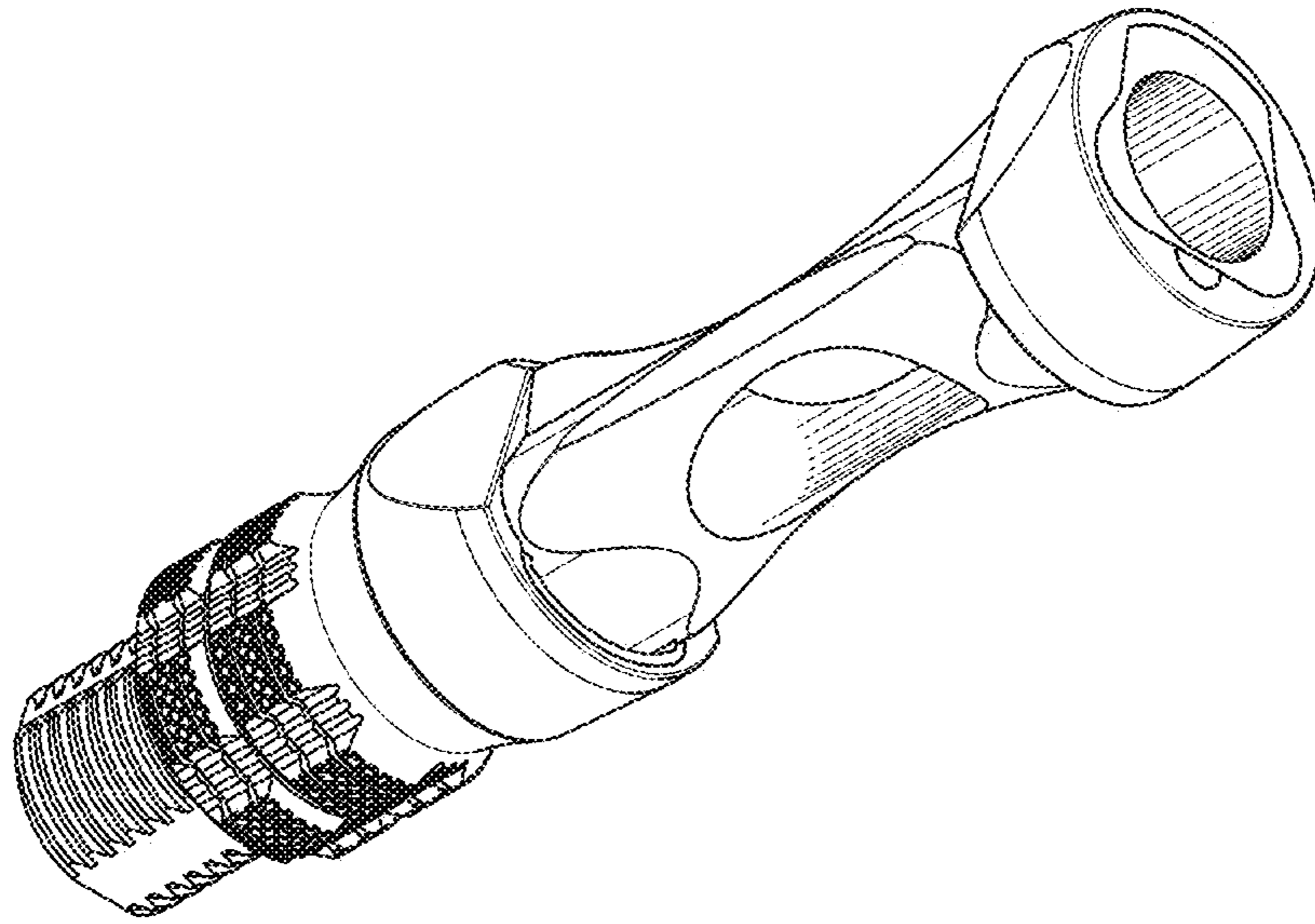
FIG. 1 is a perspective view of the fishing rod reel seat showing my new design;
FIG. 2 is another perspective view of the fishing rod reel seat.
FIG. 3 is a front elevation view thereof;
FIG. 4 is a rear elevation view thereof;
FIG. 5 is a left side elevation view thereof;
FIG. 6 is a right side elevation view thereof;
FIG. 7 is a top plan view thereof; and,
FIG. 8 is a bottom plan view thereof.

1 Claim, 8 Drawing Sheets

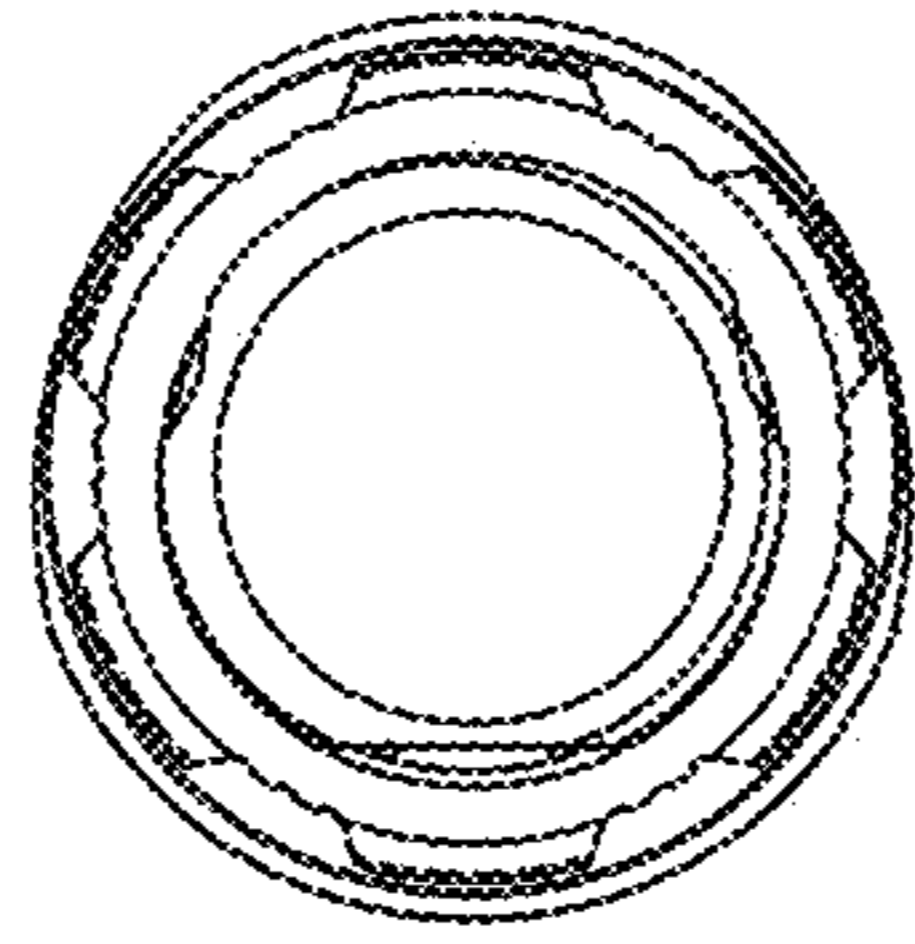




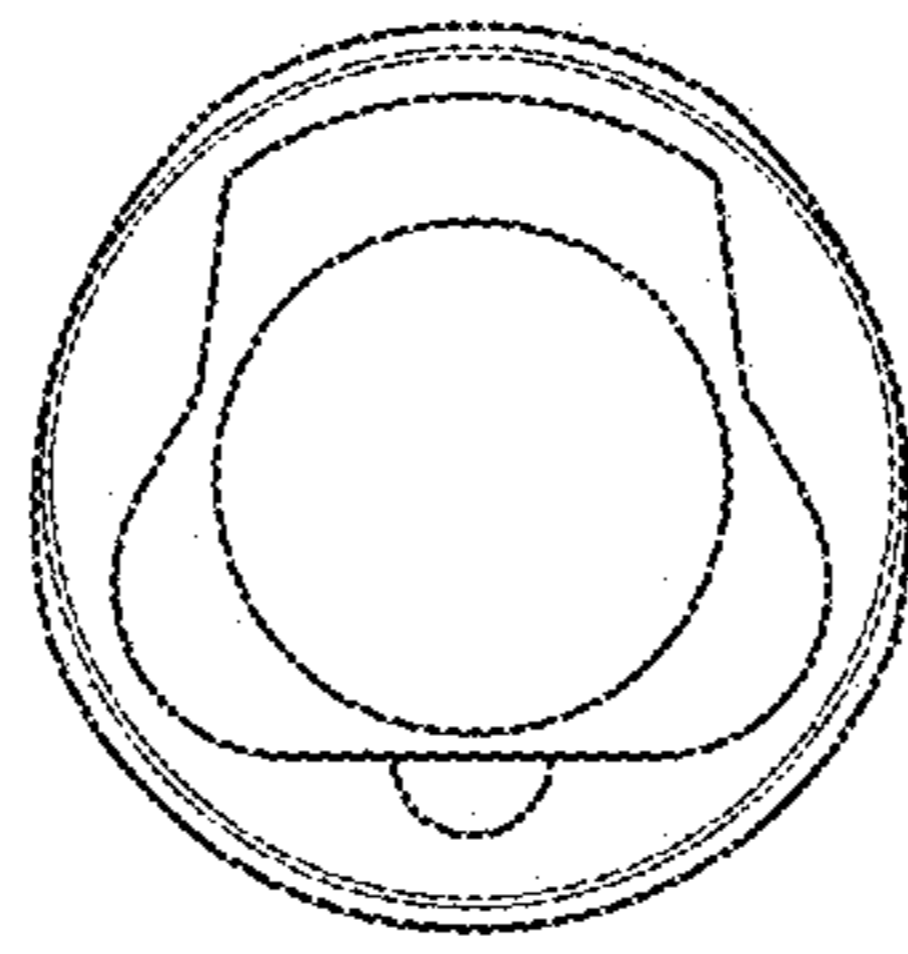
F I G . 1



F I G . 2



F I G . 3



F I G . 4

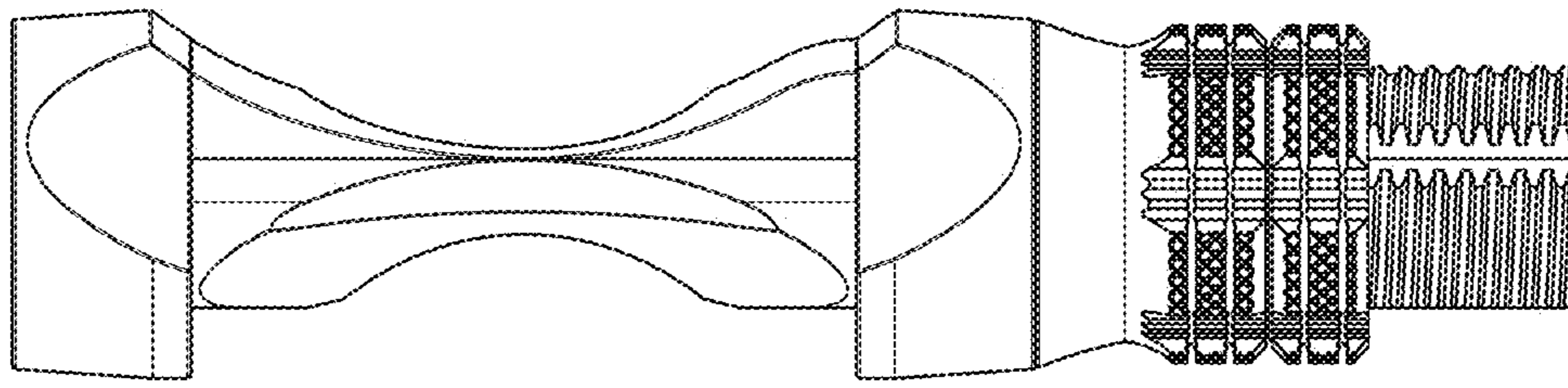
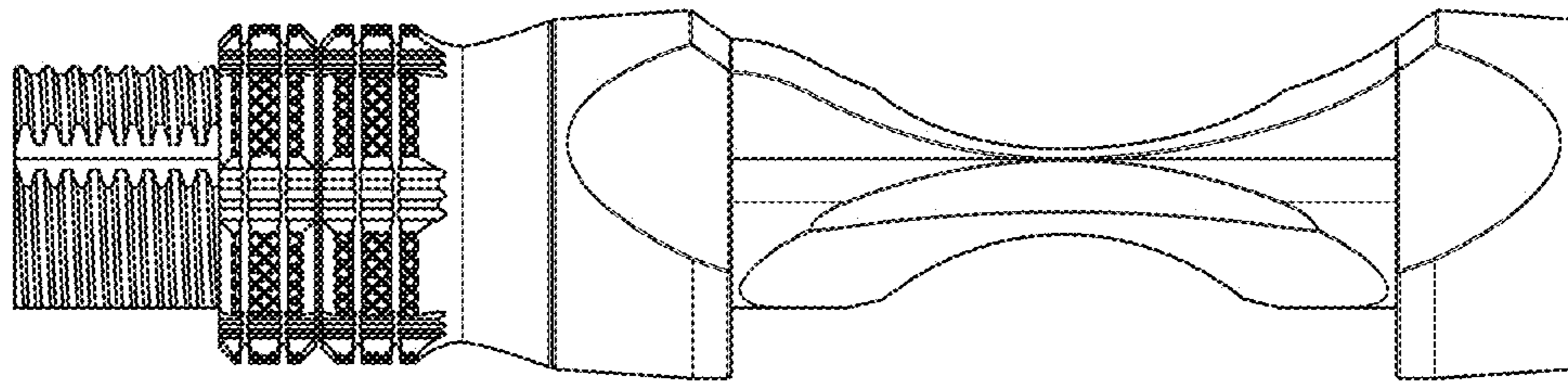


FIG. 5



F I G . 6

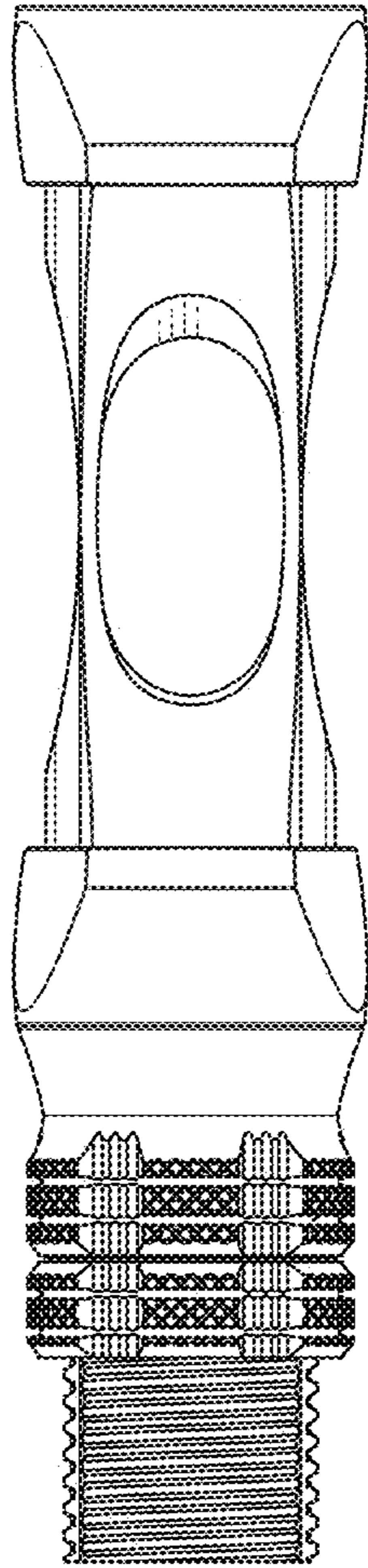


FIG. 7

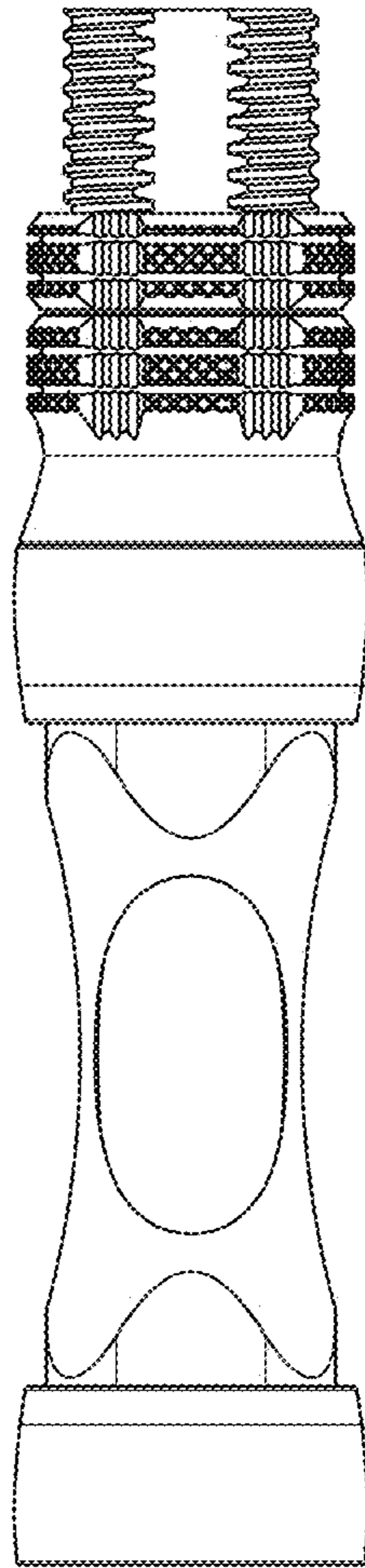


FIG. 8