



US00D898157S

(12) **United States Design Patent**
Roth

(10) **Patent No.:** **US D898,157 S**

(45) **Date of Patent:** **** Oct. 6, 2020**

- (54) **SIGHT MOUNT**
- (71) Applicant: **Core-Arms, LLC**, Laguna Hills, CA (US)
- (72) Inventor: **David Roth**, Laguna Hills, CA (US)
- (73) Assignee: **Core-Arms, LLC**, Laguna Hills, CA (US)
- (**) Term: **15 Years**
- (21) Appl. No.: **29/692,910**
- (22) Filed: **May 29, 2019**
- (51) **LOC (12) Cl.** **22-01**
- (52) **U.S. Cl.**
USPC **D22/110**
- (58) **Field of Classification Search**
USPC D22/100, 101, 103, 104, 108, 109, 110,
D22/111, 115, 116, 199; D21/567, 573,
D21/574
CPC ... F41G 1/30; F41G 1/42; F41G 11/00; F41G
11/001; F41C 7/00; F41C 3/005; F41C
23/04; F41C 23/10
See application file for complete search history.

- 8,613,379 B2 * 12/2013 Lee F16M 13/022
224/282
- 8,769,859 B2 7/2014 Li et al.
- D732,631 S * 6/2015 Cheng D22/109
- D732,632 S * 6/2015 Cheng D22/109
(Continued)

OTHER PUBLICATIONS

“Red dot base plates Glock” [online]. Toni system. [Retrieved May 21, 2020]. Retrieved from the Internet: <<http://www.tonisystem.it/EN/red-dot-base-plates-glock.html>>.*

Primary Examiner — Khawaja Anwar
Assistant Examiner — Mojtaba Tehrani
(74) *Attorney, Agent, or Firm* — UltimatEdge IP Law Group, P.C.; Dean G. Stathakis

(57) **CLAIM**

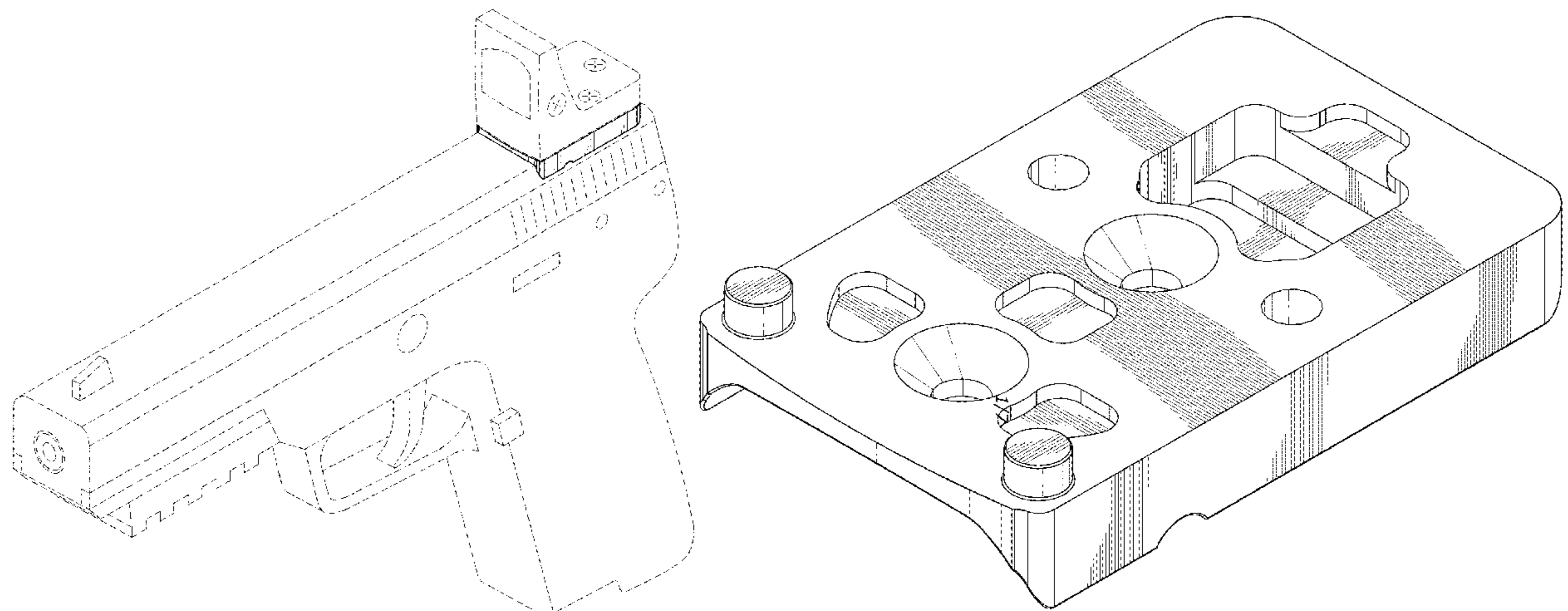
The ornamental design for a sight mount, as shown and described.

DESCRIPTION

FIG. 1 is a top front perspective view of a sight mount, showing my new design in an environment of use; FIG. 2 is a top front perspective view of the sight mount of FIG. 1; FIG. 3 is a bottom rear perspective view of the sight mount of FIG. 1; FIG. 4 is a right-side plan view of the sight mount of FIG. 1; FIG. 5 is a left-side plan view of the sight mount of FIG. 1; FIG. 6 is a front plan view of the sight mount of FIG. 1; FIG. 7 is a rear plan view of the sight mount of FIG. 1; FIG. 8 is a top plan view of the sight mount of FIG. 1; and, FIG. 9 is a bottom plan view of the sight mount of FIG. 1. The broken lines in FIG. 1 drawing depict unclaimed environment only and form no part of the claimed design.

1 Claim, 7 Drawing Sheets

- (56) **References Cited**
U.S. PATENT DOCUMENTS
- 4,862,624 A 9/1989 Williams
- 4,890,407 A 1/1990 Nichols
- D360,250 S 7/1995 Coste
- 6,418,657 B1 7/2002 Brown
- D533,547 S * 12/2006 Sergi D14/238
- D542,628 S * 5/2007 Brassard D8/354
- 7,240,451 B2 7/2007 Blair
- D559,083 S * 1/2008 Brassard D8/354
- D571,188 S * 6/2008 Brassard D8/354
- D619,195 S * 7/2010 Bengtsson D22/110
- D665,868 S 8/2012 Storch
- D675,281 S 1/2013 Speroni
- D681,767 S 5/2013 Li et al.



(56)

References Cited

U.S. PATENT DOCUMENTS

D741,442	S	10/2015	Wilson	
D802,697	S *	11/2017	Dueck	D22/108
D808,770	S *	1/2018	Cook	D8/354
9,869,531	B1	1/2018	Zimmer	
10,006,741	B2 *	6/2018	Jeung	F41G 1/30
10,088,275	B1 *	10/2018	Warren	F41C 3/00
D832,970	S *	11/2018	Jen	D22/108
D847,935	S *	5/2019	Smith	D22/108
D848,821	S *	5/2019	Cook	D8/354
D849,179	S *	5/2019	Staes	D22/109
D851,196	S *	6/2019	Chester	D22/108
D879,235	S *	3/2020	Chin	D22/109
10,612,718	B2 *	4/2020	Johnson, Sr.	F41G 11/00
10,655,933	B2 *	5/2020	Jeung	F41G 1/345

* cited by examiner

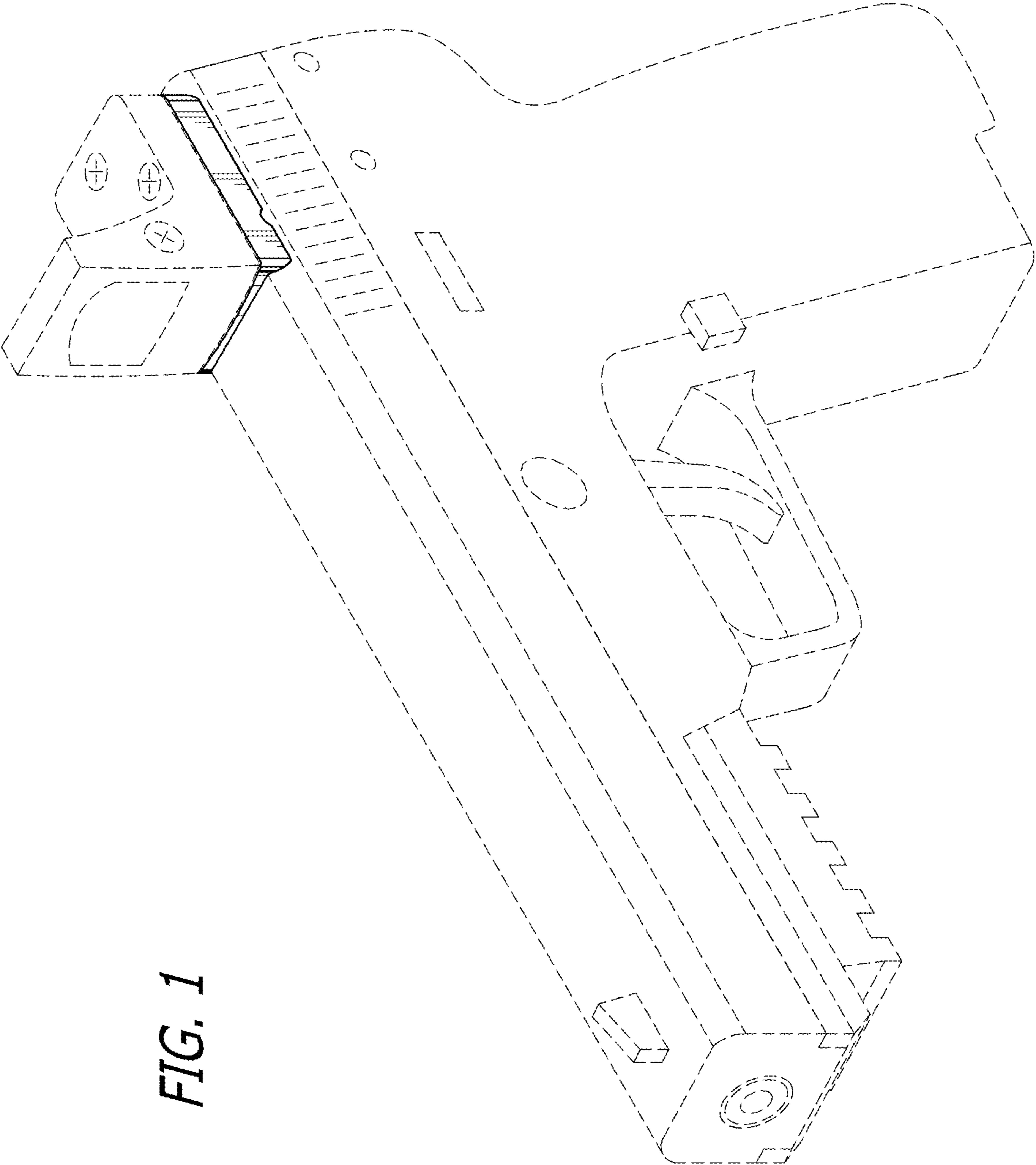


FIG. 1

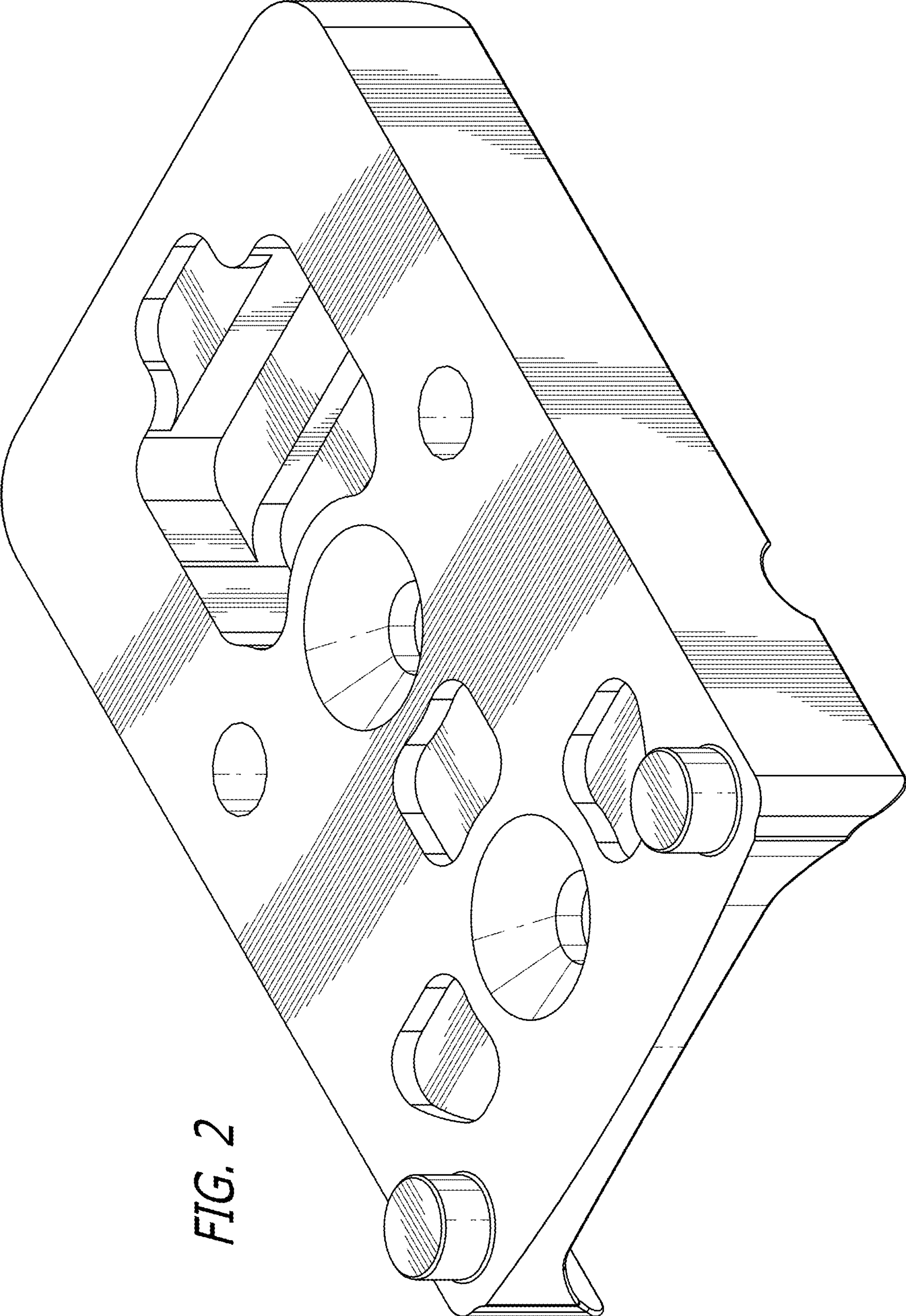


FIG. 2

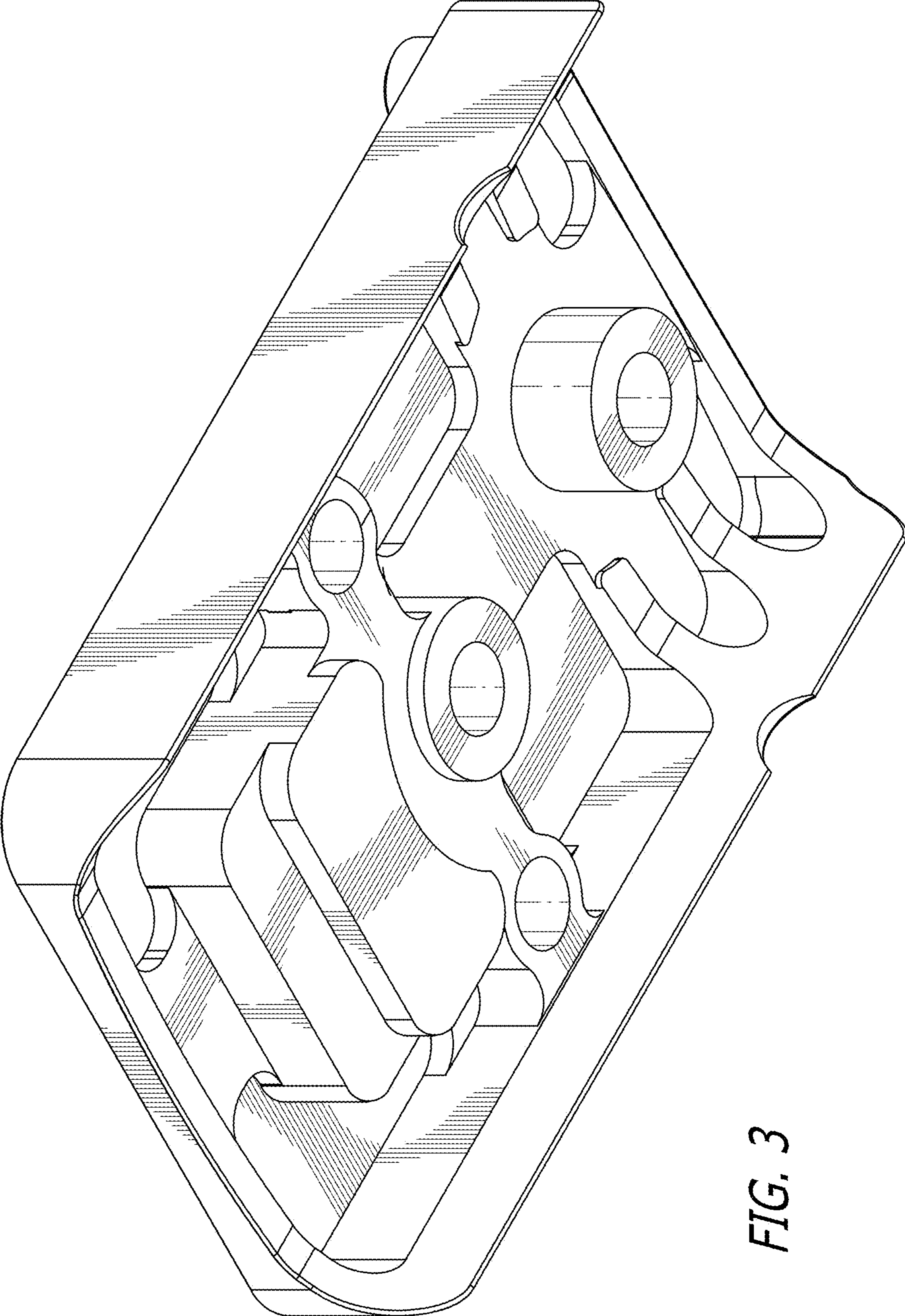


FIG. 3

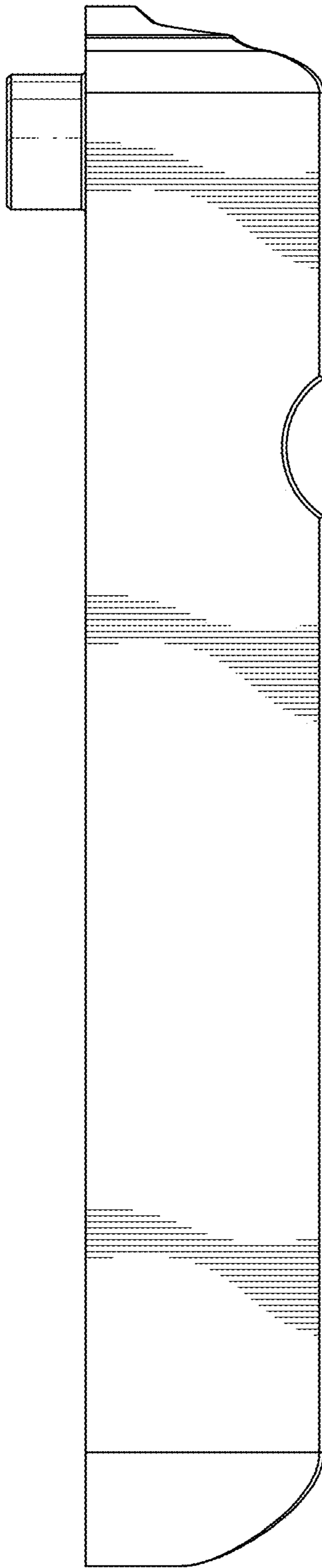


FIG. 4

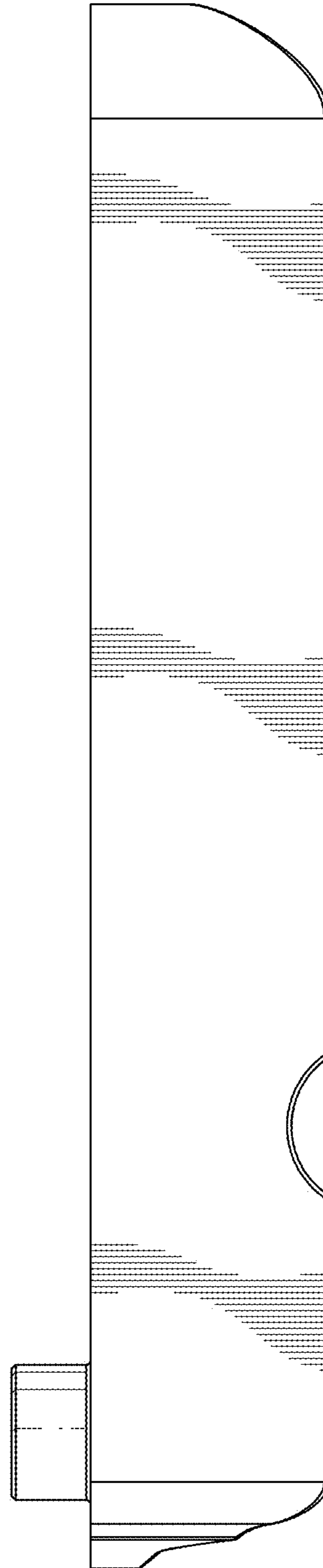


FIG. 5

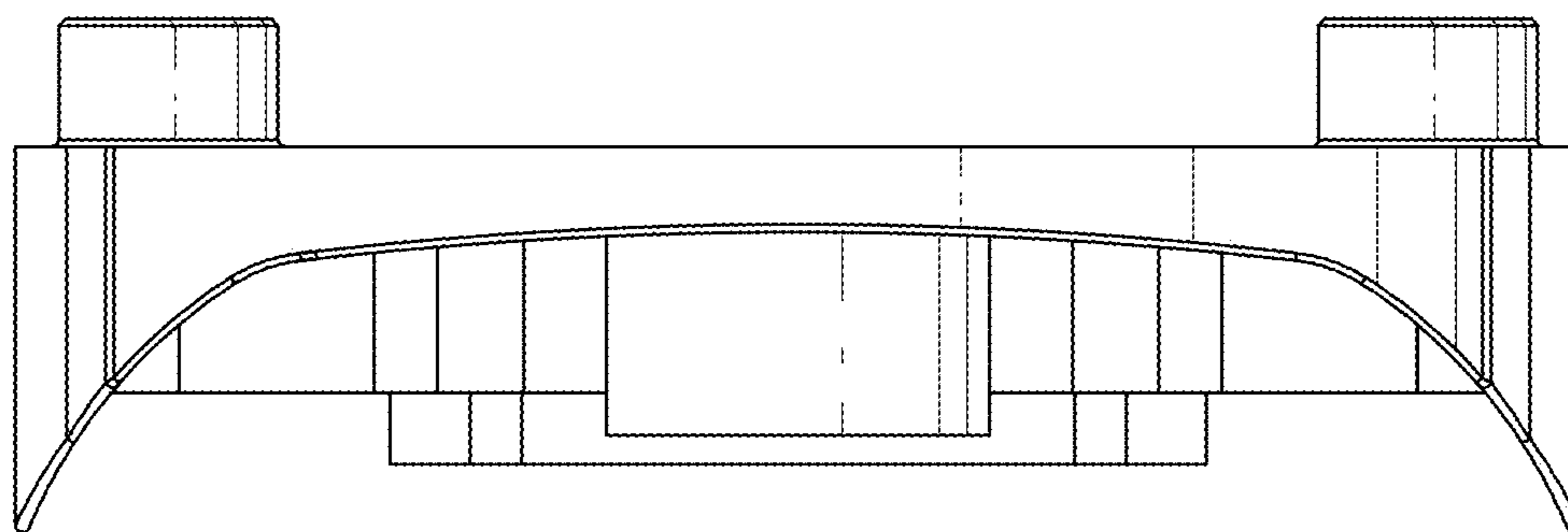


FIG. 6

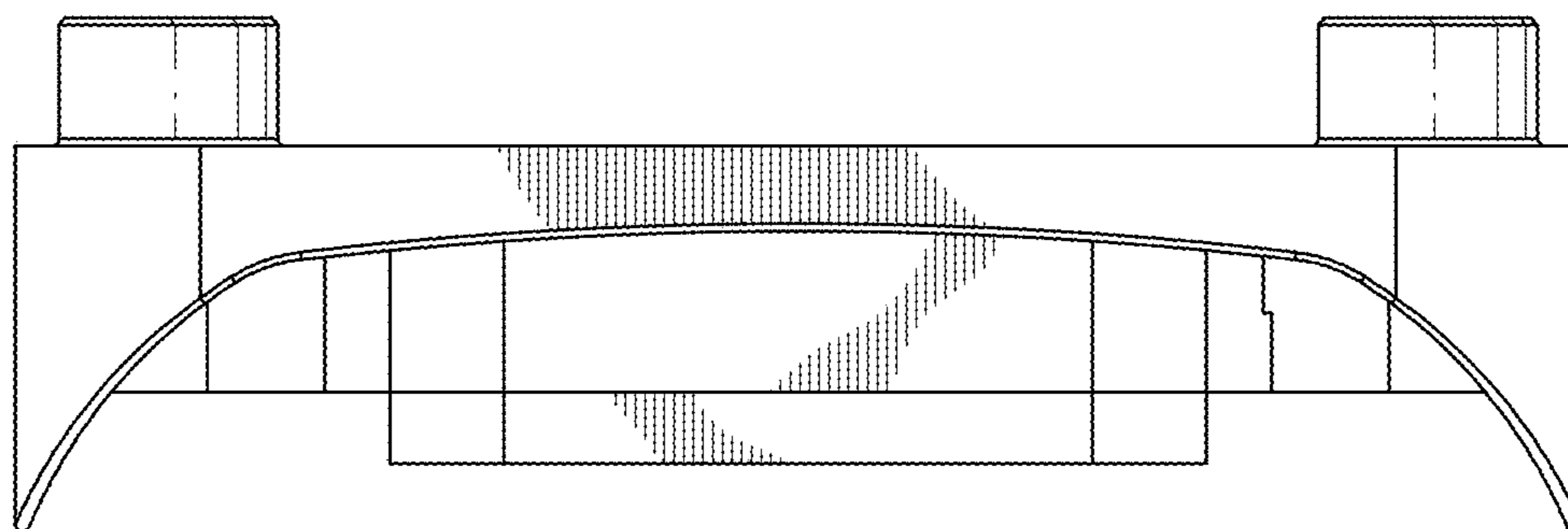


FIG. 7

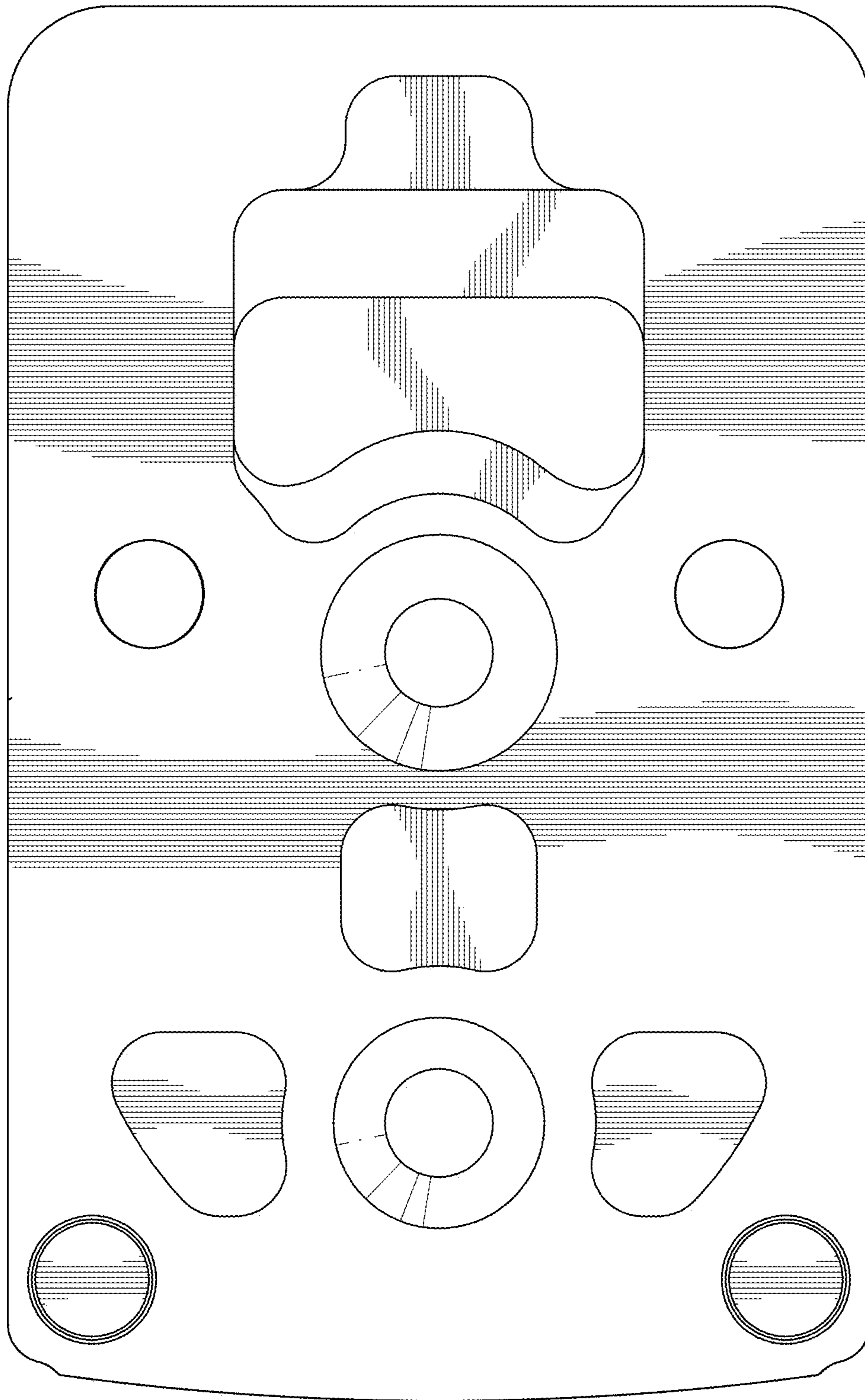


FIG. 8

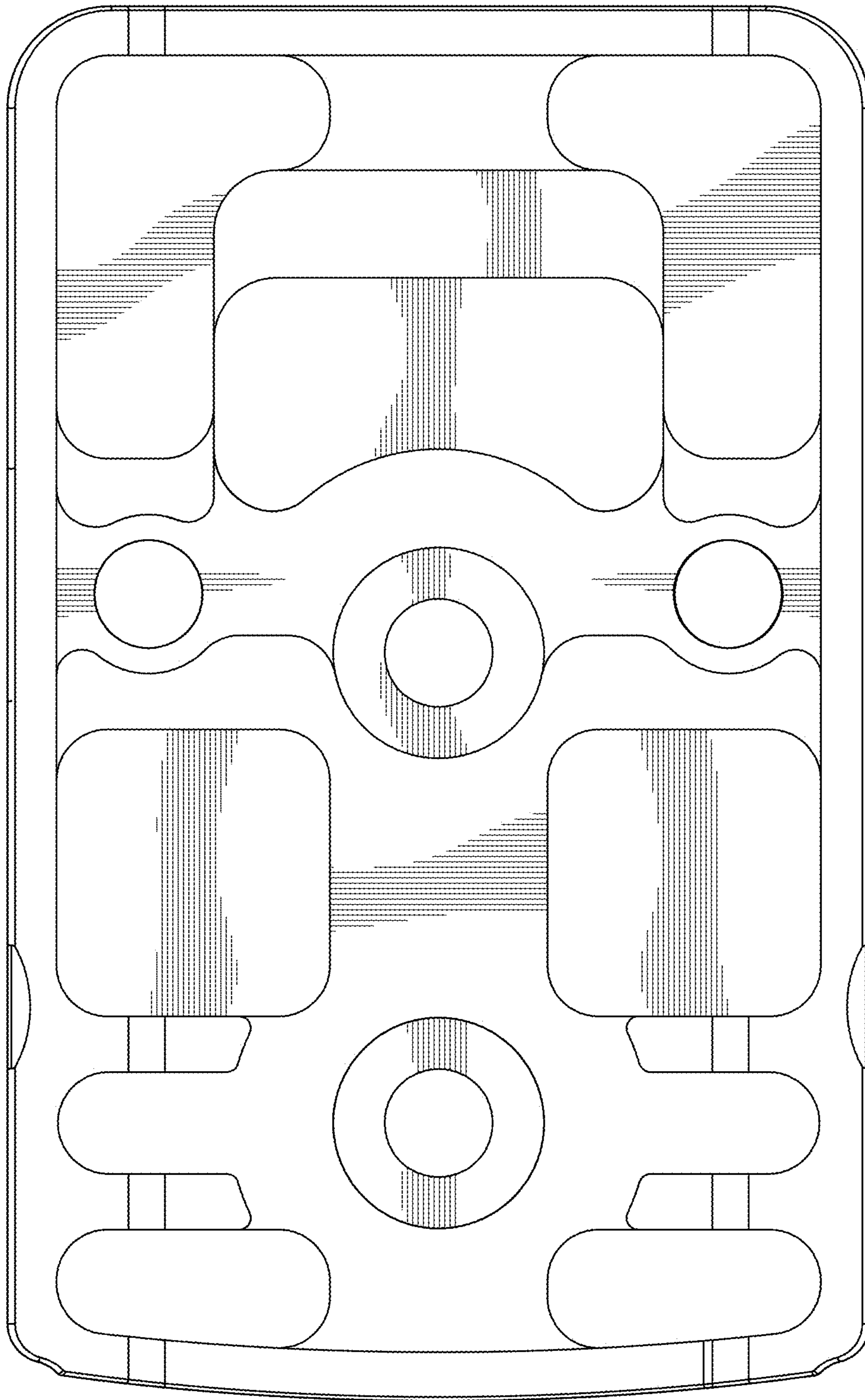


FIG. 9