



US00D898155S

(12) **United States Design Patent**  
**Leitner-Wise**

(10) **Patent No.:** **US D898,155 S**

(45) **Date of Patent:** **\*\* Oct. 6, 2020**

- (54) **CAM PIN**
- (71) Applicant: **Paul Leitner-Wise**, Washington, DC  
(US)
- (72) Inventor: **Paul Leitner-Wise**, Washington, DC  
(US)
- (\*\*) Term: **15 Years**
- (21) Appl. No.: **29/687,580**
- (22) Filed: **Apr. 13, 2019**
- (51) **LOC (12) Cl.** ..... **22-01**
- (52) **U.S. Cl.**  
USPC ..... **D22/108**
- (58) **Field of Classification Search**  
USPC ..... D22/108  
CPC ..... F41A 11/00; F41A 21/484; F41C 7/11  
See application file for complete search history.

8,789,305 B1 *	7/2014	DiChario	.....	F41A 3/66	42/75.03
D757,877 S *	5/2016	Huang	.....	D22/108	
D762,804 S *	8/2016	Gardner	.....	D22/108	
D775,304 S *	12/2016	Jen	.....	D22/108	
D851,198 S *	6/2019	Geissele	.....	D22/108	
D865,105 S *	10/2019	Oglesby	.....	D22/108	
D886,934 S *	6/2020	Geissele	.....	D22/108	
2015/0290775 A1 *	10/2015	Bennett	.....	B25B 1/2463	269/287

\* cited by examiner

*Primary Examiner* — Michael A. Pratt

(74) *Attorney, Agent, or Firm* — Christopher Wood

(57) **CLAIM**

The ornamental design for a cam pin, as shown and described.

**DESCRIPTION**

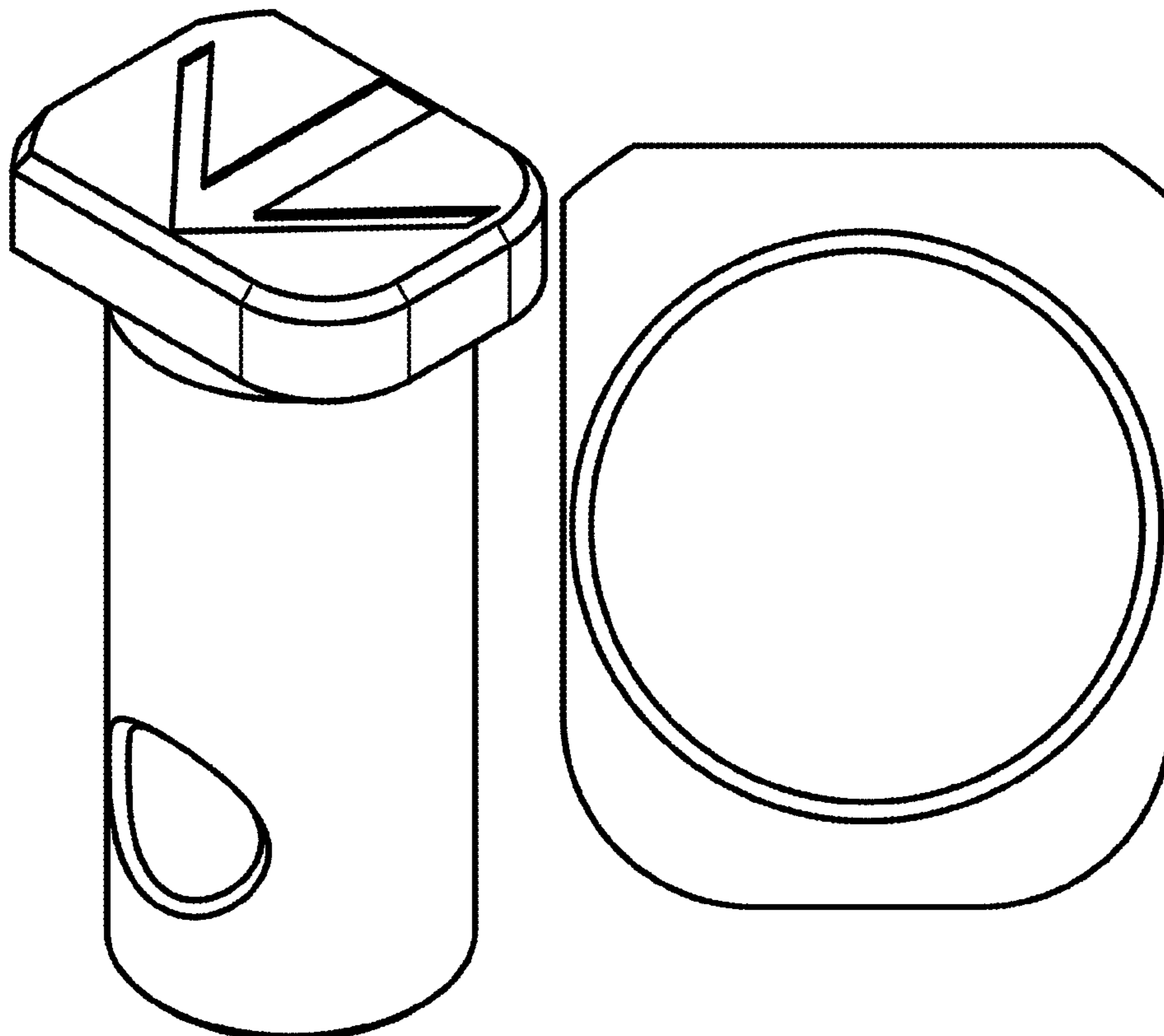
FIG. 1 is a front perspective view of a cam pin showing my new design;  
 FIG. 2 is a bottom plan view thereof;  
 FIG. 3 is a top plan view thereof;  
 FIG. 4 is a right side plan view thereof;  
 FIG. 5 is a left side plan view thereof;  
 FIG. 6 is a front plan view thereof;  
 FIG. 7 is a cross section taken along line 7-7 of FIG. 4;  
 FIG. 8 is a rear perspective view thereof; and,  
 FIG. 9 is a rear plan view thereof.

**1 Claim, 9 Drawing Sheets**

(56) **References Cited**

U.S. PATENT DOCUMENTS

5,900,577 A *	5/1999	Robinson	.....	F41A 11/02	89/156
6,212,814 B1 *	4/2001	Lambie	.....	F41A 11/02	42/75.03
7,523,580 B1 *	4/2009	Tankersley	.....	F41C 23/16	42/71.01
8,667,882 B1 *	3/2014	Larson	.....	F41A 3/66	89/140



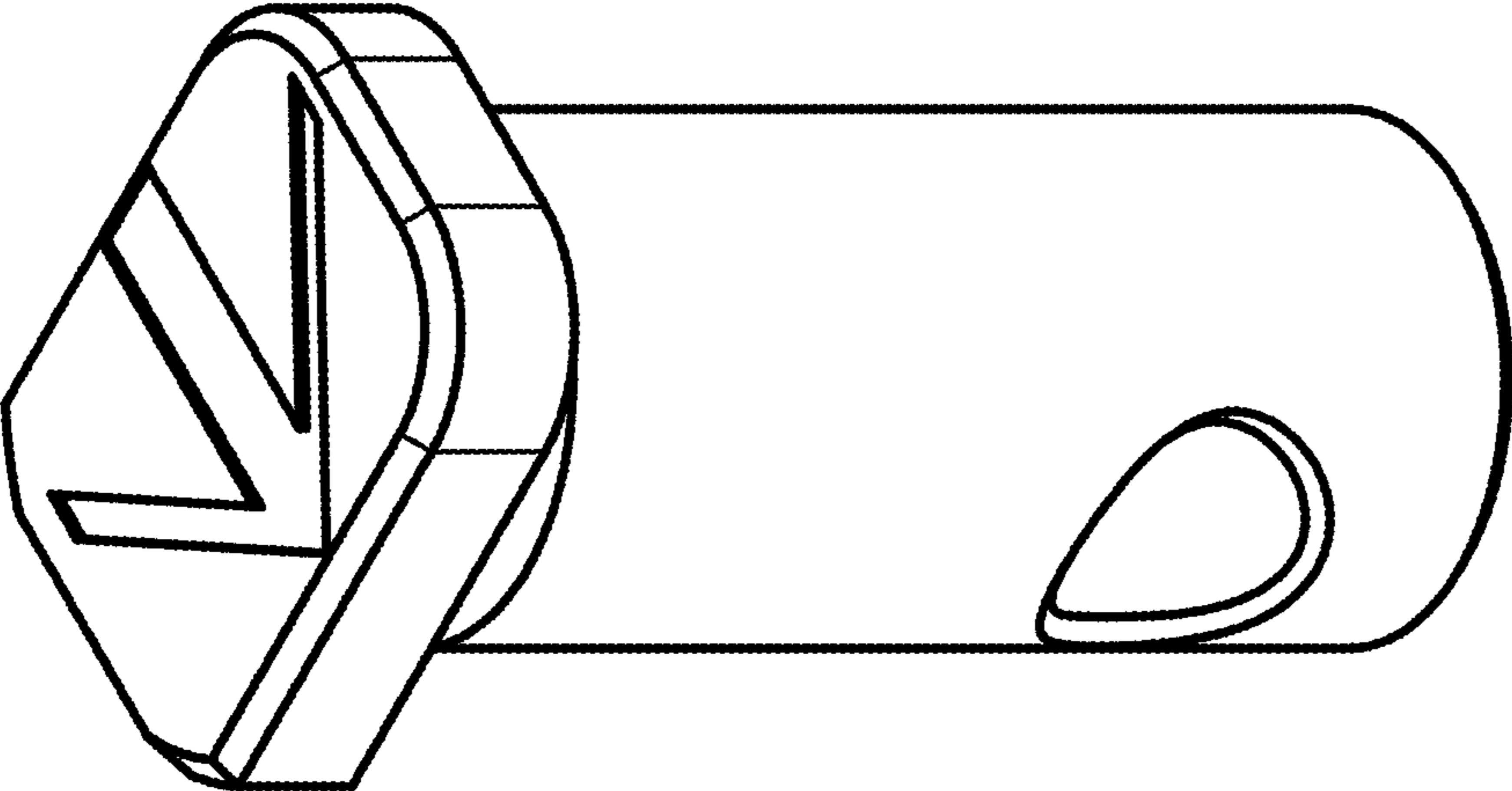


FIG. 1

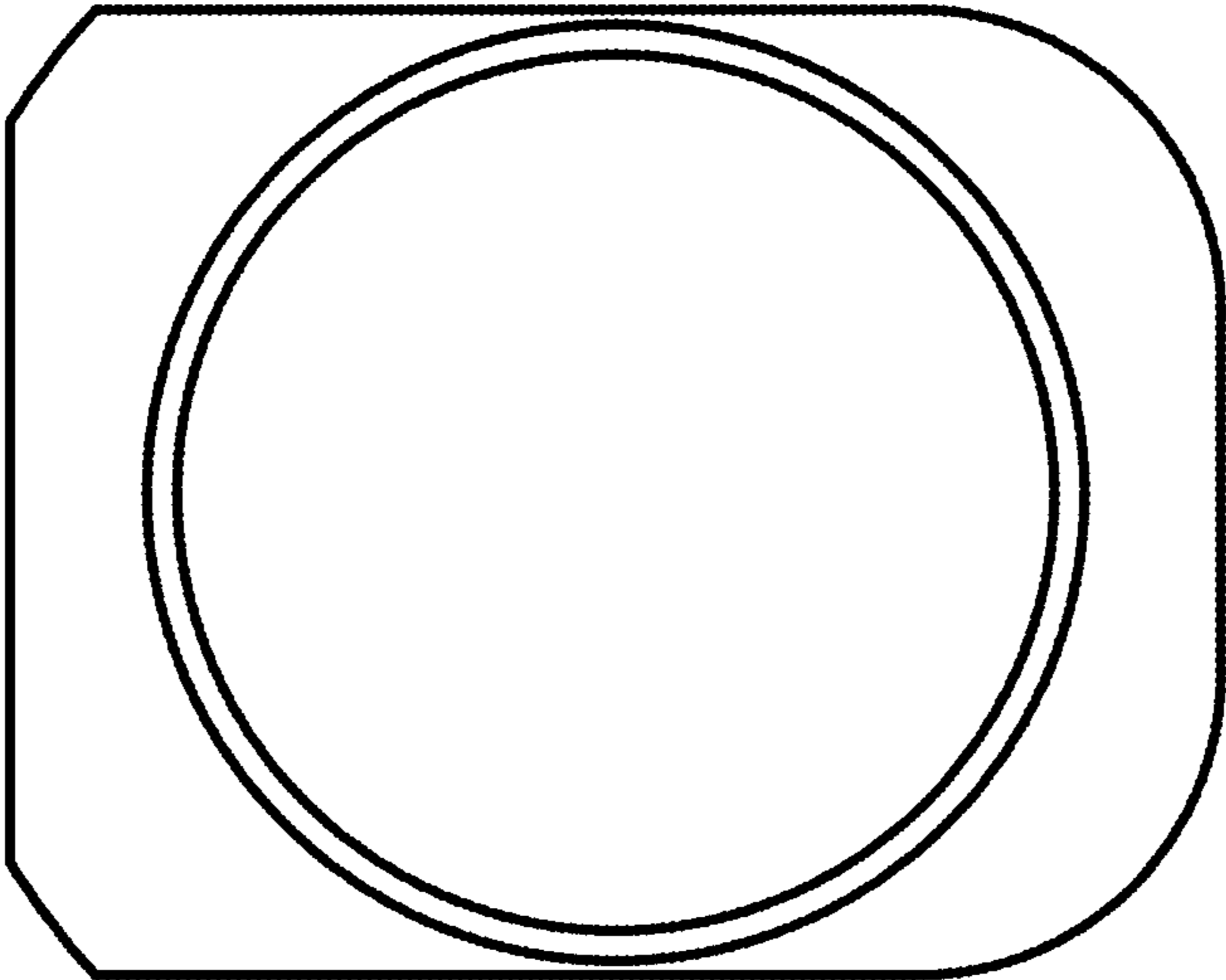


FIG. 2

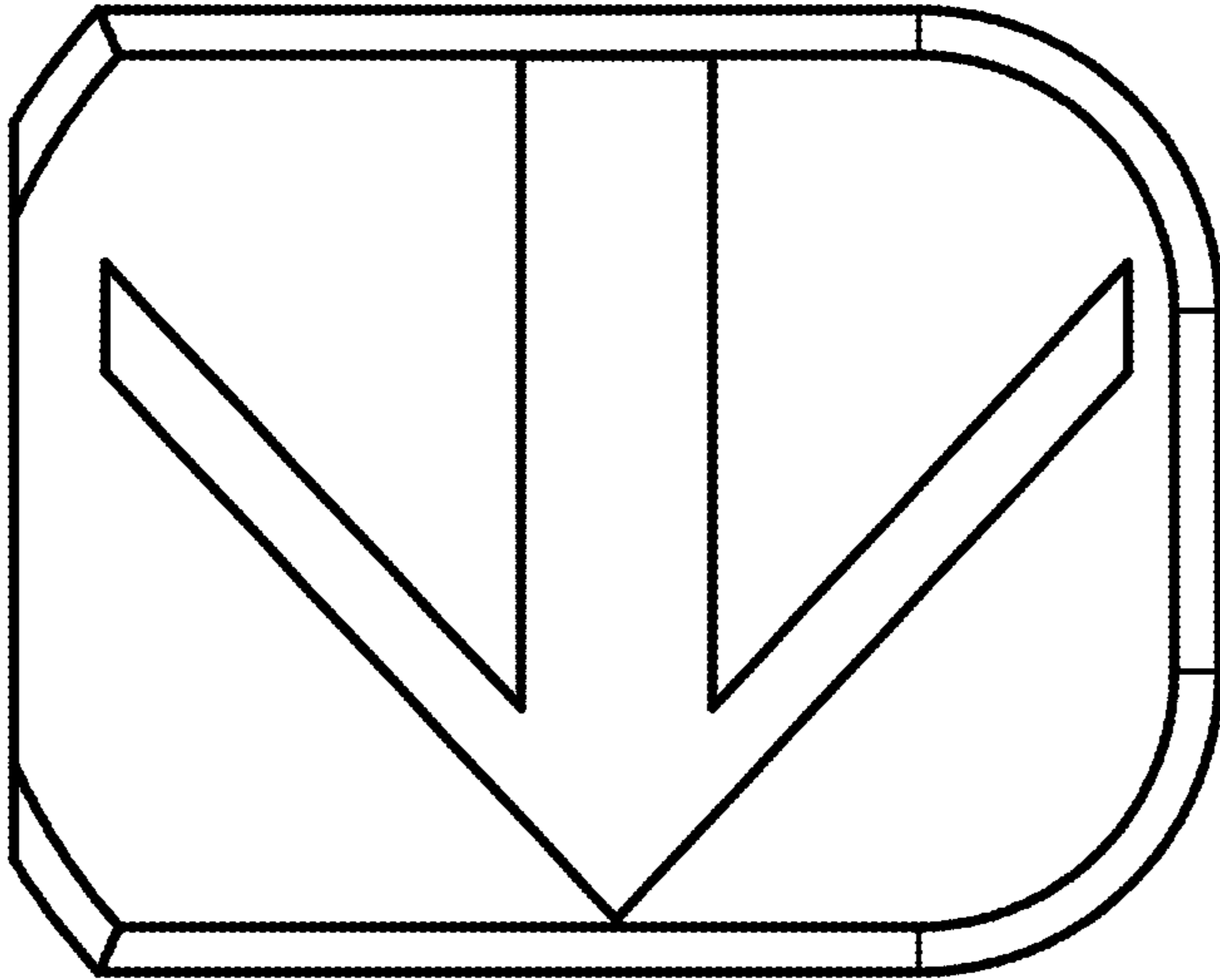


FIG. 3

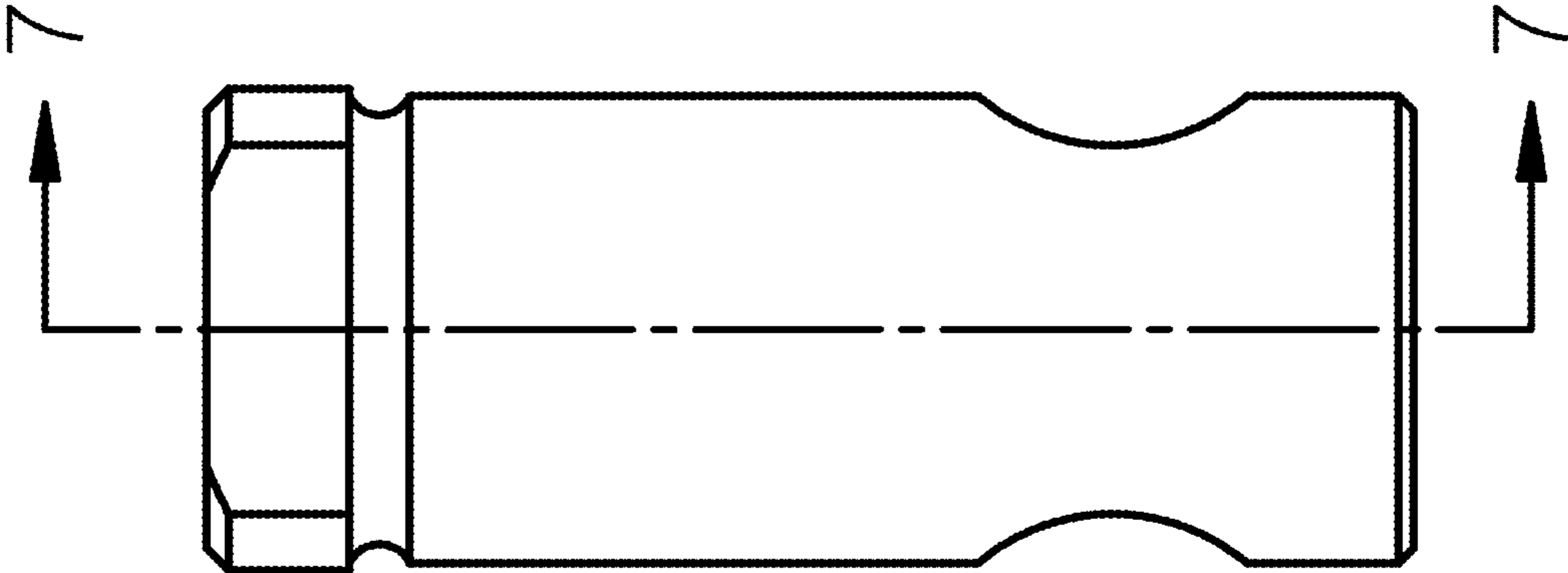


FIG. 4

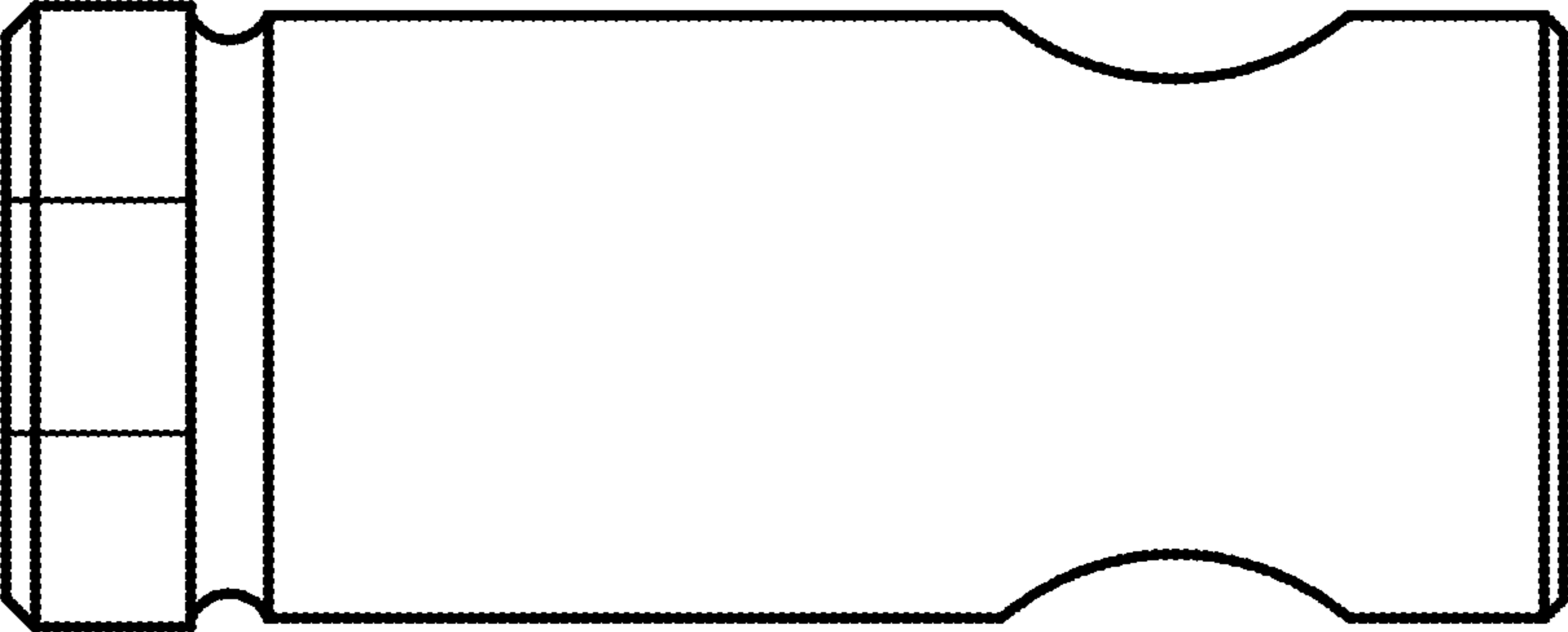


FIG. 5

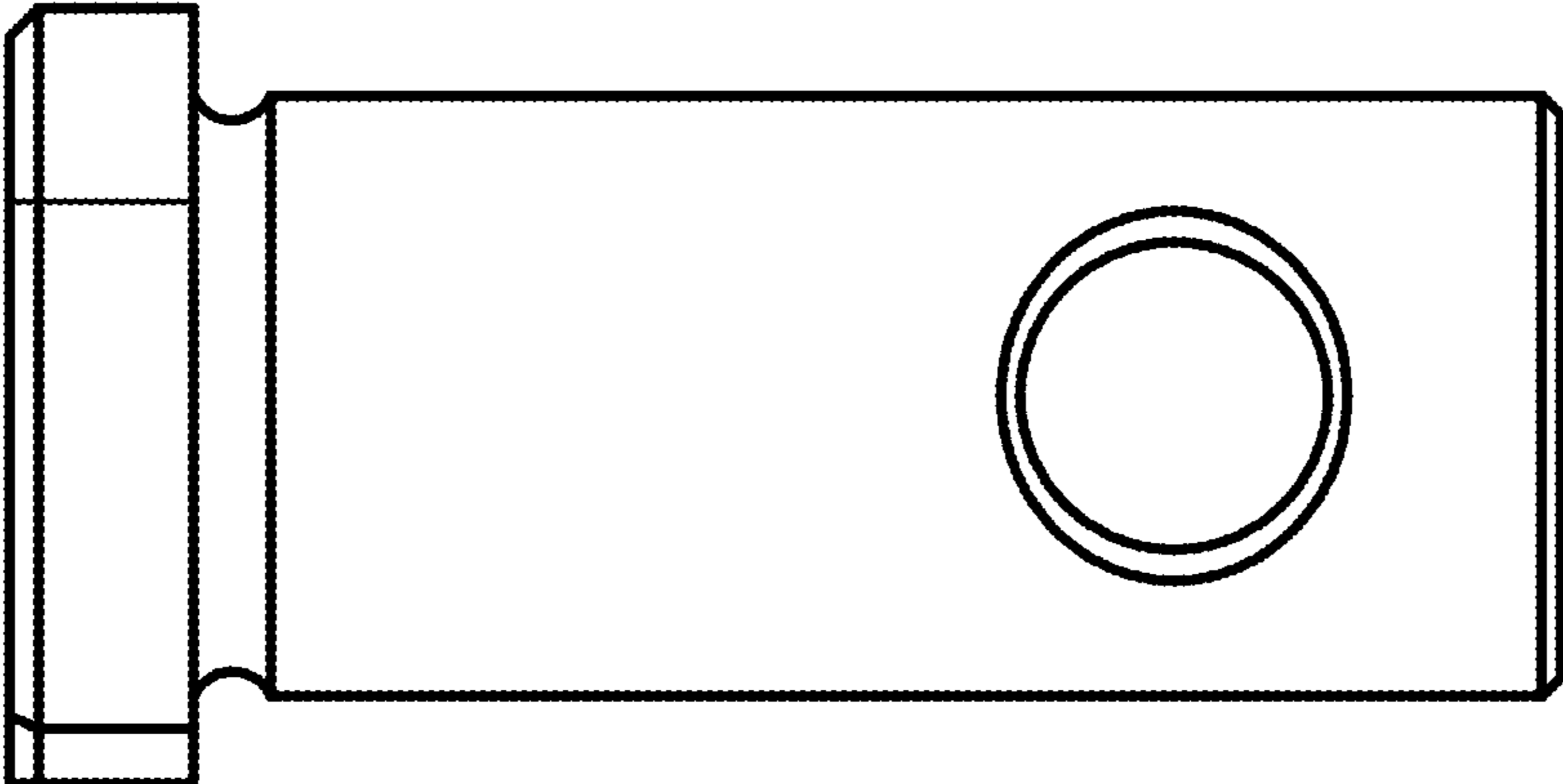


FIG. 6

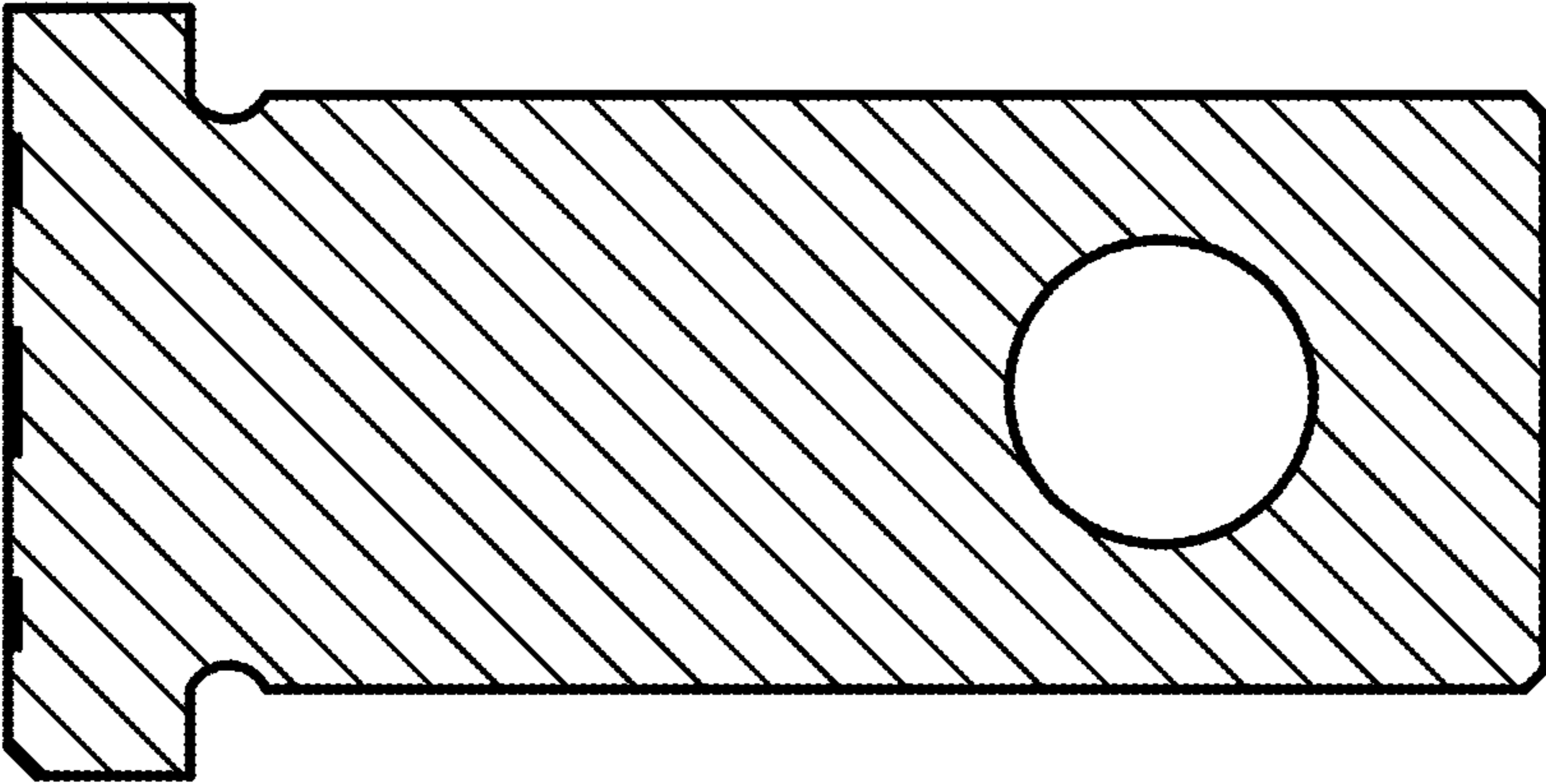


FIG. 7



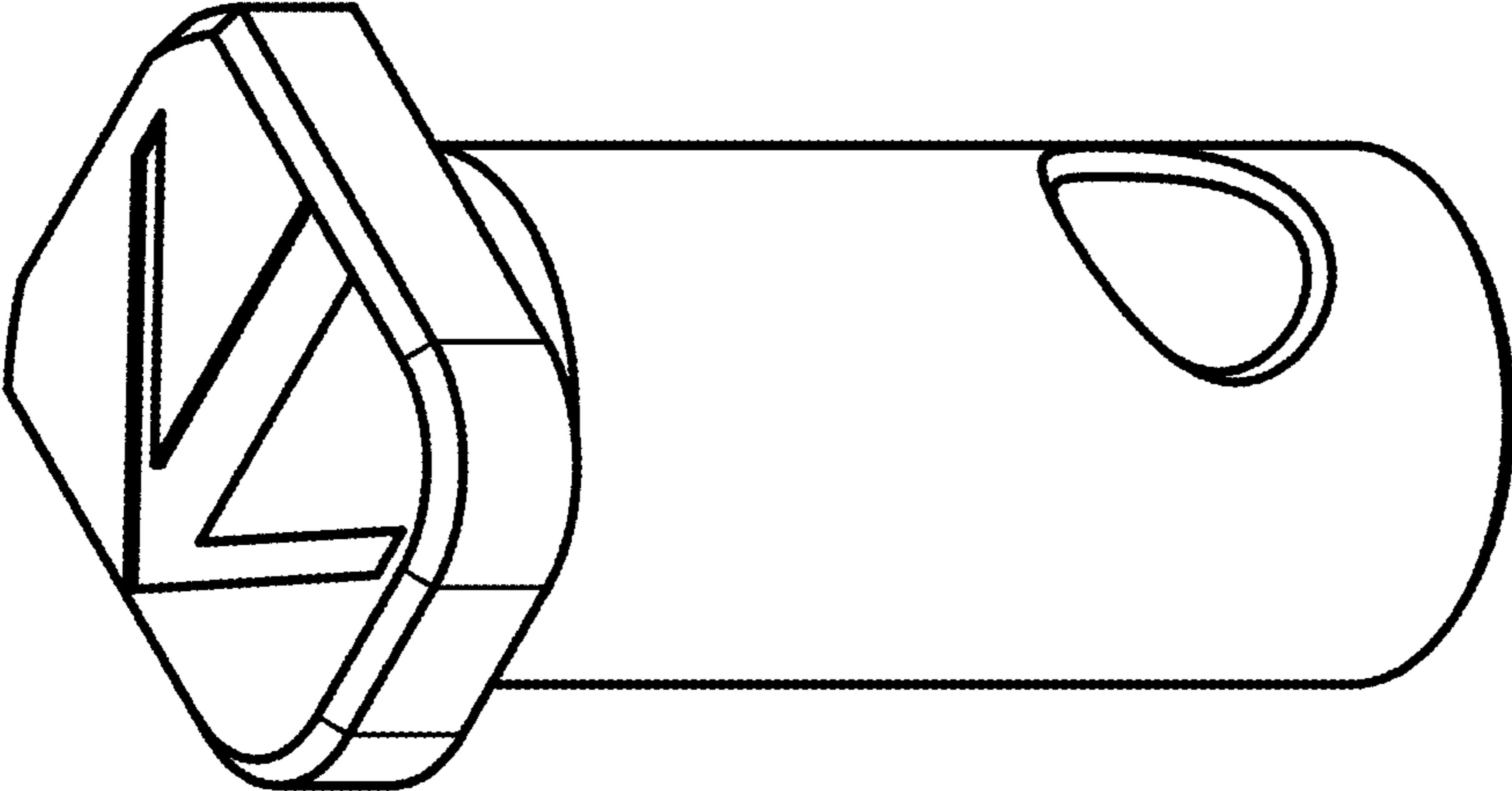


FIG. 8

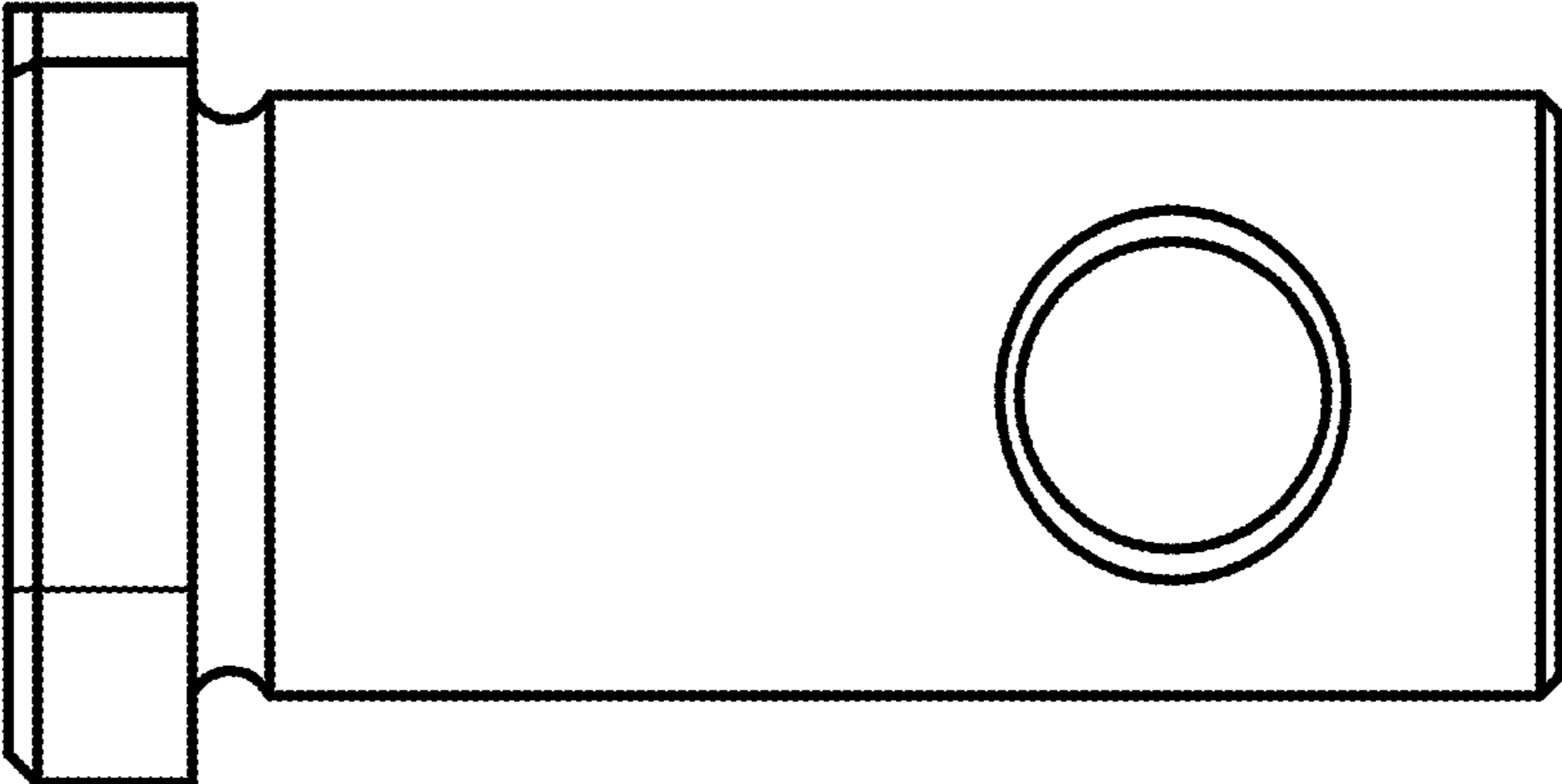


FIG. 9