



US00D898154S

(12) **United States Design Patent**
Chang et al.

(10) **Patent No.:** **US D898,154 S**

(45) **Date of Patent:** **** Oct. 6, 2020**

- (54) **CHARGING HANDLE**
- (71) Applicants: **Chia-Jung Chang**, Taipei (TW);
Xuan-Zun Liao, Taipei (TW)
- (72) Inventors: **Chia-Jung Chang**, Taipei (TW);
Xuan-Zun Liao, Taipei (TW)
- (**) Term: **15 Years**
- (21) Appl. No.: **29/685,877**
- (22) Filed: **Apr. 1, 2019**
- (51) **LOC (12) Cl.** **22-01**
- (52) **U.S. Cl.**
USPC **D22/108**
- (58) **Field of Classification Search**
USPC D22/108
CPC F41A 3/72; F41A 3/66; F41A 3/42
See application file for complete search history.

- 4,860,478 A * 8/1989 Clayton F42B 39/02
42/71.01
- D705,383 S * 5/2014 Montes D22/108
- D757,877 S * 5/2016 Huang D22/108
- D762,804 S * 8/2016 Gardner D22/108
- D775,304 S * 12/2016 Jen D22/108
- 2012/0006188 A1* 1/2012 Kincel F41A 3/72
89/1.4
- 2012/0291612 A1* 11/2012 Kincel F41A 3/72
89/1.4
- 2014/0318356 A1* 10/2014 Cupps F41A 3/72
89/1.4
- 2018/0202732 A1* 7/2018 Gibbens F41A 3/66

* cited by examiner

Primary Examiner — Michael A. Pratt

(74) *Attorney, Agent, or Firm* — Thomas J. Nikolai;
DeWitt LLP

(57) **CLAIM**

The ornamental design for a charging handle, as shown and described.

(56) **References Cited**

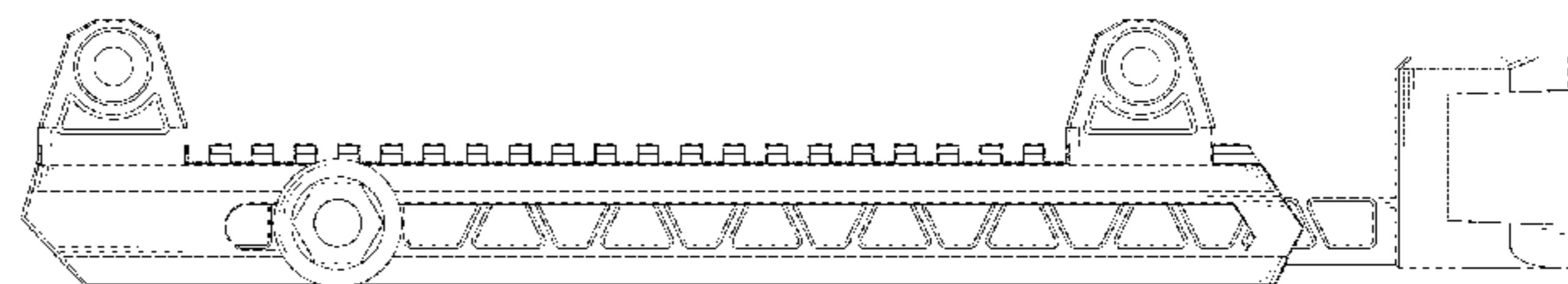
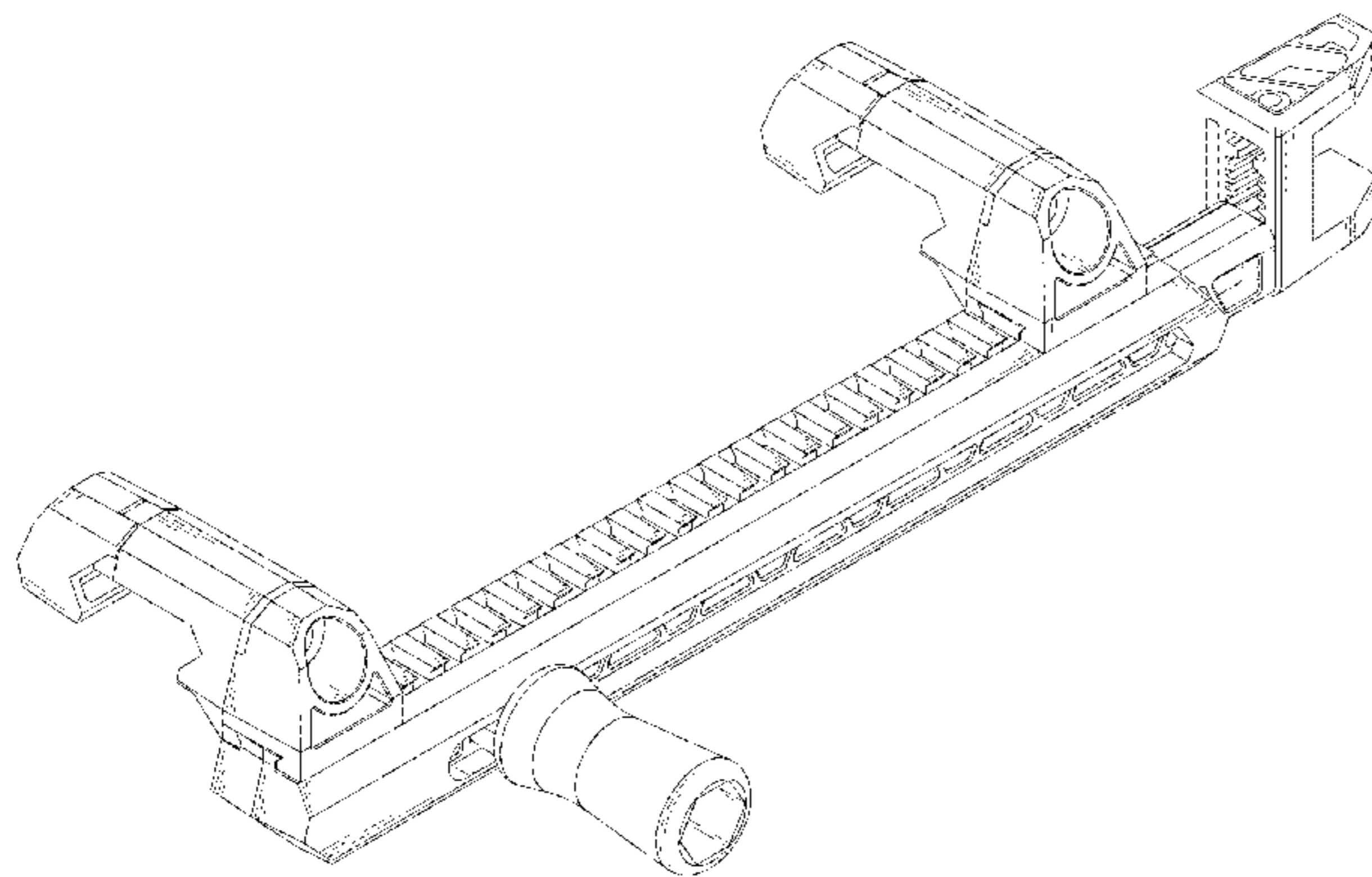
U.S. PATENT DOCUMENTS

- 1,781,816 A * 11/1930 Jovino F42B 39/02
224/223
- 2,215,726 A * 9/1940 Masterton-Smith F41A 9/85
42/89
- 2,889,974 A * 6/1959 Sauvago F42B 39/26
206/3
- 3,702,671 A * 11/1972 Cirillo F42B 39/02
224/242
- 4,773,576 A * 9/1988 Moravek F41C 23/22
224/191

DESCRIPTION

FIG. 1 is a perspective view of the charging handle;
FIG. 2 is a front elevation view thereof;
FIG. 3 is a rear elevation view thereof;
FIG. 4 is a left side elevation view thereof;
FIG. 5 is a right side elevation view thereof;
FIG. 6 is a top plan view thereof; and,
FIG. 7 is a bottom plan view thereof.

1 Claim, 7 Drawing Sheets



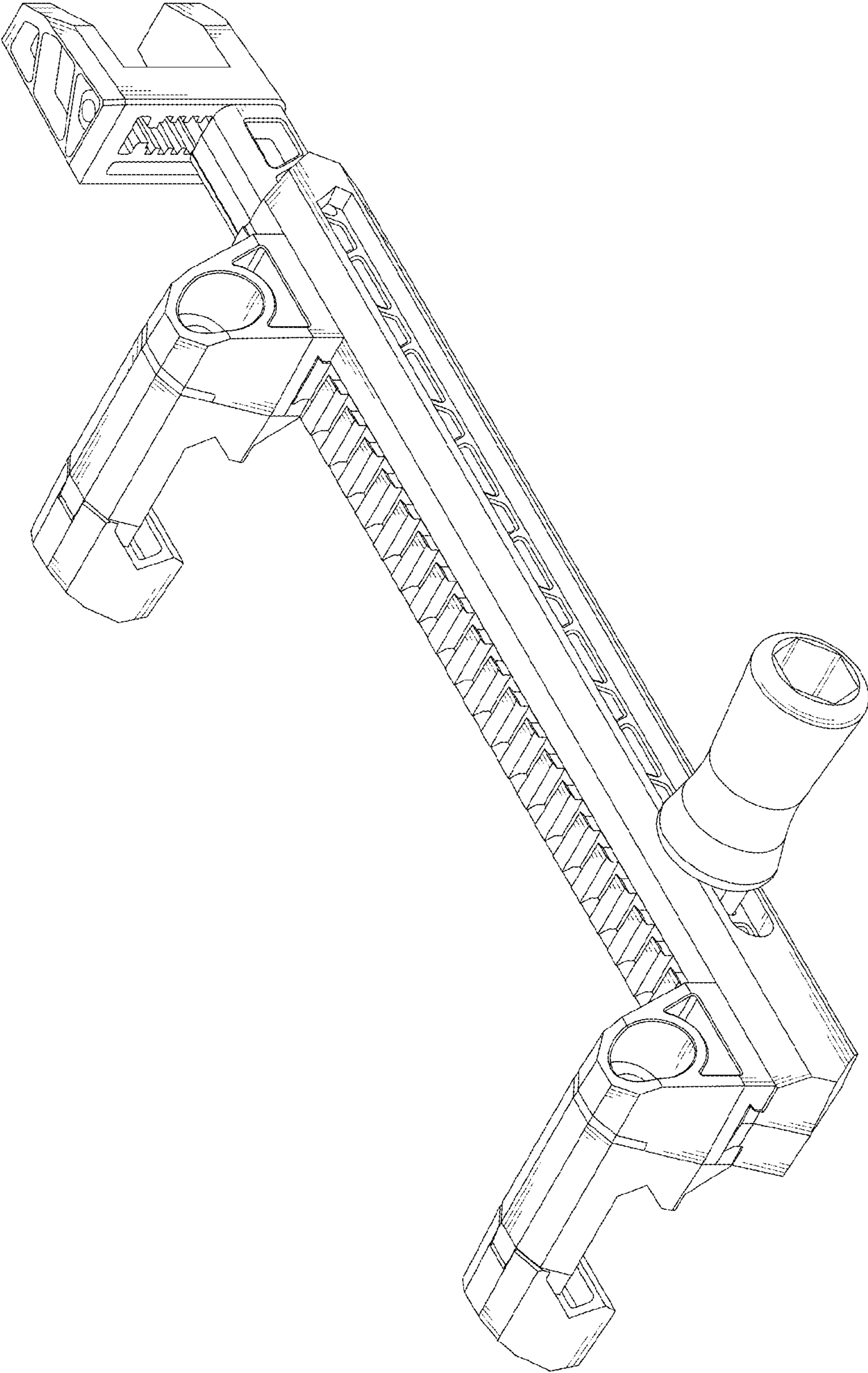


FIG.1

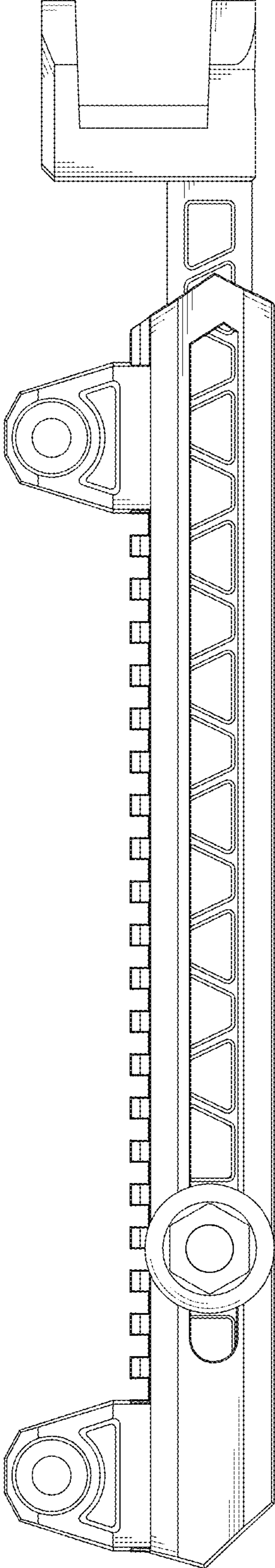


FIG. 2

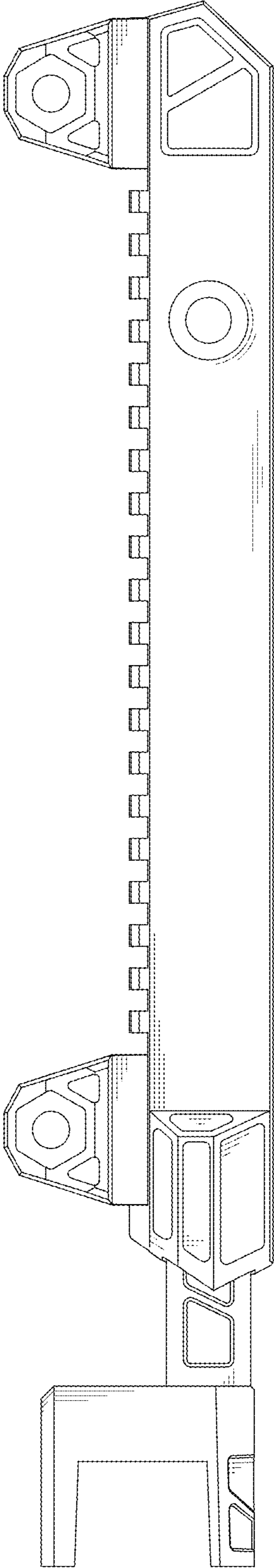


FIG.3

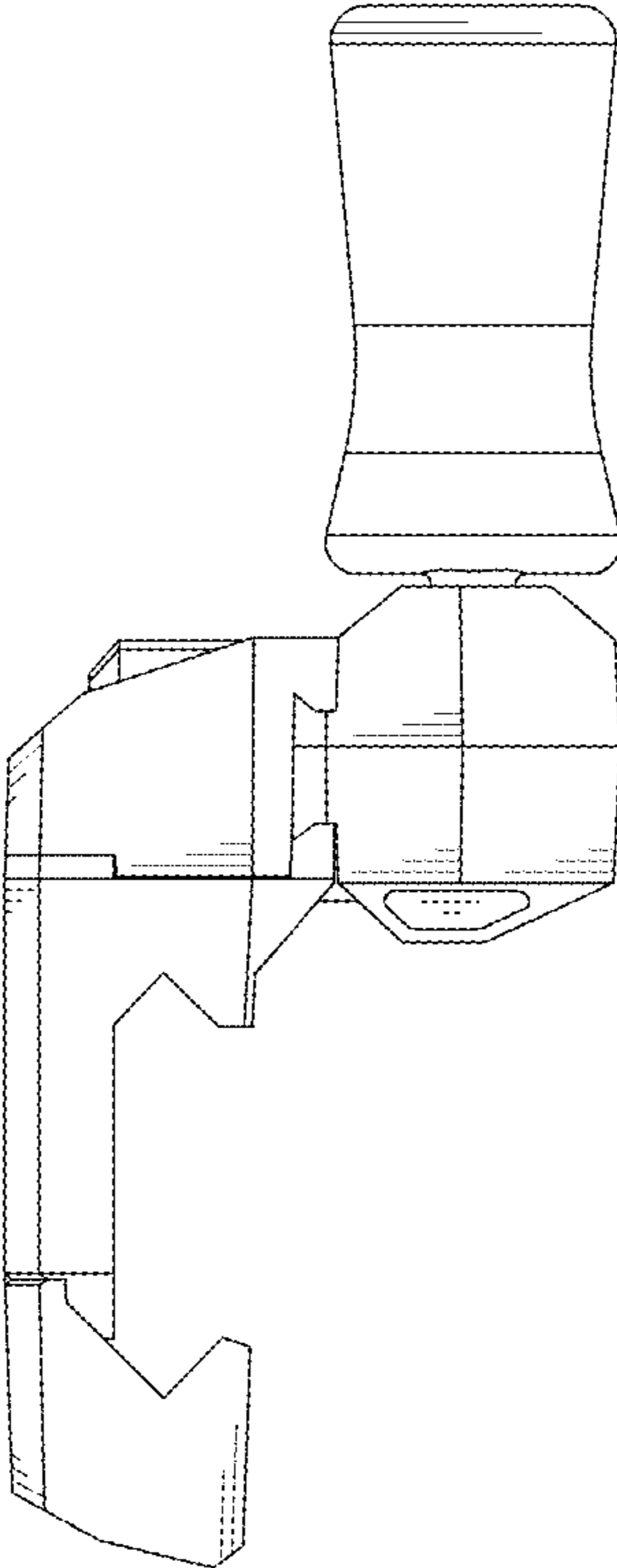


FIG.4

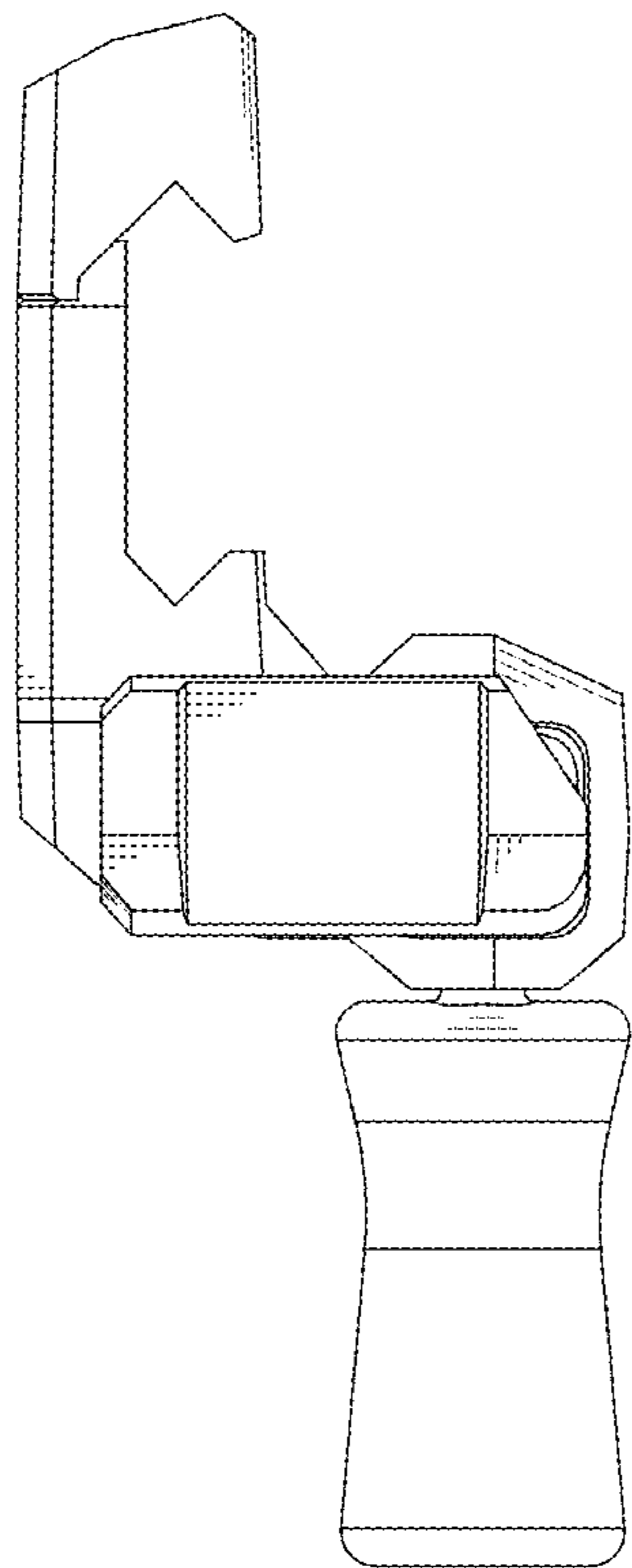


FIG.5

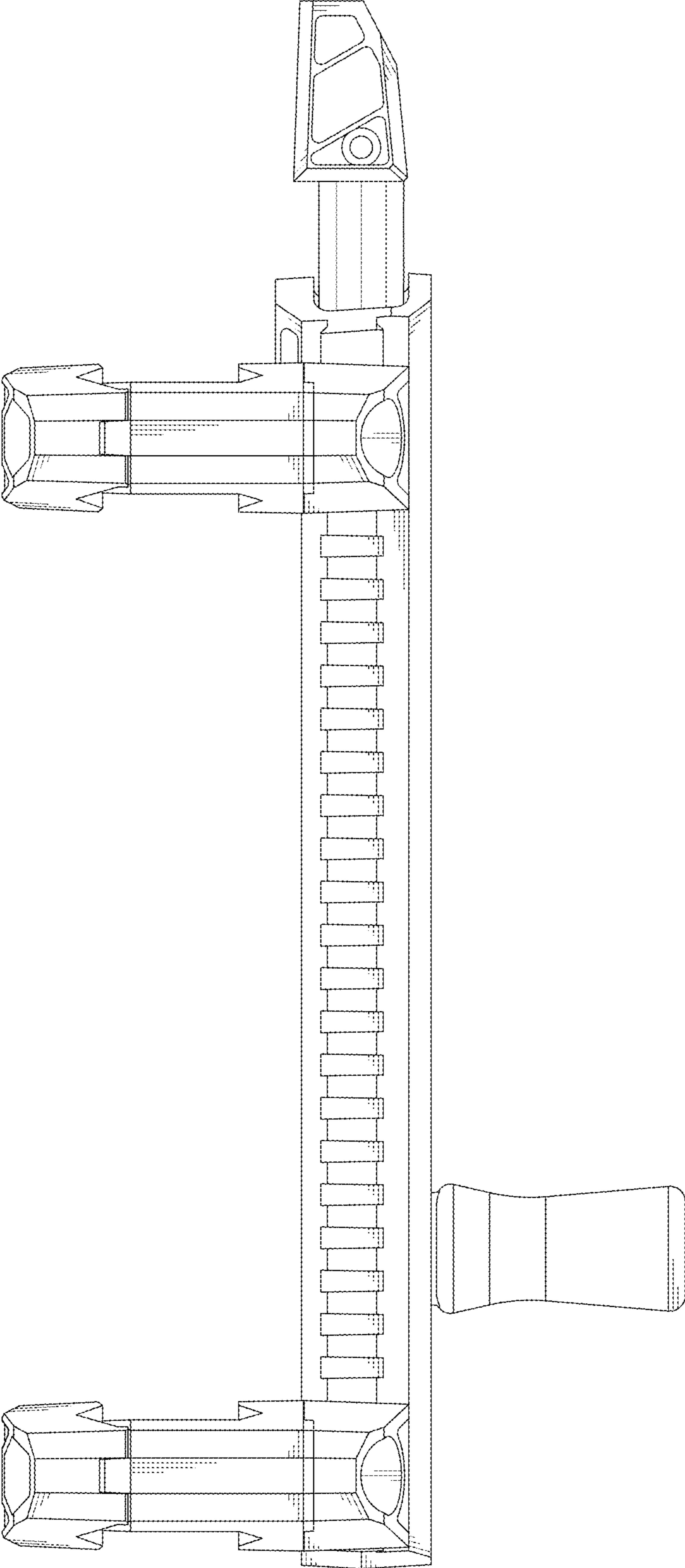


FIG.6

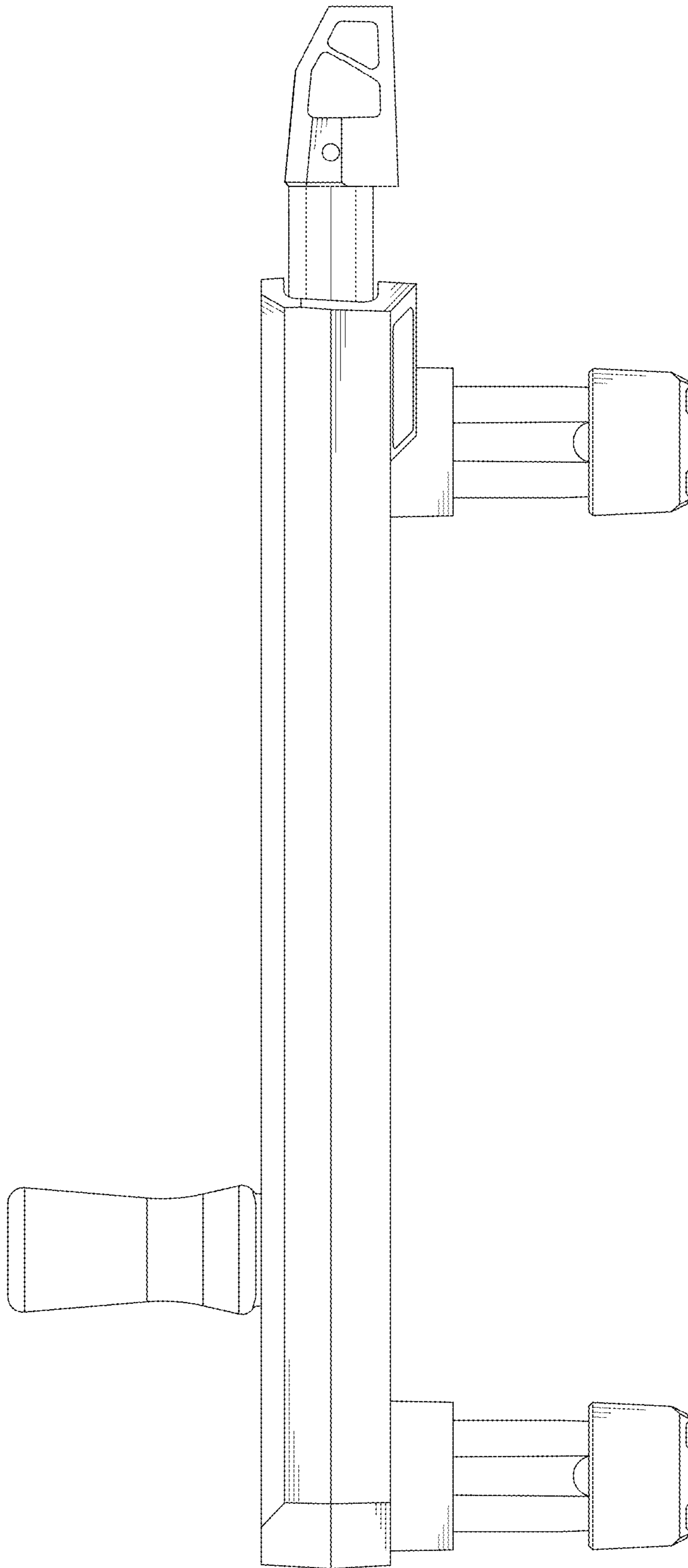


FIG.7