



US00D898152S

(12) **United States Design Patent**
Samson et al.

(10) **Patent No.:** **US D898,152 S**

(45) **Date of Patent:** **** Oct. 6, 2020**

(54) **FIREARM SUPPORT BRACE**

(71) Applicant: **Samson Manufacturing Corp.**, Keene, NH (US)

(72) Inventors: **Scott Samson**, Spofford, NH (US);
Krzysztof Muskus, Keene, NH (US)

(73) Assignee: **Samson Manufacturing Corporation**, Keene, NH (US)

(**) Term: **15 Years**

(21) Appl. No.: **29/667,847**

(22) Filed: **Oct. 25, 2018**

(51) **LOC (12) Cl.** **22-01**

(52) **U.S. Cl.**
USPC **D22/108**

(58) **Field of Classification Search**
USPC D22/108; D21/572-575
CPC F41C 23/04; F41C 23/14; F41C 23/06;
F41C 23/22; F41C 33/007
See application file for complete search history.

(56) **References Cited**

U.S. PATENT DOCUMENTS

D722,672 S * 2/2015 Juarez D22/108
D733,247 S * 6/2015 Lewis D22/108

D763,396 S * 8/2016 Juarez D22/108
D774,619 S * 12/2016 Mather D22/108
D868,924 S * 12/2019 Nuss D22/108
D871,536 S * 12/2019 Lessard D22/108
2016/0187092 A1* 6/2016 Mather F41A 19/10
42/69.02
2016/0202016 A1* 7/2016 Mather F41C 23/14
42/73

* cited by examiner

Primary Examiner — Michael A. Pratt

(74) *Attorney, Agent, or Firm* — Burns & Levinson LLP;
Bruce D. Jobse

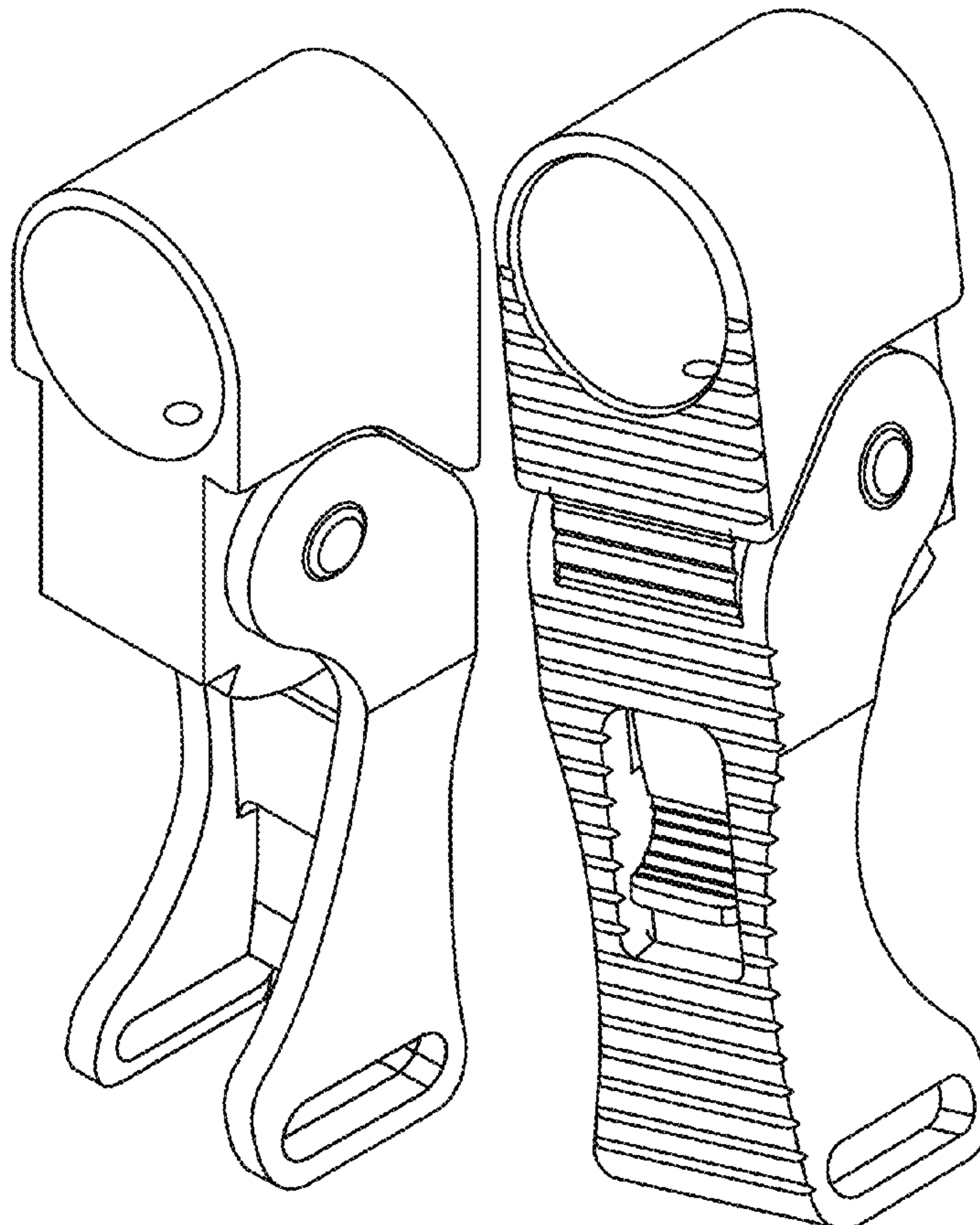
(57) **CLAIM**

The ornamental design for a firearm support brace, as shown and described.

DESCRIPTION

FIG. 1 is a top/front/left side view of the firearm support brace of our invention;
FIG. 2 is a top/rear/right side view of the firearm support brace;
FIG. 3 is a rear view of the firearm support brace;
FIG. 4 is a right side view of the firearm support brace, the left side view being a mirror image thereof;
FIG. 5 is a top view of the firearm support brace; and,
FIG. 6 is a bottom view of the firearm support brace.

1 Claim, 5 Drawing Sheets



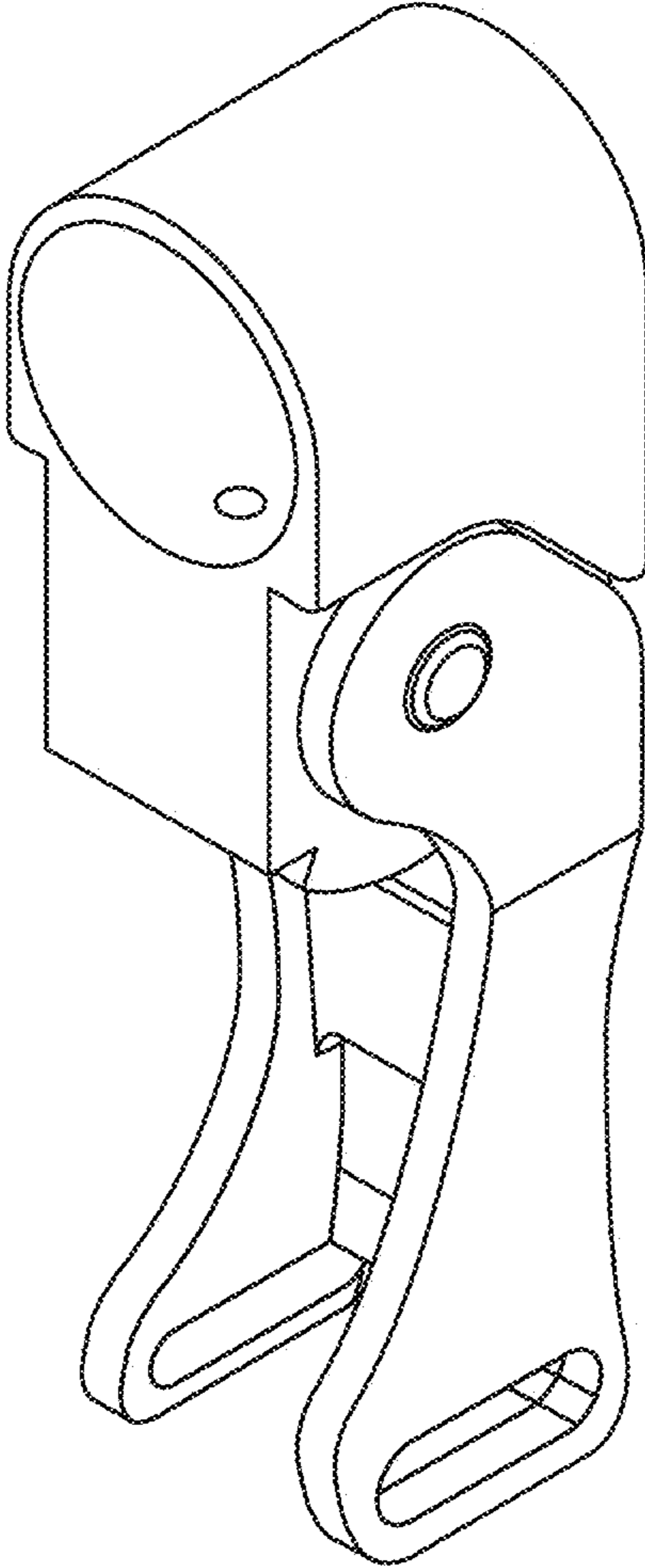


FIG. 1

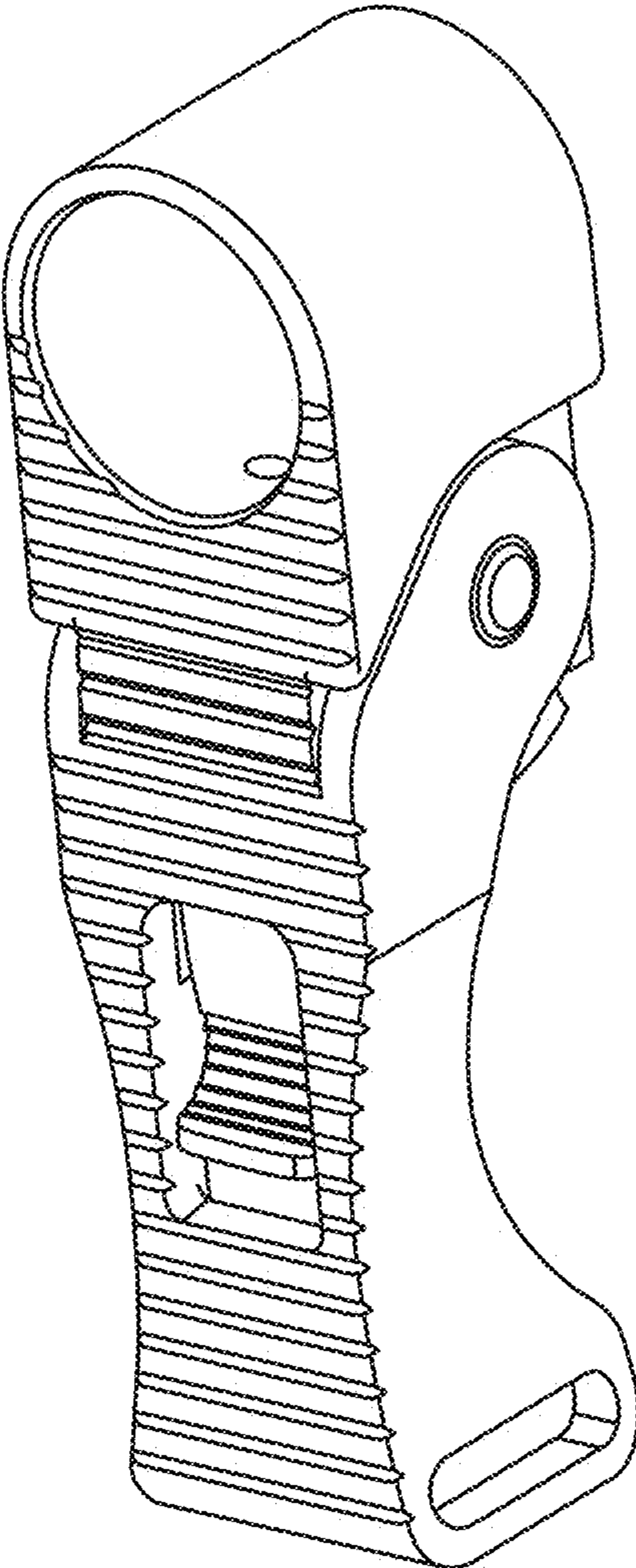


FIG. 2

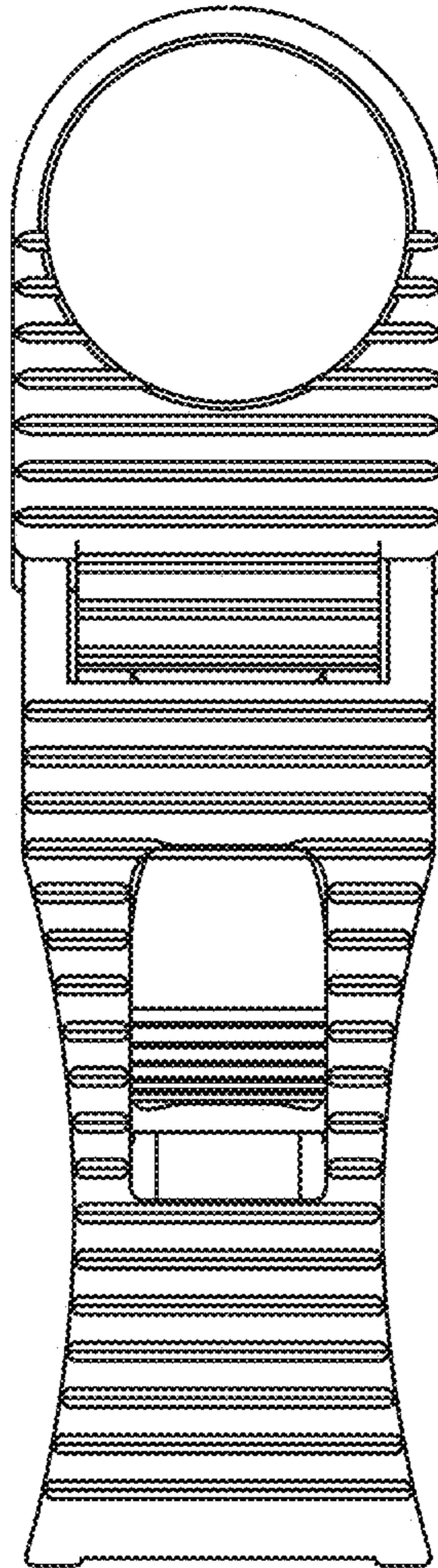


FIG. 3

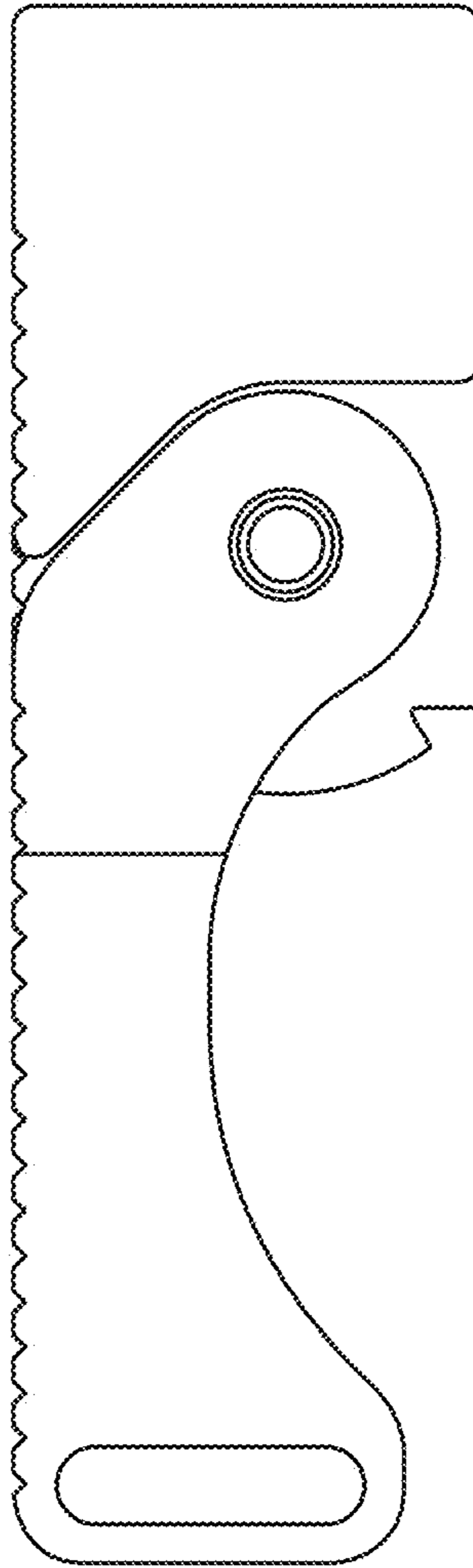


FIG. 4

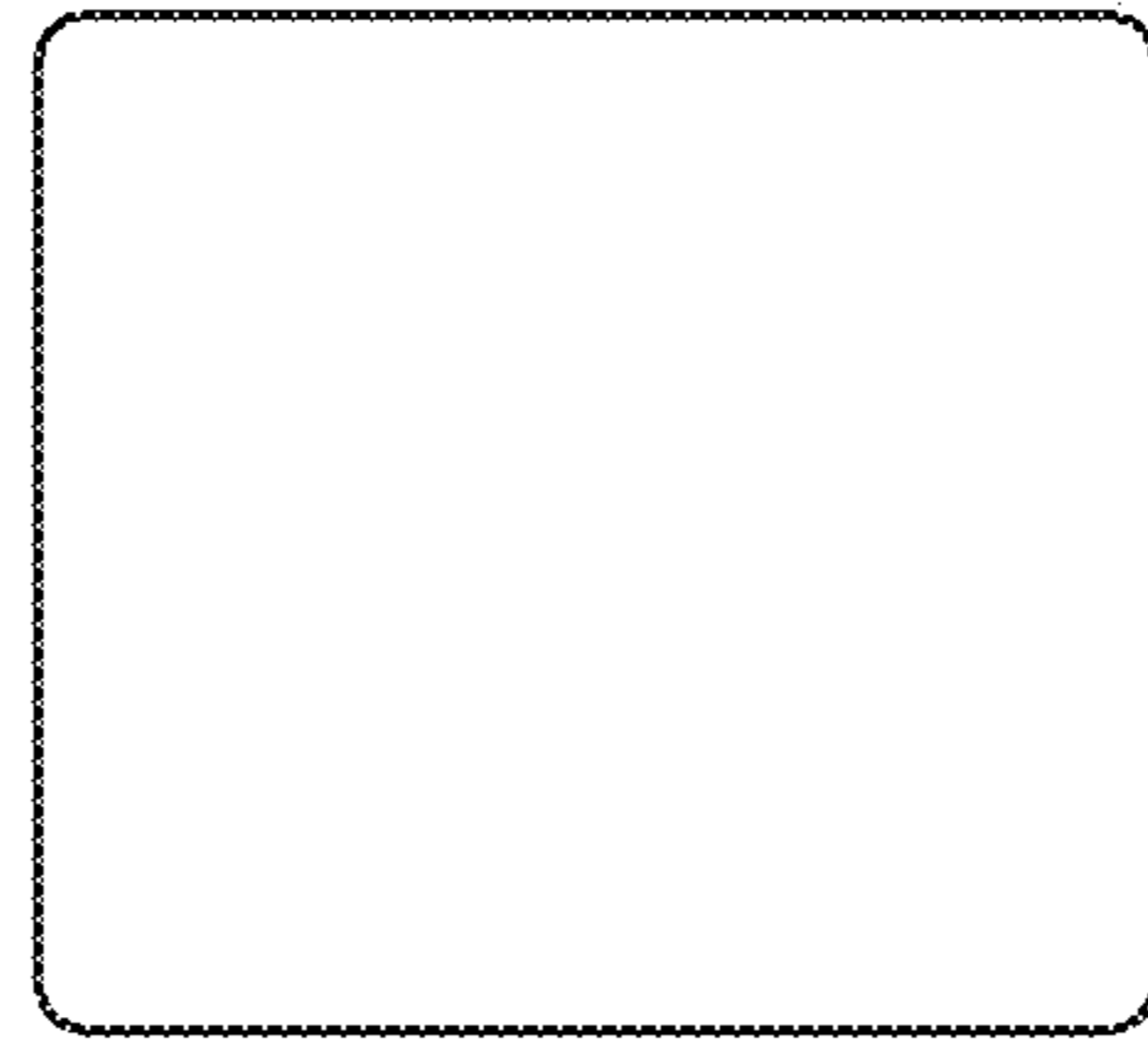


FIG. 5

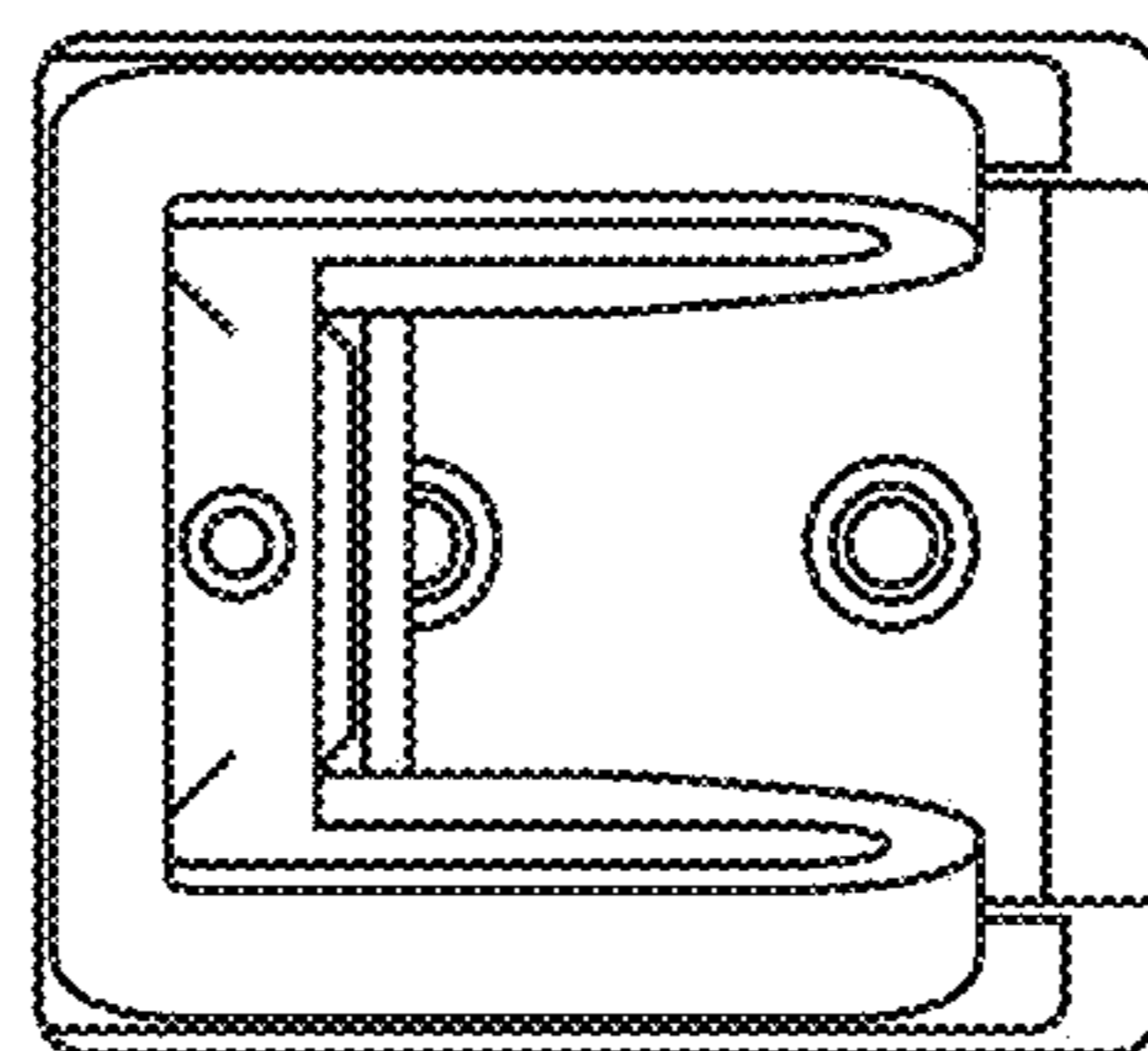


FIG. 6