



US00D898151S

(12) **United States Design Patent**
Rawal

(10) **Patent No.:** **US D898,151 S**

(45) **Date of Patent:** **** Oct. 6, 2020**

- (54) **FLIGHT SIMULATOR**
- (71) Applicant: **Niraj Ashok Rawal**, Hicksville, NY
(US)
- (72) Inventor: **Niraj Ashok Rawal**, Hicksville, NY
(US)
- (**) Term: **15 Years**
- (21) Appl. No.: **29/674,807**
- (22) Filed: **Dec. 26, 2018**
- (51) **LOC (12) Cl.** **21-03**
- (52) **U.S. Cl.**
USPC **D21/814; D21/828**
- (58) **Field of Classification Search**
USPC D21/811, 814, 828-833; D19/63;
D12/319
CPC G09B 9/00-9/30; A63G 31/00-31/16
See application file for complete search history.

- 5,071,352 A * 12/1991 Denne G09B 9/14
434/29
- 5,316,480 A * 5/1994 Ellsworth A63G 31/16
434/29
- 5,551,920 A * 9/1996 Ogden A63G 31/16
434/55
- 5,558,582 A * 9/1996 Swensen A63G 31/16
472/43
- 5,632,622 A * 5/1997 Bothwell G09B 9/003
434/29
- D387,122 S * 12/1997 Horstmann D21/833
- 5,873,726 A * 2/1999 Gillbe G09B 9/326
434/29
- D417,480 S * 12/1999 Collins D21/811
- 6,017,276 A * 1/2000 Elson A63G 31/16
434/29
- D428,957 S * 8/2000 Harper D21/811
(Continued)

Primary Examiner — Mitchell I. Siegel

(57) **CLAIM**

I claim the ornamental design for a flight simulator, substantially as shown and described.

DESCRIPTION

FIG. **01** is a front perspective view of the flight simulator in accordance with the present design.

FIG. **02** is a back perspective view of the flight simulator.

FIG. **03** is a front view of the flight simulator.

FIG. **04** is a back view of the flight simulator.

FIG. **05** is a top view of the flight simulator.

FIG. **06** is a bottom view of the flight simulator.

FIG. **07** is a left view of the flight simulator.

FIG. **08** is a right view of the flight simulator.

The broken lines shown are included for the purpose of illustrating unclaimed subject matter and forms no part of the claimed design.

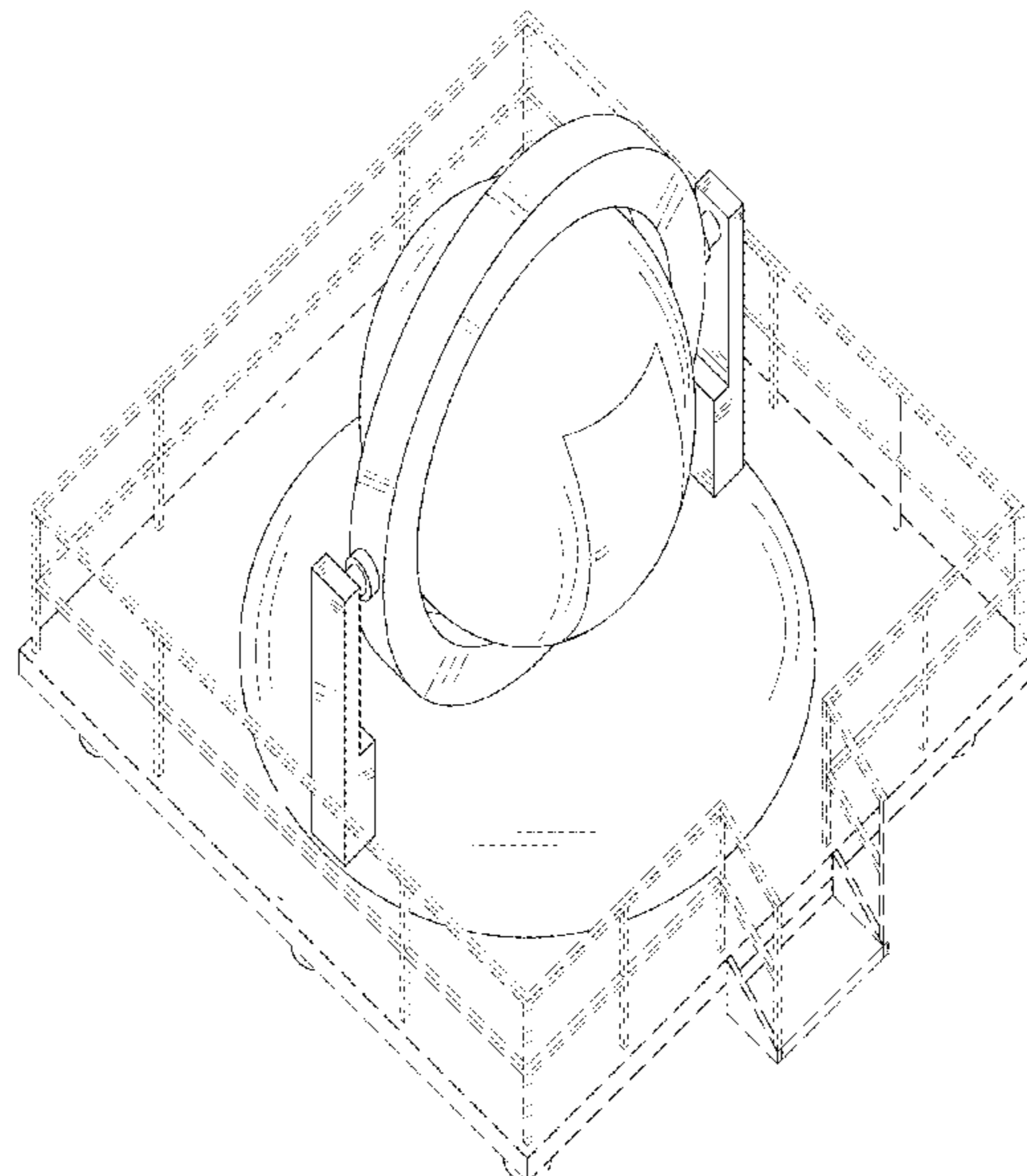
The main feature and design of this flight simulator is to allow full 360 degree rotation on all its 3 axis along with movement for Surge, Sway and Heave on those axis.

1 Claim, 8 Drawing Sheets

(56) **References Cited**

U.S. PATENT DOCUMENTS

- 1,340,570 A * 5/1920 Smith A63J 13/00
472/59
- 2,409,938 A * 10/1946 Hutter G09B 9/12
434/40
- D153,925 S * 5/1949 Dehmel D19/63
- 3,895,861 A * 7/1975 Herndon G02B 27/0101
352/69
- 4,251,140 A * 2/1981 Fogerty, Jr. G09B 9/05
352/132
- 4,280,285 A * 7/1981 Haas G06F 11/277
434/30
- 4,303,236 A * 12/1981 Czarnecki A63G 31/16
434/34
- 4,347,055 A * 8/1982 Geiger G09B 9/12
434/30
- 4,856,771 A * 8/1989 Nelson A63G 31/16
472/2



(56)

References Cited

U.S. PATENT DOCUMENTS

6,095,926 A * 8/2000 Hettema A63G 31/16
104/85
D440,621 S * 4/2001 Coleman D21/811

* cited by examiner

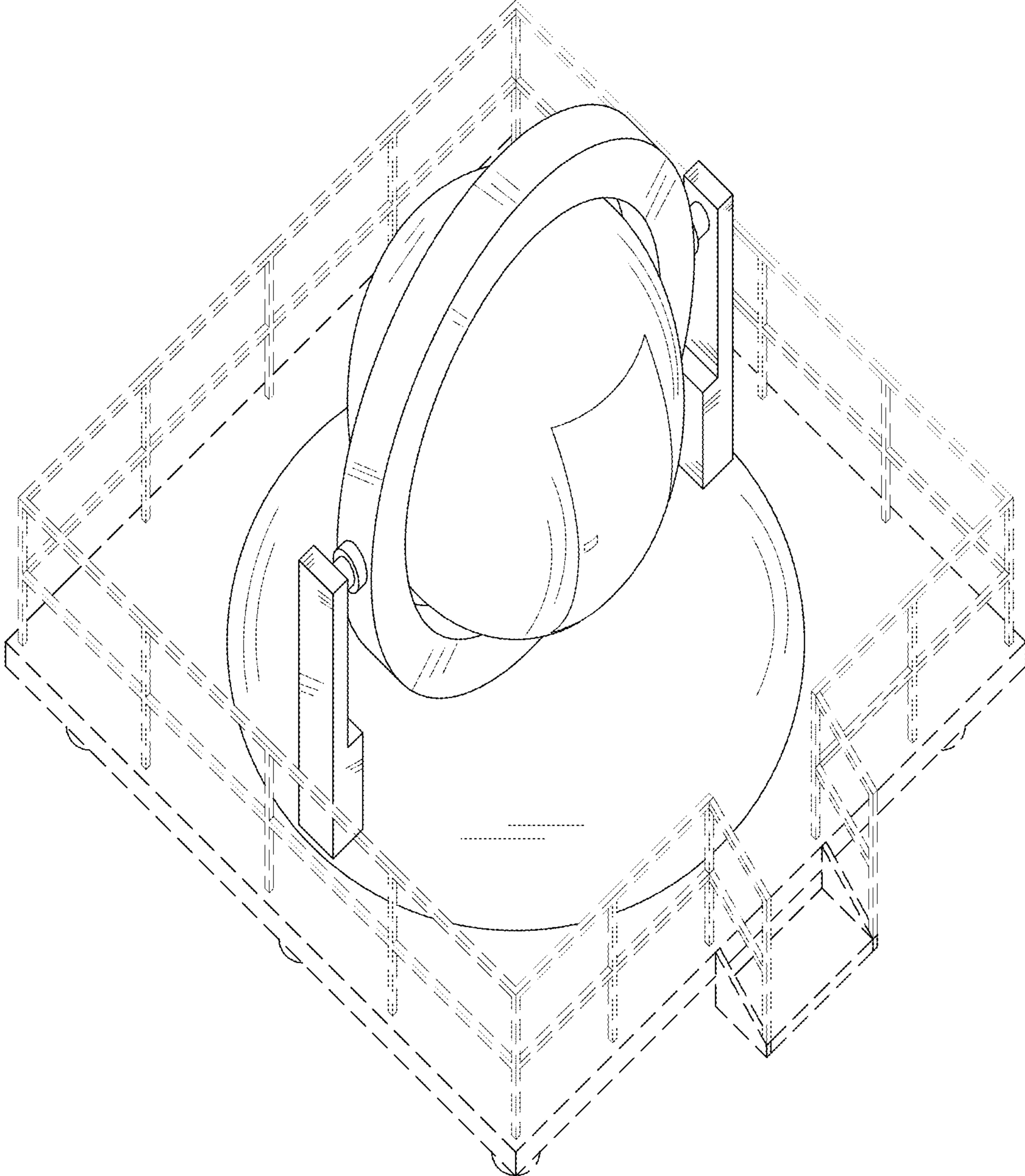


FIG. 01

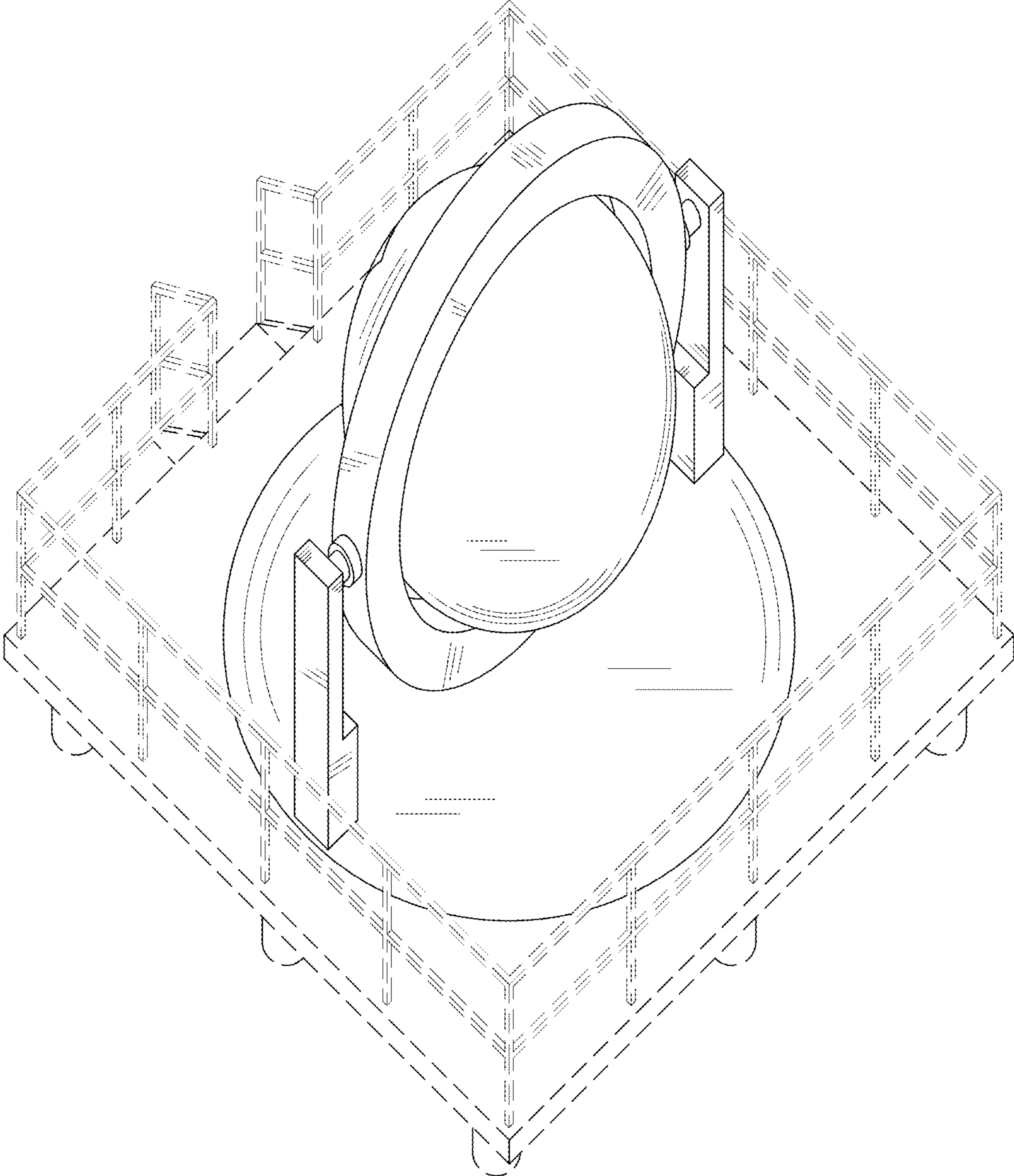


FIG. 02

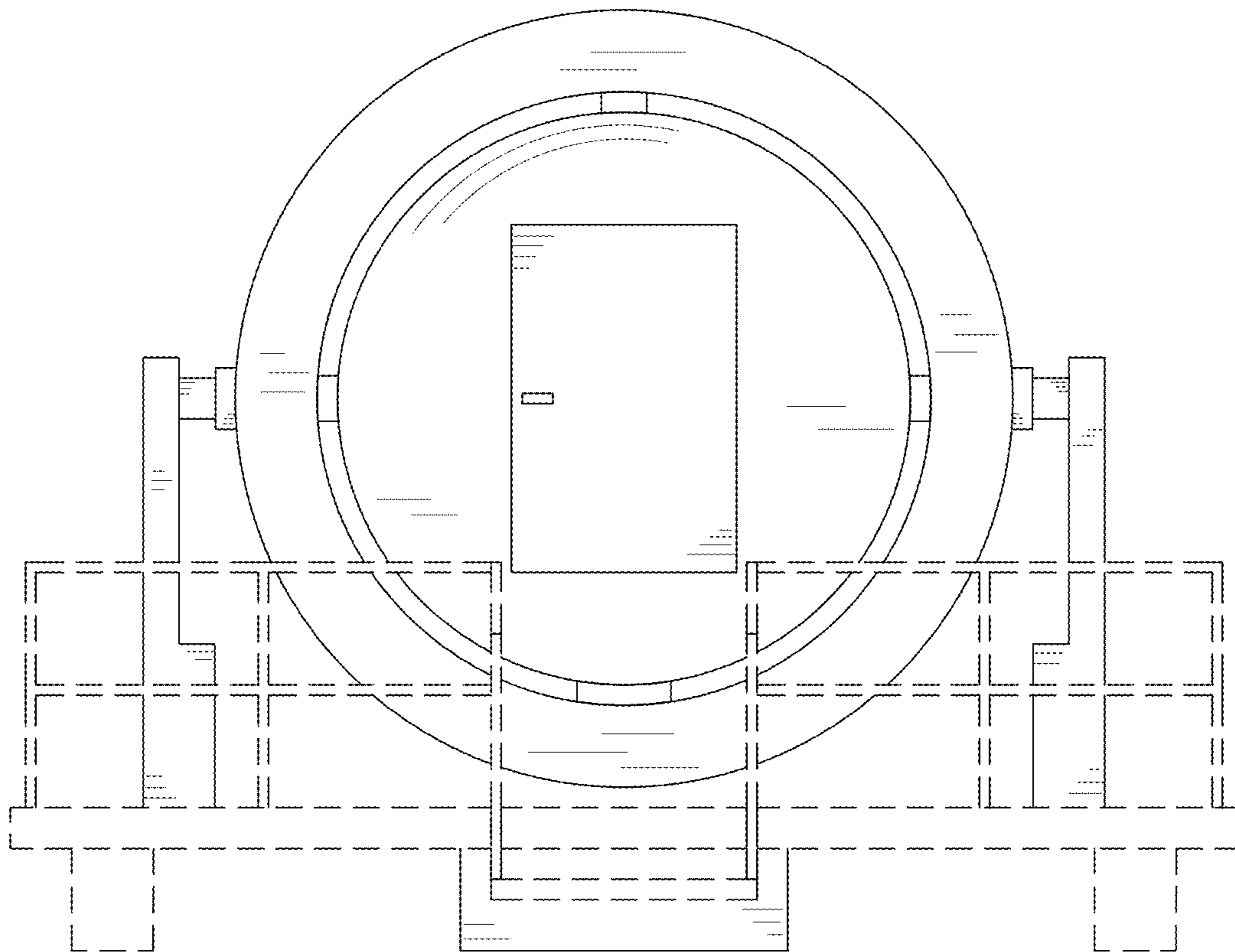


FIG. 03

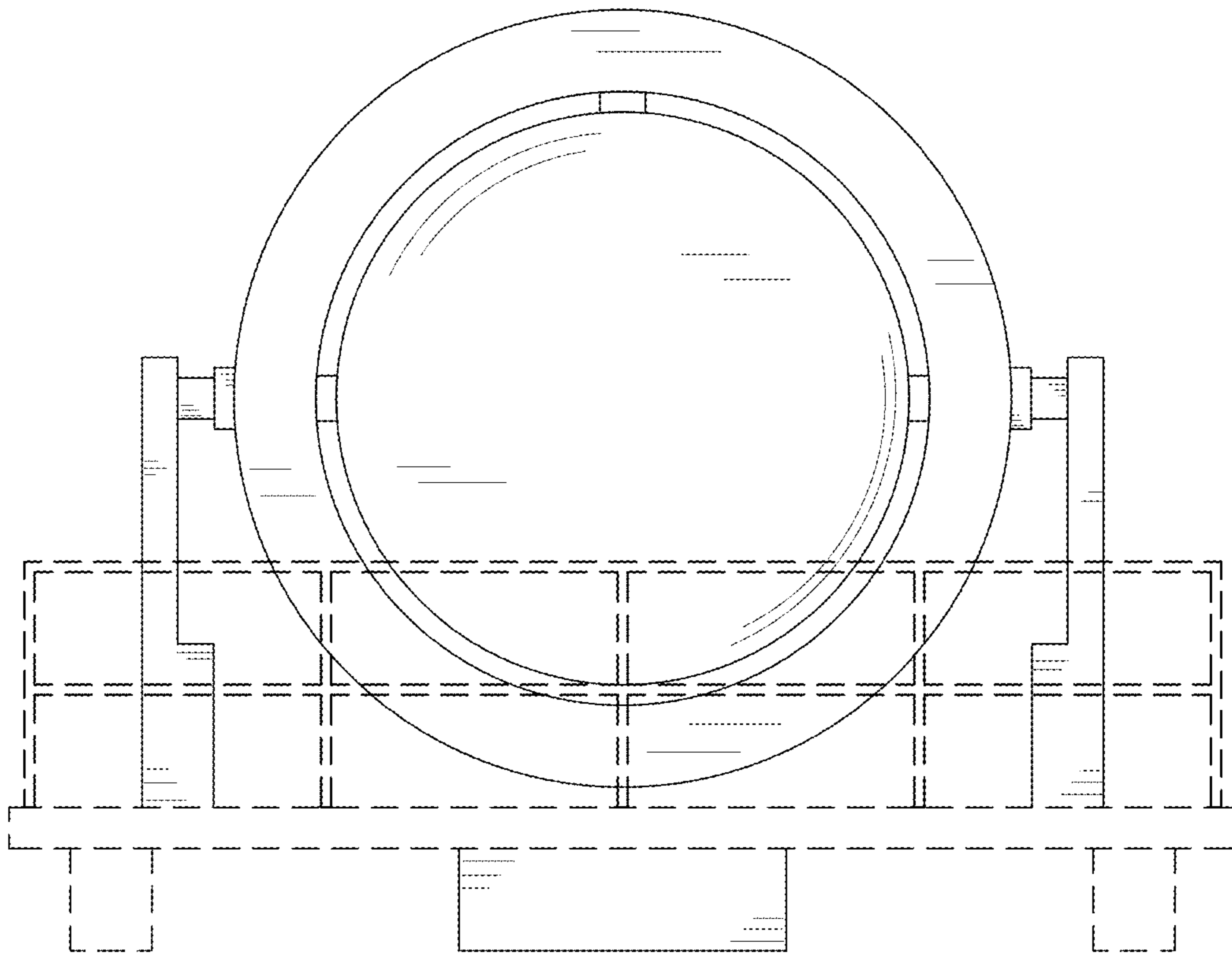


FIG. 04

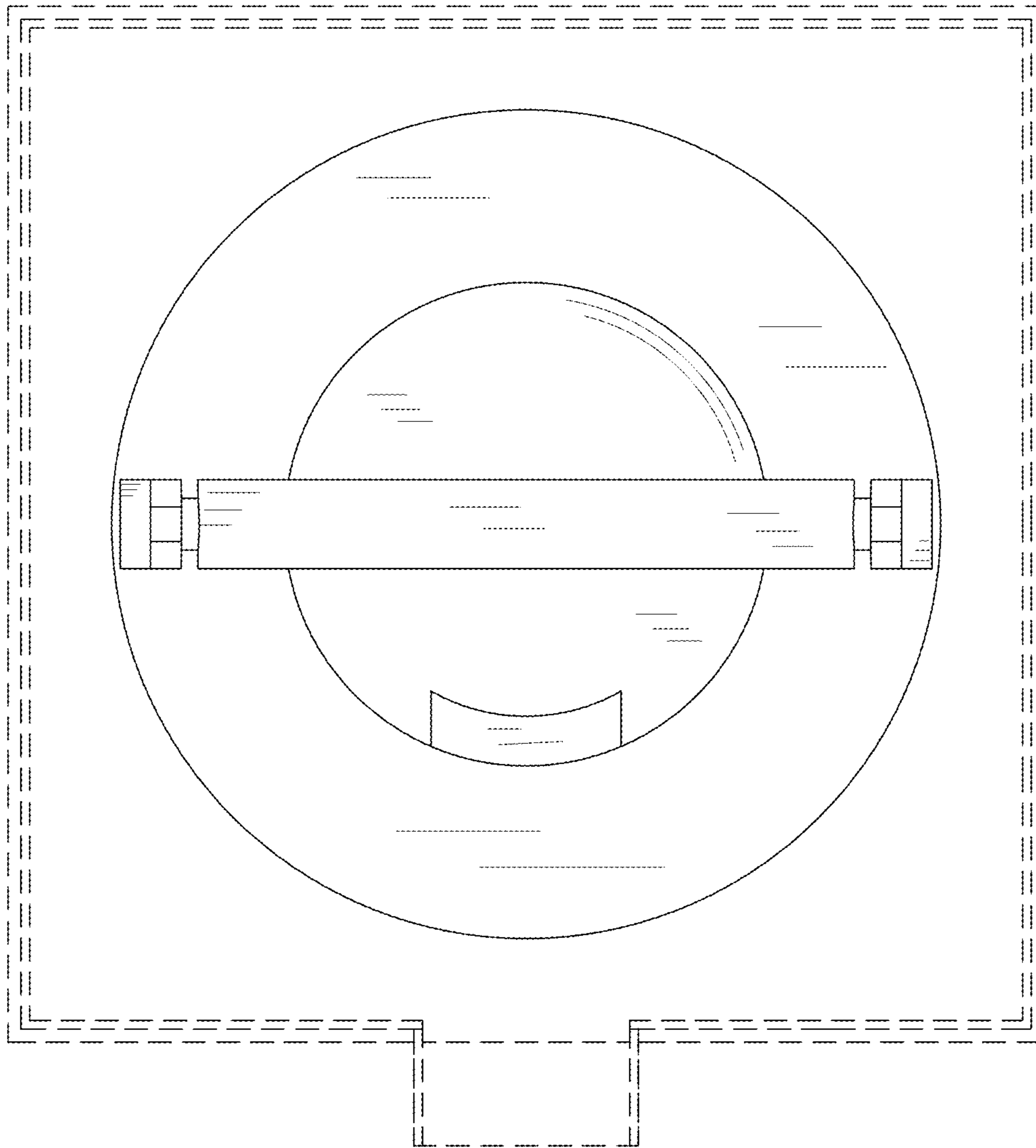


FIG. 05

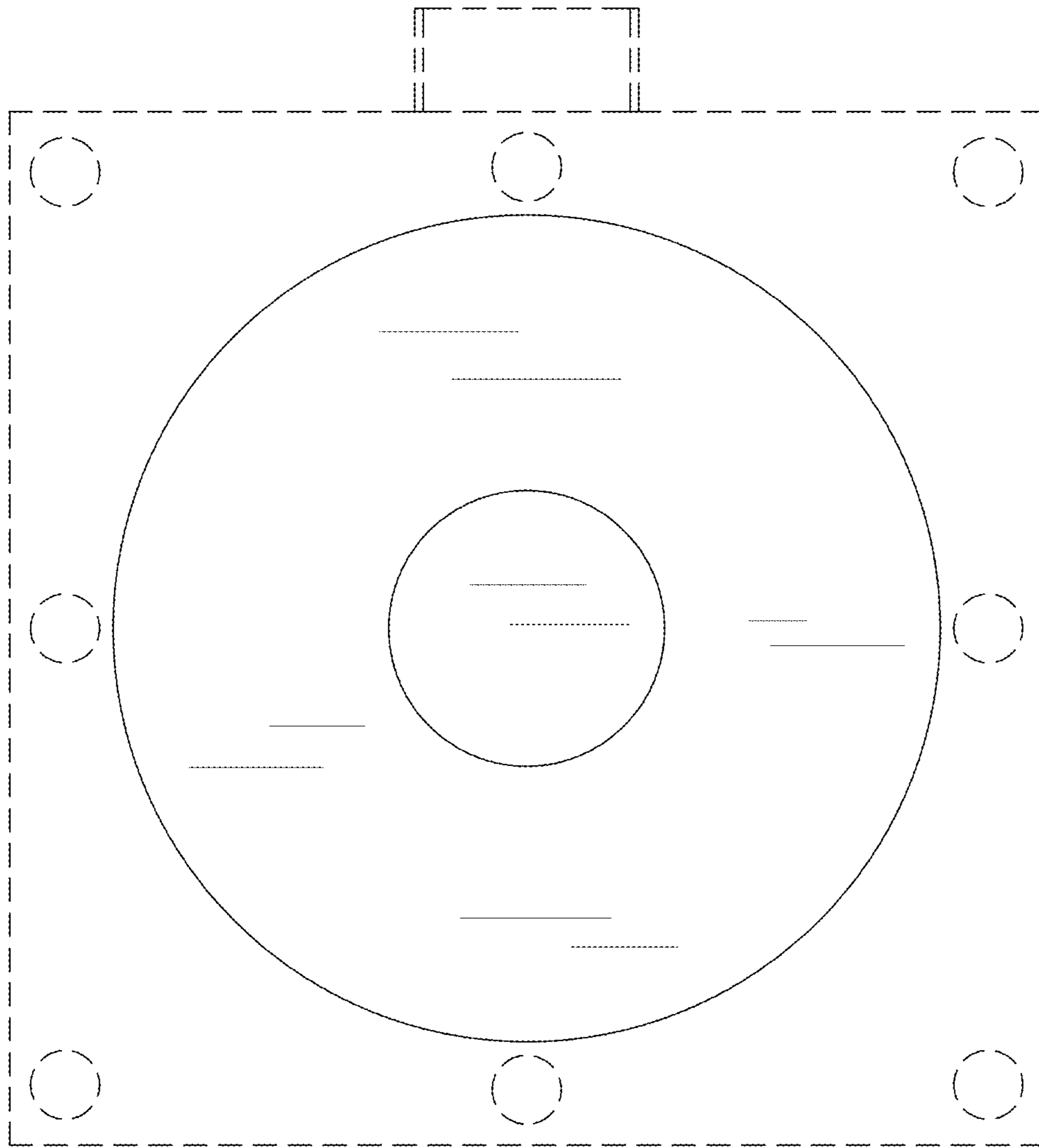


FIG. 06

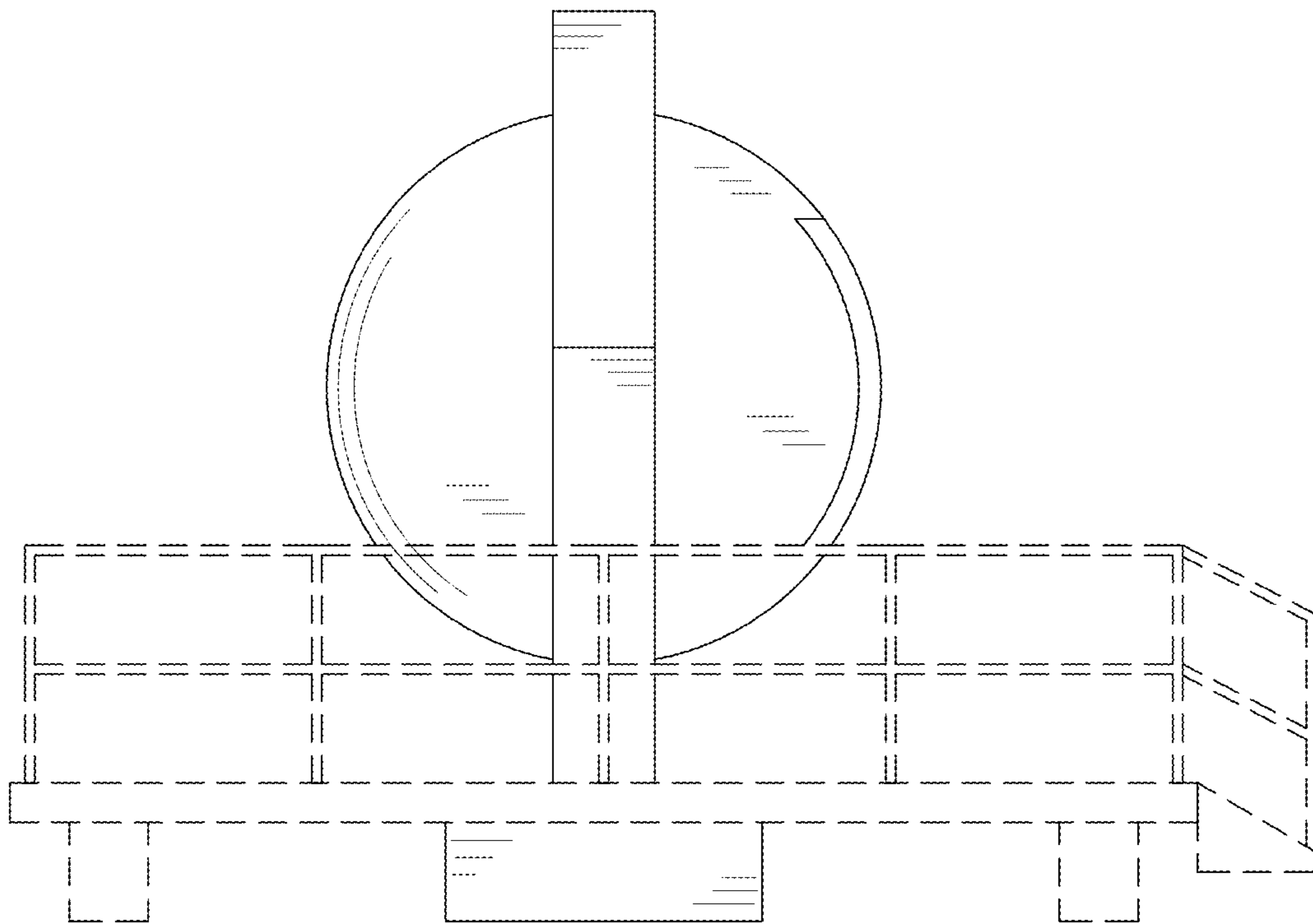


FIG. 07

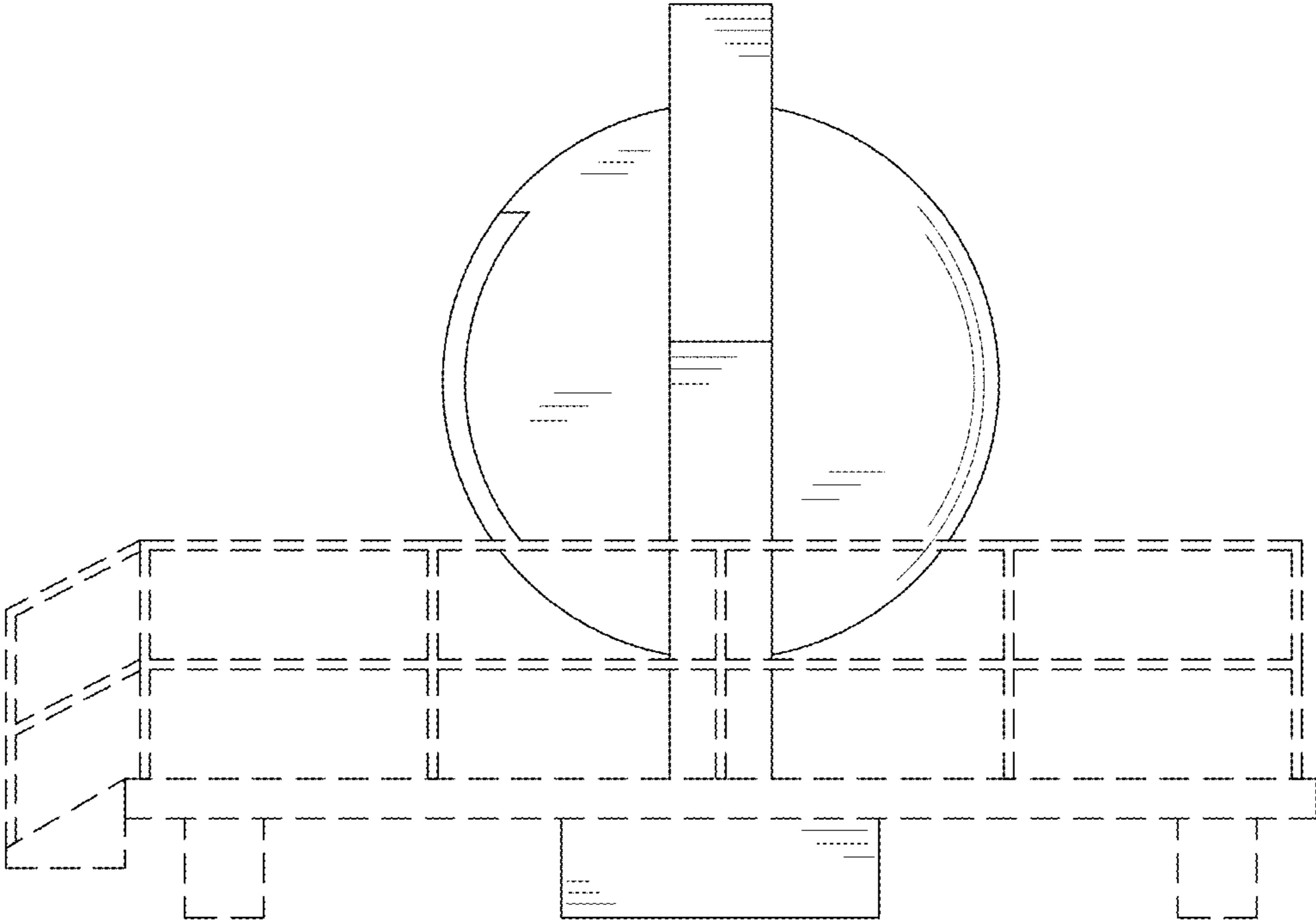


FIG. 08