

US00D898150S

(12) **United States Design Patent** (10) **Patent No.:** **US D898,150 S**  
**Barrett et al.** (45) **Date of Patent:** **\*\* Oct. 6, 2020**

(54) **INFLATABLE DEVICE**  
(71) Applicant: **FUNBOY, LLC**, Seattle, WA (US)  
(72) Inventors: **Blake Miller Barrett**, Seattle, WA (US); **Maxwell Page Barrett**, Seattle, WA (US)

D343,980 S \* 2/1994 Torchia ..... D21/809  
D349,744 S \* 8/1994 Wolfe ..... D12/316  
D383,183 S 9/1997 Darejeh et al.  
D390,618 S \* 2/1998 Wilson ..... D21/803  
D393,683 S \* 4/1998 Song ..... D12/316  
D446,273 S 8/2001 Natale  
7,063,677 B1 \* 6/2006 Daggett ..... B60N 2/665  
602/13

(Continued)

(73) Assignee: **FUNBOY, LLC**, Seattle, WA (US)

(\*\*) Term: **15 Years**

(21) Appl. No.: **29/705,680**

(22) Filed: **Sep. 13, 2019**

**Related U.S. Application Data**

(62) Division of application No. 29/645,490, filed on Apr. 26, 2018, now Pat. No. Des. 860,367.

(51) **LOC (12) Cl.** ..... **21-02**

(52) **U.S. Cl.**  
USPC ..... **D21/809**

(58) **Field of Classification Search**  
USPC ..... D21/803, 808, 809; D6/588, 596-597;  
D01/116-119, 106, 127, 128, 129;  
D30/160  
CPC ..... A63H 3/06  
See application file for complete search history.

(56) **References Cited**

**U.S. PATENT DOCUMENTS**

D139,176 S 10/1944 Gaide  
3,042,945 A \* 7/1962 Saeman ..... B63B 35/74  
441/135  
3,112,956 A 12/1963 Schick et al.  
D233,904 S \* 12/1974 Dage ..... D21/770  
D301,322 S \* 5/1989 Lee ..... D12/11  
5,033,742 A 7/1991 Johnson et al.  
5,044,030 A 9/1991 Balaton  
5,152,243 A 10/1992 Kuan  
D335,999 S \* 6/1993 Van Driessche ..... 5/631

**OTHER PUBLICATIONS**

Plastic Fantastics: Published May 10, 2018 [online], site visited Dec. 4, 2019. Available from Internet URL: <https://www.thesun.co.uk/fabulous/6256798/paddling-pools-grown-ups-latest-summer-must-have/> (Year: 2018).\*

(Continued)

*Primary Examiner* — Jack Reickel  
*Assistant Examiner* — Melvin L Davis  
(74) *Attorney, Agent, or Firm* — Lee & Hayes, P.C.

(57) **CLAIM**

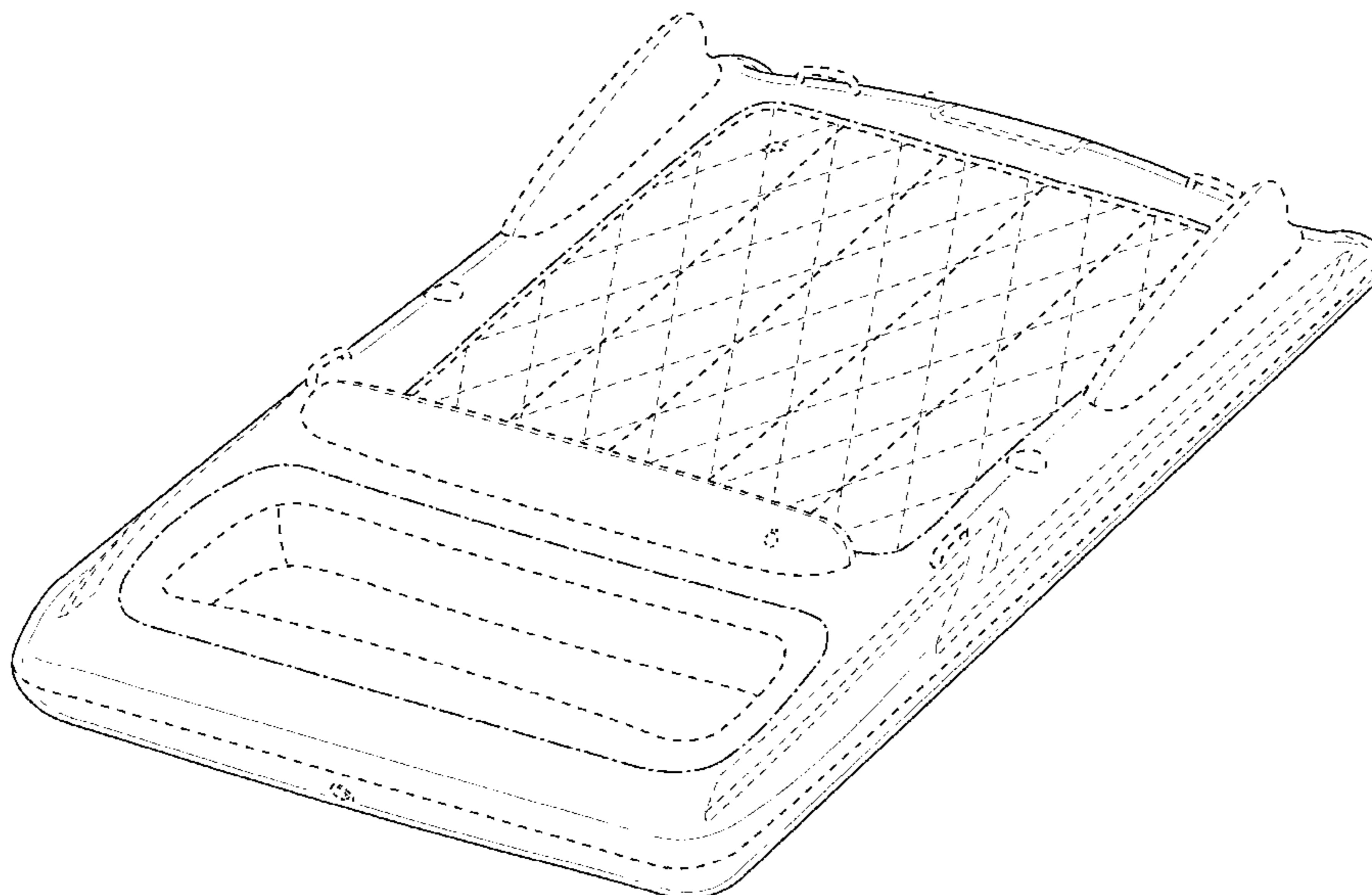
The ornamental design for an inflatable device, as shown and described.

**DESCRIPTION**

FIG. 1 is a top perspective view of an inflatable device; FIG. 2 is a bottom perspective view thereof; FIG. 3 is a front view thereof; FIG. 4 is a back view thereof; FIG. 5 is a left-side view thereof; FIG. 6 is a right-side view thereof; FIG. 7 is a top view thereof; and, FIG. 8 is a bottom view thereof.

The dashed broken lines depict portions of the inflatable device that form no part of the claimed design. The dot-dashed broken lines represent boundaries of the claimed inflatable device and form no part of the claimed design.

**1 Claim, 8 Drawing Sheets**



(56)

**References Cited**

U.S. PATENT DOCUMENTS

D540,880	S *	4/2007	Reilly .....	D21/300
D544,061	S	6/2007	Kuchler	
D560,264	S *	1/2008	Nakpodia .....	D21/769
D582,499	S *	12/2008	Hoffman .....	D21/803
D582,500	S *	12/2008	Hoffman .....	D21/803
7,530,321	B2 *	5/2009	Dingel .....	B63B 3/12 114/345
D627,026	S *	11/2010	Durocher .....	D21/769
D706,205	S *	6/2014	Bradley .....	D12/316
D779,008	S	2/2017	Osimo	
D779,609	S	2/2017	Osimo	
D802,074	S *	11/2017	Osimo .....	D21/803
D821,523	S	6/2018	Kasper et al.	
D842,626	S	3/2019	Zanki et al.	
D852,543	S *	7/2019	Clute .....	D6/604
D860,367	S *	9/2019	Barrett .....	D21/809
D862,623	S *	10/2019	Hsu .....	D21/803
D868,188	S *	11/2019	Barrett .....	D21/808
D883,178	S *	5/2020	Builder .....	D12/316
2005/0126467	A1 *	6/2005	Bouquard .....	B63B 7/082 114/345
2005/0215135	A1 *	9/2005	Hall .....	B63B 35/7906 441/55

2014/0179181	A1 *	6/2014	King .....	A63B 69/14 441/65
2014/0242861	A1 *	8/2014	Schultz .....	A63B 31/00 441/129
2016/0096598	A1 *	4/2016	Harkrider .....	A47C 15/006 441/130
2016/0213992	A1 *	7/2016	Fike .....	A63B 69/14

OTHER PUBLICATIONS

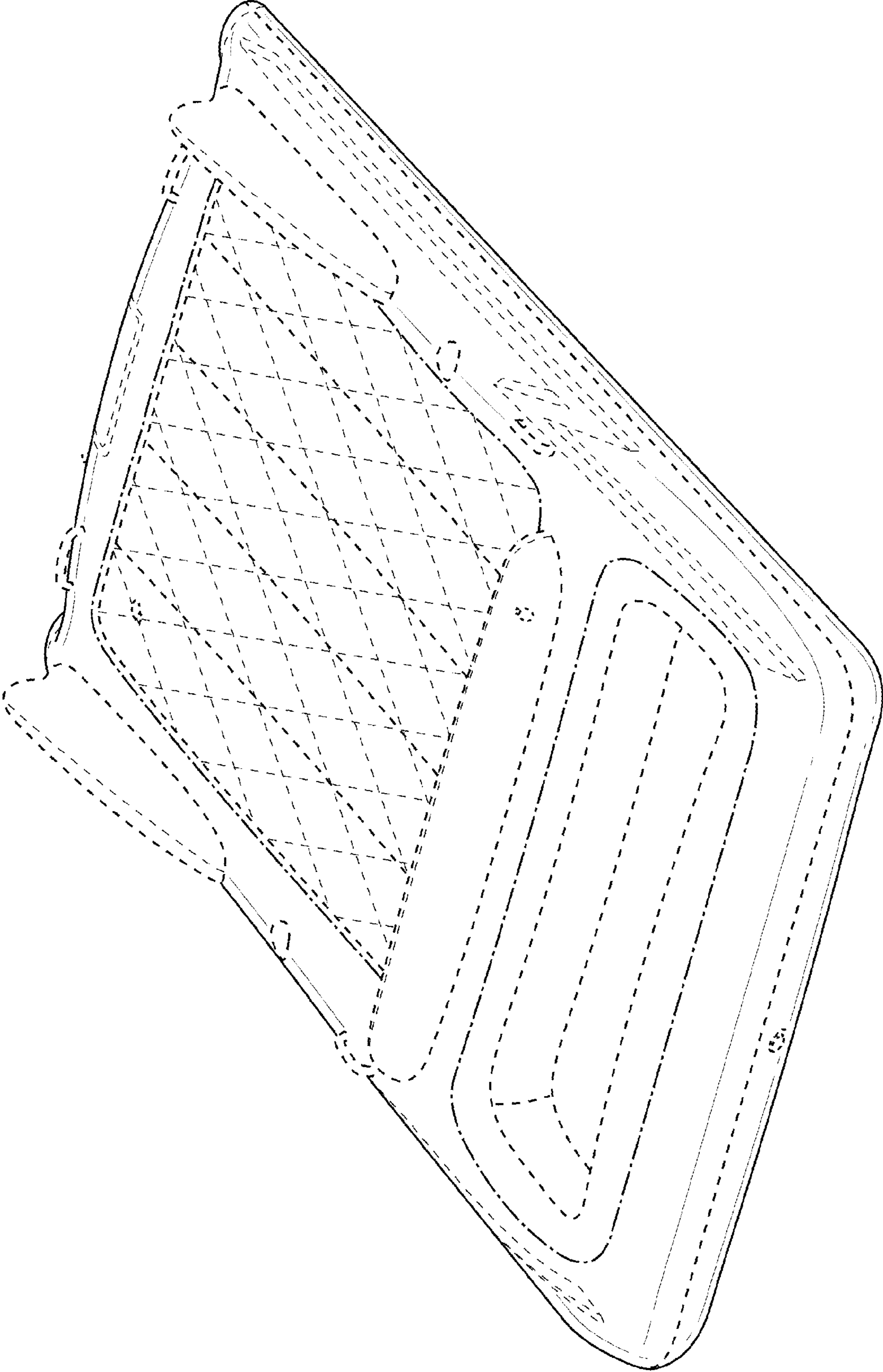
Pool floats for your pup are this summer's greatest find: Published May 30, 2018 [online], site visited Jan. 2, 2020. Available from Internet URL: <https://youtu.be/hkV23zwNXXKI> (Year: 2018).\*

Swimline Ben Franklin Money Mat Pool Float: Published Jun. 18, 2016 [online], site visited Jan. 2, 2020. Available from Internet URL: [https://www.amazon.com/dp/B01A7IA518/ref=cm\\_sw\\_r\\_tw\\_dp\\_U\\_x\\_Y8JdEbTCRSGHR](https://www.amazon.com/dp/B01A7IA518/ref=cm_sw_r_tw_dp_U_x_Y8JdEbTCRSGHR) (Year: 2016).\*

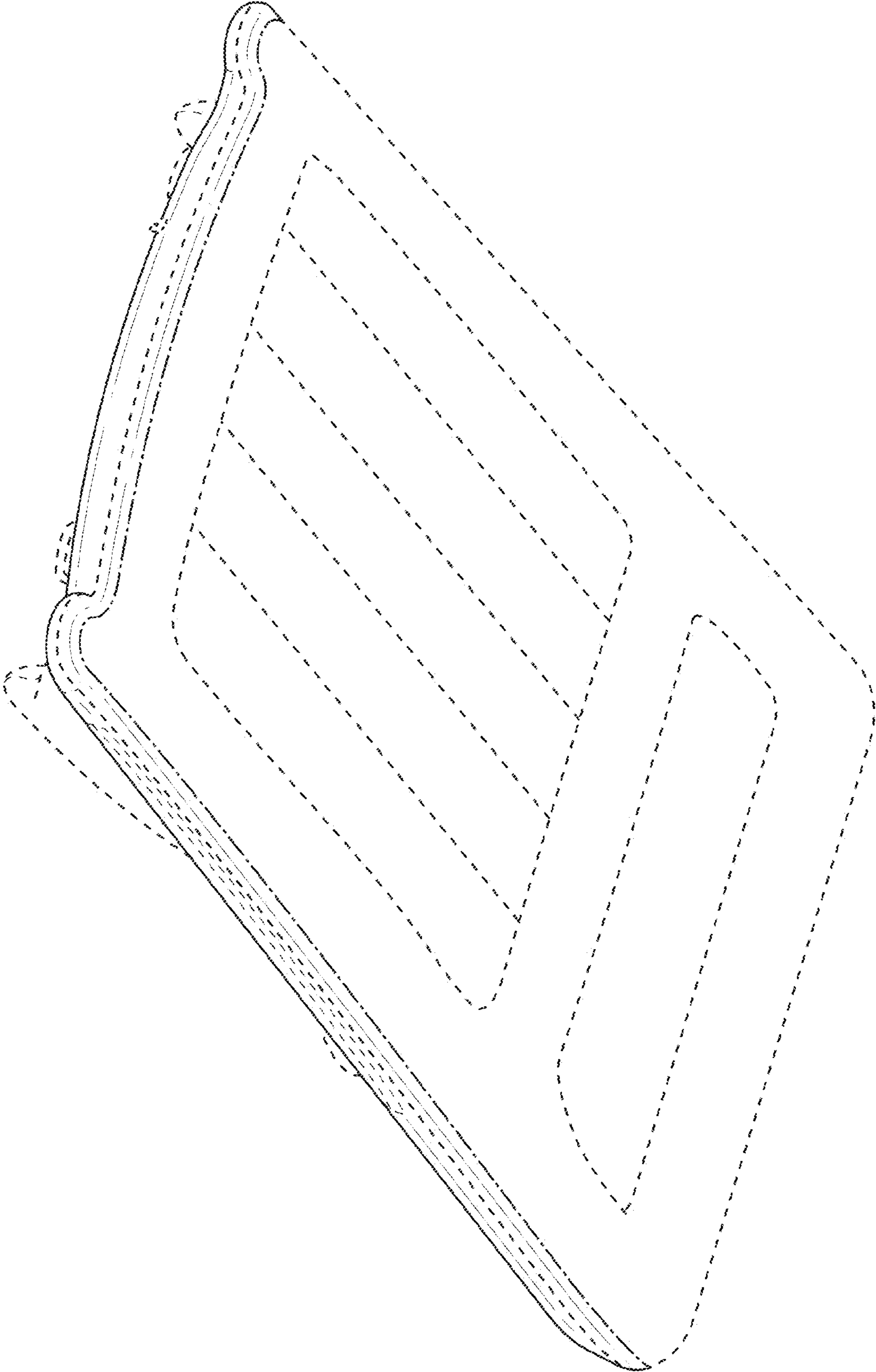
"Cadillac" Feb. 1, 2016, Maudlove Blogg, site visited May 25, 2020: <https://maudlove.blogg.se/2016/february/cadillac.html> (Year: 2016).\*

Funboy, "Retro Convertible Giant Inflatable Pool Float", retrieved from [https://www.amazon.co.uk/dp/B07DK3X5TH/ref=cm\\_sw\\_r\\_tw\\_dp\\_U\\_x\\_ws5RBCb15GFBJV](https://www.amazon.co.uk/dp/B07DK3X5TH/ref=cm_sw_r_tw_dp_U_x_ws5RBCb15GFBJV) on Mar. 25, 2019, Jun. 5, 2018, 8 pages.

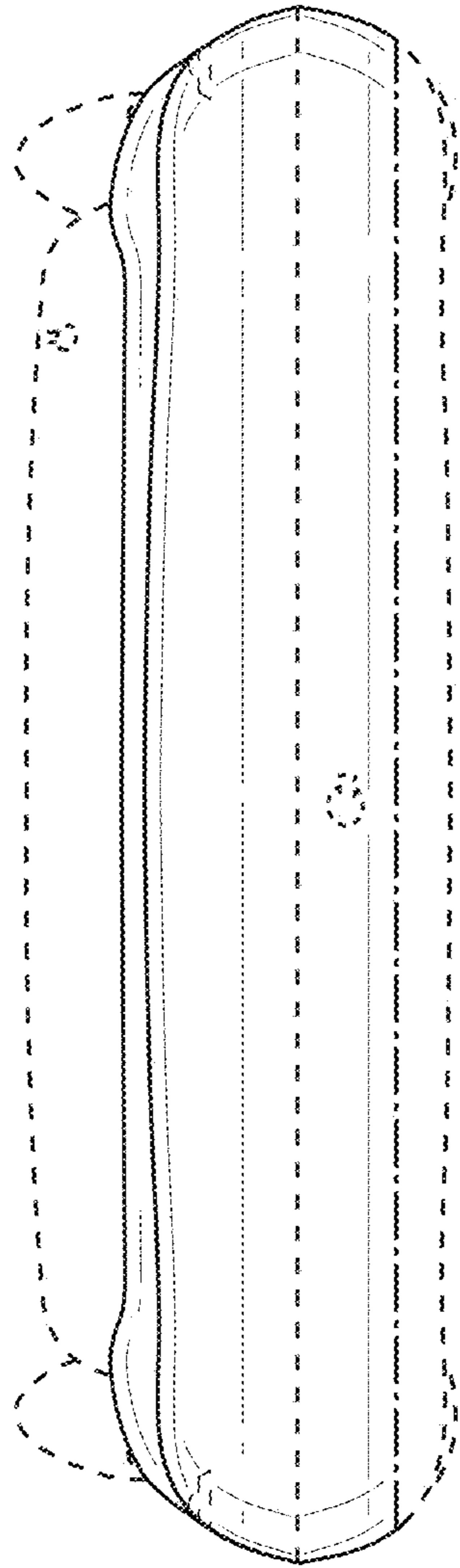
\* cited by examiner



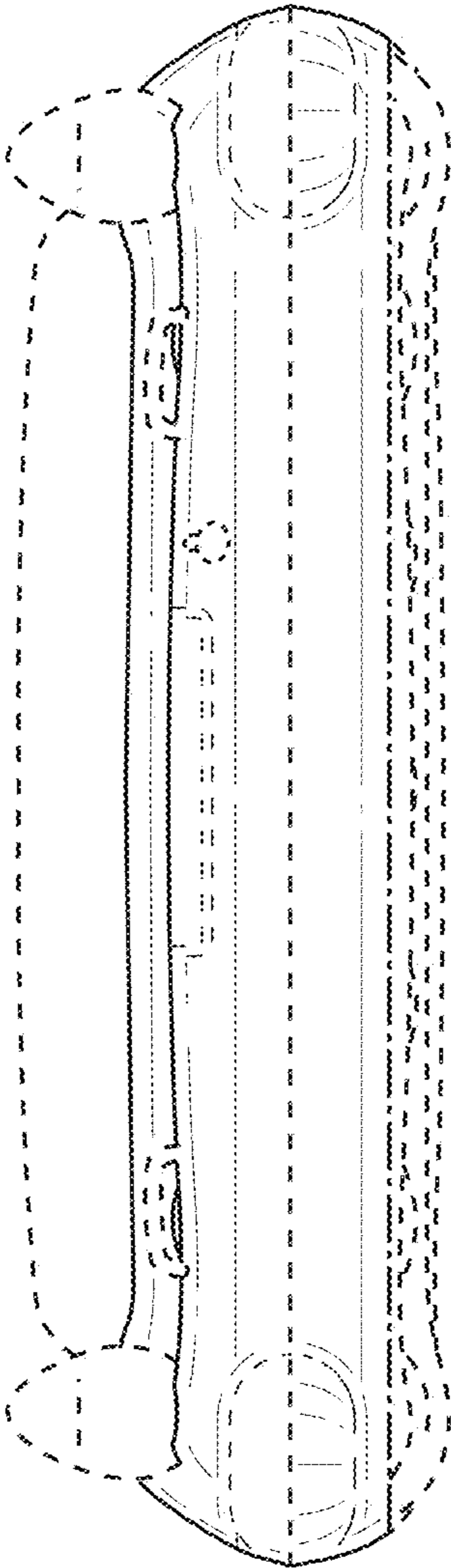
**FIG. 1**



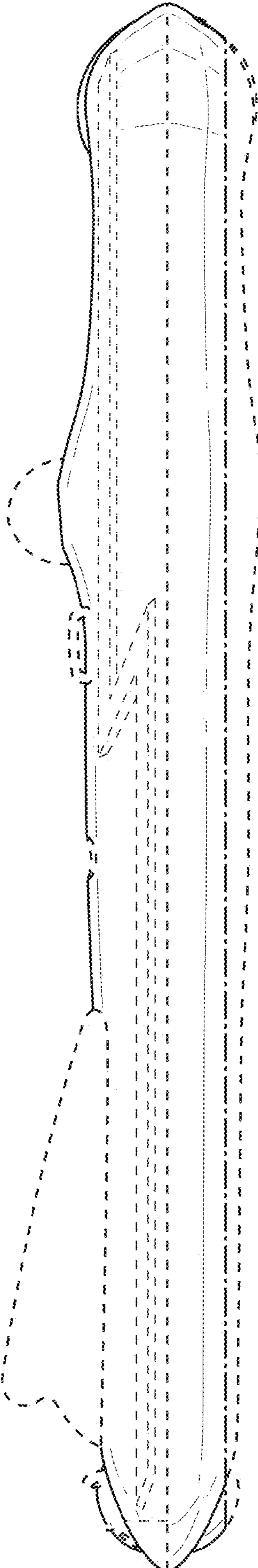
**FIG. 2**



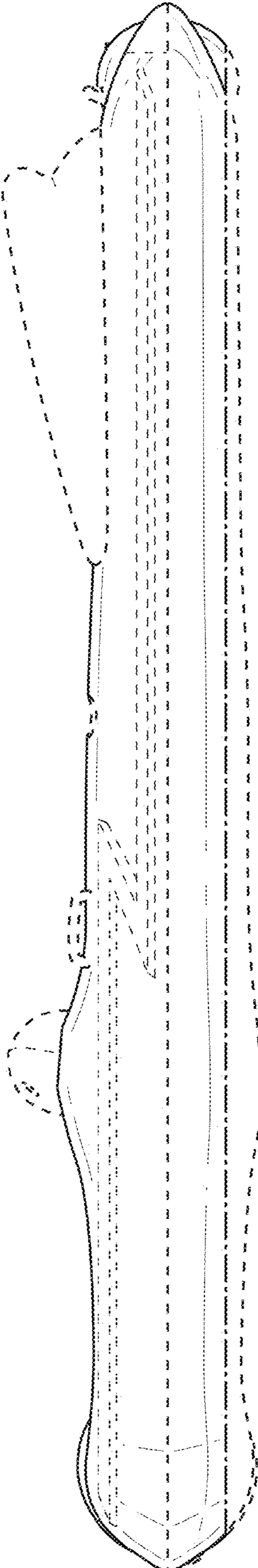
**FIG. 3**



**FIG. 4**

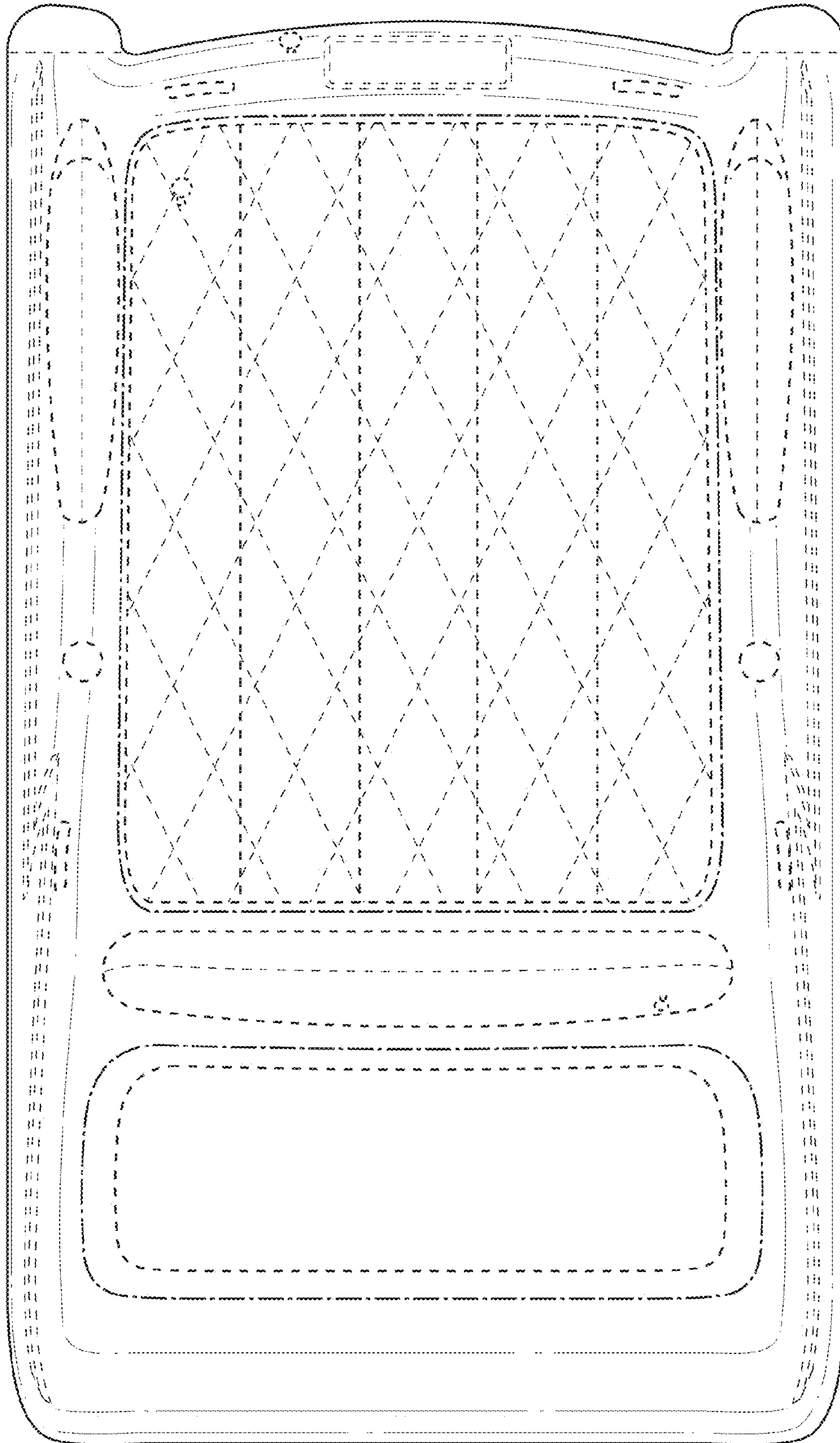


**FIG. 5**

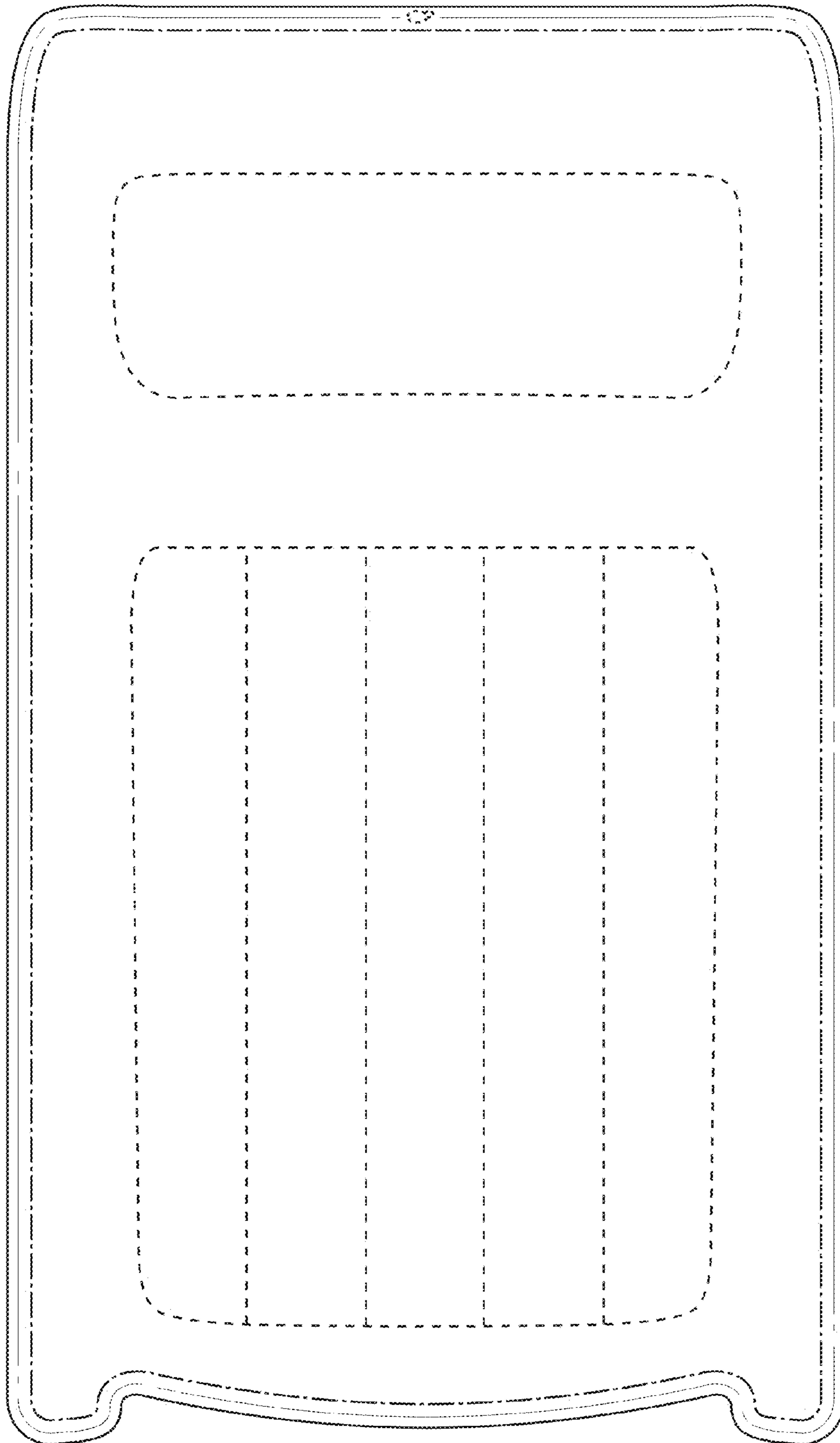


**FIG. 6**





**FIG. 7**



**FIG. 8**