



US00D898144S

(12) **United States Design Patent**
Parsons et al.

(10) **Patent No.:** **US D898,144 S**

(45) **Date of Patent:** **** Oct. 6, 2020**

(54) **GOLF CLUB HEAD**

(71) Applicant: **PARSONS XTREME GOLF, LLC**,
Scottsdale, AZ (US)

(72) Inventors: **Robert R. Parsons**, Scottsdale, AZ
(US); **Michael R. Nicolette**, Scottsdale,
AZ (US); **Bradley D. Schweigert**,
Anthem, AZ (US)

(73) Assignee: **PARSONS XTREME GOLF, LLC**,
Scottsdale, AZ (US)

(**) Term: **15 Years**

(21) Appl. No.: **29/689,668**

(22) Filed: **May 1, 2019**

Related U.S. Application Data

(60) Division of application No. 29/665,176, filed on Oct.
1, 2018, now Pat. No. Des. 852,302, which is a
continuation-in-part of application No. 29/657,820,
filed on Jul. 25, 2018, now abandoned.

(51) **LOC (12) Cl.** **21-02**

(52) **U.S. Cl.**
USPC **D21/747**

(58) **Field of Classification Search**
USPC D21/747-751, 759
CPC A63B 53/00; A63B 53/02; A63B 53/04;
A63B 53/047; A63B 53/0475; A63B
2053/047; A63B 2053/0483; A63B
2053/0445; A63B 60/00; A63B 60/46
See application file for complete search history.

(56) **References Cited**

U.S. PATENT DOCUMENTS

1,133,129 A * 3/1915 Govan A63B 53/0466
473/337
D164,469 S 9/1951 Behrendt

3,020,048 A 2/1962 Carroll
D203,936 S 3/1966 Long
D215,101 S 9/1969 Sabat
D234,963 S 4/1975 Hirata
D239,550 S 4/1976 Timbrook
D240,054 S 5/1976 Meissler
D244,792 S * 6/1977 Gelinas D21/751
D250,136 S * 10/1978 Gelinas D21/751
D261,167 S 10/1981 Swanson
D294,617 S * 3/1988 Perkins D21/749
(Continued)

OTHER PUBLICATIONS

International Search Report and Written Opinion issued in connec-
tion with corresponding application No. PCT/US2015/016666, dated
May 14, 2015 (3 Pages).

(Continued)

Primary Examiner — Mitchell I. Siegel

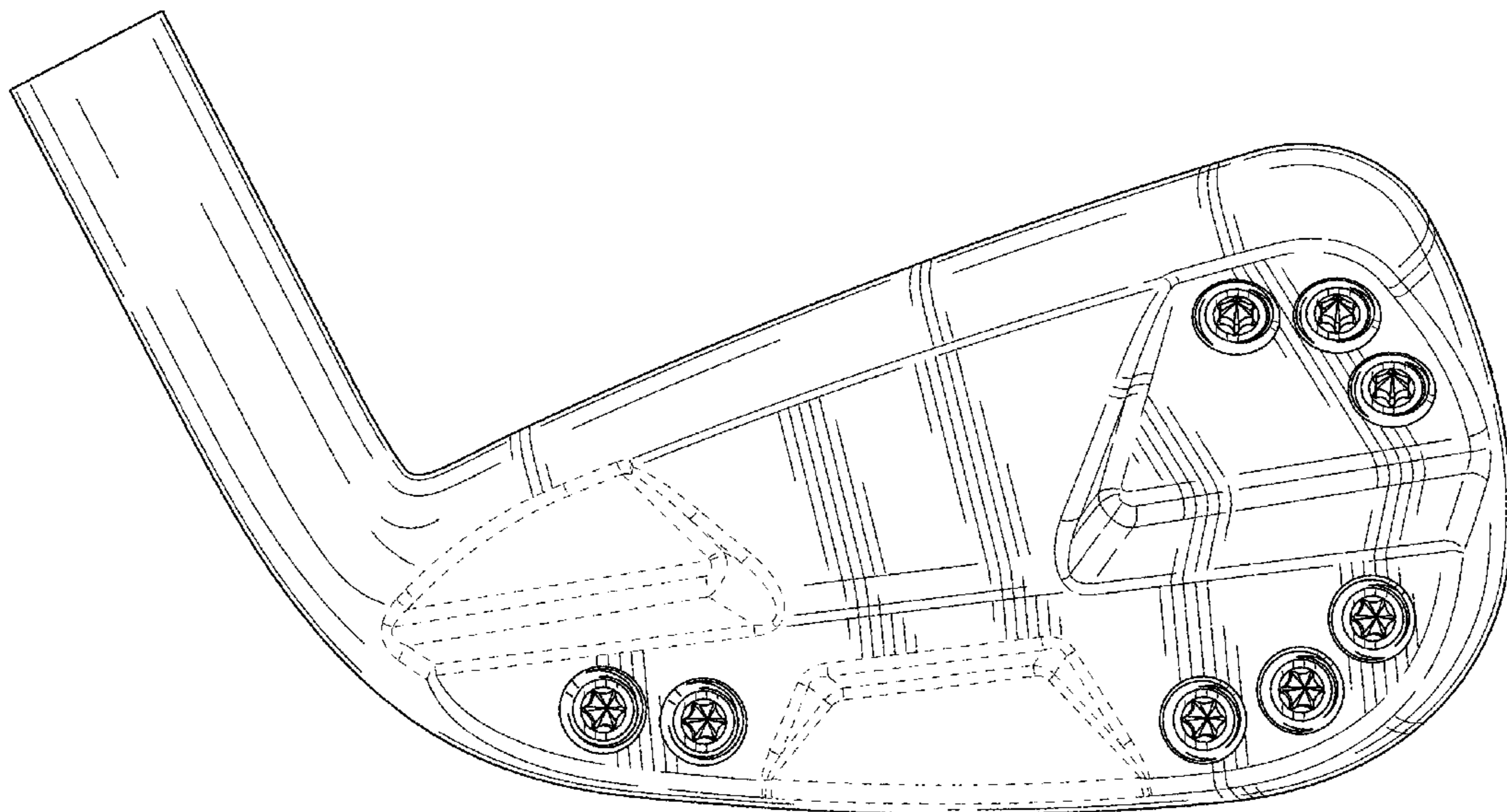
(57) **CLAIM**

The ornamental design for a golf club head, as shown and
described.

DESCRIPTION

FIG. 1 is a top perspective view of a golf club head;
FIG. 2 is a bottom perspective view of the golf club head of
FIG. 1;
FIG. 3 is a front elevational view of the golf club head of
FIG. 1;
FIG. 4 is a rear elevational view of the golf club head of FIG.
1;
FIG. 5 is a top view of the golf club head of FIG. 1;
FIG. 6 is a bottom view of the golf club head of FIG. 1;
FIG. 7 is a left side view of the golf club head of FIG. 1; and,
FIG. 8 is a right side view of the golf club head of FIG. 1.
The broken lines show portions of the golf club head that
form no part of the claimed design.

1 Claim, 8 Drawing Sheets



(56)

References Cited

U.S. PATENT DOCUMENTS

D294,817 S	3/1988	Perkins		6,923,733 B2	8/2005	Chen	
4,754,977 A *	7/1988	Sahm	A63B 53/04 473/337	D514,183 S	1/2006	Schweigert	
4,824,116 A	4/1989	Nagamoto		D516,650 S	3/2006	Stone	
4,988,104 A	1/1991	Shiotani		D518,863 S	4/2006	Nishitani	
5,158,296 A *	10/1992	Lee	A63B 53/04 473/327	D523,501 S	6/2006	Schweigert	
5,176,384 A	1/1993	Sata		D523,917 S	6/2006	Roberts	
5,213,328 A	5/1993	Long		D524,889 S	7/2006	Kim	
D336,672 S	6/1993	Gorman		D530,759 S	10/2006	Solheim	
D353,862 S	12/1994	Saito		D530,760 S	10/2006	Solheim	
D357,520 S	4/1995	Schmidt		7,121,956 B2 *	10/2006	Lo	A63B 53/04 473/335
5,419,560 A	5/1995	Bamber		7,128,663 B2	10/2006	Bamber	
5,425,535 A	6/1995	Gee		D531,688 S *	11/2006	Frame	D21/747
D361,358 S	8/1995	Simmons		D532,849 S	11/2006	Soiheim	
5,447,311 A	9/1995	Viollaz		D534,228 S	12/2006	Solheim	
5,451,056 A	9/1995	Manning		D534,595 S *	1/2007	Hasebe	D21/747
D362,884 S	10/1995	Sheeley		D534,597 S	1/2007	Solheim	
D362,885 S	10/1995	Sheeley		7,156,751 B2	1/2007	Wahl	
D362,887 S	10/1995	Sheeley		D536,759 S	2/2007	Nicolette	
D370,514 S	6/1996	Sheeley		D537,494 S	2/2007	Solheim	
5,540,437 A	7/1996	Bamber		7,182,698 B2	2/2007	Tseng	
D379,106 S	5/1997	Maltby		D538,366 S	3/2007	Nicolette	
5,637,045 A	6/1997	Igarashi		D539,864 S	4/2007	Solheim	
5,669,830 A	9/1997	Bamber		D540,898 S	4/2007	Solheim	
D389,540 S *	1/1998	Mendenhall	D21/750	D541,360 S	4/2007	Solheim	
D389,541 S	1/1998	Huan-Chiang		7,207,900 B2	4/2007	Nicolette	
D395,476 S	6/1998	Pond et al.		D543,601 S *	5/2007	Kawami	D21/759
5,766,091 A	6/1998	Humphrey		D544,056 S	6/2007	Solheim	
5,766,092 A	6/1998	Mimeur		D547,410 S	7/2007	Solheim	
D399,277 S	10/1998	Ezaki		D555,219 S *	11/2007	Lin	D21/759
5,827,132 A	10/1998	Bamber		7,303,486 B2	12/2007	Imamoto	
D408,485 S	4/1999	Sasaki		D559,932 S	1/2008	Belmont	
5,899,821 A	5/1999	Hsu		D561,855 S	2/2008	Nicolette	
5,935,016 A	8/1999	Antonious		D562,925 S	2/2008	Nicolette	
D414,535 S	9/1999	Mertens		7,351,164 B2	4/2008	Schweigert	
D421,080 S *	2/2000	Chen	D21/747	D570,435 S	6/2008	Sanchez	
D426,276 S	6/2000	Besnard et al.		D570,935 S	6/2008	Nicolette	
D426,476 S	6/2000	Goss		D570,936 S	6/2008	Nicolette	
6,077,171 A *	6/2000	Yoneyama	A63B 53/04 473/291	D570,942 S	6/2008	Schweigert	
D442,659 S	5/2001	Solheim		D571,422 S	6/2008	Nicolette	
D443,008 S	5/2001	Kubica		D571,425 S	6/2008	Nicolette	
D445,862 S	7/2001	Ford		D571,427 S	6/2008	Schweigert	
6,290,609 B1	9/2001	Takeda		D571,881 S	6/2008	Solheim	
D449,866 S	10/2001	Miller		D572,326 S	7/2008	Schweigert	
D457,211 S	5/2002	Bakke		D572,329 S	7/2008	Solheim	
D458,328 S	6/2002	Nicolette		D573,219 S	7/2008	Schweigert	
D469,833 S	2/2003	Roberts		7,396,299 B2	7/2008	Nicolette	
D473,605 S *	4/2003	Petersen	D21/747	7,413,518 B2	8/2008	Cole	
D475,107 S	5/2003	Madore		D577,783 S	9/2008	Nicolette	
D476,048 S	6/2003	Cleveland		D578,590 S	10/2008	Nicolette	
D478,949 S	8/2003	De La Cruz		D581,000 S	11/2008	Sanchez	
6,638,182 B2	10/2003	Kosmatka		D581,004 S	11/2008	Chen	
6,695,714 B1	2/2004	Bliss		D584,370 S	1/2009	Cleveland	
6,702,693 B2	3/2004	Bamber		D585,103 S *	1/2009	Foster	D21/756
D488,201 S *	4/2004	Wahl	D21/747	D586,414 S *	2/2009	Foster	D21/747
D492,376 S	6/2004	Schweigert		D587,327 S *	2/2009	Ines	D21/747
D494,240 S	8/2004	Schweigert		D594,518 S	6/2009	Schweigert	
D494,648 S	8/2004	Schweigert		D596,256 S	7/2009	Nicolette	
6,780,123 B2	8/2004	Hasebe		D596,257 S	7/2009	Nicolette	
D497,963 S	11/2004	Toulon		D596,258 S	7/2009	Jertson	
6,811,496 B2	11/2004	Wahl		D596,688 S	7/2009	Chen	
D499,779 S	12/2004	Mahaffey		D597,158 S	7/2009	Nicolette	
D500,350 S	12/2004	Schweigert		D601,216 S	9/2009	Nicolette	
D500,351 S	12/2004	Schweigert		7,588,502 B2 *	9/2009	Nishino	A63B 53/0466 473/332
D502,237 S	2/2005	Schweigert		7,601,075 B2	10/2009	Cole	
D502,975 S	3/2005	Schweigert et al.		D604,783 S	11/2009	Soiheim	
D503,204 S	3/2005	Nicolette et al.		7,611,424 B2	11/2009	Nagai	
D504,925 S	5/2005	Schweigert		D606,605 S	12/2009	Ban	
D505,171 S	5/2005	Solheim		D607,070 S	12/2009	Ban	
D507,320 S	7/2005	Roberts et al.		D607,071 S	12/2009	Ban	
D507,614 S	7/2005	Schweigert		7,658,686 B2	2/2010	Soracco	
D508,099 S	8/2005	Solheim		D612,438 S	3/2010	Carlyle	
D508,545 S	8/2005	Roberts et al.		D612,439 S	3/2010	Carlyle	
				D617,406 S	6/2010	Carlyle	
				D618,293 S	6/2010	Foster et al.	
				D621,894 S	6/2010	Schweigert	
				7,736,243 B2	6/2010	Sanchez	
				7,744,484 B1	6/2010	Chao	

(56)

References Cited

U.S. PATENT DOCUMENTS

D621,893 S 8/2010 Nicolette
 D621,895 S 8/2010 Schweigert
 7,798,917 B2 9/2010 Nguyen
 7,815,521 B2 10/2010 Ban
 D627,409 S 11/2010 Schweigert
 D627,410 S 11/2010 Nicolette et al.
 7,846,040 B2 12/2010 Ban
 D633,159 S 2/2011 Manwaring
 D633,967 S 3/2011 Carlyle
 D635,627 S 4/2011 Nicolette
 7,938,738 B2 5/2011 Roach
 D643,488 S 6/2011 Manwaring
 D642,642 S 8/2011 Schweigert
 D643,490 S 8/2011 Ban
 D643,491 S 8/2011 Solheim
 D643,492 S 8/2011 Nicolette
 D643,895 S 8/2011 Wieland
 D643,896 S 8/2011 Schweigert
 D647,582 S 10/2011 Nicolette
 D649,211 S 11/2011 Schweigert
 8,062,150 B2 11/2011 Gilbert
 D651,268 S 12/2011 Nicolette
 8,088,025 B2 1/2012 Wahl
 8,092,319 B1 1/2012 Cackett
 8,105,180 B1 1/2012 Cackett
 8,142,307 B2 3/2012 Sanchez
 D658,248 S 4/2012 Toulon
 8,221,262 B1 7/2012 Cackett
 8,246,487 B1* 8/2012 Cackett A63B 53/06
 473/334
 D670,775 S 11/2012 Schweigert
 D672,417 S 12/2012 Schweigert
 8,328,662 B2 12/2012 Nakamura
 D673,633 S 1/2013 Schweigert
 D673,634 S 1/2013 Schweigert
 8,376,878 B2 2/2013 Bennett
 D680,603 S 4/2013 Nicolette
 D681,142 S 4/2013 Fossum et al.
 D681,143 S 4/2013 Nicolette
 8,414,422 B2 4/2013 Peralta
 8,506,420 B2 8/2013 Hocknell
 8,545,343 B2 10/2013 Boyd
 8,574,094 B2 11/2013 Nicolette
 8,657,700 B2 2/2014 Nicolette
 8,663,026 B2 3/2014 Blowers
 8,690,710 B2 4/2014 Nicolette
 D707,316 S 6/2014 Brunski
 D707,317 S 6/2014 Brunski
 8,753,230 B2 6/2014 Stokke
 D708,688 S 7/2014 Nicolette
 8,827,832 B2 9/2014 Breier
 8,827,833 B2 9/2014 Amano
 8,845,455 B2 9/2014 Ban
 D716,387 S 10/2014 Brunski
 D716,388 S 10/2014 Brunski
 D716,391 S* 10/2014 Roche D21/759
 D722,352 S* 2/2015 Nicolette D21/747
 D723,120 S* 2/2015 Nicolette D21/747
 8,961,336 B1* 2/2015 Parsons A63B 53/0475
 473/332
 D726,265 S* 4/2015 Nicolette D21/747
 9,199,143 B1 12/2015 Parsons
 D746,926 S* 1/2016 Parsons D21/747
 D748,214 S* 1/2016 Nicolette D21/747

D746,749 S 2/2016 Nicolette et al.
 D748,749 S* 2/2016 Nicolette D21/759
 D756,471 S* 5/2016 Nicolette D21/747
 D764,610 S* 8/2016 Parsons D21/747
 9,421,437 B2 8/2016 Parsons
 9,427,634 B2 8/2016 Parsons
 D773,575 S* 12/2016 Nicolette D21/747
 D802,068 S* 11/2017 Parsons D21/747
 D816,787 S* 5/2018 Nicolette D21/747
 D827,065 S* 8/2018 Nicolette D21/747
 D835,737 S* 12/2018 Parsons D21/747
 D852,302 S* 6/2019 Parsons D21/747
 2002/0107087 A1 8/2002 Fagot
 2003/0139226 A1* 7/2003 Cheng A63B 53/04
 473/334
 2003/0176231 A1 9/2003 Hasebe
 2004/0204263 A1 10/2004 Fagot
 2005/0009632 A1 1/2005 Schweigert
 2005/0014573 A1 1/2005 Lee
 2005/0096148 A1 5/2005 Noble
 2005/0119066 A1 6/2005 Stites
 2005/0239569 A1 10/2005 Best
 2005/0277485 A1* 12/2005 Hou A63B 53/047
 473/332
 2006/0111200 A1 5/2006 Poynor
 2007/0032308 A1 2/2007 Fagot
 2007/0225084 A1 9/2007 Schweigert
 2008/0058113 A1 3/2008 Nicolette
 2008/0188322 A1 8/2008 Anderson
 2008/0300065 A1 12/2008 Schweigert
 2009/0029790 A1 1/2009 Nicolette
 2010/0130306 A1 5/2010 Schweigert
 2010/0178999 A1 7/2010 Nicolette
 2011/0111683 A1 5/2011 Kelnhofer
 2011/0111883 A1 5/2011 Cackett
 2011/0165963 A1 7/2011 Cackett
 2011/0269567 A1 11/2011 Ban
 2011/0294596 A1 12/2011 Ban
 2012/0267410 A1 10/2012 Loudenslager
 2013/0137532 A1 5/2013 Deshmukh
 2013/0225319 A1 8/2013 Kato
 2013/0281226 A1 10/2013 Ban
 2013/0288823 A1 10/2013 Hebreo
 2013/0303303 A1 11/2013 Ban
 2013/0310192 A1 11/2013 Wahl
 2014/0080621 A1 3/2014 Nicolette
 2014/0128175 A1 5/2014 Jertson
 2014/0274441 A1 9/2014 Greer
 2014/0274451 A1 9/2014 Knight
 2015/0136825 A1 5/2015 Kalck
 2015/0231454 A1* 8/2015 Parsons A63B 53/0475
 473/335
 2015/0231806 A1 8/2015 Parsons

OTHER PUBLICATIONS

Kozuchowski, Zak, "Callaway Mack Daddy 2 PM Grind Wedges" (<http://golfwrz.com/276203/callaway-mack-daddy-2-pm-grind-wedges/>), www.golfwrz.com, Golfwrz Holdings, LLC, Published Jan. 21, 2015.
 Wall, Jonathan, "Details: Phil's Prototype Mack Daddy PM-Grind Wedge," (<http://www.pgatour.com/equipmentreport/2015/01/21/callaway-wedge.html>), www.pgatour.com, PGA Tour, Inc., Published Jan. 21, 2015.

* cited by examiner

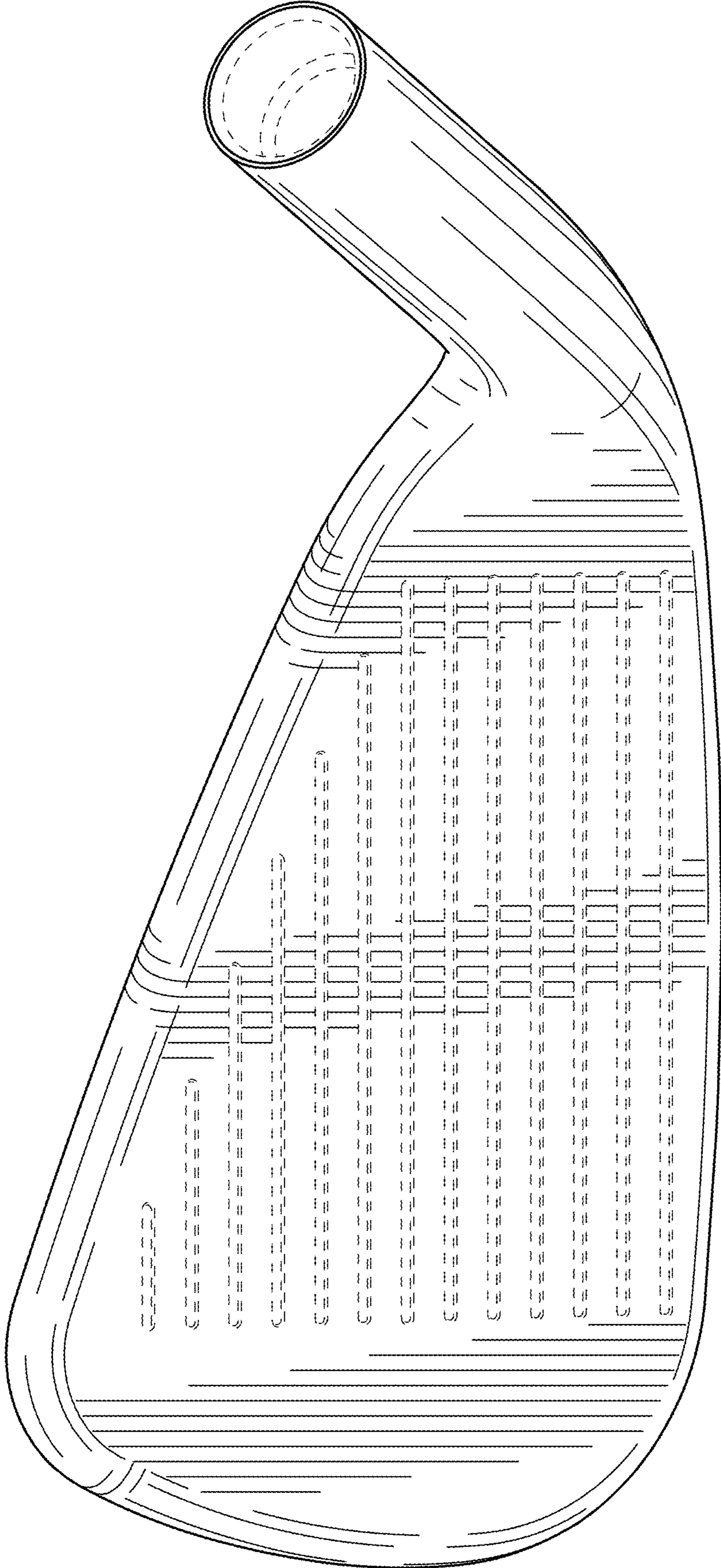


FIG. 1

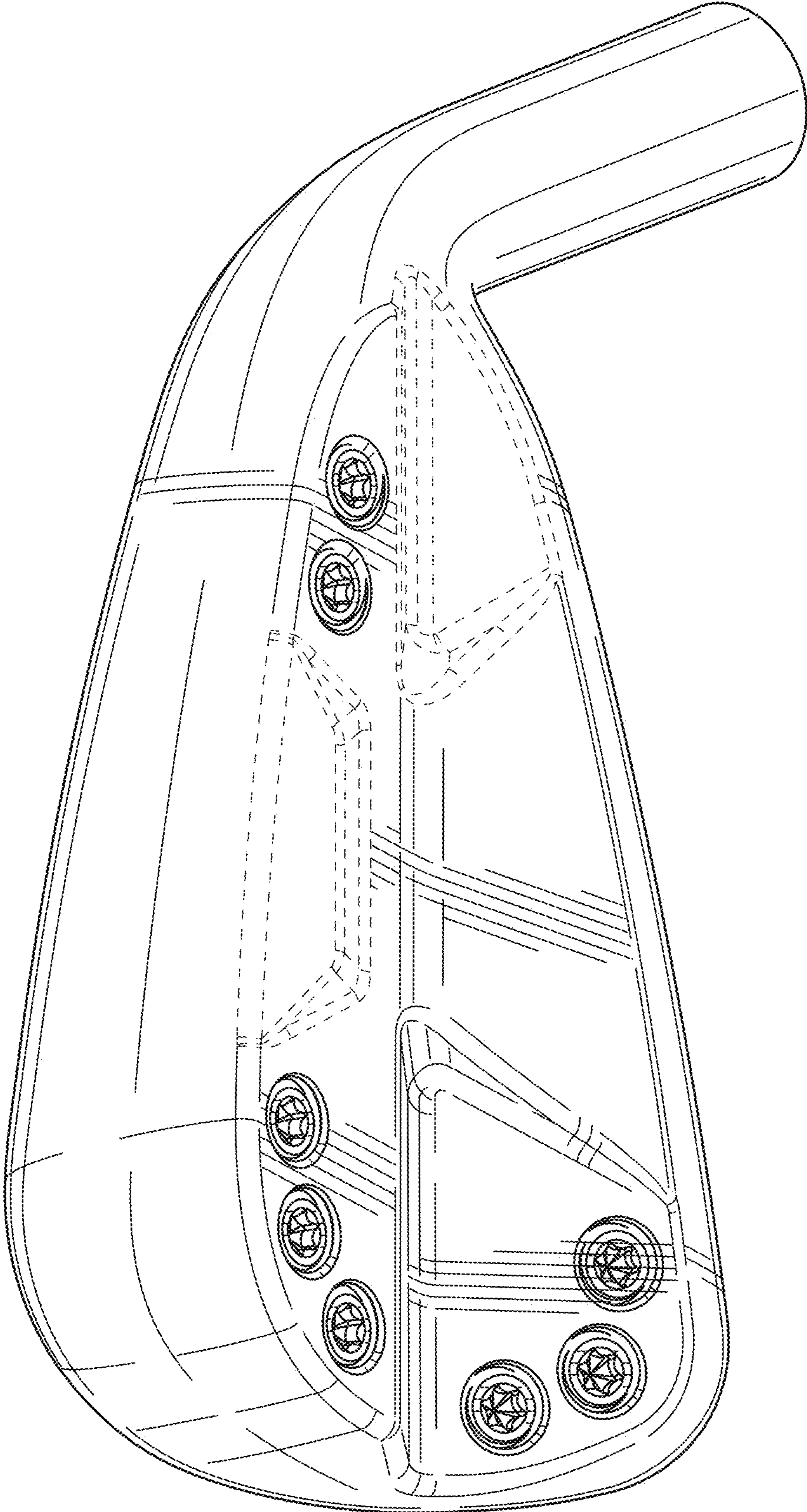


FIG. 2

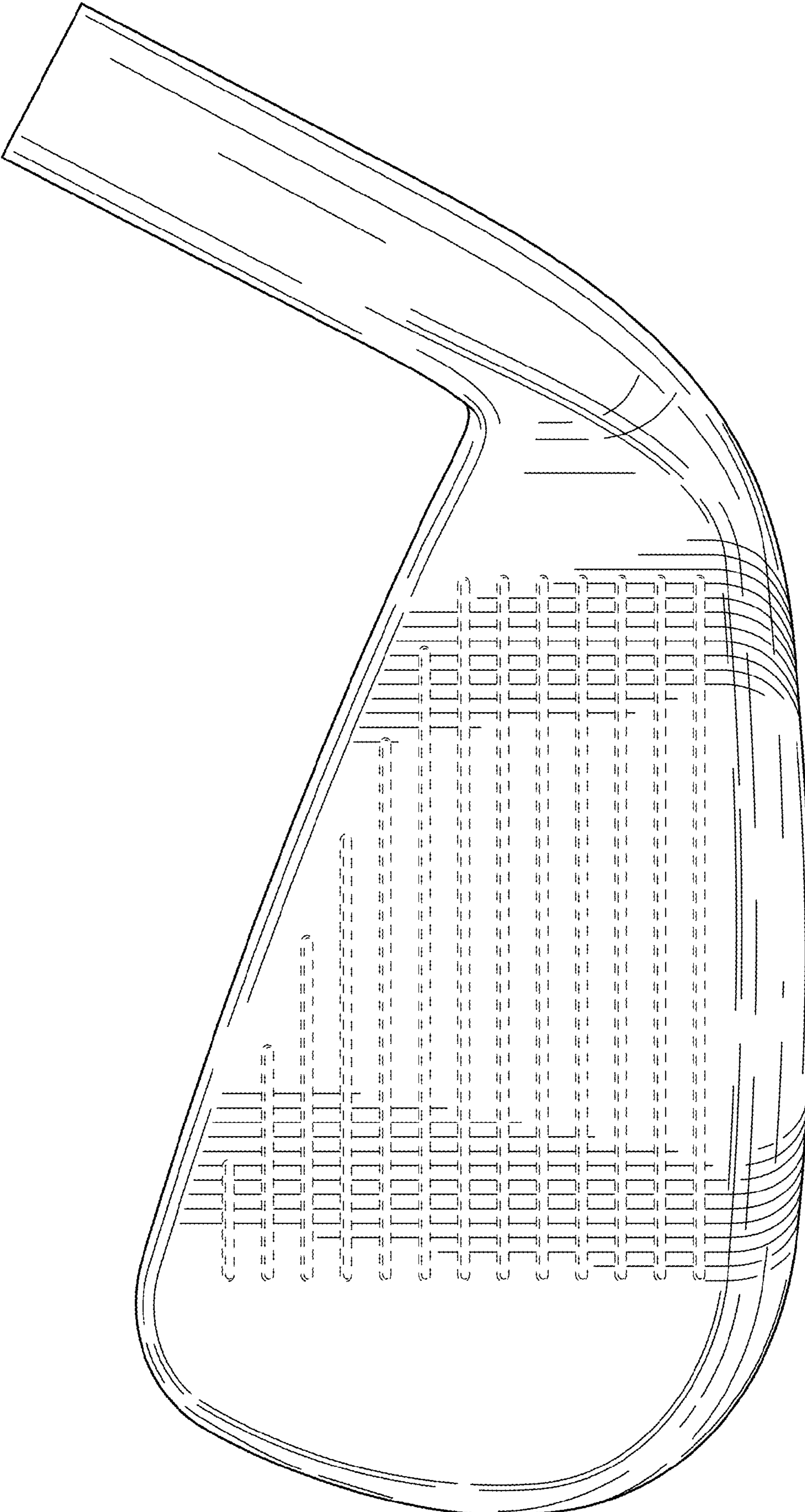


FIG. 3

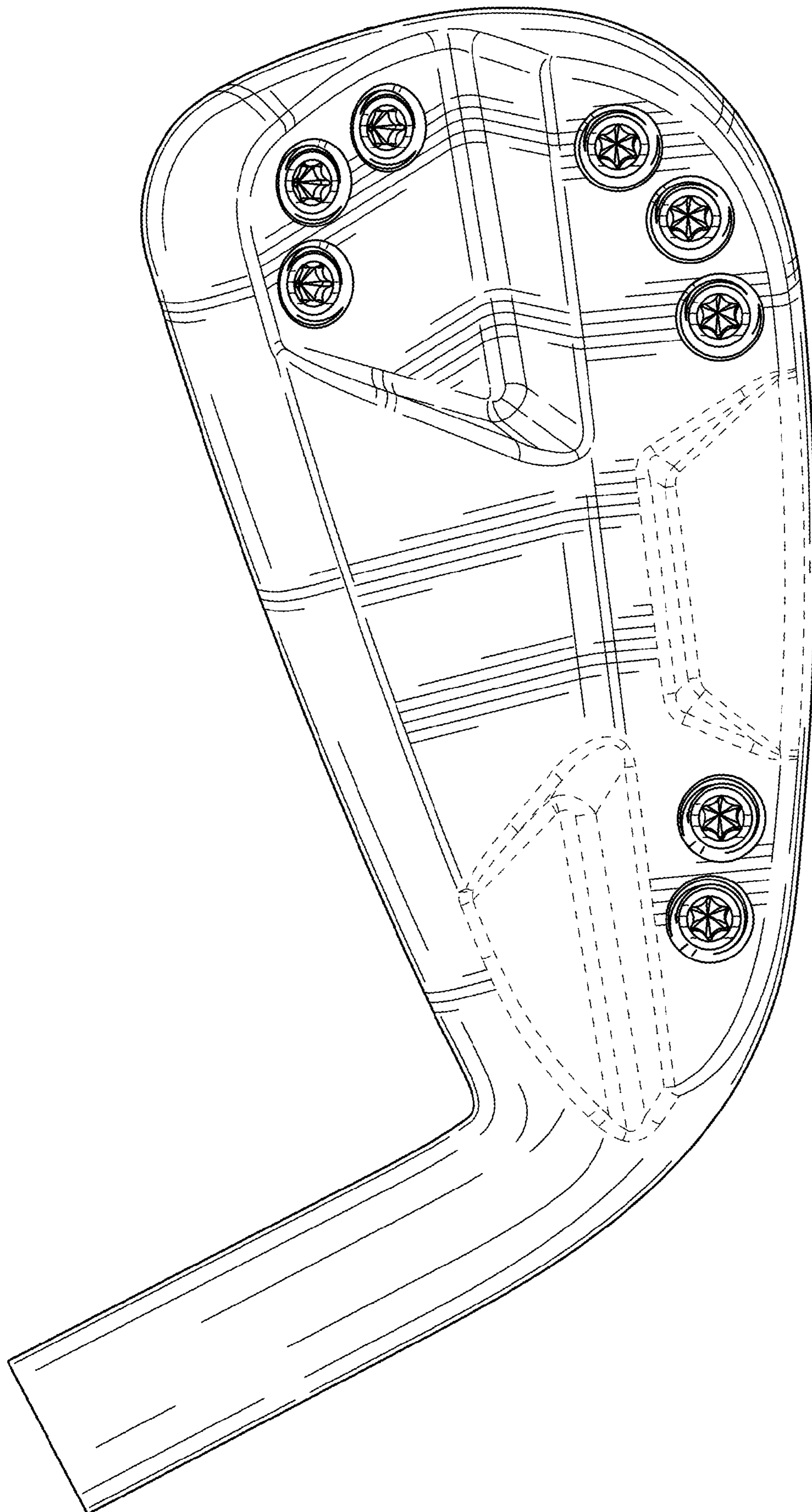


FIG. 4

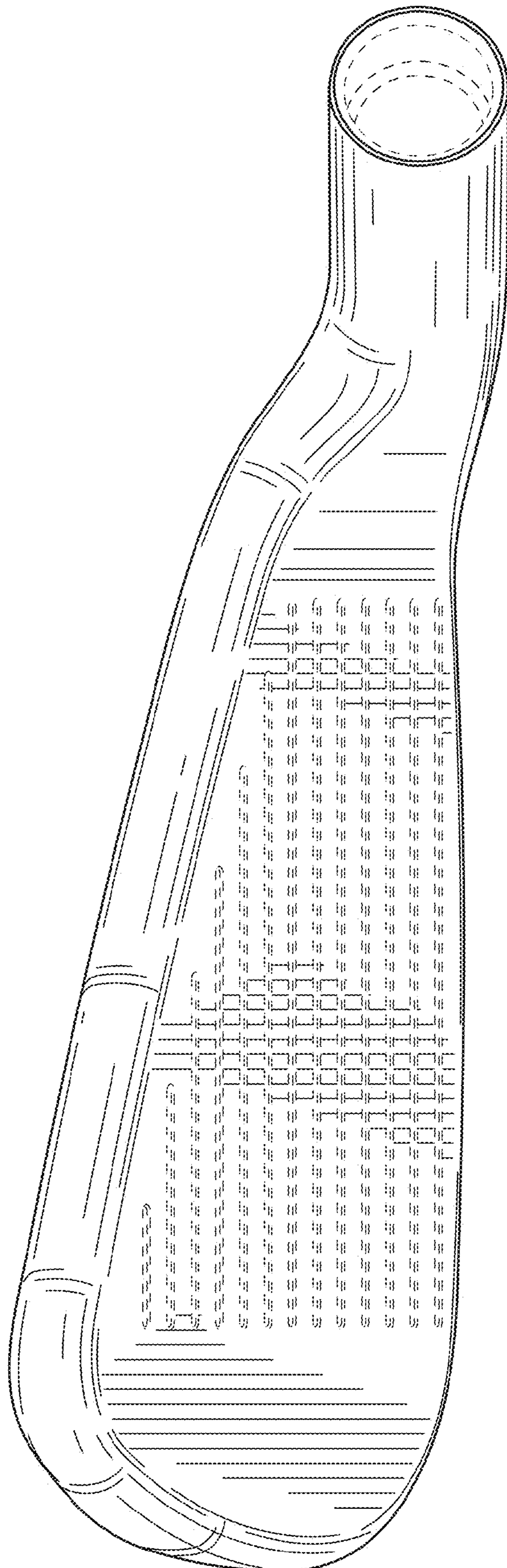


FIG. 5

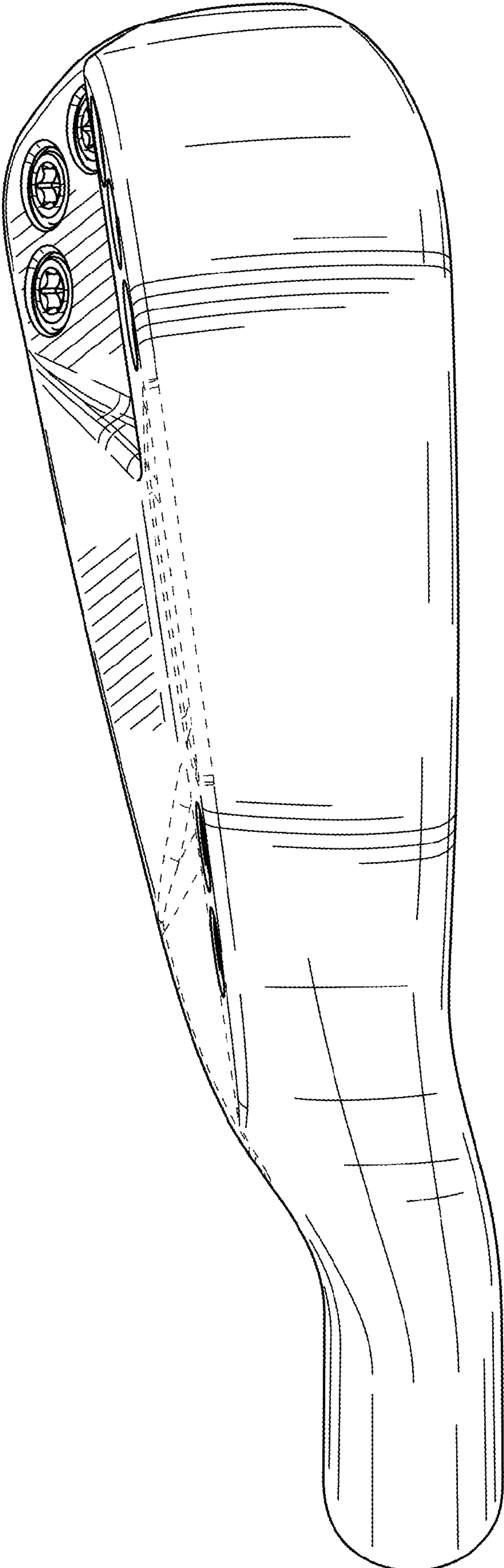


FIG. 6

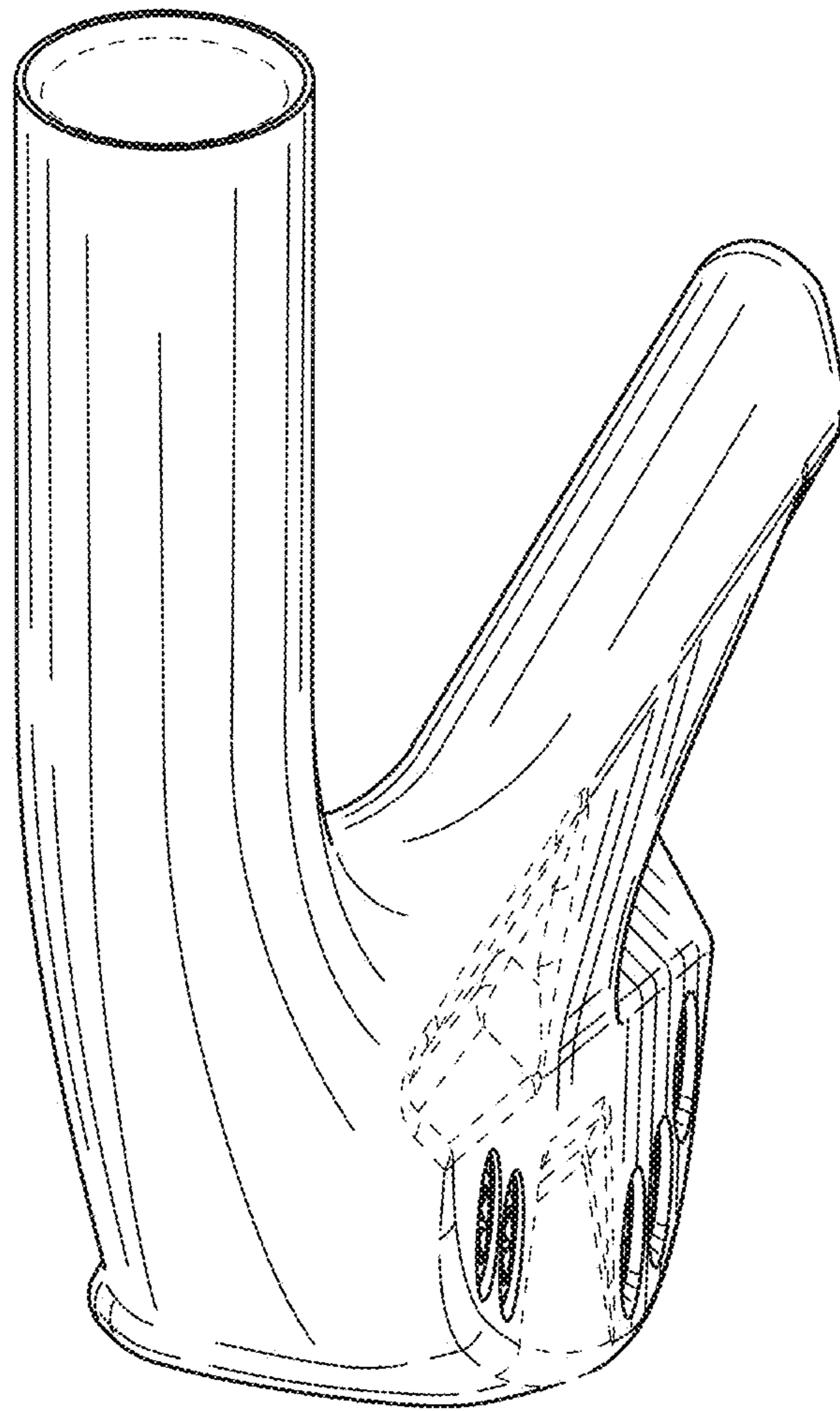


FIG. 7



FIG. 8