

US00D898139S

(12) **United States Design Patent**
Stearman

(10) **Patent No.:** **US D898,139 S**

(45) **Date of Patent:** **** Oct. 6, 2020**

(54) **COMBINED BALL THROWING AND DRINKING DEVICE**

(71) Applicant: **Jeffrey Stearman**, Huntington Beach, CA (US)

(72) Inventor: **Jeffrey Stearman**, Huntington Beach, CA (US)

(**) Term: **15 Years**

(21) Appl. No.: **29/682,975**

(22) Filed: **Mar. 8, 2019**

(51) **LOC (12) Cl.** **21-02**

(52) **U.S. Cl.**
USPC **D21/722**

(58) **Field of Classification Search**
USPC D21/722, 724, 756-758; D30/160; D7/506, 507, 509, 543, 691
CPC A63B 59/30; A63B 59/20; A63B 60/00; A63B 60/46; A63B 65/00-127; A63B 67/086; A63B 67/16; A63B 67/165
See application file for complete search history.

D249,815 S 10/1978 Huelskamp
D284,342 S * 6/1986 Campbell D10/46.2
4,974,574 A * 12/1990 Cutlip F41B 3/00
124/5

4,995,374 A 2/1991 Black
5,018,746 A * 5/1991 Cardoza, Jr. A63B 67/002
473/474

D325,612 S 4/1992 Longo
D352,641 S 11/1994 Coquereau et al.
5,390,652 A * 2/1995 Minneman F41J 9/28
124/5

5,437,488 A 8/1995 Richmond et al.
D374,702 S * 10/1996 Parks D22/113
D402,167 S 12/1998 Durbin
D405,660 S 2/1999 Hansen et al.
D424,640 S * 5/2000 Oblack D21/722
6,076,829 A * 6/2000 Oblack A63B 60/12
273/317

6,477,745 B2 * 11/2002 Strebl A63B 60/12
24/3.12

D480,280 S 10/2003 Schulein
D484,938 S * 1/2004 Tu D21/789

(Continued)

Primary Examiner — Mitchell I. Siegel
(74) *Attorney, Agent, or Firm* — Cionca IP Law P.C.;
Marin Cionca

(56) **References Cited**

U.S. PATENT DOCUMENTS

1,535,029 A 4/1925 Murch
1,585,446 A 5/1926 Warwick
1,862,904 A 6/1932 Pearson
1,994,207 A 3/1935 Ahles
2,810,957 A 10/1957 Nelson
3,048,399 A 8/1962 Breitbach
3,108,807 A * 10/1963 Ruehle A63B 67/083
473/512

3,428,036 A 2/1969 Parker
3,442,544 A 5/1969 Faber
3,589,349 A 6/1971 Parker
3,611,996 A 10/1971 Wegner
D239,812 S 5/1976 Gould
4,085,936 A 4/1978 Patterson

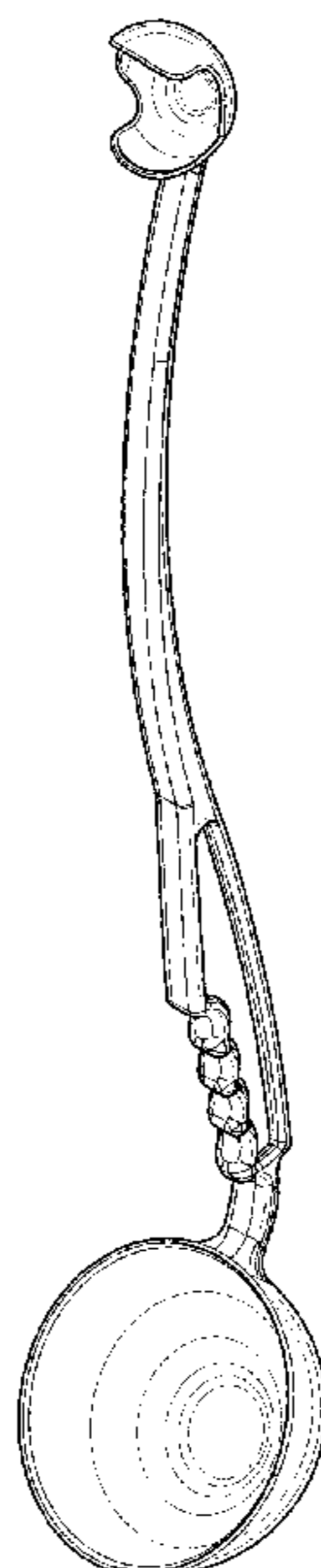
(57) **CLAIM**

The ornamental design for a combined ball throwing and drinking device, as shown and described.

DESCRIPTION

FIG. 1 is a perspective view of a combined ball throwing and drinking device showing the new design;
FIG. 2 is a top plan view thereof;
FIG. 3 is a bottom plan view thereof;
FIG. 4 is a front elevation view thereof;
FIG. 5 is a rear elevation view thereof; and,
FIG. 6 is a right side elevation view thereof, the left side being a mirror image of the same.

1 Claim, 4 Drawing Sheets



(56)

References Cited

U.S. PATENT DOCUMENTS

D525,326	S	7/2006	Green	
D539,859	S *	4/2007	Eldridge	D21/722
D554,717	S *	11/2007	McKinnell	D21/722
7,686,001	B2	3/2010	Fitt	
D630,277	S *	1/2011	McKinnell	D21/722
D637,248	S *	5/2011	Levin	D21/722
D640,338	S *	6/2011	Oblack	D21/722
D655,359	S *	3/2012	Thorogood	D21/722
D666,686	S *	9/2012	Burger	D21/722
D674,851	S *	1/2013	Osborne	D21/722
8,973,564	B1	3/2015	Saber et al.	
D759,907	S *	6/2016	Weinstein	D30/160
D782,588	S *	3/2017	Fryer	D21/722
D784,466	S *	4/2017	Evans	D21/722
D839,976	S *	2/2019	Legoski	D21/722
D863,476	S *	10/2019	Haarburger	D21/722
2002/0078533	A1	6/2002	Strebl	
2012/0048251	A1	3/2012	Oblack et al.	
2015/0342146	A1	12/2015	Tucker	
2017/0258047	A1	9/2017	Wills et al.	

* cited by examiner

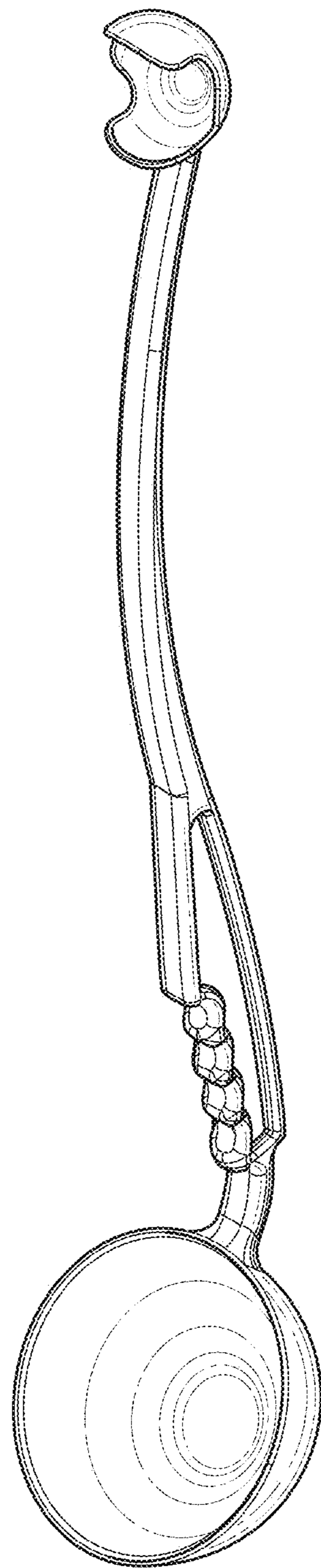


FIG. 1

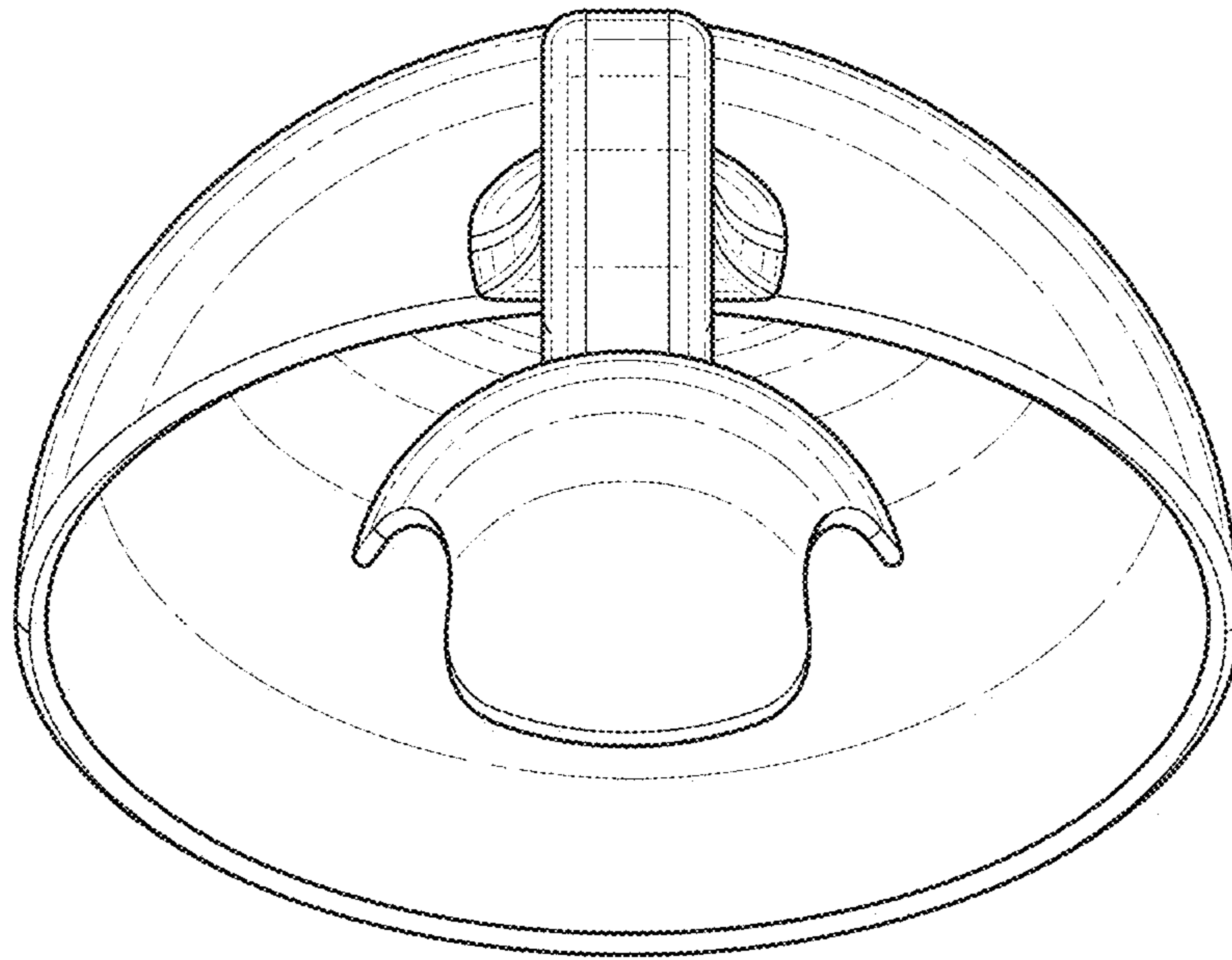


FIG. 2

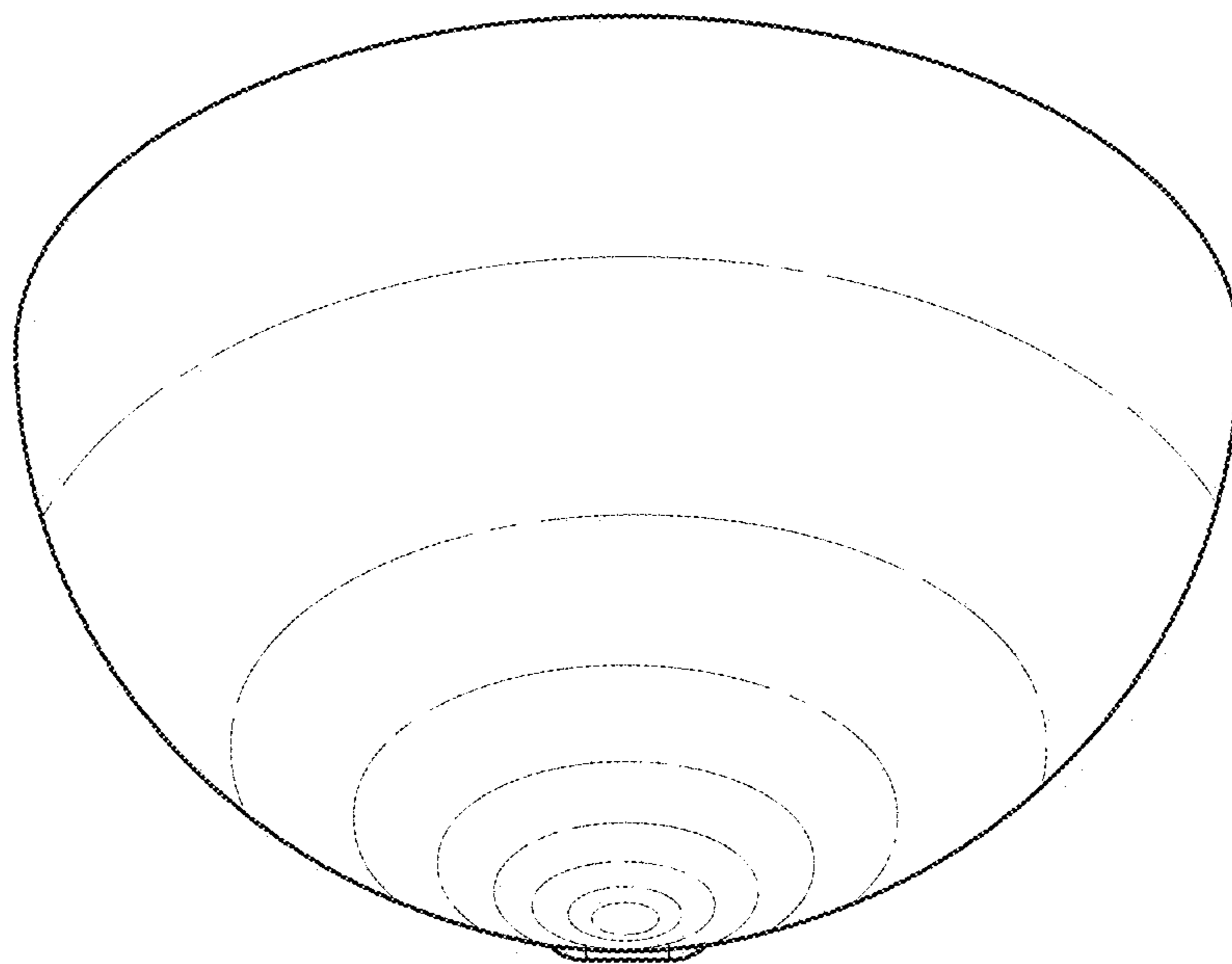


FIG. 3

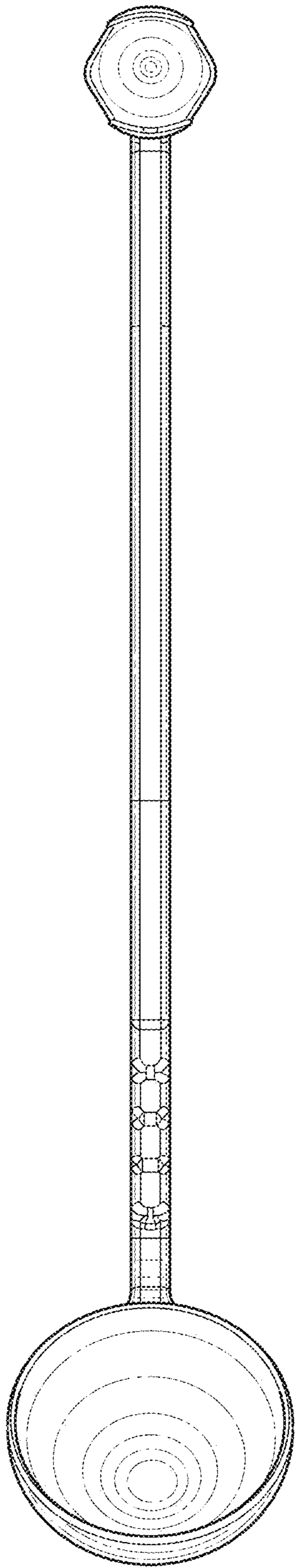


FIG. 4

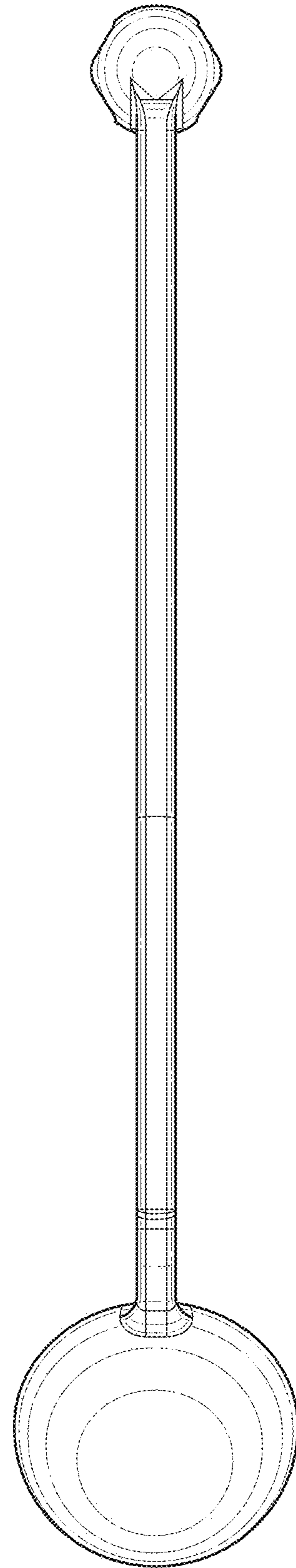


FIG. 5

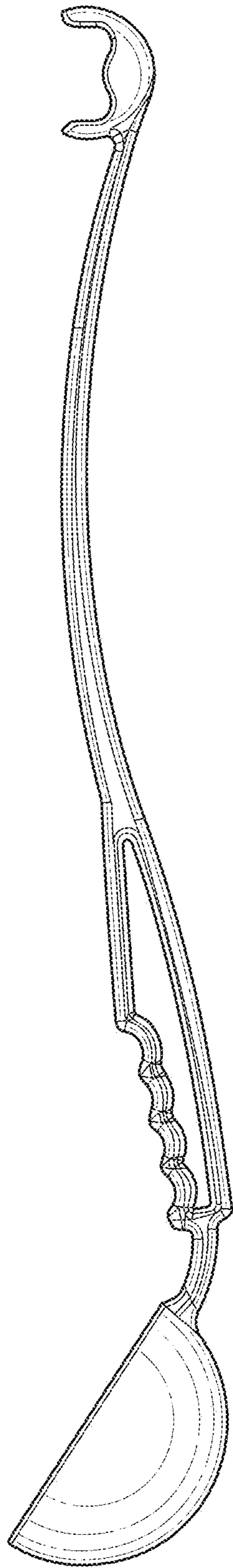


FIG. 6