



US00D898138S

(12) **United States Design Patent** (10) **Patent No.:** **US D898,138 S**
Jordan (45) **Date of Patent:** **** Oct. 6, 2020**

(54) **EXERCISE MAT**
(71) Applicant: **Christopher Robert Jordan**,
Greenwood, MO (US)
(72) Inventor: **Christopher Robert Jordan**,
Greenwood, MO (US)
(**) Term: **15 Years**
(21) Appl. No.: **29/727,531**
(22) Filed: **Mar. 11, 2020**
(51) **LOC (12) Cl.** **21-02**
(52) **U.S. Cl.**
USPC **D21/686**
(58) **Field of Classification Search**
USPC D21/686, 662, 671, 688, 694, 333, 698,
D21/699, 689, 687; D6/582, 591, 583,
D6/588, 589, 592, 685, 707.22, 587, 608,
D6/604, 601; 482/30, 52, 74, 23, 909,
482/148, 139, 146, 34, 93, 51, 66, 79,
482/132, 141, 172; D25/138, 62; 5/417;
D30/118; D19/9, 10; D24/188, 125
CPC A63B 21/4037; A63B 23/0458; A63B
2210/50; A63B 22/0664; A63B 22/001;
A63B 2208/0204; A63B 6/00; A47G
27/0237
See application file for complete search history.

D380,922 S * 7/1997 Perrotti D21/360
D393,499 S * 4/1998 Brown D21/662
D411,400 S * 6/1999 Yancey, Jr. D21/307
D418,356 S * 1/2000 Davis D6/610
D445,286 S * 7/2001 Rhyne D6/610
D457,373 S 5/2002 Prinzmetal
6,387,013 B1 * 5/2002 Marquez A63B 6/00
473/278
D472,092 S * 3/2003 Mendis D6/585
D472,288 S * 3/2003 Grabowski D21/792
D501,239 S * 1/2005 Bodor D21/792
D505,705 S * 5/2005 Moriarity D21/780
D509,873 S * 9/2005 Dias D21/792
D511,920 S * 11/2005 Bosworth D6/582
D513,774 S * 1/2006 Nudo D21/698
D521,096 S * 5/2006 Pelz D21/792
7,045,197 B2 * 5/2006 Harris E04F 21/04
33/1 B
D535,345 S * 1/2007 Davis D21/792
(Continued)

Primary Examiner — Ryan Harvey
(74) *Attorney, Agent, or Firm* — Donna Denise Mashburn
Chapman; Mashburn Law Office, LLC

(57) **CLAIM**

The ornamental design for an exercise mat, as shown and described.

DESCRIPTION

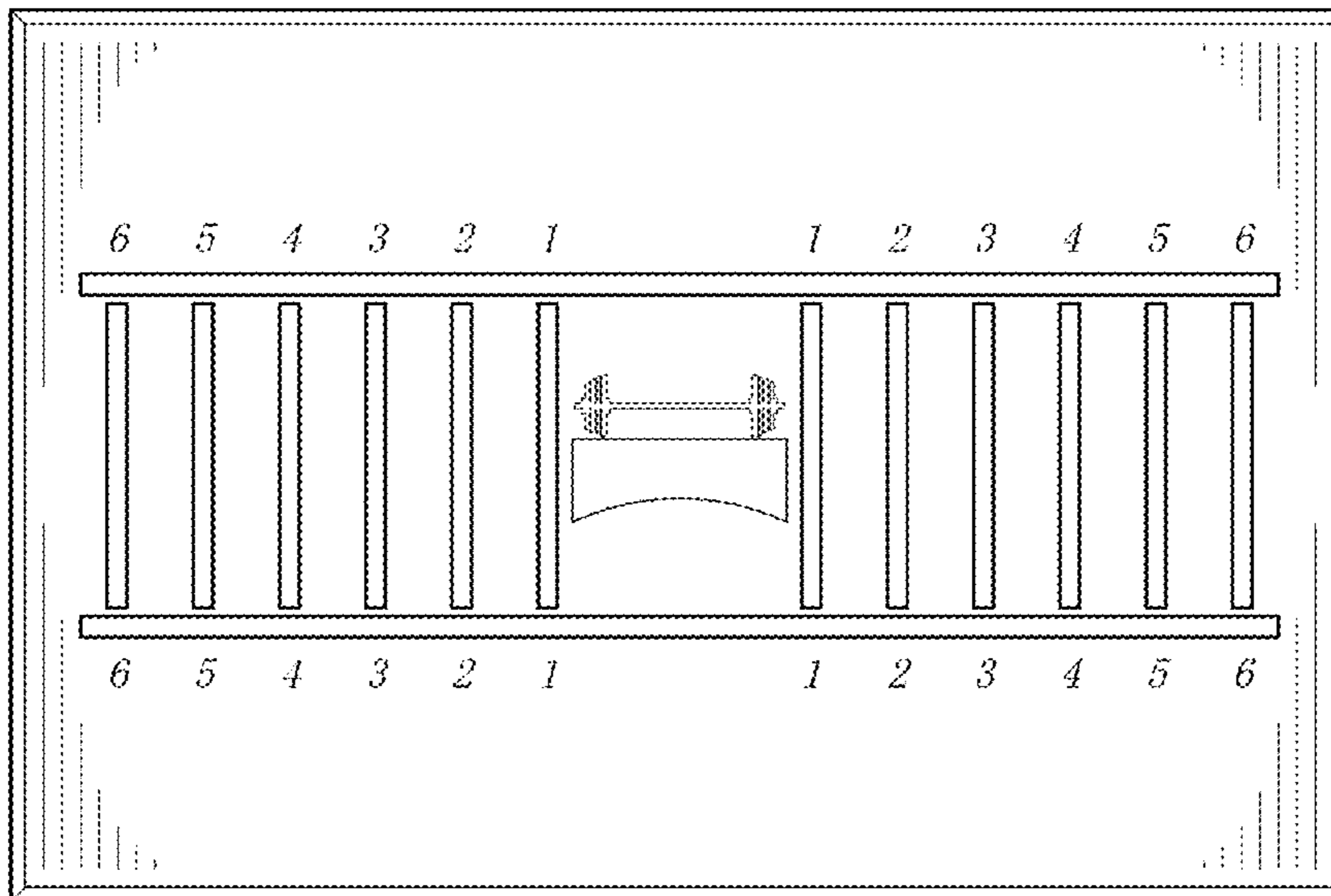
FIG. 1 is a perspective view of an exercise mat;
FIG. 2 is a top view of the exercise mat shown in FIG. 1;
FIG. 3 is a bottom view of the exercise mat shown in FIG. 1;
FIG. 4 is a right side view of the exercise mat shown in FIG. 1; and,
FIG. 5 is front view of the exercise mat shown in FIG. 1.
The right side view and the left side view are identical. The front view and the rear view are identical.
The top surface of the design is a continuous flat and planar surface and has no recesses or depressions.

1 Claim, 4 Drawing Sheets

(56) **References Cited**

U.S. PATENT DOCUMENTS

1,756,380 A * 4/1930 Osborn A47G 27/0225
428/71
D230,539 S * 3/1974 Aires D6/597
D282,996 S * 3/1986 Bosenberg D6/582
5,173,346 A * 12/1992 Middleton A61G 13/102
428/53
D350,253 S * 9/1994 Livingstone D6/582
D355,226 S * 2/1995 Wadley D21/686
D373,148 S * 8/1996 Crow D21/357



(56)

References Cited

U.S. PATENT DOCUMENTS

D539,586 S *	4/2007	Banig	D6/610	D790,877 S *	7/2017	Blitstein	D6/591
D540,603 S *	4/2007	Stern	D6/591	D791,501 S *	7/2017	Nguyen	D21/686
D554,208 S *	10/2007	Palaszek	D21/662	D798,632 S *	10/2017	Wilczek	D6/582
D557,051 S *	12/2007	Adoboe	D6/582	9,776,033 B2 *	10/2017	Fasullo	A63B 21/4037
7,465,263 B1 *	12/2008	Conrad	A63B 21/4037 434/393	D802,065 S *	11/2017	Bertoncello	D21/686
D584,093 S	1/2009	Drumm		D805,811 S *	12/2017	Armitage	D6/582
D603,641 S *	11/2009	Hakansson	D6/583	D807,077 S *	1/2018	Springer	D6/582
D615,792 S	5/2010	Leigh		D829,834 S *	10/2018	Derwinger	D21/662
D619,844 S	7/2010	Johnson		D847,279 S	4/2019	Jordan	
D621,454 S *	8/2010	Ohara	D21/662	10,315,065 B1 *	6/2019	Soba	A63B 21/4035
D632,119 S *	2/2011	Service	D21/662	10,493,350 B2 *	12/2019	DeMarch	A63B 71/0622
D649,868 S *	12/2011	Johnson	D8/403	10,500,438 B1 *	12/2019	Lemire	A63B 26/003
D652,663 S *	1/2012	Davis	D6/588	D883,711 S *	5/2020	Hughes	D6/583
D655,757 S *	3/2012	Robertson	D21/302	2001/0034288 A1	10/2001	Howlett-Campanella	
D657,987 S *	4/2012	Lane	D6/582	2002/0142888 A1 *	10/2002	Marques	A63B 6/00 482/23
D658,419 S *	5/2012	Anderson	D6/588	2003/0017915 A1	1/2003	Prinzmetal	
D667,666 S	9/2012	Guarrasi		2004/0214692 A1	10/2004	Koenig	
D671,784 S *	12/2012	Gallie, II	D6/582	2004/0229731 A1 *	11/2004	Mitchell	A63B 6/00 482/23
D678,703 S	3/2013	Ntoukas		2005/0192158 A1	9/2005	Edwards	
D679,532 S *	4/2013	Douglas	D6/588	2005/0250631 A1 *	11/2005	Su-Tuan	A63B 6/00 482/148
8,499,383 B1 *	8/2013	Ungaro	A63B 23/035 482/23	2008/0214361 A1	9/2008	Oster	
D699,978 S *	2/2014	Hasta	D6/582	2009/0011911 A1	1/2009	Lee	
D699,979 S	2/2014	Tamayo		2009/0110867 A1 *	4/2009	Feng Shen	A63B 6/00 428/71
D699,980 S	2/2014	Tamayo		2009/0181836 A1 *	7/2009	Schneider	A63B 6/00 482/140
D701,062 S *	3/2014	Kinsella	D6/582	2009/0276957 A1 *	11/2009	Boitet-Ball	A47G 27/0237 5/420
D702,970 S	4/2014	Coco		2010/0267535 A1 *	10/2010	Kieffer	A63B 21/4037 482/142
8,701,654 B2 *	4/2014	Newburger	A63B 21/065 482/130	2011/0035878 A1 *	2/2011	Rouse	A63B 21/4037 5/417
D707,057 S *	6/2014	Hasta	D6/582	2011/0111926 A1 *	5/2011	Goranson	A63B 6/00 482/23
D710,129 S *	8/2014	Armitage	D6/582	2012/0124739 A1 *	5/2012	Crowne	A47G 9/062 5/417
8,794,975 B2 *	8/2014	Davey	A63B 23/0244 434/236	2012/0233772 A1 *	9/2012	Wang	A47G 27/0237 5/417
D716,892 S *	11/2014	Schlosser	D21/792	2013/0180048 A1 *	7/2013	Saltzman	A63B 6/00 5/417
D733,461 S *	7/2015	Diaz	D6/592	2014/0237718 A1 *	8/2014	Burch	A63B 21/4037 5/417
D734,063 S *	7/2015	Evert	D6/588	2015/0005145 A1 *	1/2015	Zovich	A63B 23/03516 482/141
D739,161 S	9/2015	Seymour		2016/0129300 A1 *	5/2016	Moore	B32B 9/045 428/35.5
D746,386 S *	12/2015	Mahoney	D21/671				
9,211,437 B2	12/2015	Soba					
D766,620 S	9/2016	Gretz					
D770,201 S *	11/2016	Dieckhaus	D6/582				
D778,375 S *	2/2017	Stein	D21/686				
D781,972 S *	3/2017	Bertoncello	D21/686				
D782,585 S	3/2017	Bertoncello					
D783,755 S *	4/2017	Hodson	D21/797				
D785,105 S *	4/2017	Armitage	D21/686				
9,623,277 B2 *	4/2017	Thompson	A63B 21/4037				

* cited by examiner

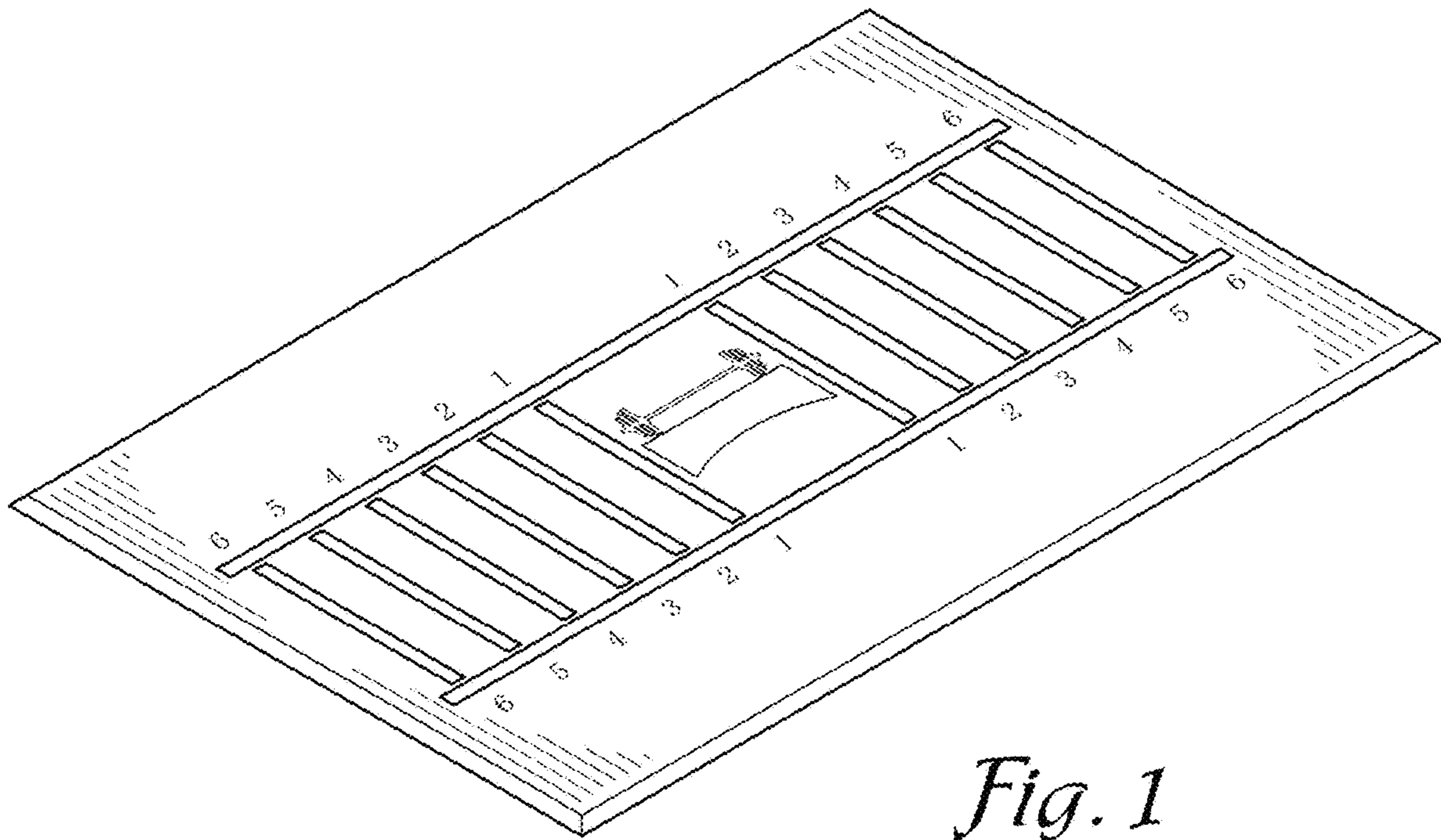


Fig. 1

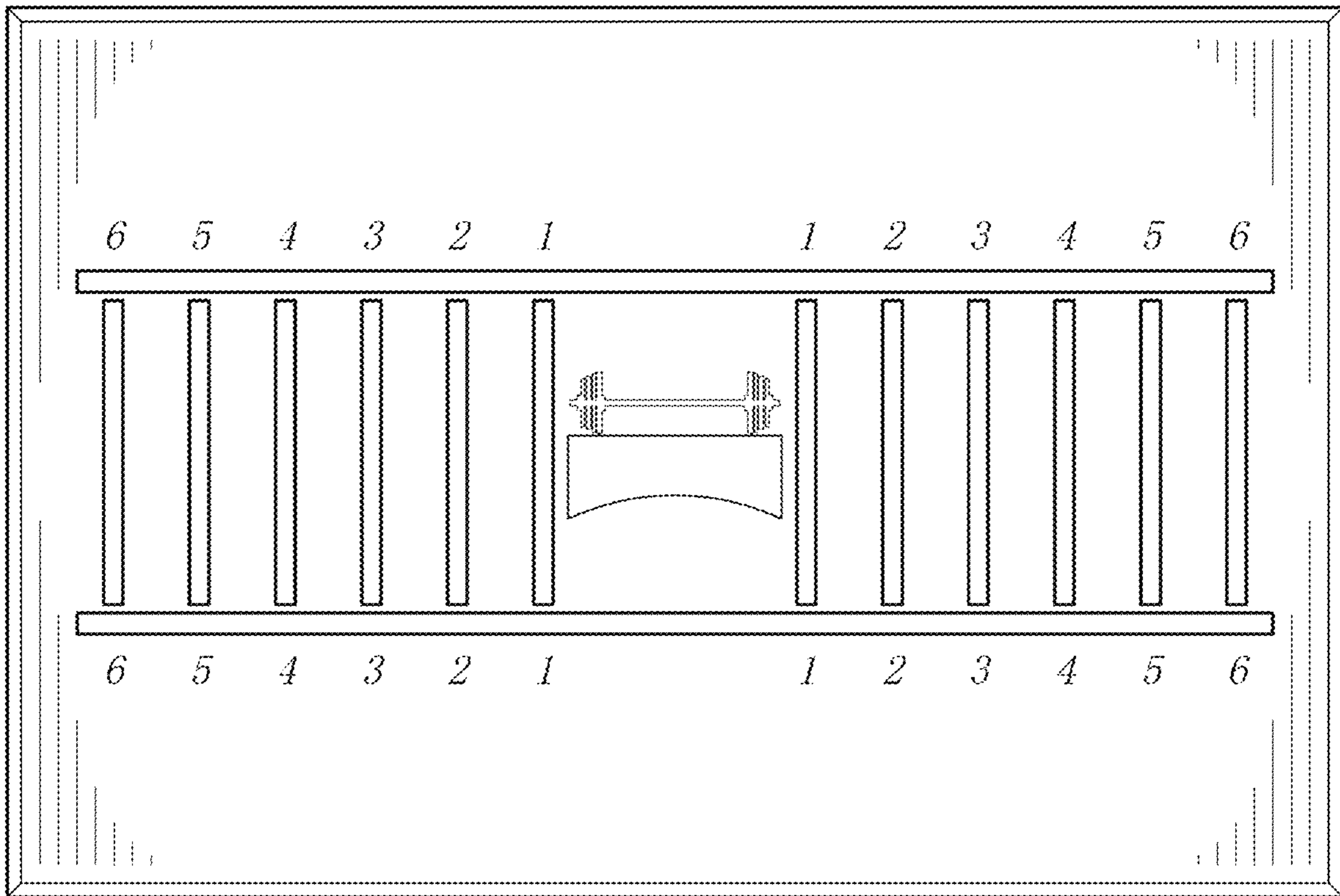


Fig. 2

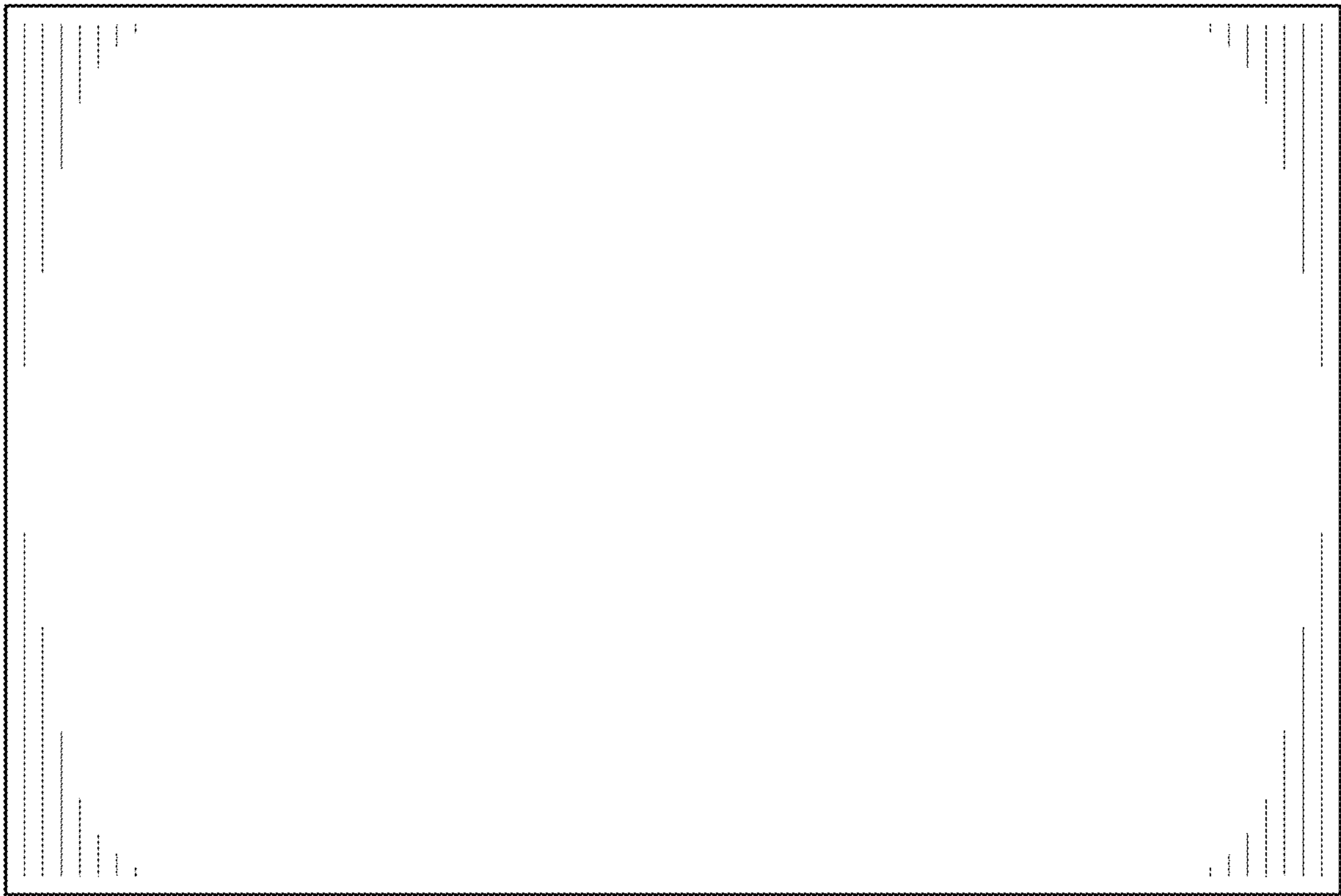


Fig. 3

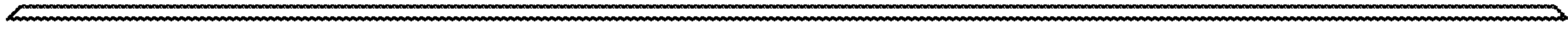


Fig. 4



Fig. 5