

US00D898137S

(12) **United States Design Patent** (10) **Patent No.:** **US D898,137 S**
Carmichael et al. (45) **Date of Patent:** **** Oct. 6, 2020**

(54) **IMPLEMENT FOR EXERCISE RACK**
(71) Applicant: **Coulter Ventures LLC**, Columbus, OH (US)
(72) Inventors: **James Carmichael**, Hilliard, OH (US); **Ahmik Jones**, Upper Arlington, OH (US); **Bill Henniger**, Columbus, OH (US); **Anthony Roberto**, Columbus, OH (US)
(73) Assignee: **Coulter Ventures, LLC.**, Columbus, OH (US)

4,856,775 A 8/1989 Colledge et al.
4,955,604 A * 9/1990 Pogue A63B 21/078 482/99
5,050,868 A 9/1991 Pearson
5,116,297 A 5/1992 Stonecipher
(Continued)

FOREIGN PATENT DOCUMENTS

EP 2345459 A1 7/2011
EP 3295998 A1 3/2018
(Continued)

OTHER PUBLICATIONS

Photo from <https://web.archive.org/web/20170112075250/https://mydynamicfitness.com>, dated Jan. 12, 2017.
(Continued)

(**) Term: **15 Years**
(21) Appl. No.: **29/661,790**
(22) Filed: **Aug. 30, 2018**
(51) **LOC (12) Cl.** **21-02**
(52) **U.S. Cl.**
USPC **D21/686**
(58) **Field of Classification Search**
USPC 312/351.1, 351.3, 351.5; 482/38, 92, 94, 482/98, 99, 101, 104, 120, 133; D21/662, 673, 686, 691, 694, 798, 826; D25/62, 66, 68, 119, 126, 136; D6/329; D8/323, 354
CPC A63B 21/00047; A63B 26/00; A63B 5/00; A63B 2225/093
See application file for complete search history.

Primary Examiner — Cynthia Ramirez
Assistant Examiner — Michael A Maharajh
(74) *Attorney, Agent, or Firm* — Banner & Witcoff, Ltd.

(57) **CLAIM**

The ornamental design for an implement for exercise rack, as shown and described.

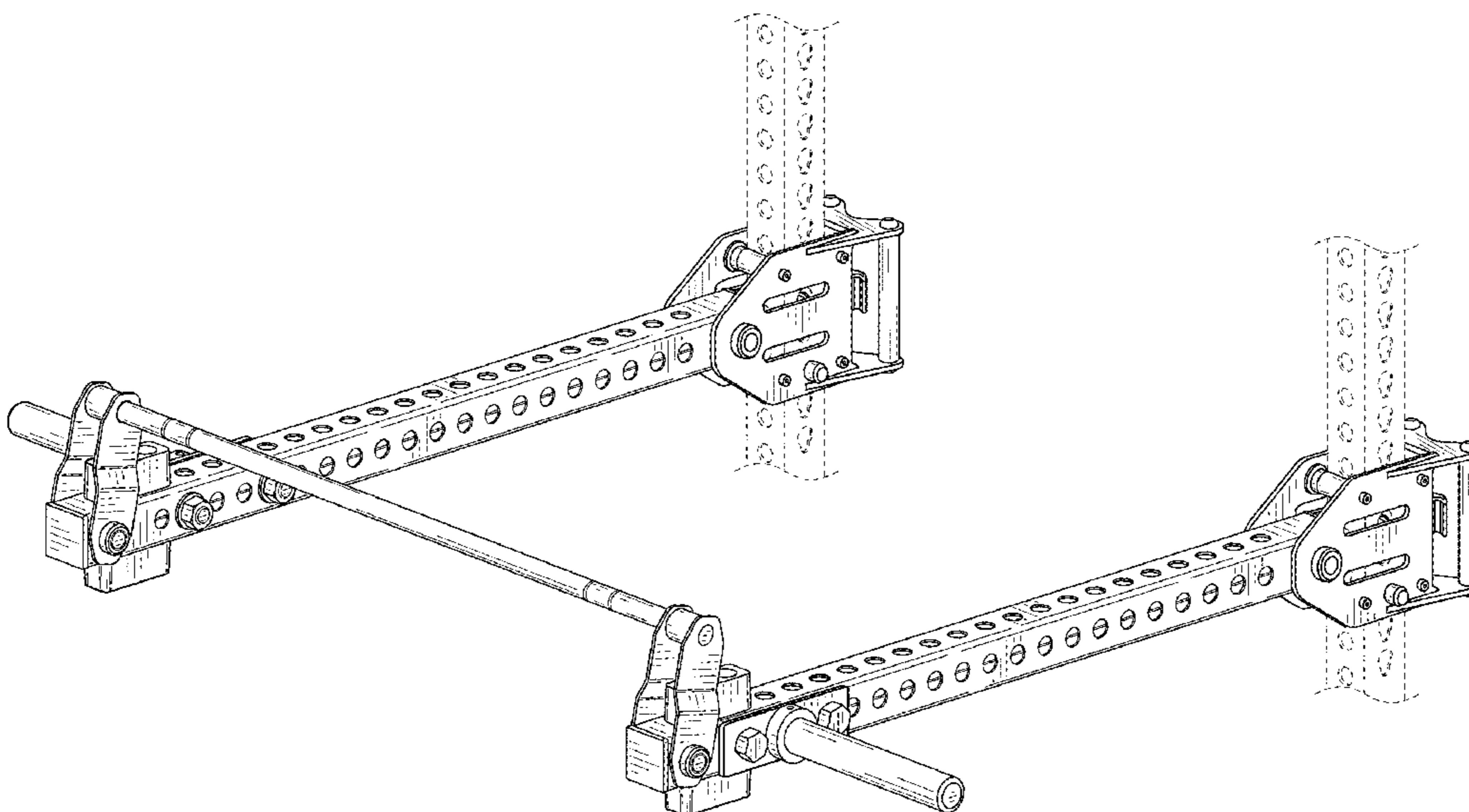
DESCRIPTION

FIG. 1 is a top, front, left perspective view of an implement for exercise rack showing our design;
FIG. 2 is a front view thereof;
FIG. 3 is a rear view thereof;
FIG. 4 is a left side view thereof;
FIG. 5 is a right side view thereof;
FIG. 6 is a top view thereof;
FIG. 7 is a bottom view thereof; and,
FIG. 8 is a top, front, right perspective view thereof.
The broken lines in the drawings are for the purpose of illustrating environmental structure, which forms no part of the claimed design.

1 Claim, 6 Drawing Sheets

(56) **References Cited**
U.S. PATENT DOCUMENTS

2,067,403 A * 1/1937 Lea E04B 1/24 52/481.1
4,286,782 A 9/1981 Fuhrhop
4,339,125 A 7/1982 Uyeda et al.
4,492,375 A 1/1985 Connelly
4,582,320 A 4/1986 Shaw
4,635,934 A 1/1987 Roethke



(56)

References Cited

U.S. PATENT DOCUMENTS

5,135,453 A * 8/1992 Sollenberger A63B 21/155
482/101
5,184,992 A * 2/1993 Banks A63B 21/06
482/98
D358,623 S * 5/1995 Macasieb D21/691
5,529,558 A 6/1996 Koenig
5,569,133 A 10/1996 Vittone
5,722,922 A 3/1998 Watterson et al.
5,971,897 A 10/1999 Olson et al.
6,217,483 B1 4/2001 Kallassy
6,238,323 B1 5/2001 Simonson
6,261,205 B1 7/2001 Elefson
6,394,935 B1 5/2002 Lake
6,447,430 B1 9/2002 Webb et al.
6,482,139 B1 11/2002 Haag
D550,790 S 9/2007 Staten
D550,791 S 9/2007 Rogers et al.
D550,792 S 9/2007 Rogers et al.
D551,306 S 9/2007 Rogers et al.
7,488,277 B1 2/2009 Knapp
7,549,950 B1 6/2009 Lundquist et al.
8,057,368 B1 11/2011 Lyszczarz
8,096,926 B1 1/2012 Batca
8,172,733 B1 5/2012 Batca
8,827,875 B2 * 9/2014 Schiano A63B 21/078
482/92
9,011,301 B2 4/2015 Balandis et al.
9,028,381 B2 5/2015 Mestemaker
9,289,638 B2 3/2016 Towley, III et al.
9,302,139 B2 4/2016 Habing et al.
9,421,413 B2 8/2016 Staten et al.
D769,991 S * 10/2016 Thomas D21/686
D772,356 S * 11/2016 Gregory D21/686
D806,808 S * 1/2018 Gregory D21/686
D808,475 S 1/2018 Meredith et al.
D849,160 S * 5/2019 Lau D21/686
D855,720 S * 8/2019 Kuka D21/686
2003/0115955 A1 6/2003 Keiser
2003/0134723 A1 7/2003 Greenland
2005/0054493 A1 3/2005 Skilken et al.
2005/0202941 A1 9/2005 Vaes
2006/0040799 A1 * 2/2006 Pompile A63B 21/0552
482/92
2006/0183607 A1 8/2006 Collias
2006/0252615 A1 11/2006 Melcer
2007/0054785 A1 3/2007 Drechsler
2007/0155595 A1 7/2007 Rogers et al.
2007/0155596 A1 7/2007 Rogers et al.
2008/0113852 A1 * 5/2008 Caldwell A63B 21/00047
482/133
2009/0143203 A1 6/2009 Knapp
2010/0216610 A1 8/2010 Gedeon-Janvier
2010/0292057 A1 11/2010 Dunn
2012/0289384 A1 11/2012 Staten et al.

2012/0329613 A1 * 12/2012 Schiano A63B 21/078
482/94
2013/0035220 A1 2/2013 Adams
2013/0296143 A1 11/2013 Staten et al.
2013/0296146 A1 11/2013 Staten et al.
2014/0087928 A1 3/2014 Luedeka
2014/0256517 A1 9/2014 Poppinga
2015/0016919 A1 * 1/2015 Tambornino F16B 35/06
411/366.1
2015/0083681 A1 3/2015 Childs
2015/0182773 A1 7/2015 Olson et al.
2015/0290488 A1 * 10/2015 Hopperstad A63B 21/078
482/38
2015/0352395 A1 12/2015 Gregory
2016/0023035 A1 * 1/2016 Meyer A63B 1/00
482/38
2016/0213967 A1 7/2016 Habing et al.
2017/0007877 A1 1/2017 Leipheimer
2017/0189736 A1 * 7/2017 Martin A63B 21/4029
2017/0246496 A1 8/2017 Nelson et al.
2018/0243597 A1 * 8/2018 Schlegel A63B 69/345
2019/0240521 A1 * 8/2019 Staten A63B 1/00
2019/0275363 A1 * 9/2019 Jones A63B 23/03508

FOREIGN PATENT DOCUMENTS

FR 2630652 A1 11/1989
GB 2346808 A 8/2000
KR 200466889 Y1 5/2013
KR 20140060130 A 5/2014
WO 9842411 A1 10/1998
WO 201893699 A1 5/2018
WO 2018208772 A1 11/2018

OTHER PUBLICATIONS

Screenshots from <https://www.youtube.com/watch?v=A4xv8OhVbzI>, dated May 17, 2018.
Product promotional materials for Dynamic Fitness Ultra Pro Rack Series from <https://web.archive.org/web/20170112075250/https://mydynamicfitness.com>, dated Jan. 12, 2017.
Product listing for Rogue Monster Lever Arms from <https://web.archive.org/web/20160529110340/http://www.roguefitness.com/monster-lever-arms>, dated May 29, 2016.
Product listing for Rogue Monster Lever Arms from <https://web.archive.org/web/20161111082206/http://www.roguefitness.com/monster-lever-arms>, dated Nov. 11, 2016.
Jul. 23, 2019—(WO) International Search Report & Written Opinion—App PCT/US2019/021017.
Sorinex Exercise Equipment: “Base camp jammer arms adjustable attachment point”, Feb. 27, 2018 (Feb. 27, 2018), pp. 1-3, Retrieved from the Internet: URL:<https://www.facebook.com/sorinex.strength/videos/base-camp-jammer-arms-adjustable-attachment-point/10158262519208647/>.

* cited by examiner

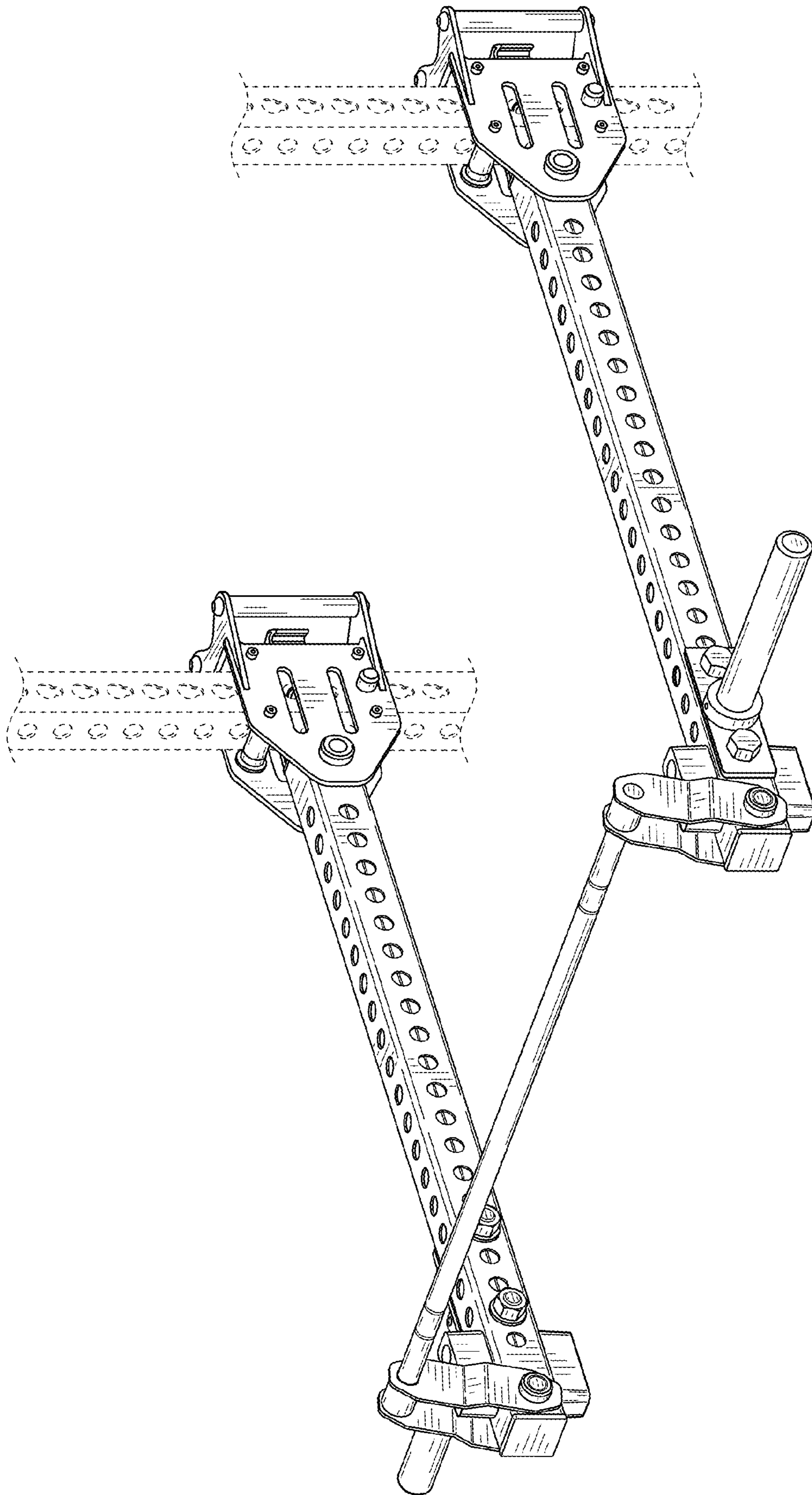


FIG. 1

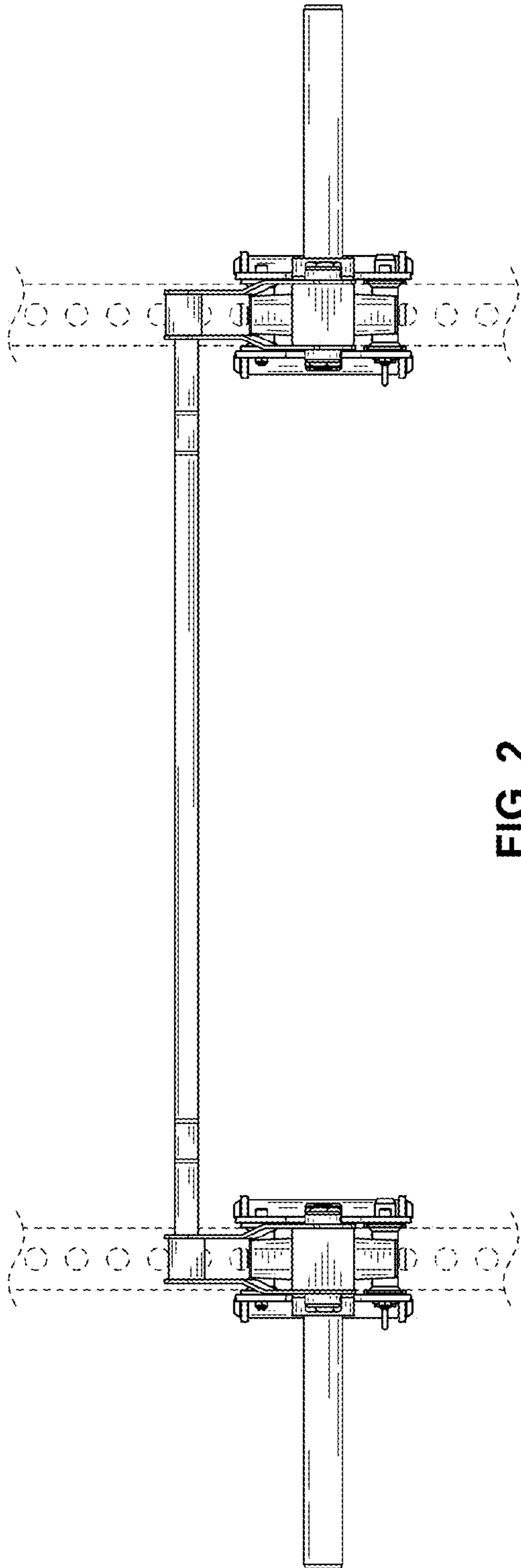


FIG. 2

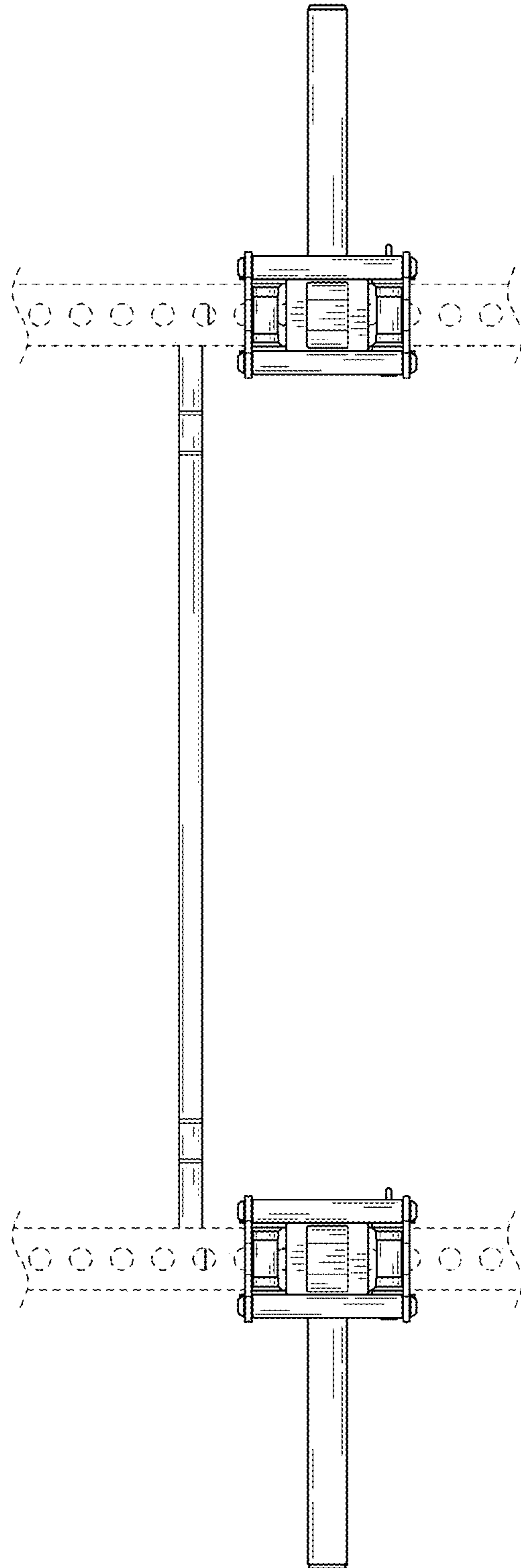
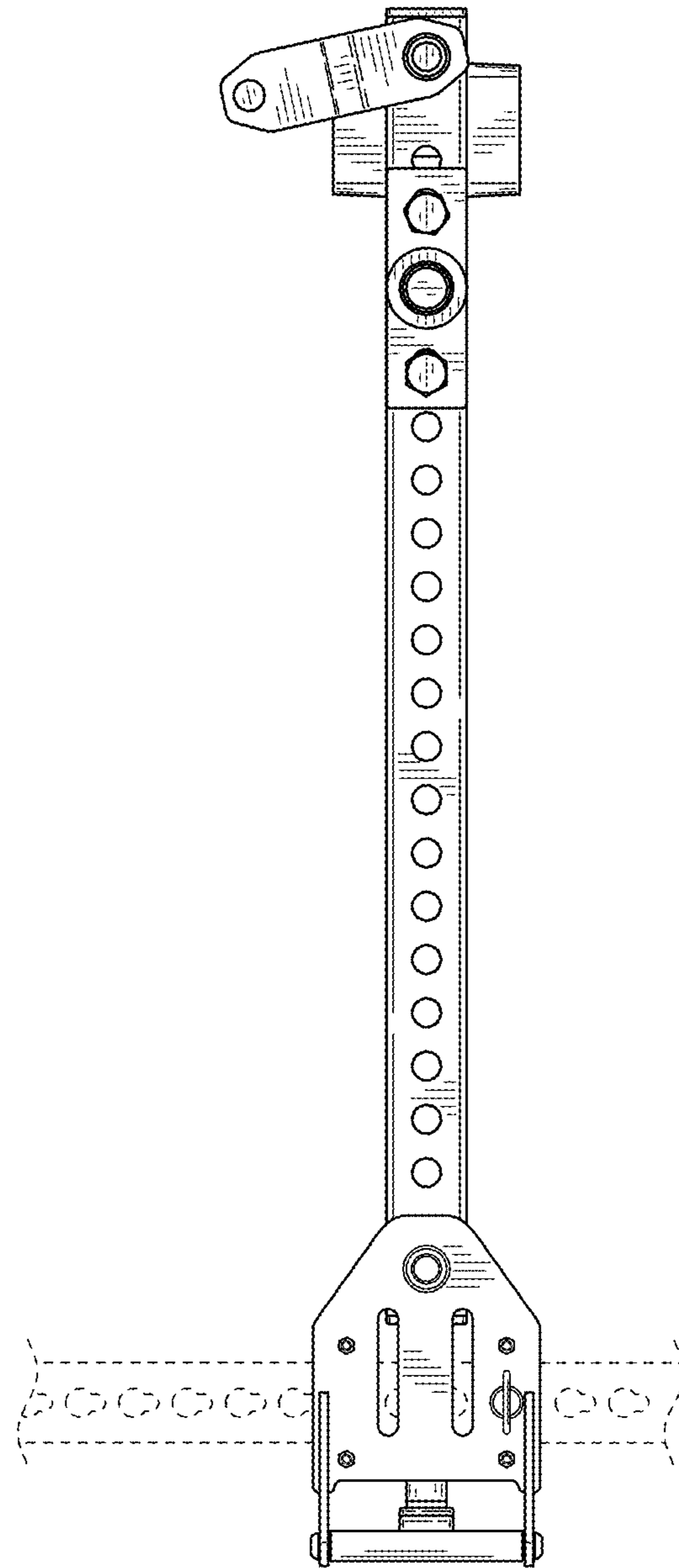
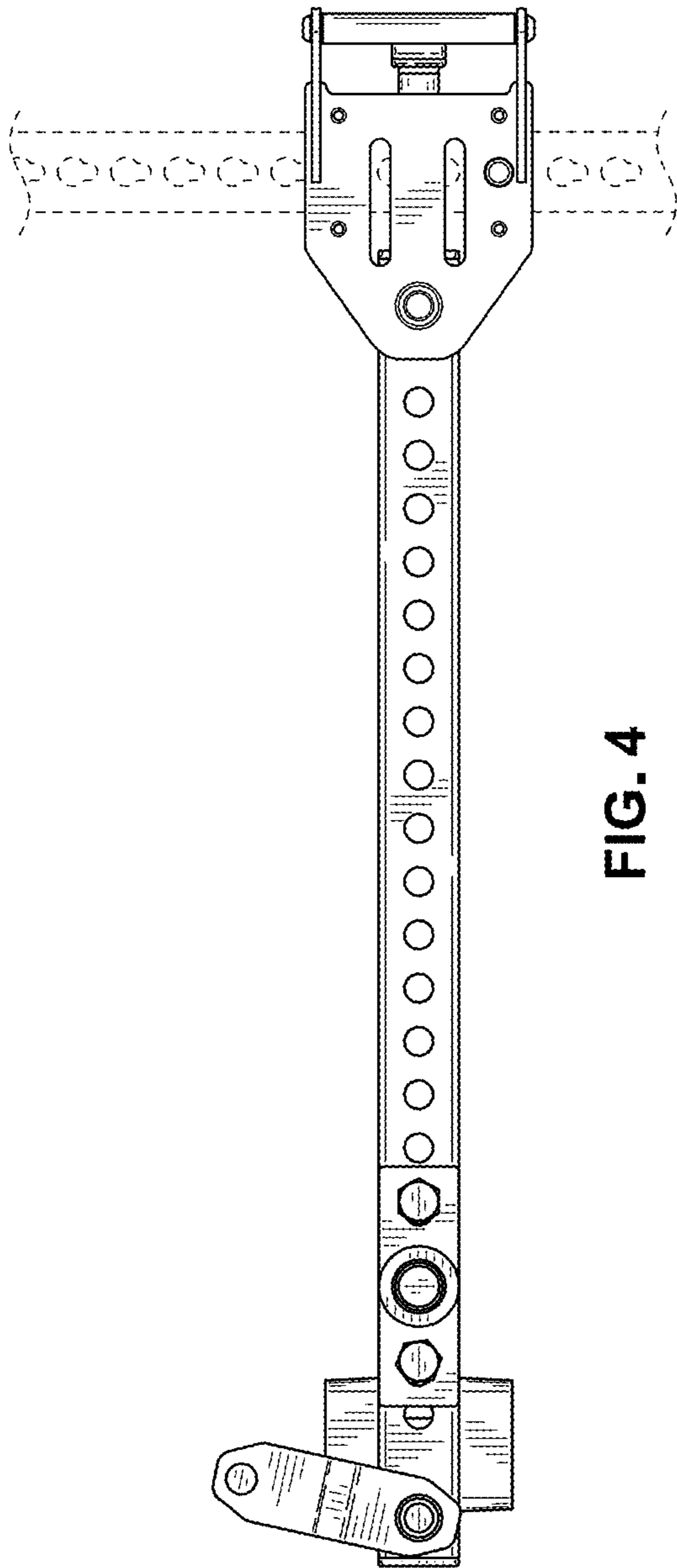


FIG. 3



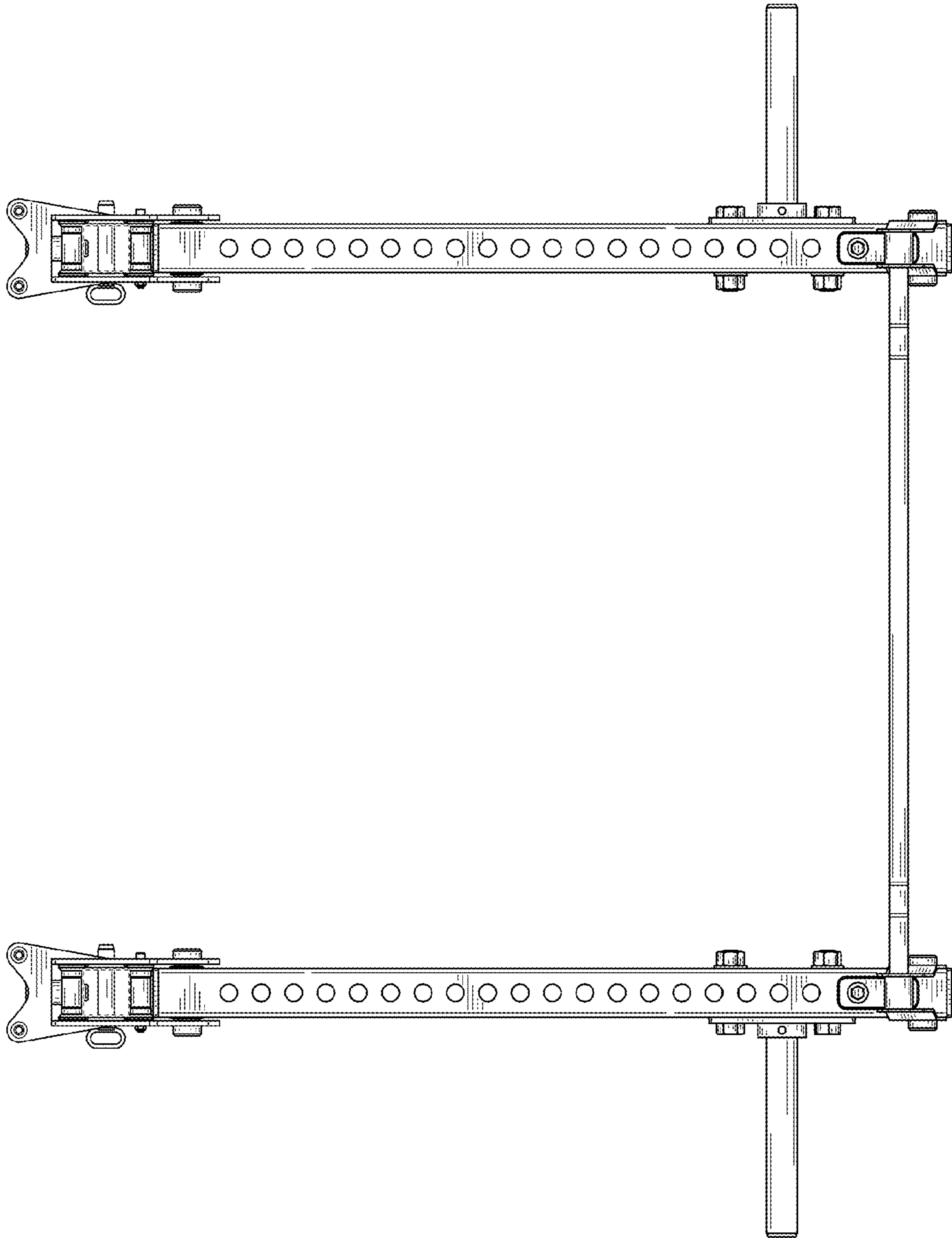


FIG. 6

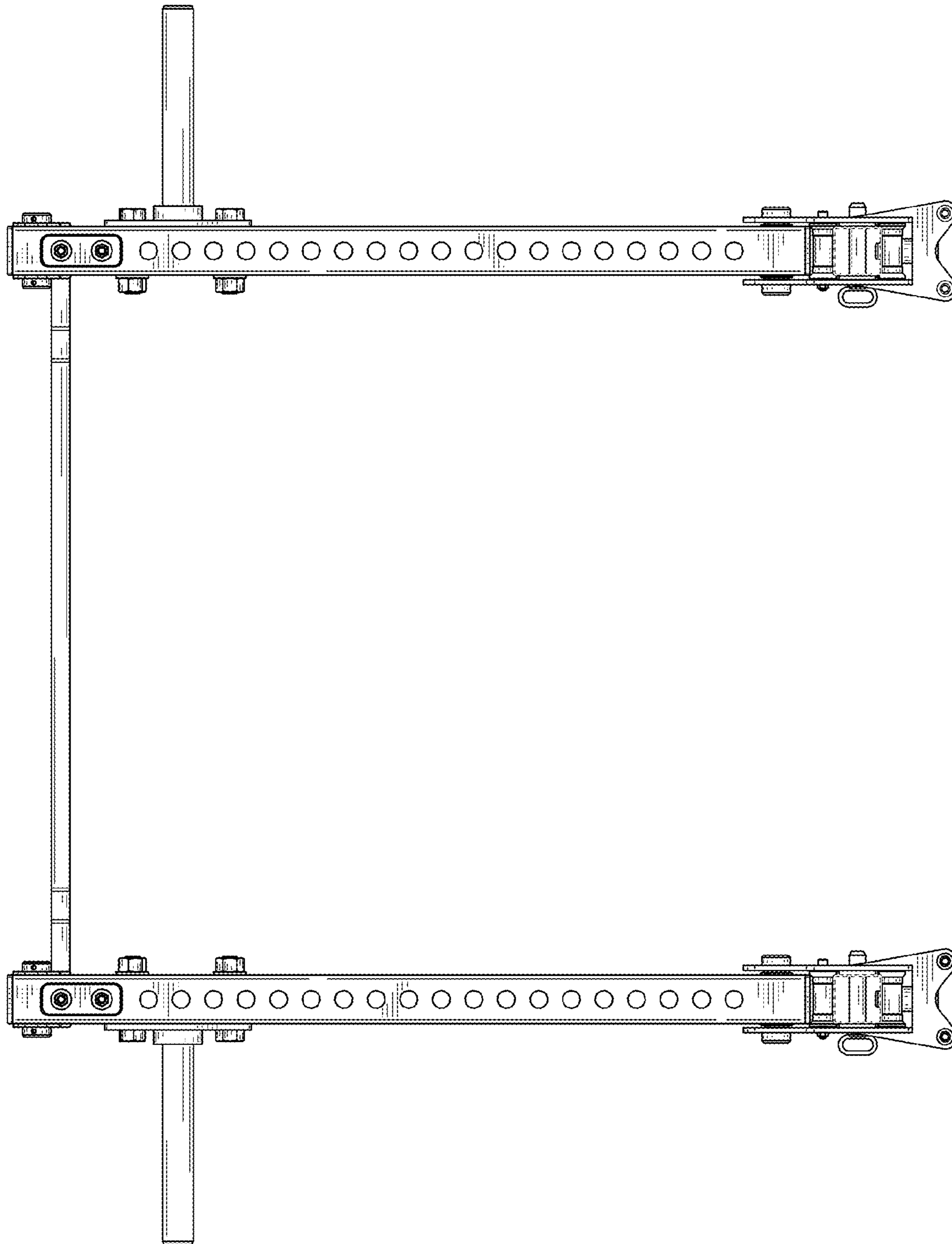


FIG. 7

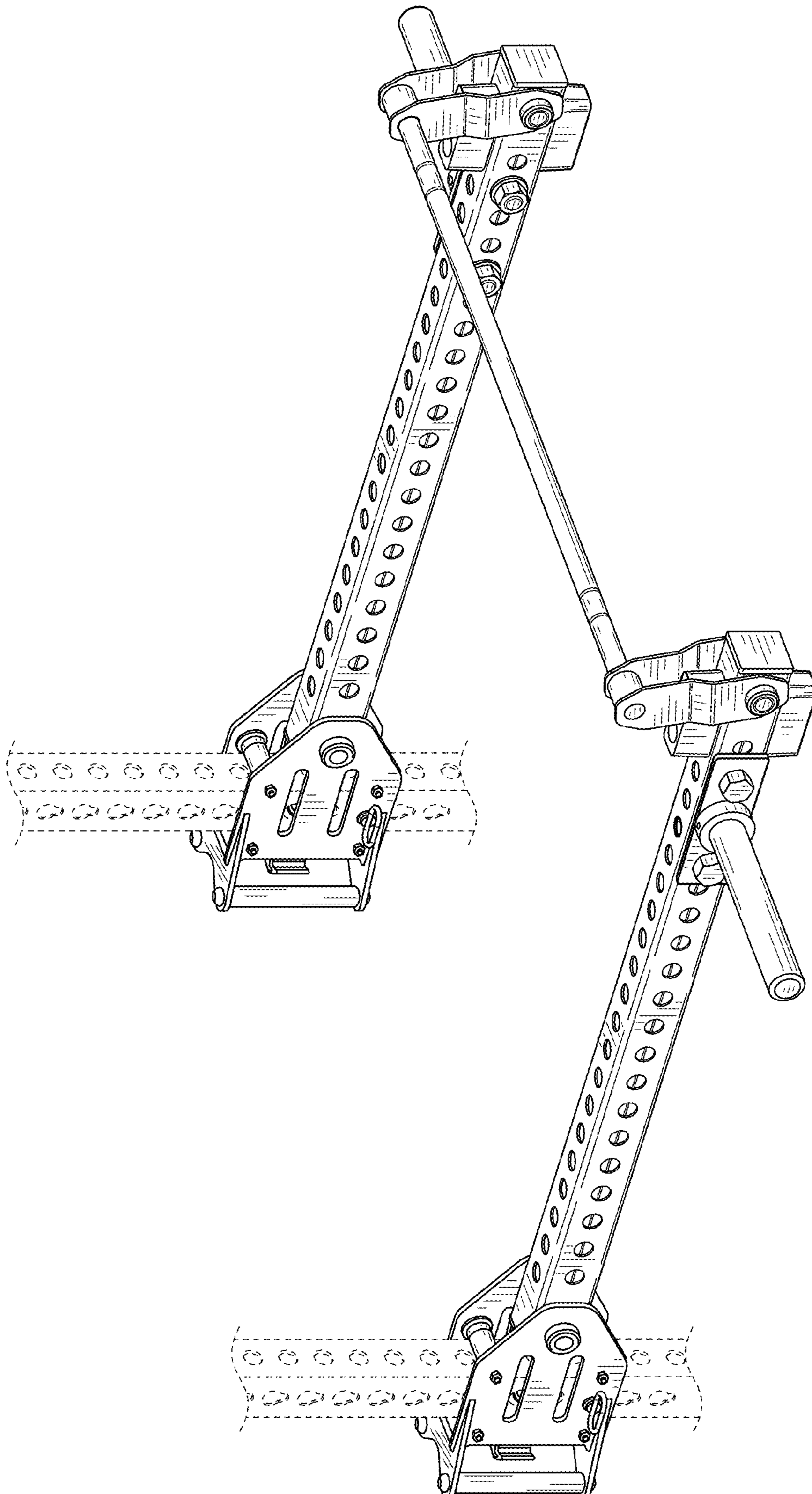


FIG. 8