



US00D898136S

(12) **United States Design Patent** (10) **Patent No.:** **US D898,136 S**
Carmichael et al. (45) **Date of Patent:** **** Oct. 6, 2020**

(54) **IMPLEMENT FOR EXERCISE RACK** 4,955,604 A * 9/1990 Pogue A63B 21/078
482/106

(71) Applicant: **Coulter Ventures LLC**, Columbus, OH (US) 5,050,868 A 9/1991 Pearson
5,116,297 A 5/1992 Stonecipher
(Continued)

(72) Inventors: **James Carmichael**, Hilliard, OH (US);
Ahmik Jones, Upper Arlington, OH (US); **Bill Henniger**, Columbus, OH (US); **Anthony Roberto**, Columbus, OH (US)

FOREIGN PATENT DOCUMENTS

EP 2345459 A1 7/2011
EP 3295998 A1 3/2018
(Continued)

(73) Assignee: **Coulter Ventures, LLC.**, Columbus, OH (US)

OTHER PUBLICATIONS

Photo from <https://web.archive.org/web/20170112075250/https://mydynamicfitness.com>, dated Jan. 12, 2017.

(Continued)

(**) Term: **15 Years**

Primary Examiner — Cynthia Ramirez

Assistant Examiner — Michael A Maharajh

(21) Appl. No.: **29/661,402**

(74) *Attorney, Agent, or Firm* — Banner & Witcoff, Ltd.

(22) Filed: **Aug. 27, 2018**

(51) **LOC (12) Cl.** **21-02**

(52) **U.S. Cl.**
USPC **D21/686**

(57) **CLAIM**

The ornamental design for an implement for exercise rack, as shown and described.

(58) **Field of Classification Search**
USPC 312/351.1, 351.3, 351.5; 482/38, 92, 94,
482/98, 99, 101, 104, 120, 133;
D21/662, 673, 686, 691, 694, 798, 826;
D25/62, 66, 68, 119, 126, 136; D6/329;
D8/323, 354; 411/366.1

DESCRIPTION

FIG. 1 is a top, front, left perspective view of an implement for exercise rack showing our new design;
FIG. 2 is a front view thereof;
FIG. 3 is a rear view thereof;
FIG. 4 is a left side view thereof;
FIG. 5 is a right side view thereof;
FIG. 6 is a top view thereof;
FIG. 7 is a bottom view thereof; and,
FIG. 8 is a top, front, left perspective view shown in a condition of use thereof.

CPC A63B 21/00047; A63B 26/00; A63B 5/00;
A63B 2225/093

See application file for complete search history.

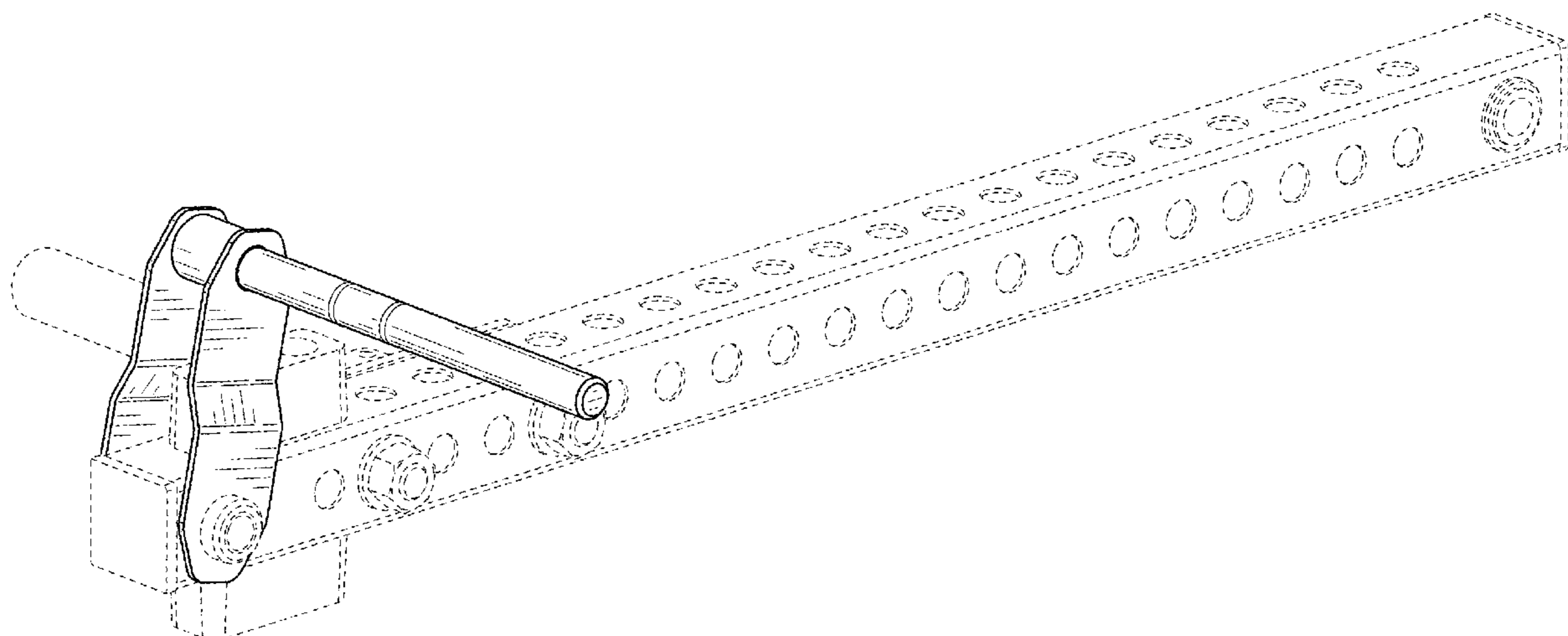
The broken lines in the drawings are for the purpose of illustrating environmental structure, which forms no part of the claim design.

(56) **References Cited**

U.S. PATENT DOCUMENTS

4,286,782 A 9/1981 Fuhrhop
4,339,125 A 7/1982 Uyeda et al.
4,492,375 A 1/1985 Connelly
4,582,320 A 4/1986 Shaw
4,635,934 A 1/1987 Roethke
4,856,775 A 8/1989 Colledge et al.

1 Claim, 6 Drawing Sheets



(56)

References Cited

U.S. PATENT DOCUMENTS

5,135,453 A * 8/1992 Sollenberger A63B 21/155
482/101
D358,623 S * 5/1995 Macasieb D21/691
5,529,558 A 6/1996 Koenig
5,569,133 A 10/1996 Vittone
5,722,922 A 3/1998 Watterson et al.
5,971,897 A 10/1999 Olson et al.
D439,292 S * 3/2001 Webber D21/694
6,217,483 B1 4/2001 Kallassy
6,238,323 B1 5/2001 Simonson
6,261,205 B1 7/2001 Elefson
6,394,935 B1 5/2002 Lake
6,447,430 B1 9/2002 Webb et al.
6,482,139 B1 11/2002 Haag
D489,601 S * 5/2004 Meeker D8/354
D550,790 S 9/2007 Staten
D550,791 S 9/2007 Rogers et al.
D550,792 S 9/2007 Rogers et al.
D551,306 S 9/2007 Rogers et al.
7,488,277 B1 2/2009 Knapp
7,549,950 B1 6/2009 Lundquist et al.
8,057,368 B1 11/2011 Lyszczarz
8,096,926 B1 1/2012 Batca
8,172,733 B1 5/2012 Batca
8,827,875 B2 * 9/2014 Schiano A63B 21/078
482/92
9,011,301 B2 4/2015 Balandis et al.
9,028,381 B2 5/2015 Mestemaker
9,289,638 B2 3/2016 Towley, III et al.
9,302,139 B2 4/2016 Habing et al.
9,421,413 B2 8/2016 Staten et al.
D769,991 S * 10/2016 Thomas D21/686
D772,356 S * 11/2016 Gregory D21/686
D781,452 S * 3/2017 Bokros D25/68
D806,808 S * 1/2018 Gregory D21/686
D808,475 S 1/2018 Meredith et al.
D815,305 S * 4/2018 Alvarado D25/68
D849,160 S * 5/2019 Lau D21/686
D855,720 S * 8/2019 Kuka D21/686
2003/0115955 A1 6/2003 Keiser
2003/0134723 A1 7/2003 Greenland
2005/0054493 A1 3/2005 Skilken et al.
2005/0202941 A1 9/2005 Vaes
2006/0035765 A1 * 2/2006 Smith A63B 21/078
482/94
2006/0183607 A1 8/2006 Collias
2006/0252615 A1 11/2006 Melcer
2007/0054785 A1 3/2007 Drechsler
2007/0155595 A1 7/2007 Rogers et al.
2007/0155596 A1 7/2007 Rogers et al.
2009/0143203 A1 6/2009 Knapp
2010/0216610 A1 8/2010 Gedeon-Janvier
2010/0292057 A1 11/2010 Dunn
2012/0289384 A1 11/2012 Staten et al.
2012/0329613 A1 * 12/2012 Schiano A63B 21/078
482/94
2013/0035220 A1 2/2013 Adams

2013/0296143 A1 11/2013 Staten et al.
2013/0296146 A1 11/2013 Staten et al.
2014/0087928 A1 3/2014 Luedeka
2014/0256517 A1 9/2014 Poppinga
2015/0016919 A1 * 1/2015 Tambornino F16B 35/06
411/366.1
2015/0083681 A1 3/2015 Childs
2015/0126335 A1 * 5/2015 Gilson A63B 1/00
482/38
2015/0141221 A1 * 5/2015 Delgado A63B 23/0211
482/140
2015/0182773 A1 7/2015 Olson et al.
2015/0352395 A1 12/2015 Gregory
2016/0023035 A1 * 1/2016 Meyer A63B 1/00
482/38
2016/0213967 A1 7/2016 Habing et al.
2017/0007877 A1 1/2017 Leipheimer
2017/0056705 A1 * 3/2017 Zha A63B 23/03558
2017/0189736 A1 * 7/2017 Martin A63B 21/4029
2017/0246496 A1 8/2017 Nelson et al.
2018/0036573 A1 * 2/2018 Lennox A63B 21/4035
2018/0243597 A1 * 8/2018 Schlegel A63B 69/345
2019/0275363 A1 * 9/2019 Jones A63B 23/03508

FOREIGN PATENT DOCUMENTS

FR 2630652 A1 11/1989
GB 2346808 A 8/2000
KR 200466889 Y1 5/2013
KR 20140060130 A 5/2014
WO 984211 A1 10/1998
WO 201893699 A1 5/2018
WO 2018208772 A1 11/2018

OTHER PUBLICATIONS

Screenshots from <https://www.youtube.com/watch?v=A4xv8OhVbzI>, dated May 17, 2018.
Product promotional materials for Dynamic Fitness Ultra Pro Rack Series from <https://web.archive.org/web/20170112075250/https://mydynamicfitness.com>, dated Jan. 12, 2017.
Product listing for Rogue Monster Lever Arms from <https://web.archive.org/web/20160529110340/http://www.roguefitness.com/monster-lever-arms>, dated May 29, 2016.
Product listing for Rogue Monster Lever Arms from <https://web.archive.org/web/20161111082206/http://www.roguefitness.com/monster-lever-arms>, dated Nov. 11, 2016.
Jul. 23, 2019—(WO) International Search Report & Written Opinion—App PCT/US2019/021017.
Sorinex Exercise Equipment: “Base camp jammer arms adjustable attachment point”, Feb. 27, 2018 (Feb. 27, 2018), pp. 1-3, Retrieved from the Internet: URL:<https://www.facebook.com/sorinex.strength/videos/base-camp-jammer-arms-adjustable-attachment-point/10158262519208647/>.

* cited by examiner

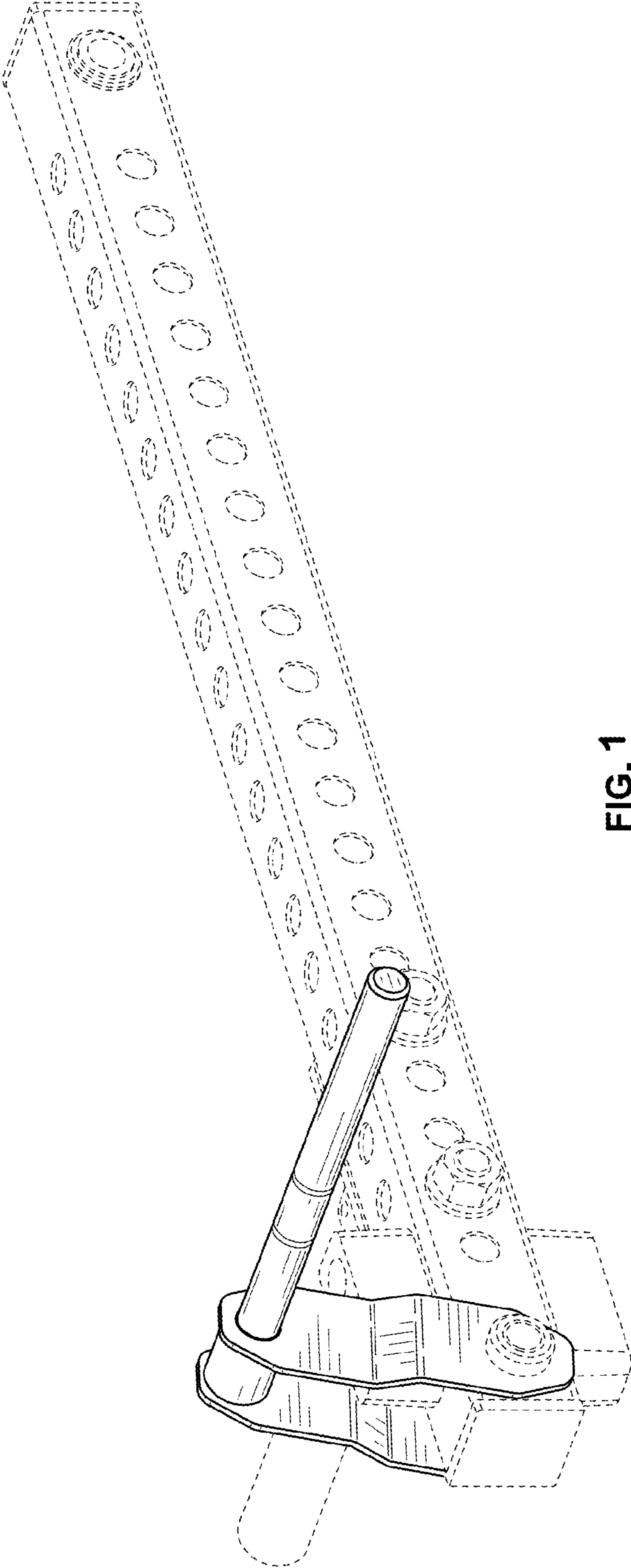


FIG. 1

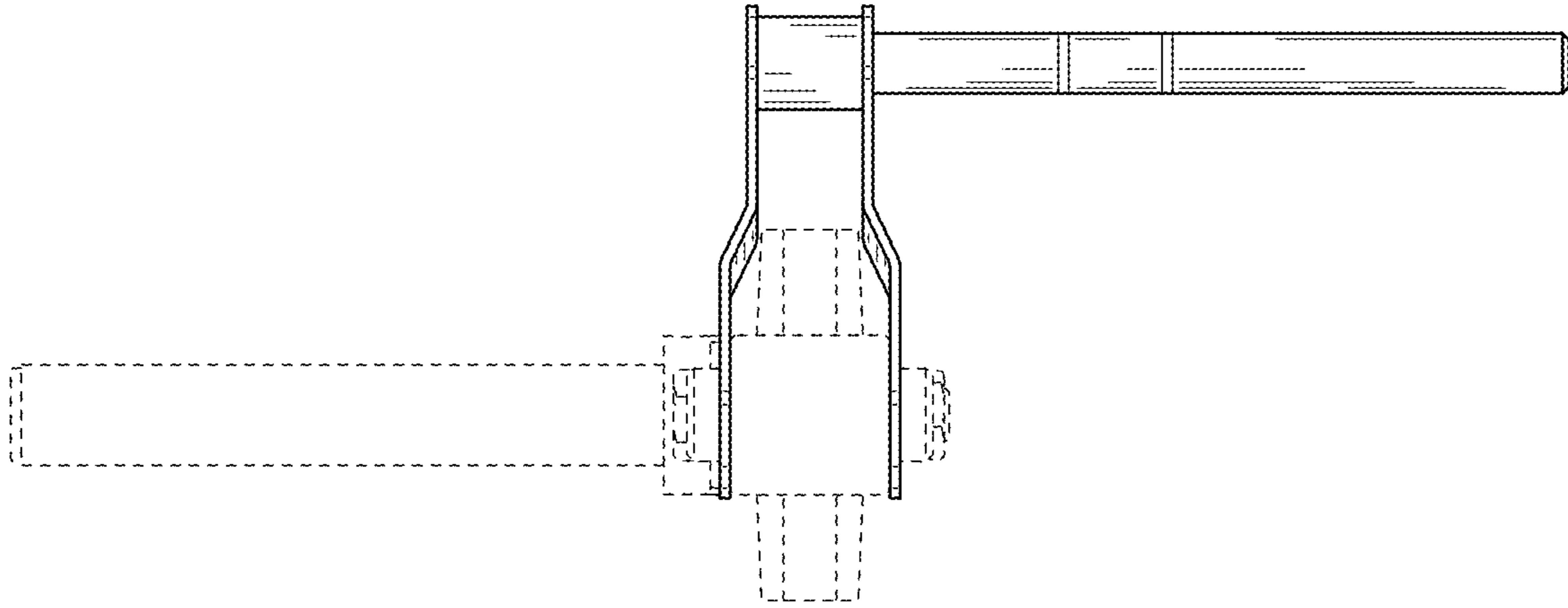


FIG. 2

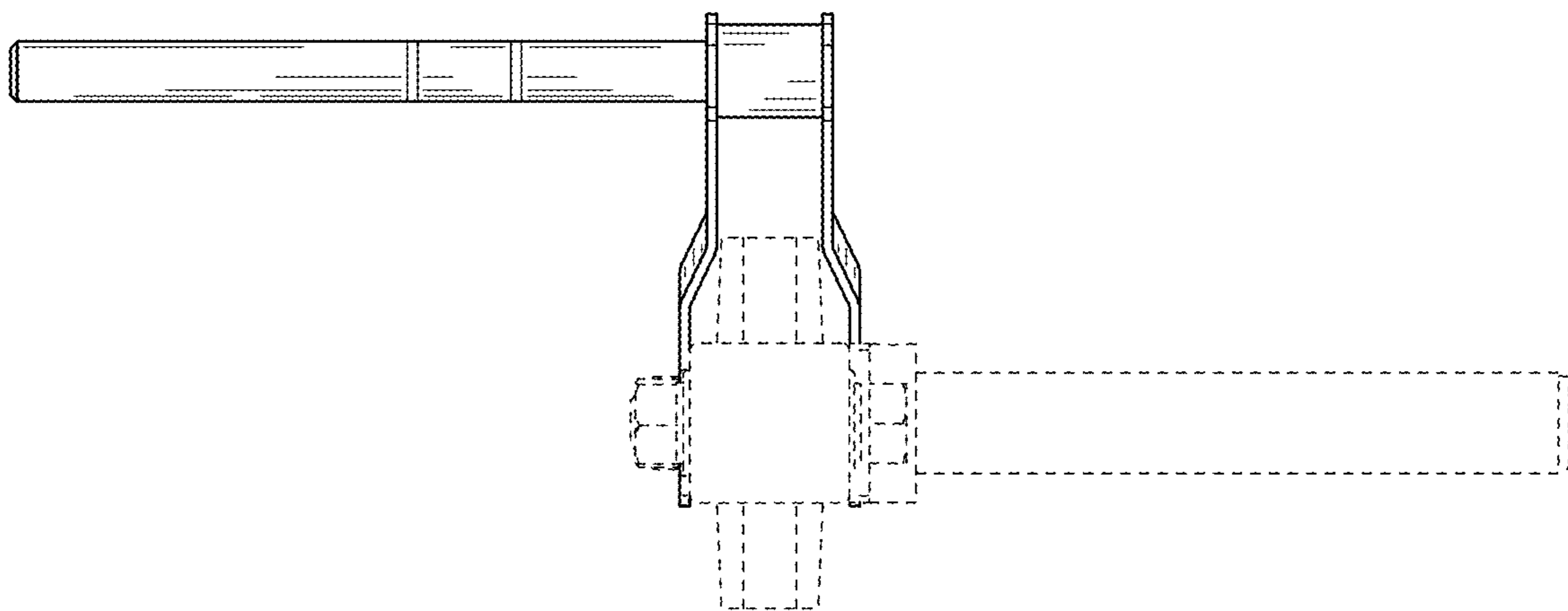


FIG. 3

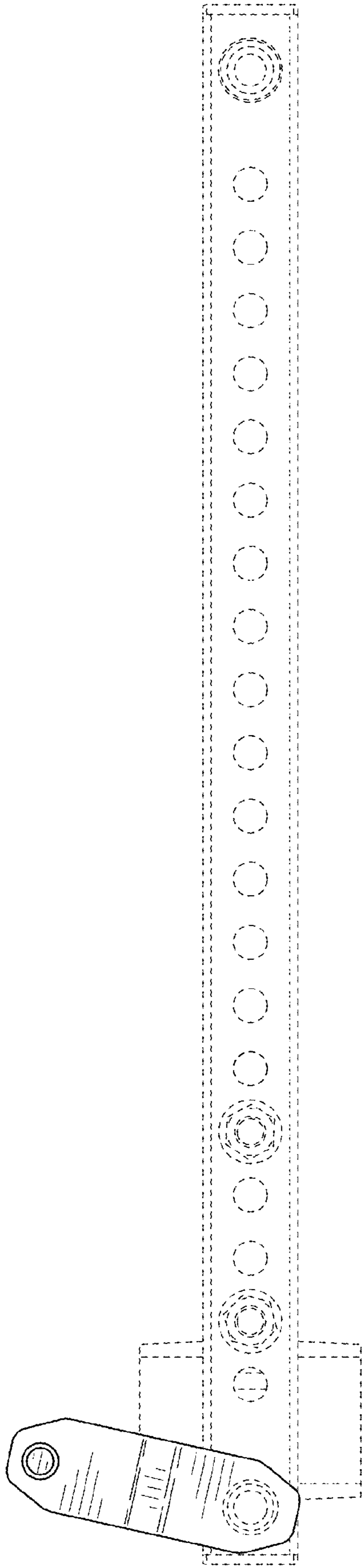


FIG. 4

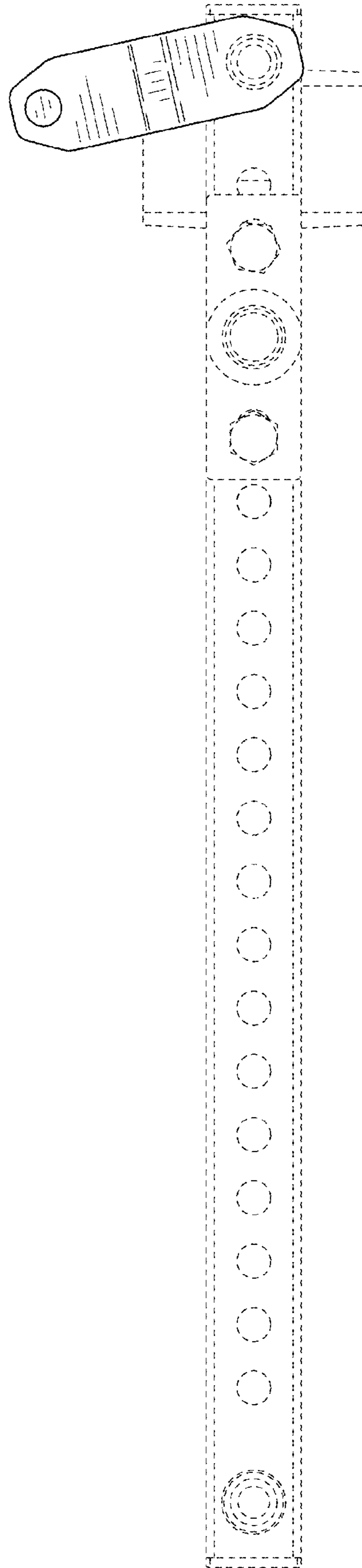


FIG. 5

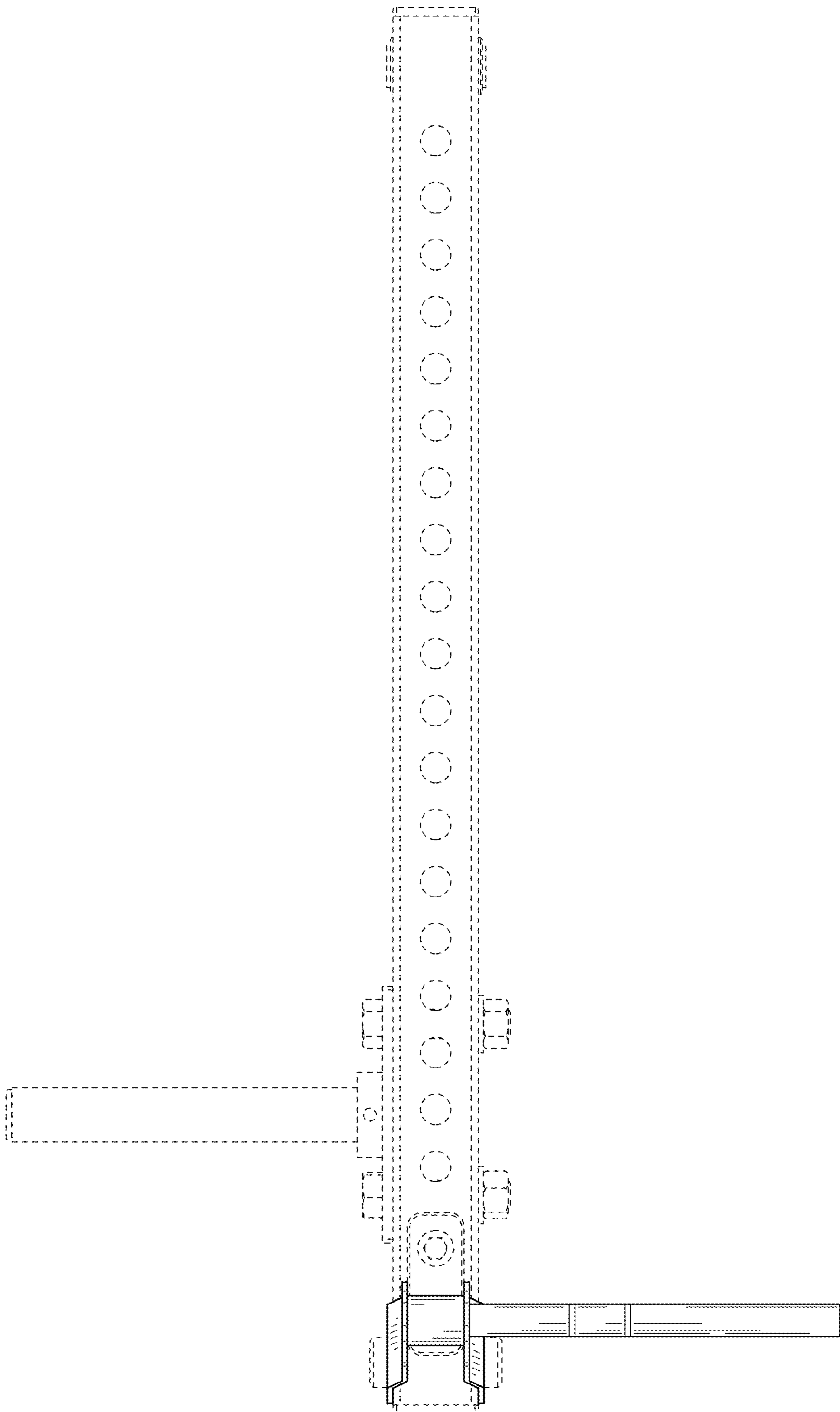


FIG. 6

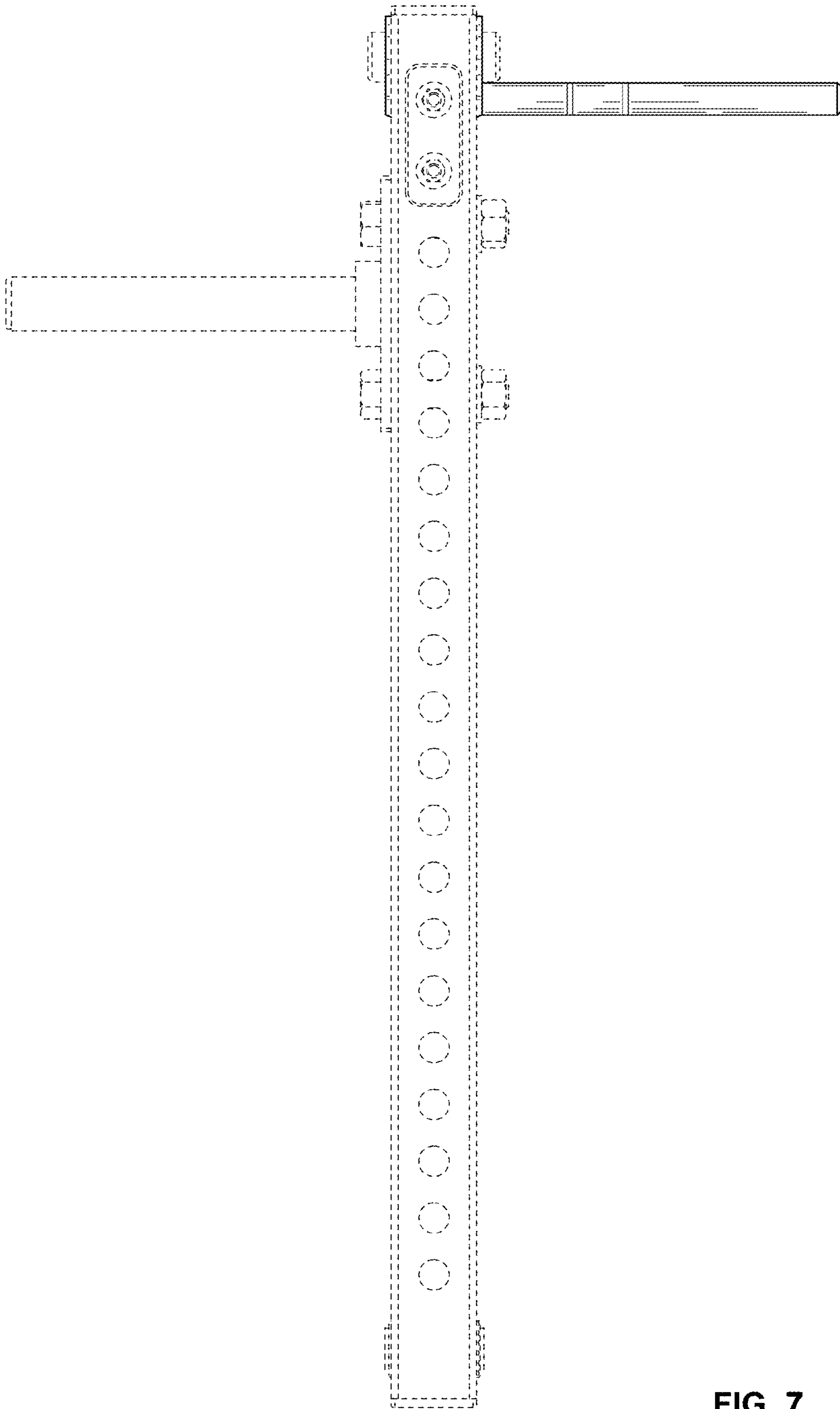


FIG. 7

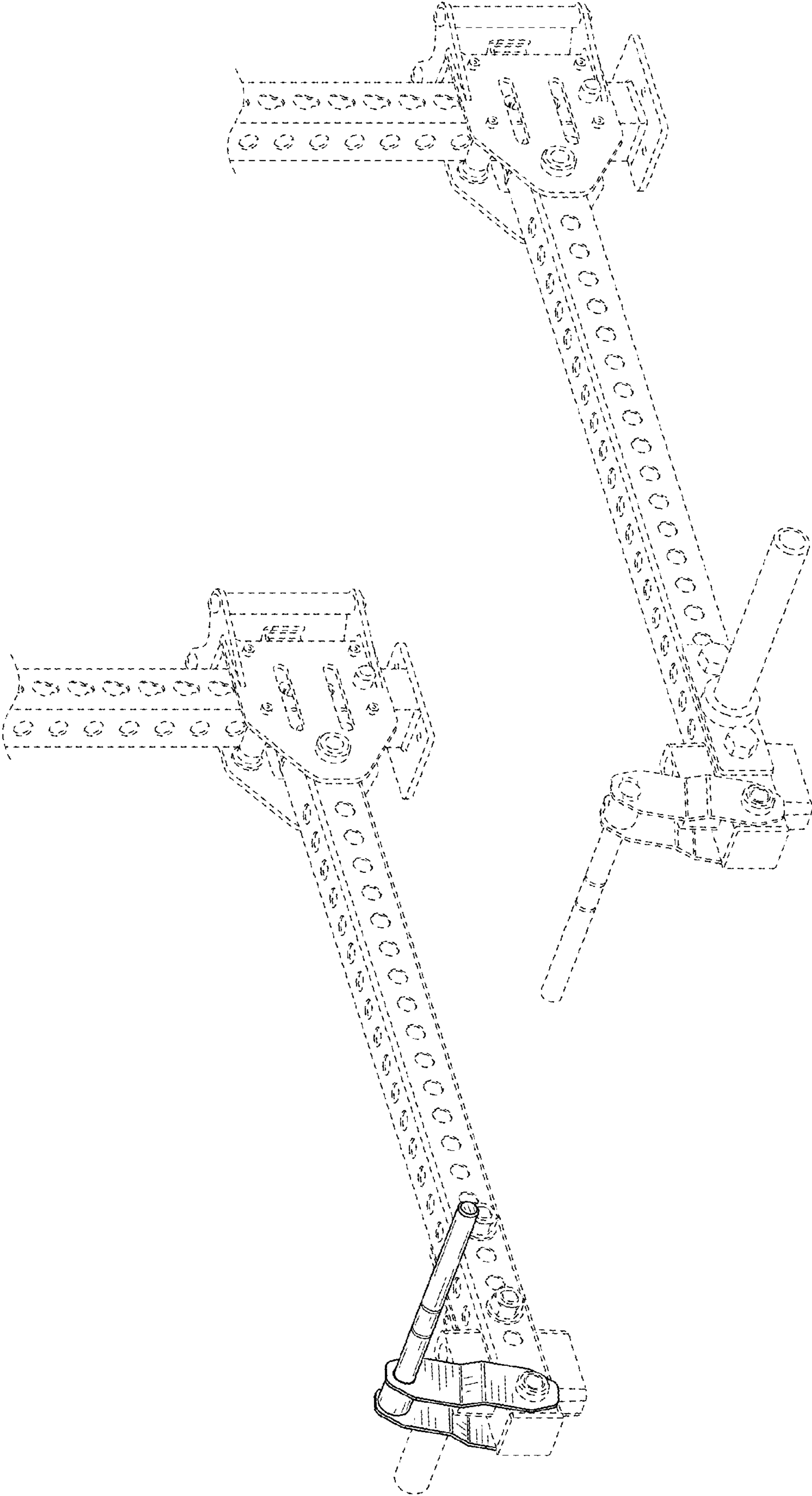


FIG. 8