



US00D898135S

(12) **United States Design Patent** (10) **Patent No.:** **US D898,135 S**  
**Slater** (45) **Date of Patent:** **\*\* Oct. 6, 2020**

(54) **ADJUSTABLE FREE WEIGHT**  
(71) Applicant: **Joshua Eric Slater**, Grand Rapids, MI (US)  
(72) Inventor: **Joshua Eric Slater**, Grand Rapids, MI (US)  
(\*\*) Term: **15 Years**

7,980,323 B2 \* 7/2011 Wilson ..... E04H 17/263  
173/162.1  
D651,671 S \* 1/2012 Ross ..... D21/680  
8,702,570 B1 \* 4/2014 DelPriore ..... A63B 21/0442  
482/51  
D725,724 S \* 3/2015 Bellantuono ..... D21/682  
D737,908 S \* 9/2015 Kubitz ..... D21/686  
9,616,269 B1 \* 4/2017 Burosh ..... A63B 21/072  
D789,461 S \* 6/2017 Magloire ..... D21/682  
D798,969 S \* 10/2017 Lozito ..... D21/682  
(Continued)

(21) Appl. No.: **29/707,235**  
(22) Filed: **Sep. 26, 2019**  
(51) **LOC (12) Cl.** ..... **21-02**  
(52) **U.S. Cl.**  
USPC ..... **D21/680**  
(58) **Field of Classification Search**  
USPC ..... 482/93, 55, 51, 44, 110, 109, 108, 107,  
482/106; D9/532; D8/75; D30/160;  
D23/304; D21/682, 684, 686, 692, 695,  
D21/681, 680, 662; D11/81  
CPC . A63B 21/072; A63B 21/075; A63B 21/4035;  
A63B 21/0726; A63B 21/0728; A63B  
21/0004; A63B 21/4043; A63B 21/00065  
See application file for complete search history.

(56) **References Cited**  
U.S. PATENT DOCUMENTS  
4,995,604 A \* 2/1991 Lynch ..... A63B 21/0606  
434/254  
D370,951 S \* 6/1996 Lazar ..... D21/692  
D376,745 S \* 12/1996 Scott ..... D10/70  
D464,095 S \* 10/2002 Yu ..... D21/662  
6,514,179 B1 \* 2/2003 Yu ..... A63B 21/0004  
482/110  
6,981,933 B2 \* 1/2006 Scafidel ..... A63B 21/0603  
482/110  
7,111,690 B2 \* 9/2006 Kleinert ..... E02D 7/04  
173/128  
D568,950 S \* 5/2008 Yewer, Jr. .... D21/662  
7,832,497 B2 \* 11/2010 Wilson ..... E04H 17/263  
173/90

**OTHER PUBLICATIONS**

SlateWeight by SlateWeight dated no date given. Found online [Jul. 9, 2020] [https://www.linkedin.com/company/slateweight?trk=public\\_profile\\_experience-item\\_result-card\\_subtitle-click](https://www.linkedin.com/company/slateweight?trk=public_profile_experience-item_result-card_subtitle-click).  
(Continued)

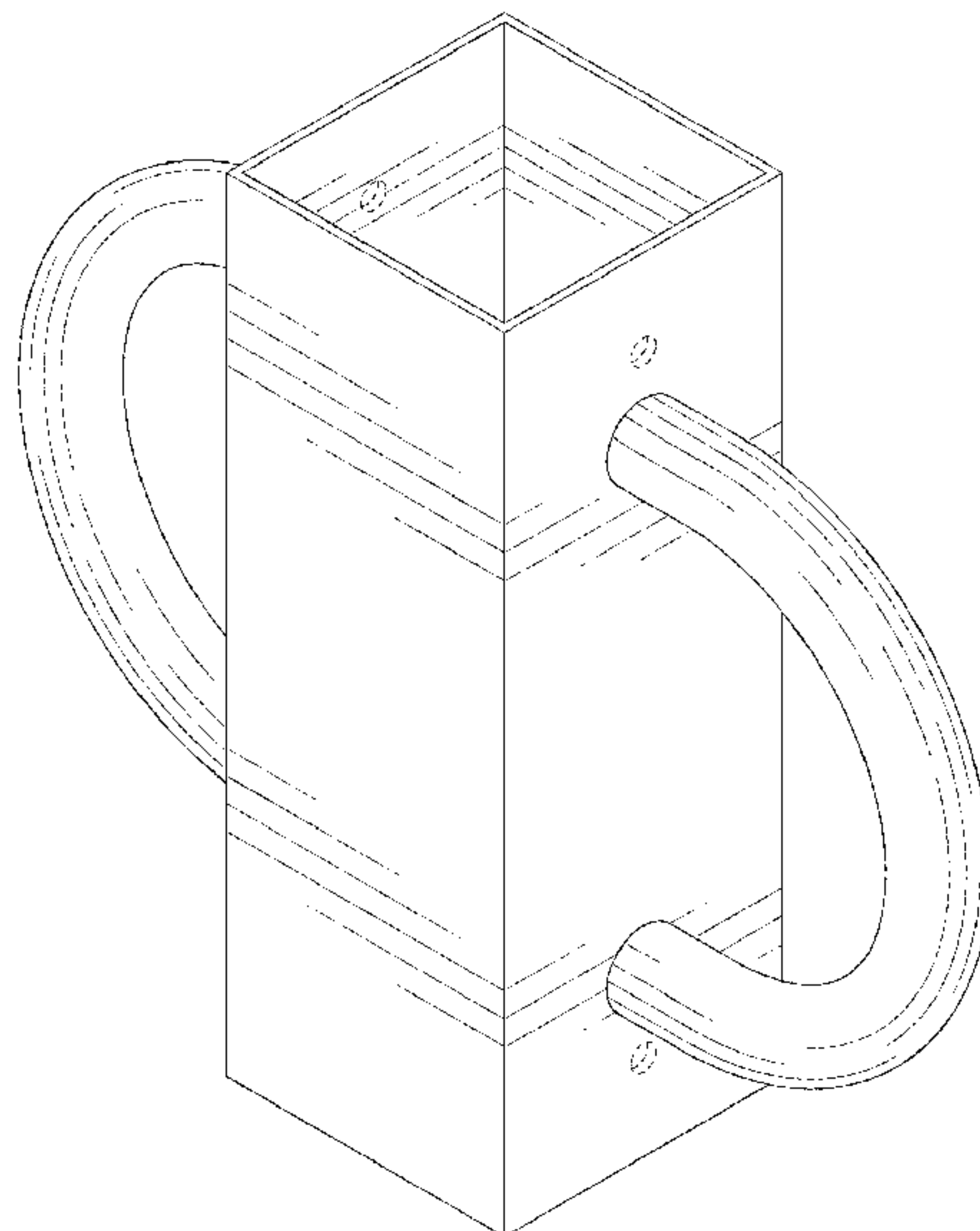
*Primary Examiner* — Ryan Harvey

(57) **CLAIM**  
The ornamental design for a adjustable free weight, as shown and described.

**DESCRIPTION**

FIG. 1 is a front-top-left perspective view of a adjustable free weight showing my design;  
FIG. 2 is a rear-bottom-right perspective view thereof;  
FIG. 3 is a front side view thereof, the rear side being a mirror image;  
FIG. 4 is a right side view thereof, the left side being a mirror image; and,  
FIG. 5 is a top elevational view thereof, the bottom elevational view being a mirror image.  
The broken line showing the adjustable free weight in FIG. 1, FIG. 2, and FIG. 4 are included for the purpose of showing environmental structure of a pair of holes and form no part of the claimed design.

**1 Claim, 5 Drawing Sheets**



(56)

**References Cited**

U.S. PATENT DOCUMENTS

D803,956	S *	11/2017	Sutton	.....	D21/680
D806,186	S *	12/2017	Catania	.....	D21/680
9,844,694	B2 *	12/2017	Birt	.....	A63B 21/4035
9,844,695	B1 *	12/2017	Shorter	.....	A63B 21/4035
D816,782	S *	5/2018	Petek	.....	D21/681
D818,546	S *	5/2018	Martin	.....	D21/682
10,016,649	B2 *	7/2018	Wideman	.....	A63B 21/4043
D834,660	S *	11/2018	Petek	.....	D21/682
10,179,259	B1 *	1/2019	Zagata	.....	A63B 21/4035
D843,510	S *	3/2019	Ross	.....	D21/682
D843,512	S *	3/2019	Petek	.....	D21/682
D847,277	S *	4/2019	Hodes	.....	D21/682
D851,712	S *	6/2019	Jones	.....	D21/680
D868,182	S *	11/2019	Catania	.....	D21/662
D885,499	S *	5/2020	Sutton	.....	D21/680
2011/0263393	A1 *	10/2011	Ross	.....	A63B 21/0724 482/93
2011/0263394	A1 *	10/2011	Viselman	.....	A63B 21/072 482/93
2012/0046148	A1 *	2/2012	Aguila	.....	A63B 21/072 482/93
2012/0053024	A1 *	3/2012	Mendoza	.....	A63B 21/072 482/106
2013/0267390	A1 *	10/2013	Warren	.....	A63B 21/075 482/93
2016/0144220	A1 *	5/2016	Wood	.....	A63B 21/0004 482/93

OTHER PUBLICATIONS

HulkFit by HulkFit dated Jan. 24, 2020. Found online [Jul. 9, 2020]  
<https://tinyurl.com/ycujt9wt>.\*

\* cited by examiner

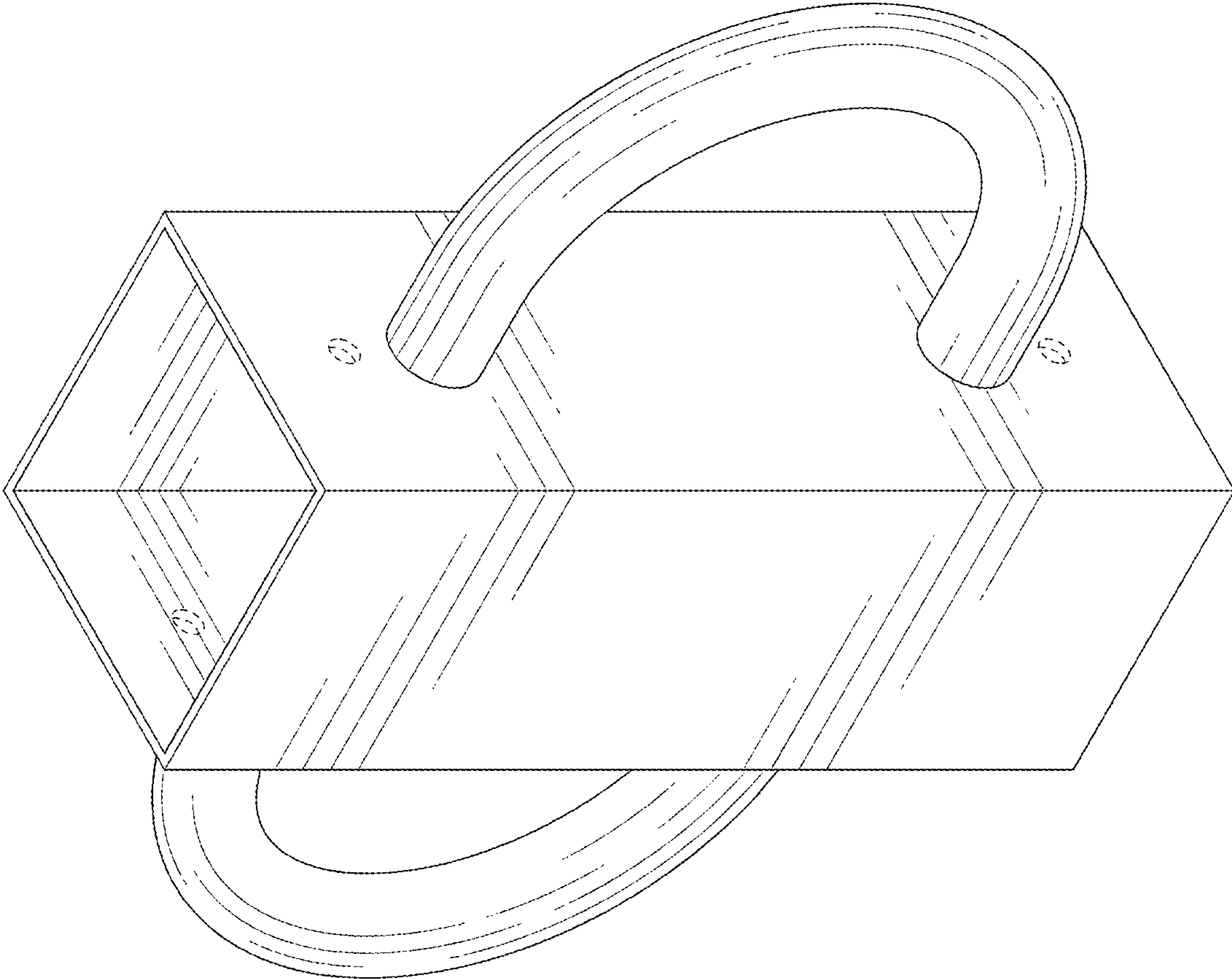


FIG. 1

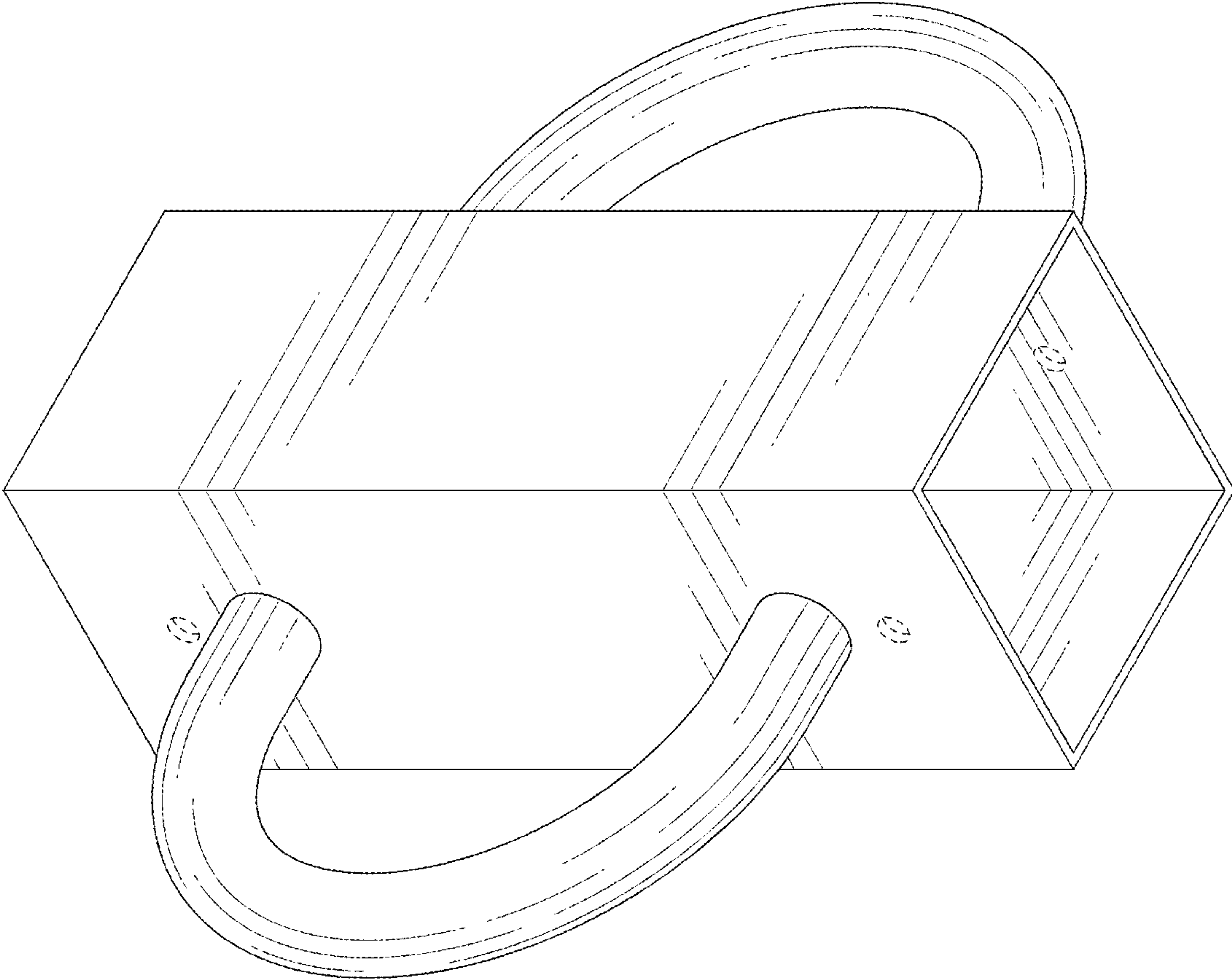


FIG. 2

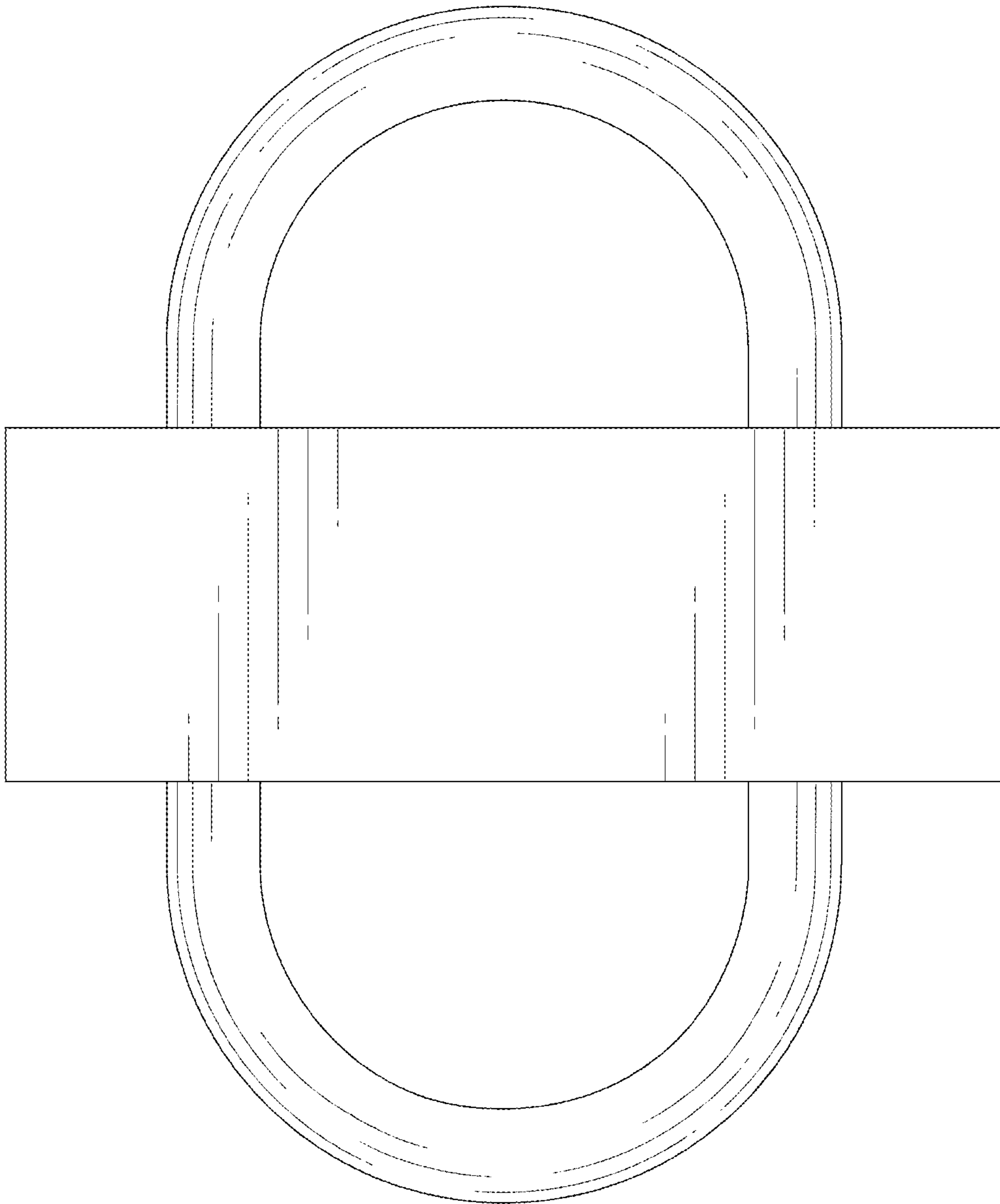


FIG. 3

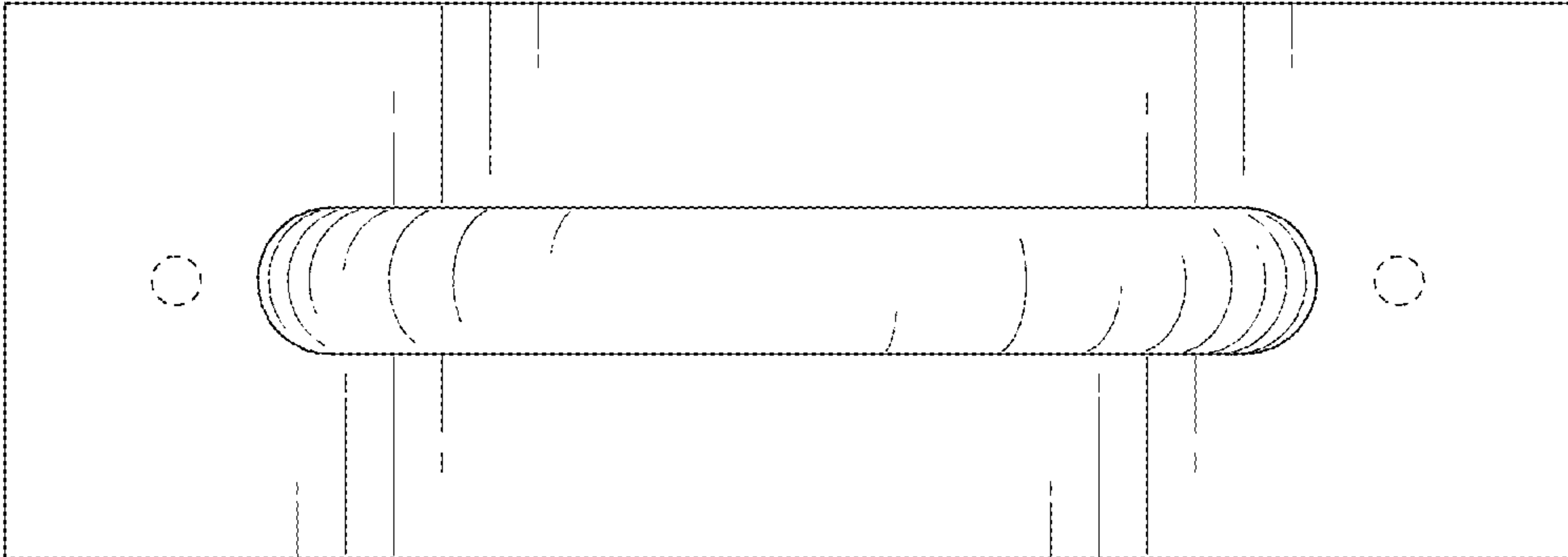


FIG. 4



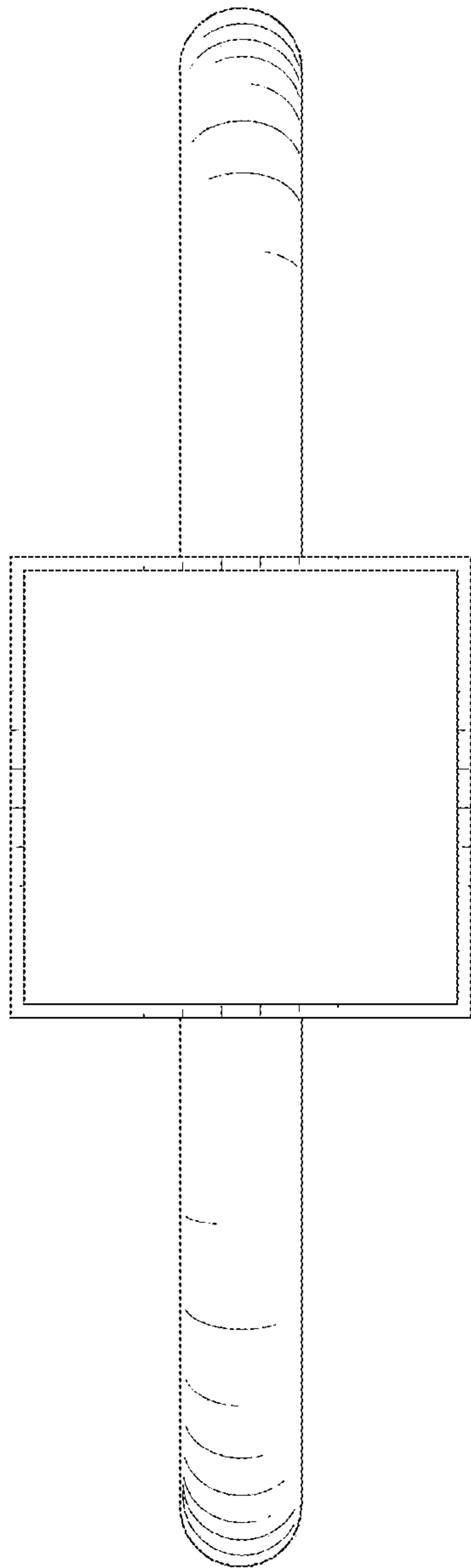


FIG. 5