



US00D898134S

(12) **United States Design Patent** (10) **Patent No.:** **US D898,134 S**  
**Hitman** (45) **Date of Patent:** **\*\* Oct. 6, 2020**

(54) **WEIGHT LIFTING BAR**  
(71) Applicant: **Daniel Hitman**, San Diego, CA (US)  
(72) Inventor: **Daniel Hitman**, San Diego, CA (US)  
(\*\*) Term: **15 Years**

(21) Appl. No.: **29/659,336**

(22) Filed: **Aug. 8, 2018**

(51) **LOC (12) Cl.** ..... **21-02**

(52) **U.S. Cl.**  
USPC ..... **D21/679; D21/692**

(58) **Field of Classification Search**  
USPC ..... D21/680, 682, 681, 678, 662, 679, 684,  
D21/686, 801, 694, 683, 386, 470, 839;  
173/102, 103, 118, 126, 133; 482/108,  
482/93, 110, 111, 105, 8, 107, 106, 139,  
482/94, 104, 140, 109, 51, 70, 74, 98, 1,  
482/121, 55, 129, 142, 92; D9/680, 629,  
D9/456, 455; D8/85, 45, 107, 90, 317,  
D8/387, 397, 343, 31, 75, 14, 321, 354;  
D11/81, 91, 56, 80, 7, 52, 14, 201;  
D12/215; D17/22; D22/259, 262;  
D24/215; D7/682

See application file for complete search history.

(56) **References Cited**

**U.S. PATENT DOCUMENTS**

4,585,229	A	4/1986	Brasher	
4,743,018	A	5/1988	Eckler	
5,725,461	A *	3/1998	Bogard, II	..... A63B 21/072 482/106
6,186,930	B1	2/2001	Ignaczak	
8,556,781	B1	10/2013	Fitzpatrick	
8,672,815	B1 *	3/2014	Springer	..... A63B 21/0724 482/106
8,951,170	B1	2/2015	Tayo	
D731,008	S *	6/2015	Orakwusi	..... D21/681

9,254,408	B1 *	2/2016	Otto	..... A63B 21/055
9,254,410	B1 *	2/2016	Mirza	..... A63B 21/0004
9,833,654	B1	12/2017	Gant et al.	
D811,497	S *	2/2018	Petek	..... D21/682
D816,782	S *	5/2018	Petek	..... D21/681
D834,660	S *	11/2018	Petek	..... D21/682
D843,512	S *	3/2019	Petek	..... D21/682
D845,404	S *	4/2019	Kuka	..... D21/679
2003/0130096	A1 *	7/2003	LaCroce	..... A63B 21/0724 482/106
2005/0202942	A1 *	9/2005	De Lano	..... A63B 21/0724 482/107

(Continued)

**OTHER PUBLICATIONS**

International Search Report and Written Opinion of the International Searching Authority issued for corresponding International Patent Application No. PCT/US2019/045639, dated Nov. 4, 2019.

*Primary Examiner* — Ryan Harvey

(74) *Attorney, Agent, or Firm* — Myers Wolin, LLC

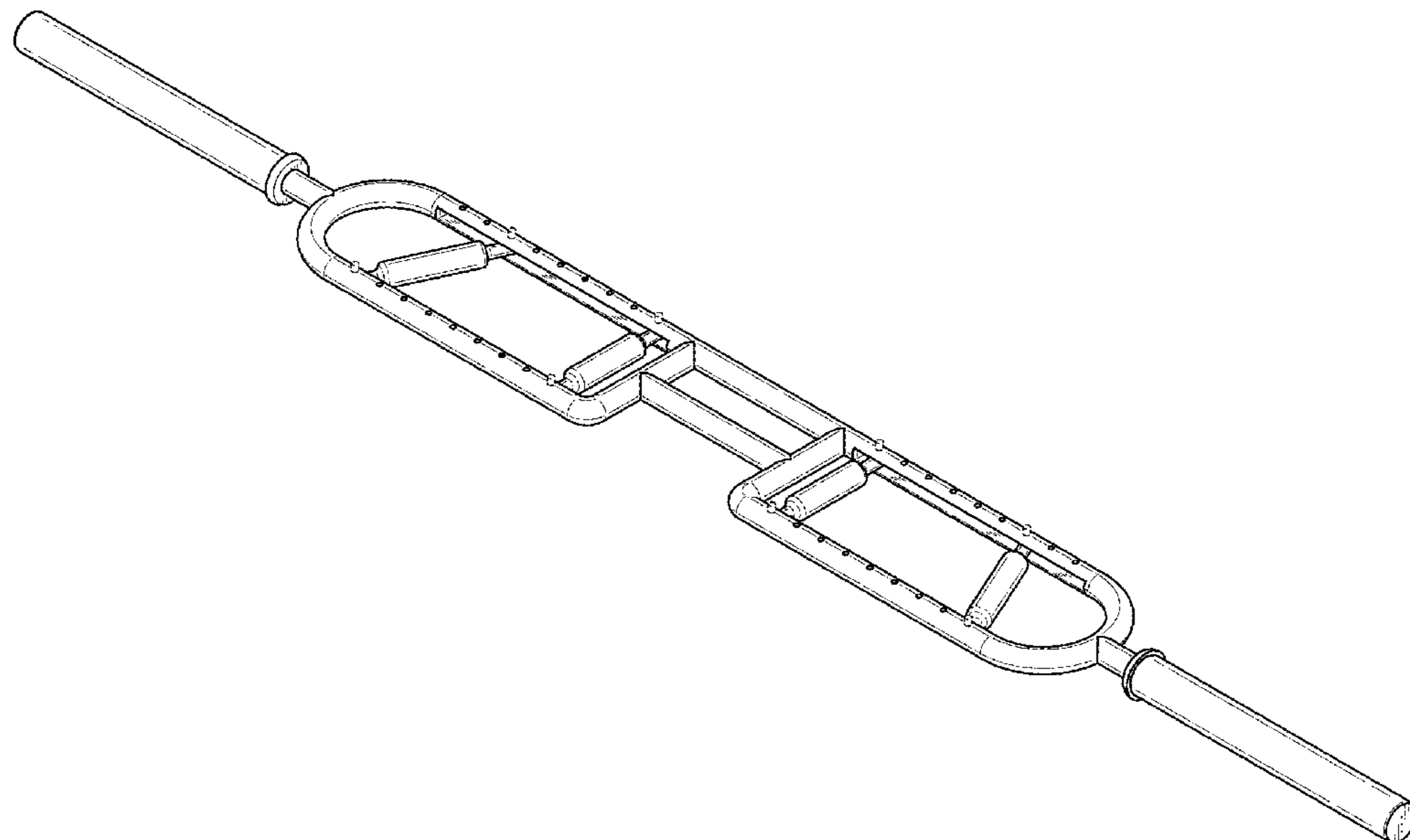
(57) **CLAIM**

The ornamental design for a weight lifting bar, as shown and described.

**DESCRIPTION**

FIG. 1 is a perspective view taken from the top of a weight lifting bar showing my new design;  
FIG. 2 is a perspective view taken from the bottom thereof;  
FIG. 3 is a top plan view thereof;  
FIG. 4 is a front elevation view thereof;  
FIG. 5 is a bottom plan view thereof;  
FIG. 6 is a rear elevation view thereof; and,  
FIG. 7 is a right side elevation view thereof, the left side elevation view being the same.  
The broken line showing of portions of the weight lifting bar depicts environment and forms no part of the claim.

**1 Claim, 3 Drawing Sheets**



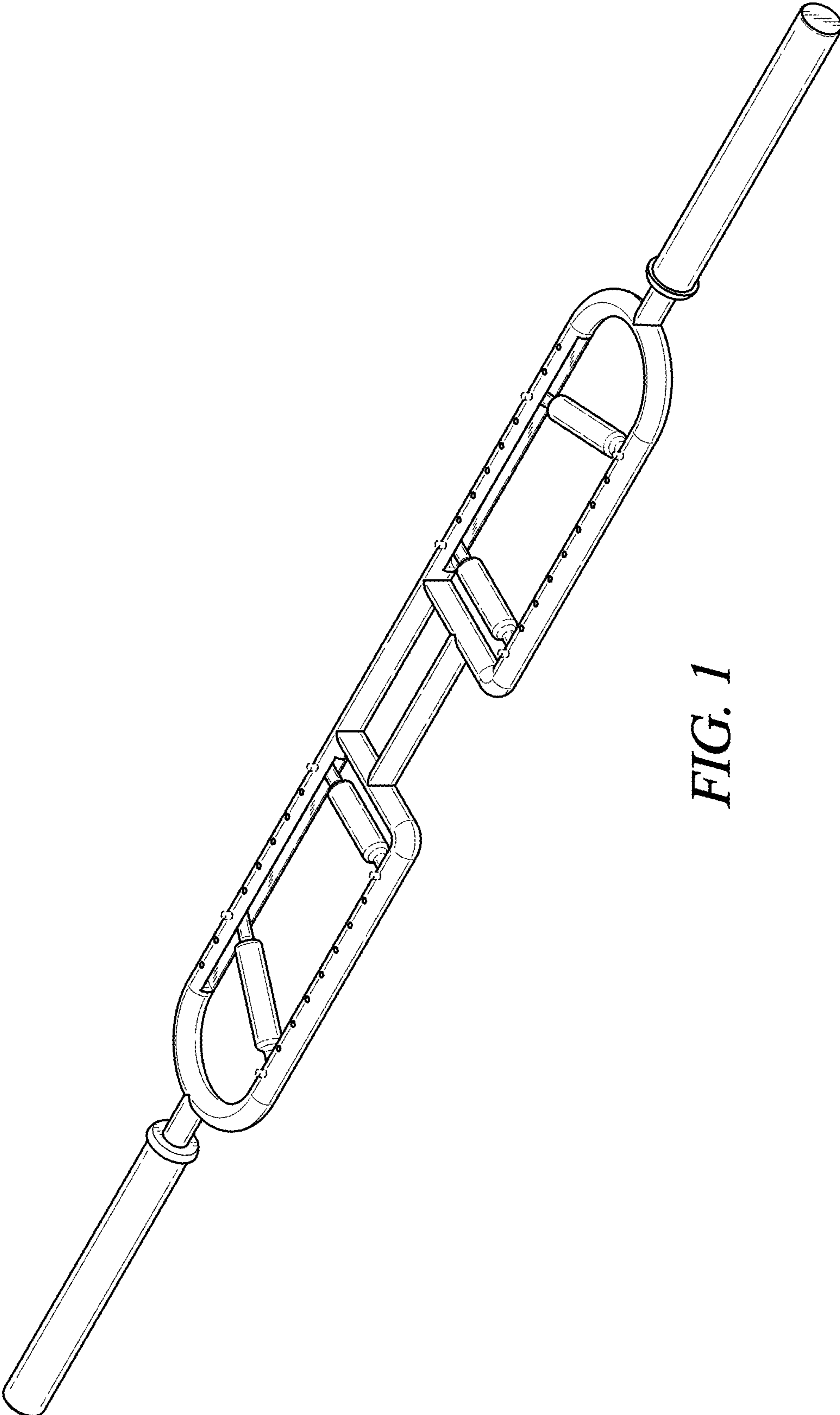
(56)

**References Cited**

U.S. PATENT DOCUMENTS

2012/0028770	A1	2/2012	Barchi	
2013/0172157	A1	7/2013	Glicksten et al.	
2016/0051857	A1	2/2016	Rasner	
2017/0106226	A1*	4/2017	Mann .....	A63B 21/0724
2018/0318633	A1*	11/2018	Marrs .....	A63B 21/4033
2019/0184225	A1*	6/2019	Leoniak .....	A63B 21/4035
2020/0061407	A1*	2/2020	LaCroce .....	A63B 21/0722

\* cited by examiner



*FIG. 1*

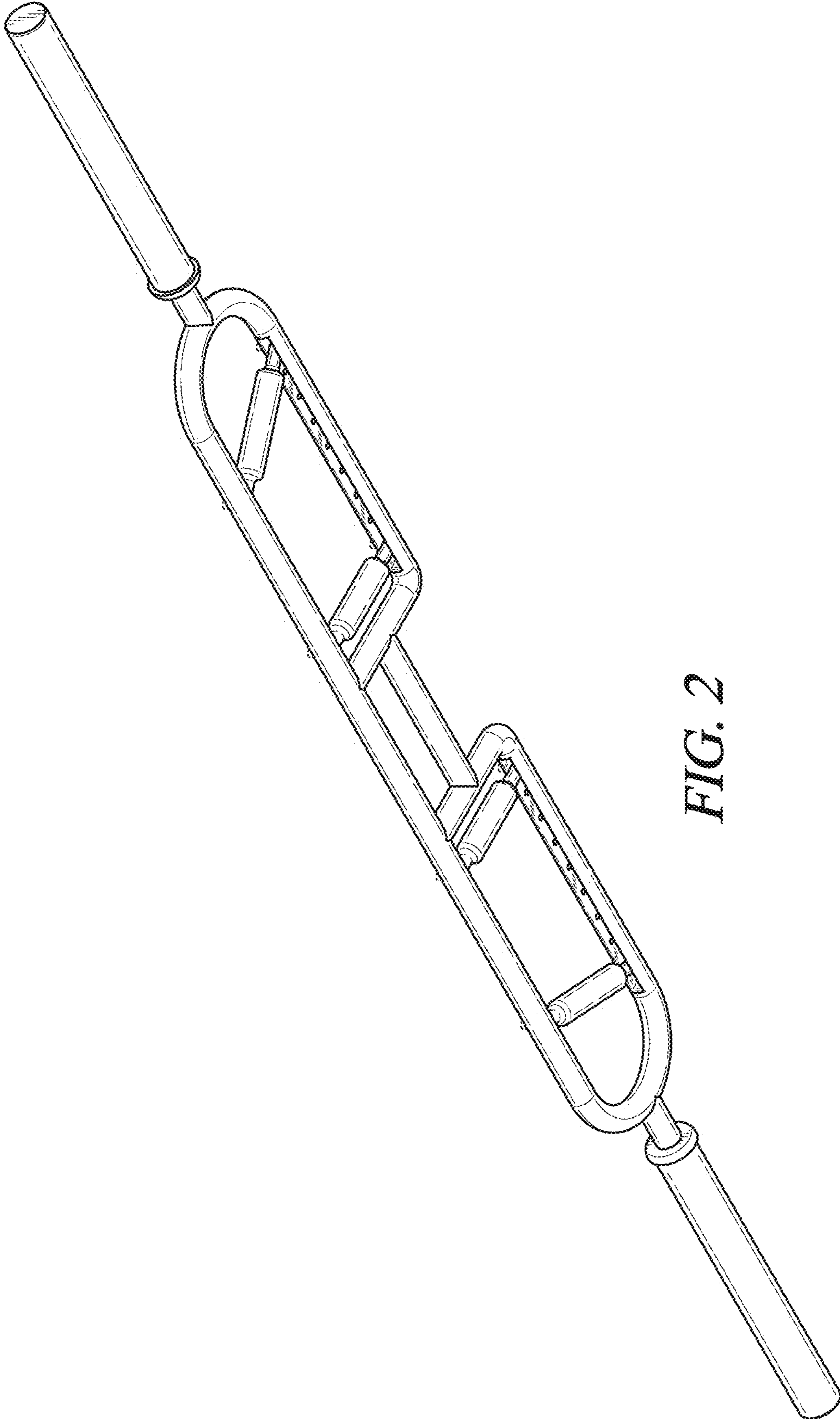


FIG. 2

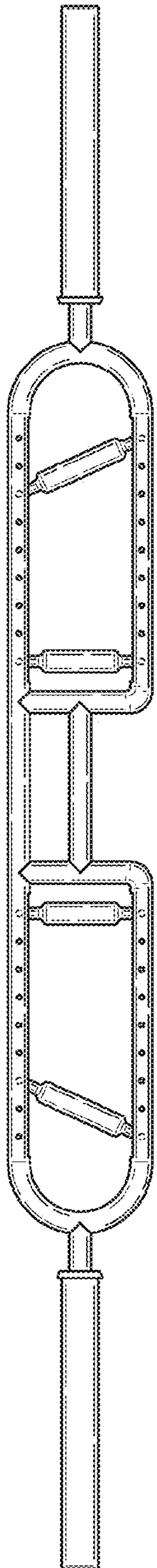


FIG. 3

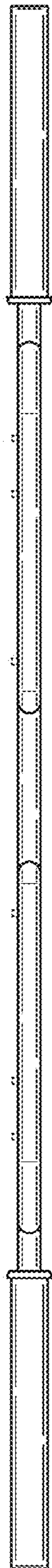


FIG. 4

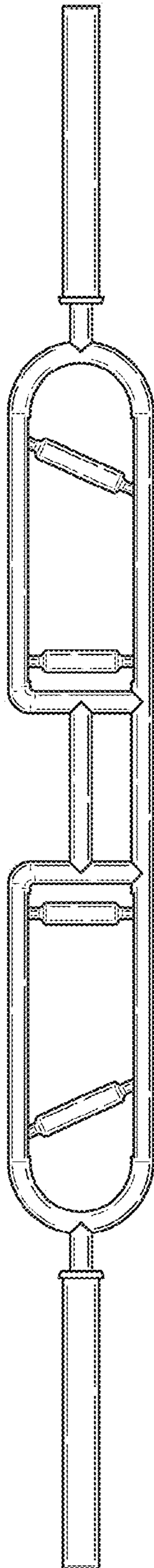


FIG. 5

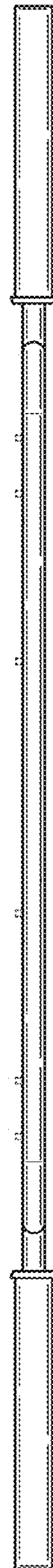


FIG. 6

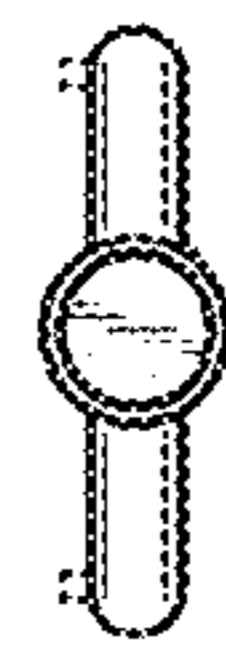


FIG. 7