



US00D898130S

(12) **United States Design Patent**  
**Zhou**

(10) **Patent No.:** **US D898,130 S**  
(45) **Date of Patent:** **\*\* Oct. 6, 2020**

(54) **DRONE REMOTE CONTROLLER**  
(71) Applicant: **Jun Zhou**, Shaoyan (CN)  
(72) Inventor: **Jun Zhou**, Shaoyan (CN)  
(73) Assignee: **GUANGDONG SHIJI TECHNOLOGY CO., LTD.**, Shantou (CN)

D801,893 S \* 11/2017 Simoens ..... D12/174  
D802,677 S \* 11/2017 Hung ..... D21/330  
9,855,512 B1 \* 1/2018 Wong ..... G05D 1/0858  
D823,949 S \* 7/2018 Lu ..... D21/566  
D839,968 S \* 2/2019 Kim ..... D21/566  
D839,969 S \* 2/2019 Kim ..... D21/566  
D844,073 S \* 3/2019 Kim ..... D21/566  
D844,716 S \* 4/2019 Gan ..... D21/566  
D851,710 S \* 6/2019 Zhou ..... D21/566  
D864,312 S \* 10/2019 Kim ..... D21/566

(\*\*) Term: **15 Years**

\* cited by examiner

(21) Appl. No.: **29/659,596**

*Primary Examiner* — Cynthia M. Chin

(22) Filed: **Aug. 10, 2018**

(57) **CLAIM**

(51) **LOC (12) Cl.** ..... **21-01**

The ornamental design for a drone remote controller, as shown and described.

(52) **U.S. Cl.**  
USPC ..... **D21/566**

**DESCRIPTION**

(58) **Field of Classification Search**  
USPC ..... D14/218, 349, 401, 480.5; D13/168,  
D13/173, 162, 162.1, 166, 171, 174;  
D21/133, 566  
CPC .... H03J 1/0025; H03J 9/00; H03J 9/02; H03J  
9/04; H03J 9/06; H04B 1/202; G05B  
11/01; A63H 17/262; A63H 30/04; A63H  
29/00; A63F 13/06  
See application file for complete search history.

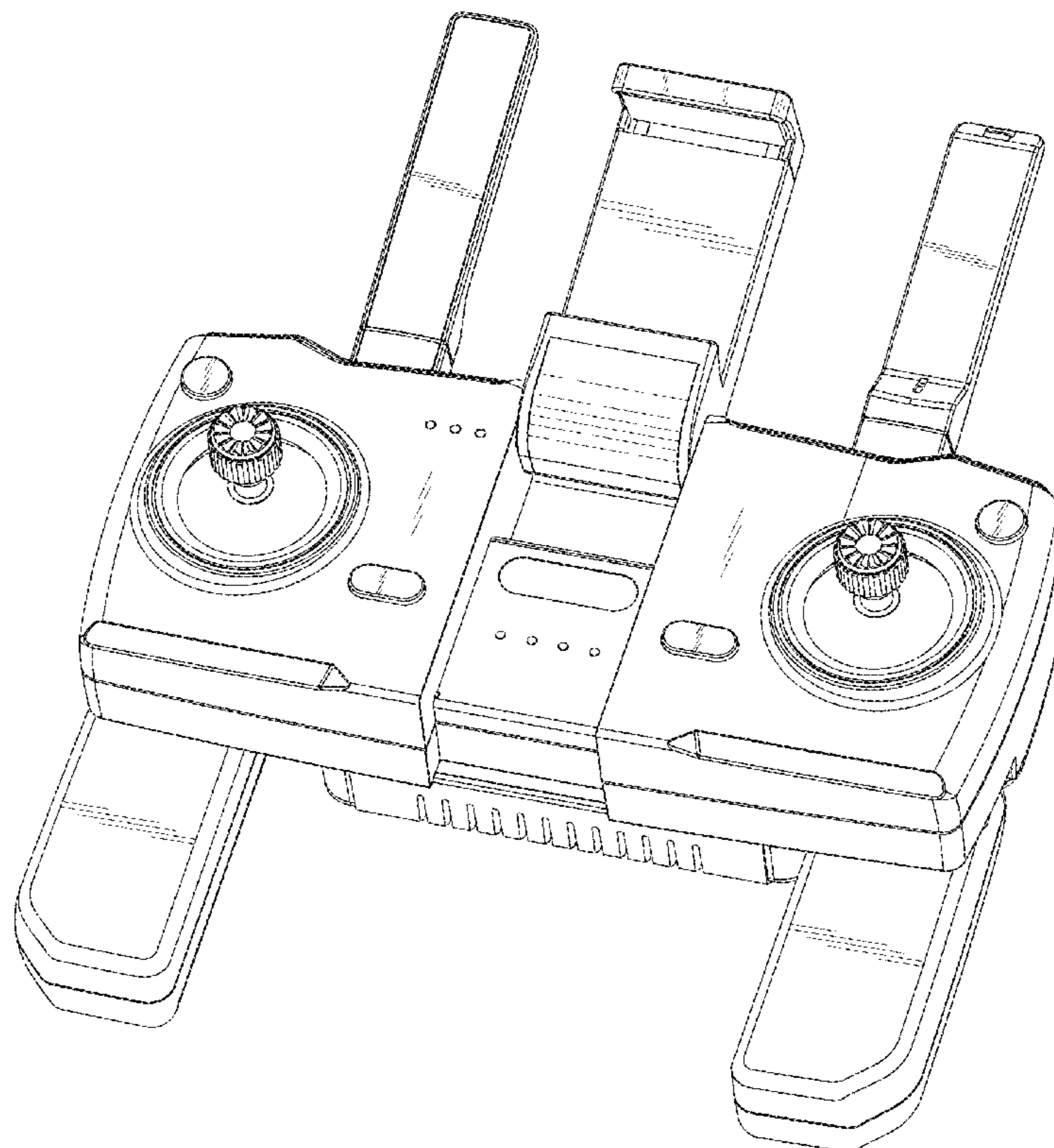
FIG. 1 is a front perspective view of a drone remote controller showing my new design;  
FIG. 2 is a front elevational view thereof;  
FIG. 3 is a rear elevational view thereof;  
FIG. 4 is a left side elevational view thereof;  
FIG. 5 is a right side elevational view thereof;  
FIG. 6 is a top plan view thereof;  
FIG. 7 is a bottom plan view thereof; and,  
FIG. 8 is another perspective view thereof showing the antennas of the drone remote controller is folded when the drone remote controller is not in use.  
The broken lines are for the purpose of illustrating portions of the article that form no part of the claim.

(56) **References Cited**

**U.S. PATENT DOCUMENTS**

D710,946 S \* 8/2014 Biheller ..... D14/401  
D712,970 S \* 9/2014 Biheller ..... D21/330

**1 Claim, 8 Drawing Sheets**



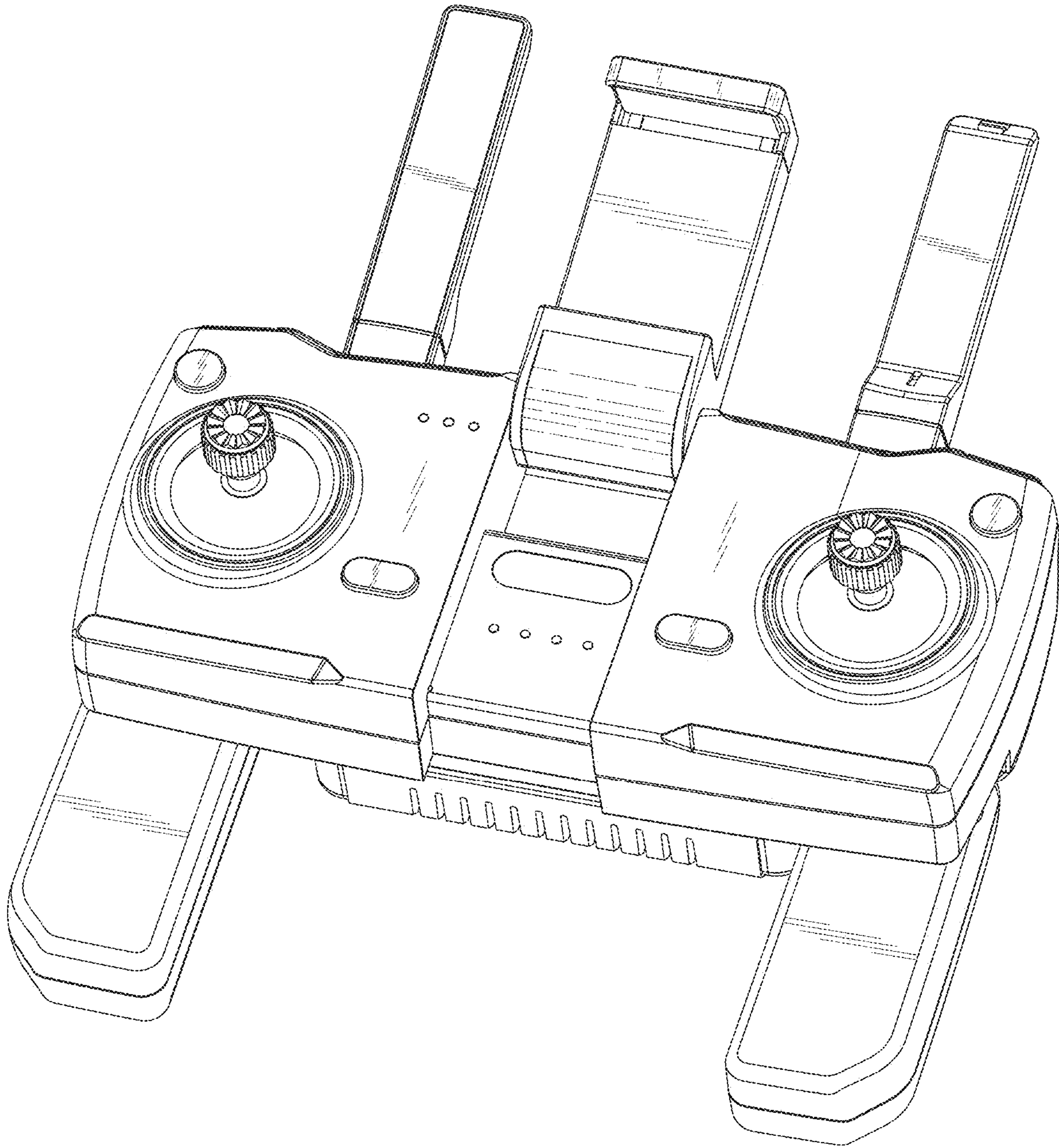


FIG. 1

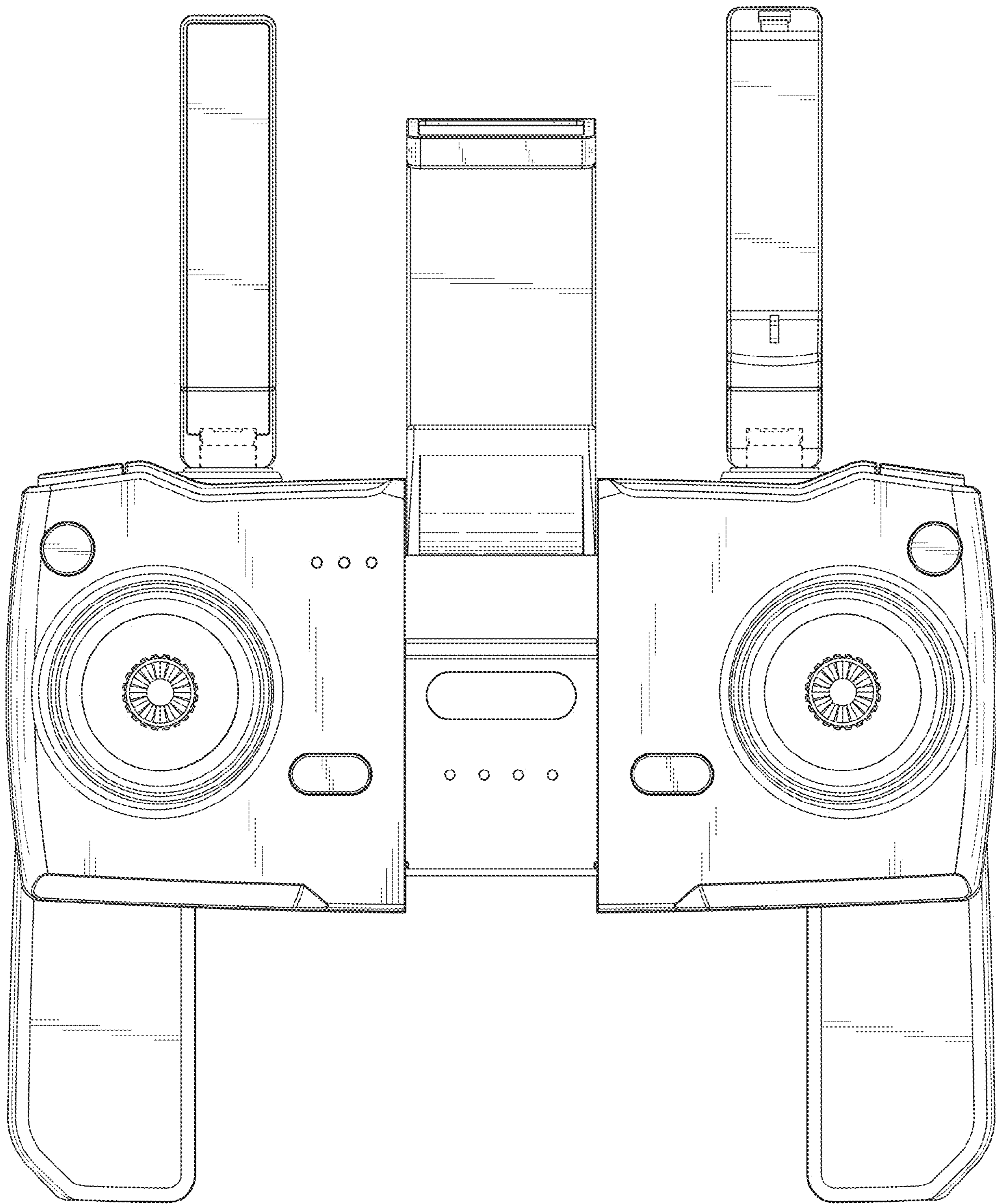


FIG.2

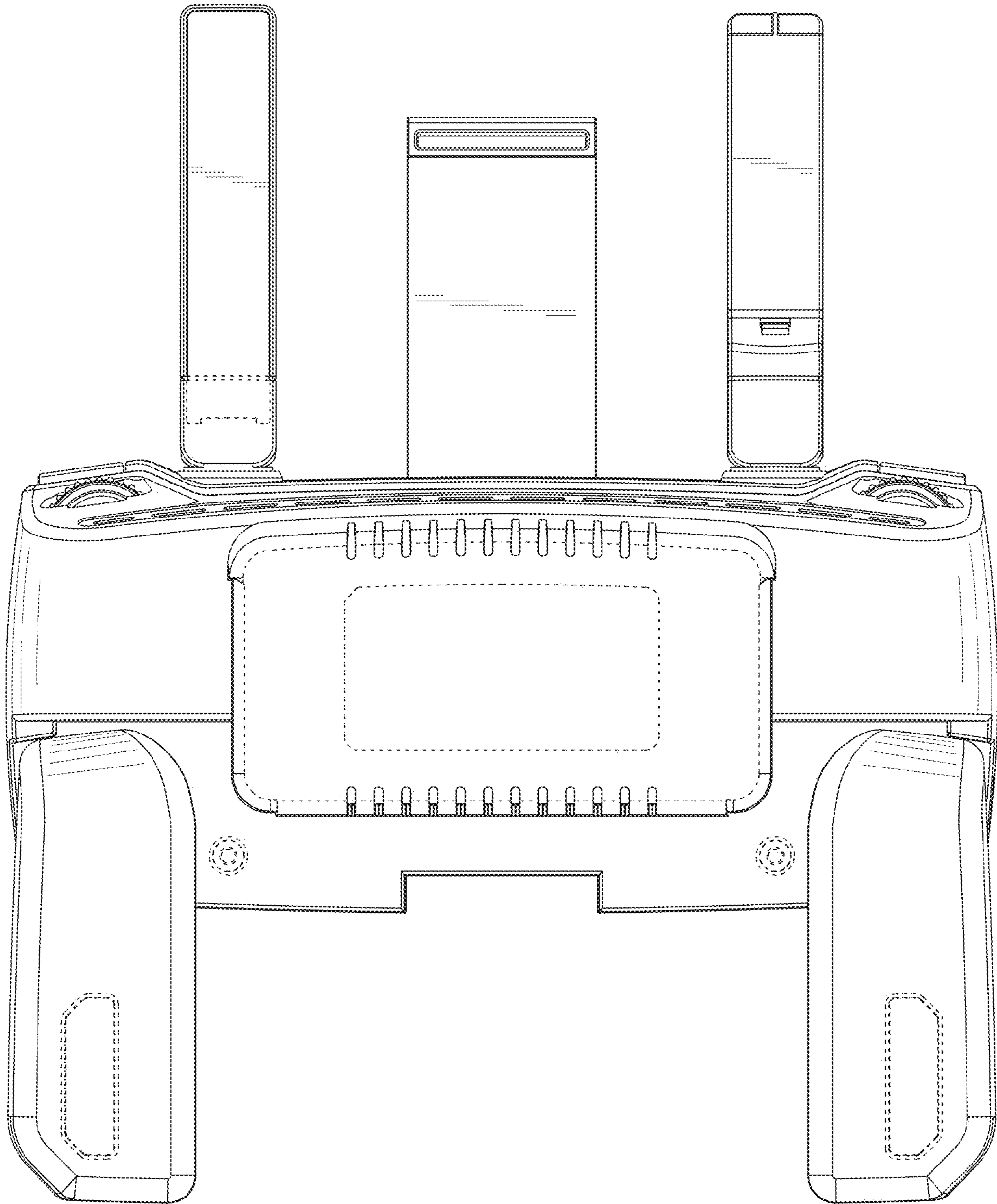


FIG.3

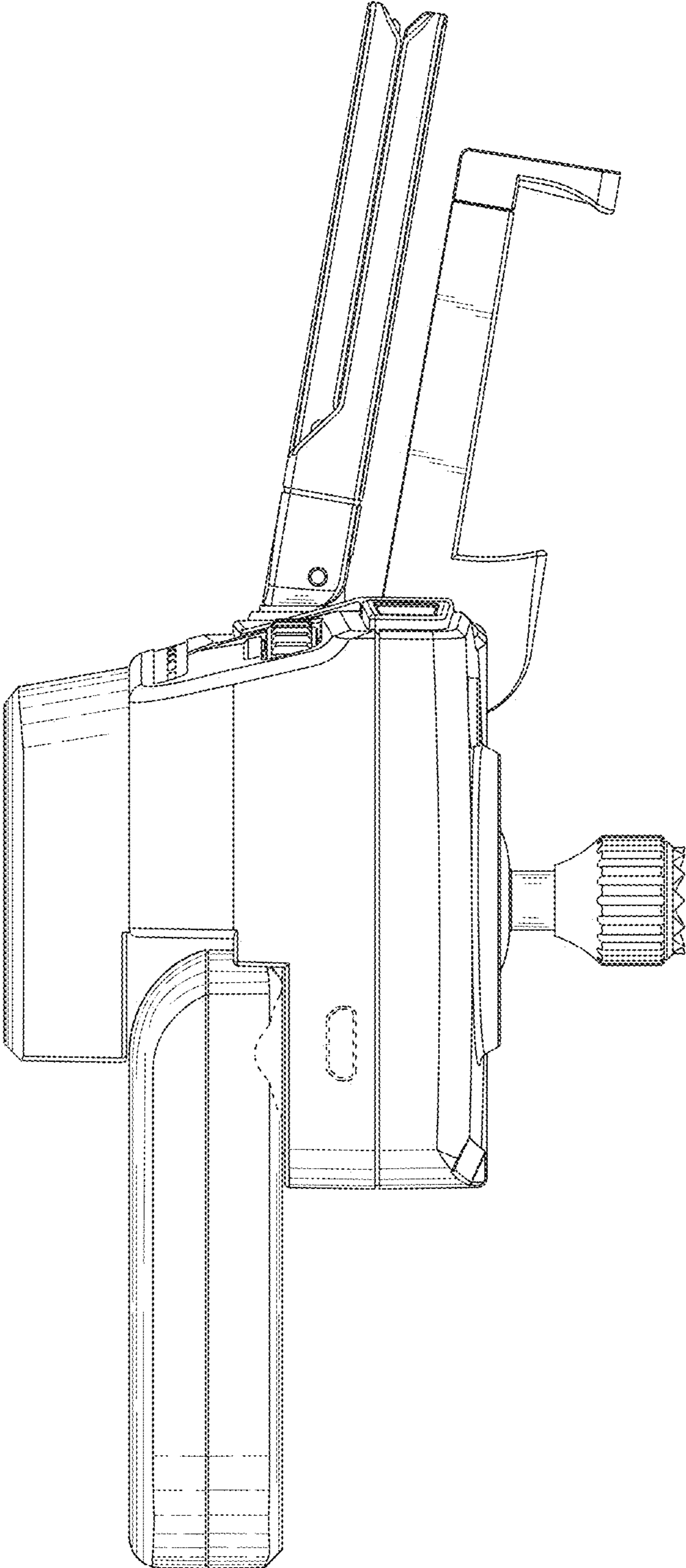


FIG.4

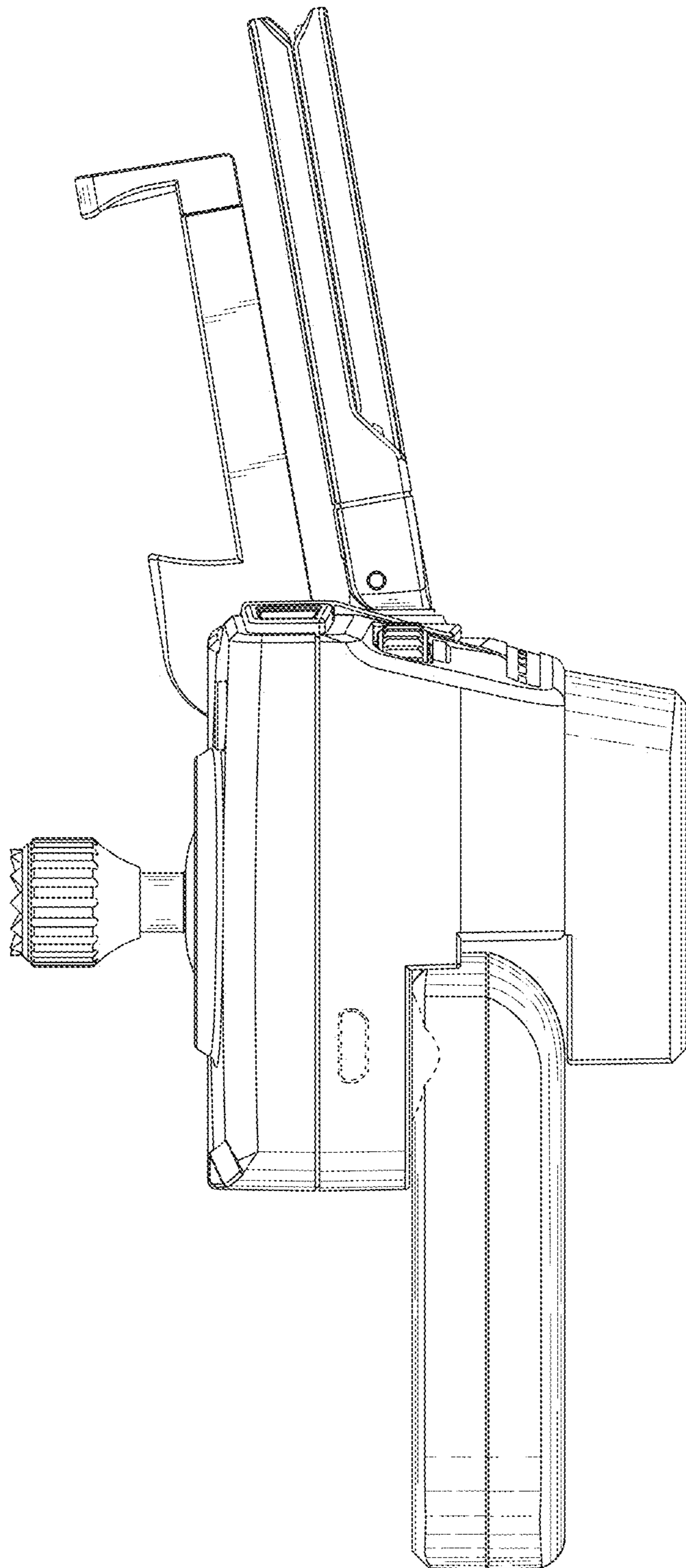


FIG.5

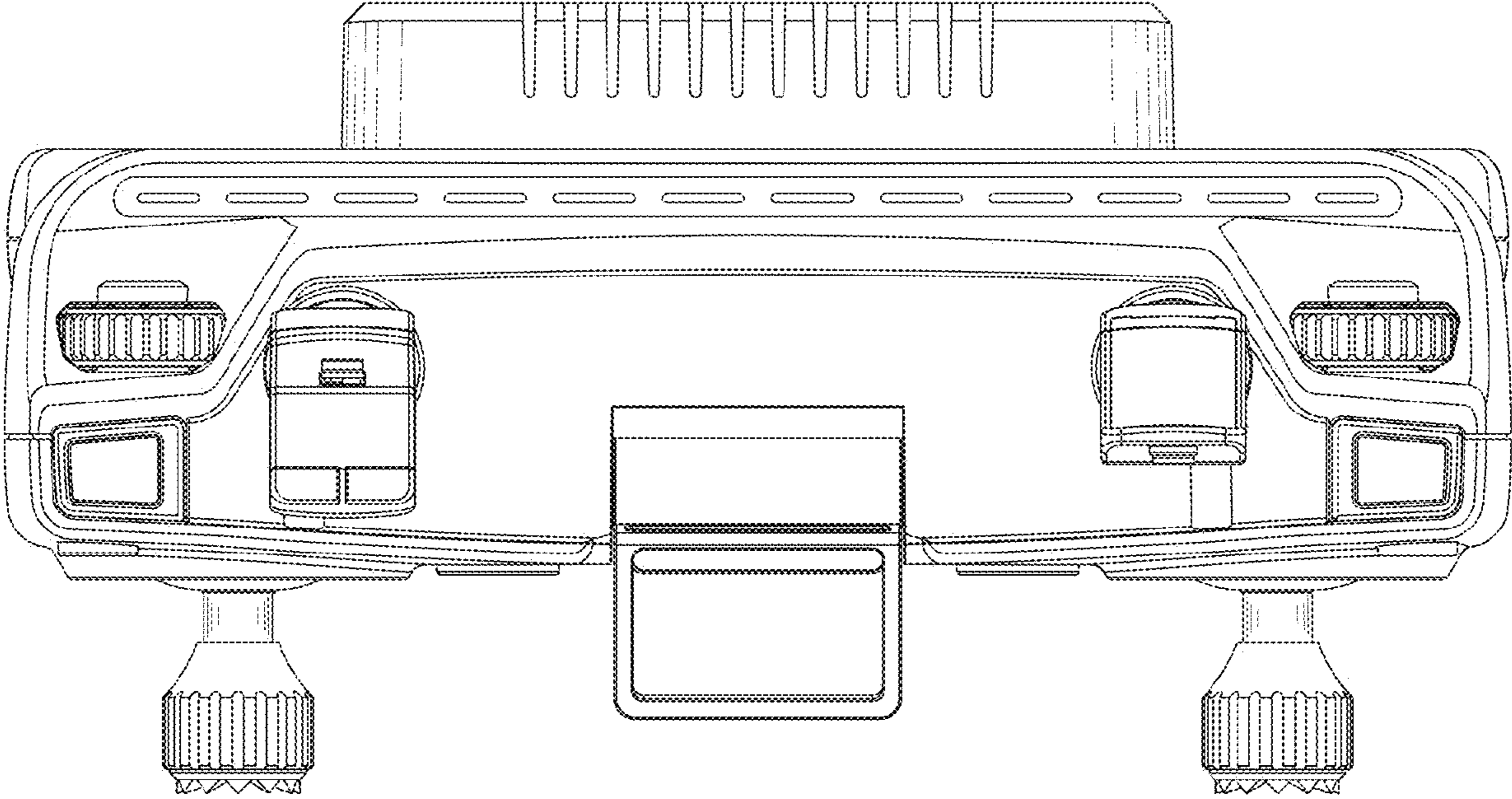


FIG.6

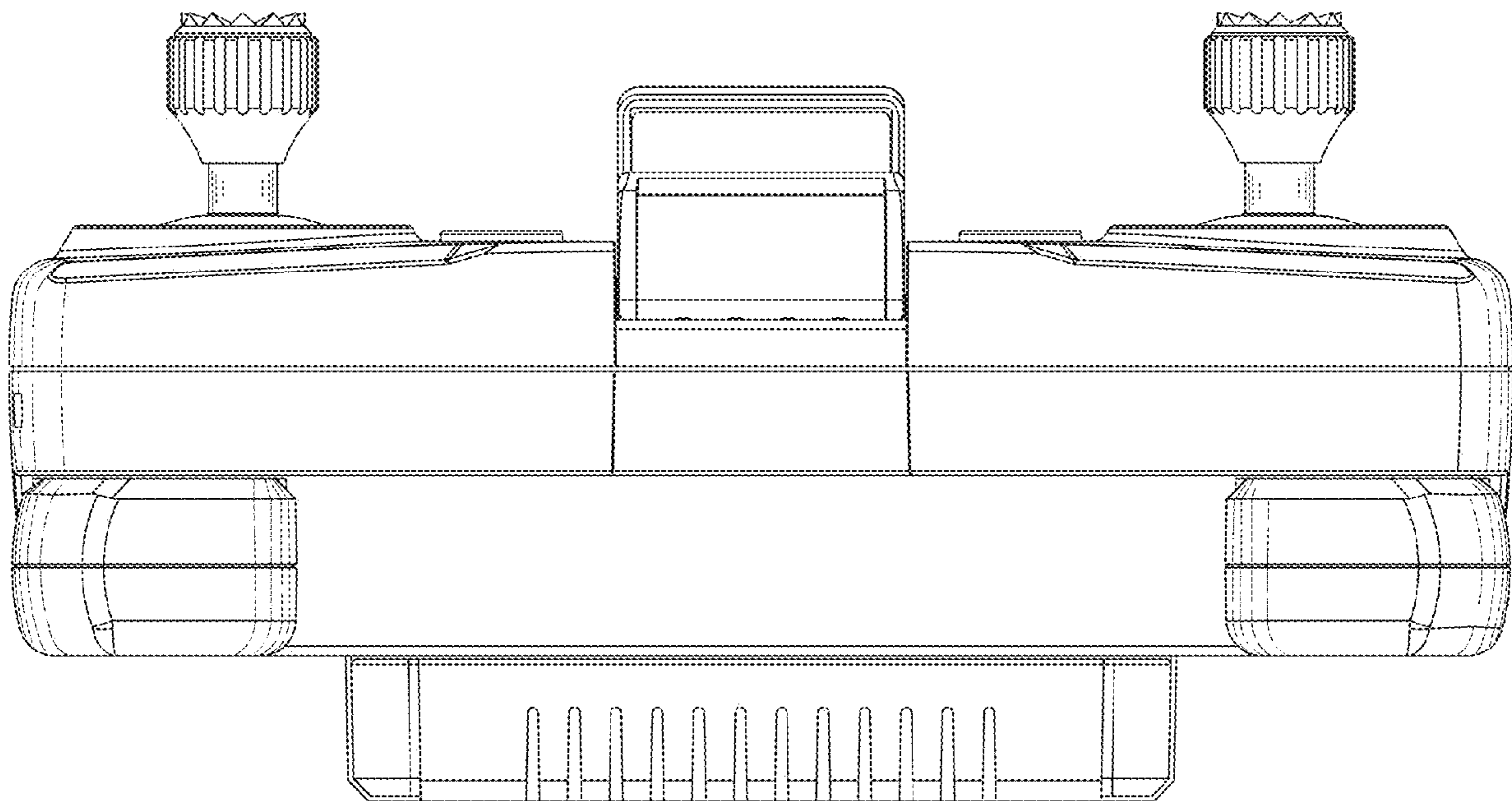


FIG.7



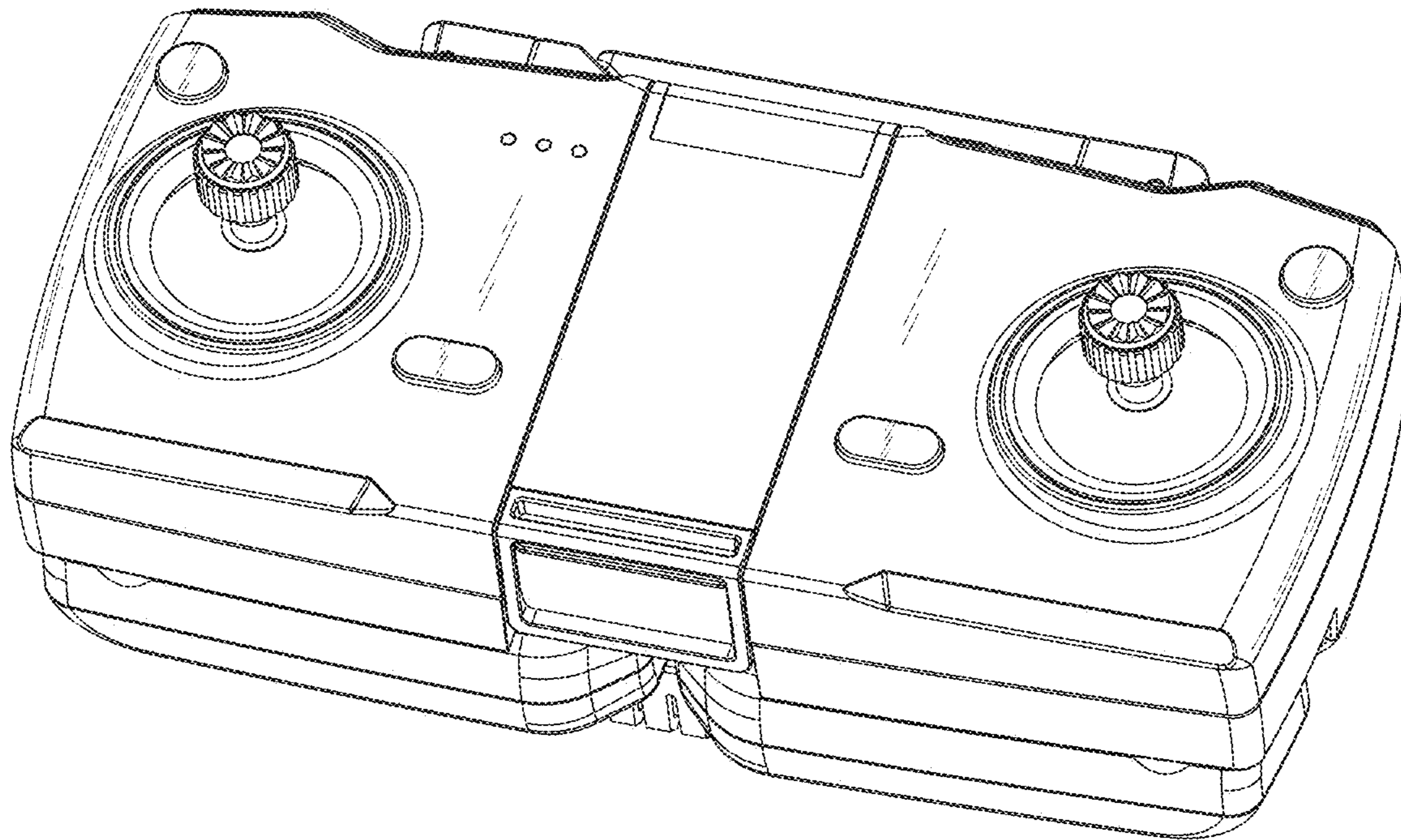


FIG.8