



US00D898128S

(12) **United States Design Patent** (10) **Patent No.:** **US D898,128 S**
Urban et al. (45) **Date of Patent:** **** Oct. 6, 2020**

(54) **GAMING MACHINE**

FOREIGN PATENT DOCUMENTS

(71) Applicant: **Aristocrat Technologies Australia Pty Limited**, North Ryde, NSW (AU)

EP 6496711 A1 4/1995
JP 3210172 A 9/1991

(Continued)

(72) Inventors: **Bruce Urban**, Las Vegas, NV (US);
James Stair, Las Vegas, NV (US);
William Lamb, Eagleville, TN (US);
Dominic DeMarco, Round Rock, TX (US);
Ariel Turgel, San Francisco, CA (US);
Dan Harden, Palo Alto, CA (US)

OTHER PUBLICATIONS

AU Optronics Corp.; News Center: "AUO Announces Multiple Upcoming Innovations"; Oct. 27, 2008; retrieved <http://www.auo.com/?sn=107&lang=en-US&c=10&n=363> (2 pages).

(Continued)

(73) Assignee: **Aristocrat Technologies Australia Pty Limited**, North Ryde, NSW (AU)

Primary Examiner — Ryan Harvey

(**) Term: **15 Years**

(74) *Attorney, Agent, or Firm* — Armstrong Teasdale LLP

(21) Appl. No.: **29/723,448**

(57) **CLAIM**

We claim the ornamental design for a gaming machine, as shown and described.

(22) Filed: **Feb. 6, 2020**

DESCRIPTION

Related U.S. Application Data

(63) Continuation of application No. 29/680,438, filed on Feb. 15, 2019, now Pat. No. Des. 875,838, which is (Continued)

FIG. 1 is a front perspective view of a gaming machine showing our new design;

(51) **LOC (12) Cl.** **21-03**

FIG. 2 is a front view of the gaming machine design shown in FIG. 1;

(52) **U.S. Cl.**

USPC **D21/369**

FIG. 3 is a back view of the gaming machine design shown in FIG. 1;

(58) **Field of Classification Search**

USPC D21/369, 370, 371, 385, 329, 325, 394;
D14/496, 307, 172, 129, 325, 401, 371,

FIG. 4 is a right view of the gaming machine design shown in FIG. 1;

(Continued)

FIG. 5 is a left view of the gaming machine design shown in FIG. 1;

(56) **References Cited**

U.S. PATENT DOCUMENTS

D264,485 S 5/1982 Kitchen
D275,772 S 10/1984 Akopian

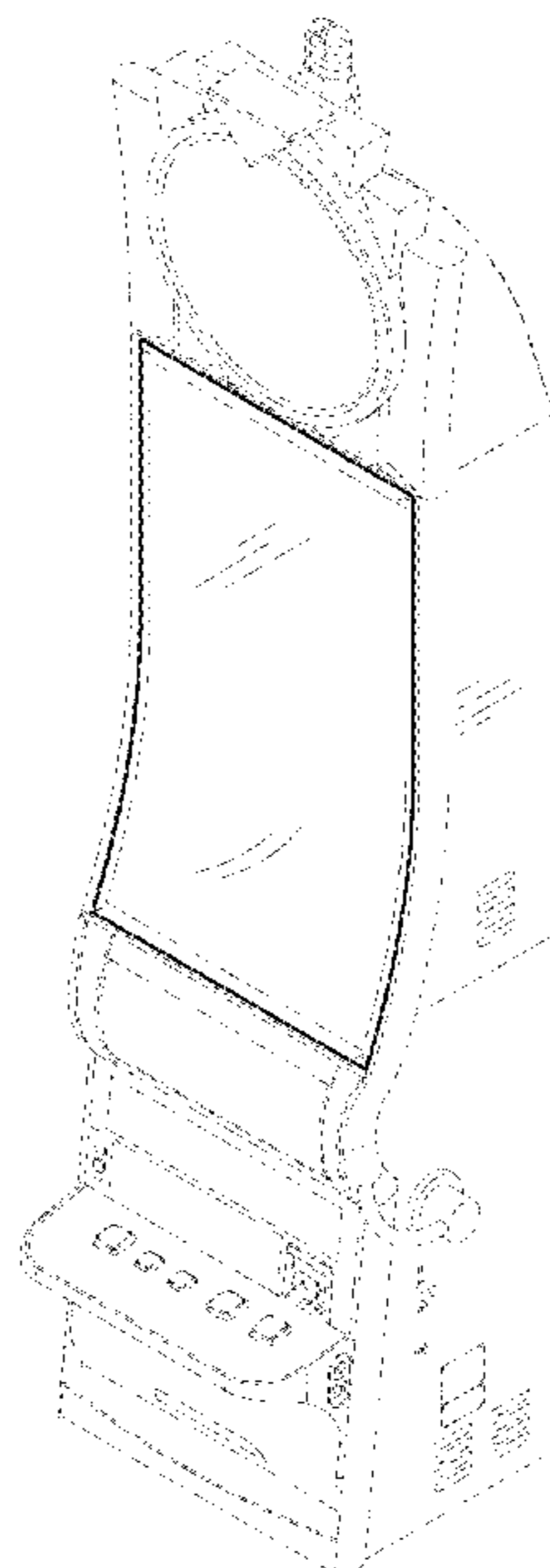
FIG. 6 is a top view of the gaming machine design shown in FIG. 1; and,

(Continued)

FIG. 7 is a bottom view of the gaming machine design shown in FIG. 1.

Broken lines illustrate unclaimed environmental features and form no part of the claimed design.

1 Claim, 7 Drawing Sheets



Related U.S. Application Data

a continuation of application No. 29/616,284, filed on Sep. 5, 2017, now Pat. No. Des. 850,537.

(58) **Field of Classification Search**

USPC D14/126, 439, 432, 450, 128, 375, 248, D14/374, 341, 138 G, 127, 138 R, 451, D14/486; 463/28, 13, 11, 16, 20, 25, 31, 463/46, 23, 30, 17, 36, 29, 42, 34, 32, 35, 463/19, 21, 22; 273/292, 203, 138.2, 273/143 R, 142 R, 138.1; D19/60; D16/226; D8/335, 331, 334; D26/141; D7/641; D6/703.1; D20/43
CPC G07F 17/32; G07F 17/34; G07F 17/3211; G07F 17/3213; G07F 17/3216; G07F 17/3244; G07F 17/3202; G07F 17/3267; G07F 17/3209

See application file for complete search history.

(56) **References Cited**

U.S. PATENT DOCUMENTS

D280,835 S 10/1985 Berge
D280,836 S 10/1985 Ludzia
D315,110 S 3/1991 Slater
D318,660 S 7/1991 Weber
5,120,058 A 6/1992 Trudeau et al.
5,123,647 A 6/1992 Lawlor et al.
5,143,055 A 9/1992 Eakin
5,149,094 A 9/1992 Tastad
D333,164 S 2/1993 Kraft
5,193,807 A 3/1993 Schilling et al.
5,195,746 A 3/1993 Boyd et al.
5,232,191 A 8/1993 Infanti
5,290,034 A 3/1994 Hineman
5,316,303 A 5/1994 Trudeau et al.
5,326,104 A 7/1994 Pease
D351,869 S 10/1994 Rothschild
D352,738 S 11/1994 Anghelo
5,383,663 A 1/1995 Anghelo et al.
5,409,296 A 4/1995 Barile
5,411,257 A 5/1995 Fulton
5,417,423 A 5/1995 Oursler et al.
5,417,425 A 5/1995 Olti et al.
5,437,453 A 8/1995 Hineman
5,465,963 A 11/1995 Patla, Sr.
5,507,488 A 4/1996 Eddy et al.
5,511,783 A 4/1996 Popadiuk et al.
5,516,103 A 5/1996 Lawlor et al.
5,522,641 A 6/1996 Infanti
5,524,887 A 6/1996 Trudeau et al.
5,533,726 A 7/1996 Nordman et al.
5,542,748 A 8/1996 Barile
D376,391 S 12/1996 Okumura
5,580,052 A 12/1996 Popadiuk et al.
5,632,482 A 5/1997 Anghelo
D380,014 S 6/1997 Yang
5,655,965 A 8/1997 Takemoto et al.
5,664,777 A 9/1997 Nordman et al.
5,669,818 A 9/1997 Thorner et al.
5,678,886 A 10/1997 Infanti
5,704,835 A 1/1998 Dietz, II
5,720,480 A 2/1998 Lawlor et al.
D395,463 S 6/1998 Scott
5,762,617 A 6/1998 Infanti
5,791,731 A 8/1998 Infanti
5,806,851 A 9/1998 Gomez et al.
5,820,460 A 10/1998 Fulton
5,833,236 A 11/1998 Oursler et al.
D405,473 S 2/1999 Tikhonski
D407,759 S 4/1999 Isetani
5,890,715 A 4/1999 Gomez et al.
5,934,672 A 8/1999 Sines et al.
5,938,195 A 8/1999 Anghelo et al.

5,944,309 A 8/1999 Popadiuk et al.
D417,145 S 11/1999 McLaughlin
5,984,782 A 11/1999 Inoue
6,000,697 A 12/1999 Popadiuk et al.
D419,201 S 1/2000 de Haas
D419,606 S 1/2000 Toriyama
6,036,188 A 3/2000 Gomez et al.
6,047,962 A 4/2000 Popadiuk
6,047,963 A 4/2000 Pierce et al.
D424,122 S 5/2000 Dickenson
6,071,190 A 6/2000 Weiss et al.
D428,062 S 7/2000 Hayashi
6,089,663 A 7/2000 Hill
6,102,394 A 8/2000 Wurz
6,113,097 A 9/2000 Krutsch
6,117,010 A 9/2000 Canterbury et al.
6,120,021 A 9/2000 Piotrowski et al.
6,129,353 A 10/2000 Demar et al.
6,129,355 A 10/2000 Hahn et al.
6,135,449 A 10/2000 Cornell et al.
6,149,153 A 11/2000 Sheats, Jr.
6,155,565 A 12/2000 Gomez et al.
6,155,925 A 12/2000 Giobbi et al.
6,158,737 A 12/2000 Cornell et al.
6,159,098 A 12/2000 Slomiany et al.
6,164,644 A 12/2000 Cornell et al.
6,173,955 B1 1/2001 Perrie et al.
6,199,861 B1 3/2001 Hume et al.
D439,931 S 4/2001 Yamaguchi
6,210,279 B1 4/2001 Dickinson
6,224,482 B1 5/2001 Bennett
6,227,614 B1 5/2001 Rubin
6,227,970 B1 5/2001 Shimizu et al.
D443,313 S 6/2001 Brettschneider
D446,252 S 8/2001 Yamaguchi
6,283,546 B1 9/2001 Hill
6,290,229 B1 9/2001 Perez
D450,094 S 11/2001 Hedrick
6,334,612 B1 1/2002 Wurz et al.
6,354,660 B1 3/2002 Friedrich
D459,402 S 6/2002 Wurz
6,422,670 B1 7/2002 Hedrick et al.
6,422,941 B1 7/2002 Thorner et al.
6,439,993 B1 8/2002 O'Halloran
D463,504 S 9/2002 Stephan
D464,377 S 10/2002 Wurz
D465,813 S 11/2002 Randall
D466,160 S 11/2002 Hirato
D467,977 S 12/2002 Gatto
D468,364 S 1/2003 Beadell
6,530,842 B1 3/2003 Wells et al.
6,572,187 B2 6/2003 Laufer
6,589,114 B2 7/2003 Rose
6,609,972 B2 8/2003 Seelig et al.
6,616,142 B2 9/2003 Adams
6,620,047 B1 9/2003 Alcorn et al.
D481,078 S 10/2003 Stephan
6,646,695 B1 11/2003 Gauselmann
6,652,378 B2 11/2003 Cannon et al.
D483,075 S 12/2003 Kang
D484,548 S 12/2003 Franco Munoz
D485,583 S 1/2004 Porto
6,715,756 B2 4/2004 Inoue
6,729,618 B1 5/2004 Koenig et al.
D492,363 S 6/2004 Seelig
D492,364 S 6/2004 Seelig
D492,365 S 6/2004 Munoz
D492,676 S 7/2004 Monson
D493,843 S 8/2004 Jackson, Sr.
D493,846 S 8/2004 Seelig
D495,754 S 9/2004 Wurz
D495,755 S 9/2004 Wurz
D498,267 S 11/2004 Crouch
D500,098 S 12/2004 Doi
6,880,825 B2 4/2005 Seelig et al.
D505,162 S 5/2005 Bristol
D508,268 S 8/2005 Hanchar
D508,269 S 8/2005 Wichinsky
D508,719 S 8/2005 de Haas

(56)

References Cited

U.S. PATENT DOCUMENTS

D508,961 S	8/2005	Gatto	7,976,393 B2	7/2011	Haga et al.
D509,254 S	9/2005	Rasmussen	7,985,139 B2	7/2011	Lind et al.
D509,255 S	9/2005	Bristol	8,002,424 B2	8/2011	Hwang et al.
D512,105 S	11/2005	Chitrapongse	8,002,626 B2	8/2011	Englman
D513,511 S	1/2006	Decombe	D646,336 S	10/2011	Kelly
D515,144 S	2/2006	Boyd	D646,337 S	10/2011	Kelly
6,997,810 B2	2/2006	Cole	D646,691 S	10/2011	Thai
D520,504 S	5/2006	Martin	D649,605 S	11/2011	Terpstra
7,063,615 B2	6/2006	Alcorn et al.	D651,608 S	1/2012	Allen
D525,664 S	7/2006	Cole	8,152,623 B2	4/2012	Fiden
7,108,237 B2	9/2006	Gauselmann	8,162,740 B2	4/2012	Aoki
D531,677 S	11/2006	Mallory	8,216,061 B2	7/2012	Pacey
7,184,277 B2	2/2007	Beirne	8,267,764 B1	9/2012	Aoki et al.
D537,885 S	3/2007	Gadda	D669,076 S	10/2012	Haller
D539,854 S	4/2007	Luciano	8,292,451 B2	10/2012	Hwang et al.
D540,398 S	4/2007	Gadda	8,303,420 B2	11/2012	Chudek et al.
D546,893 S	7/2007	Yamashita	8,305,743 B2	11/2012	Wu et al.
7,247,098 B1	7/2007	Bradford et al.	8,323,114 B2	12/2012	Burak et al.
D548,801 S	8/2007	Groswirt	D673,620 S	1/2013	Johnson
D549,785 S	8/2007	Luciano, Jr.	8,353,755 B2	1/2013	Vann et al.
7,267,612 B2	9/2007	Alcorn et al.	8,371,920 B2	2/2013	Gomez et al.
D554,710 S	11/2007	Malone	8,371,927 B2	2/2013	Englman
D556,765 S	12/2007	Evans	8,371,928 B2	2/2013	Englman
D557,748 S	12/2007	Jumper	8,376,832 B2	2/2013	O'Connor et al.
D559,917 S	1/2008	Cole	D678,955 S	3/2013	Lesley
D560,724 S	1/2008	Johnson	D678,956 S	3/2013	Lesley
D560,725 S	1/2008	Johnson	D678,957 S	3/2013	Cesaroni
D563,421 S	3/2008	Yamashita	D678,958 S	3/2013	Cesaroni
D563,481 S	3/2008	Looks	D681,130 S	4/2013	Lesley
D564,600 S	3/2008	Greenberg	8,430,756 B2	4/2013	McComb et al.
D564,601 S	3/2008	Strahinic	D682,948 S	5/2013	Cesaroni
D566,197 S	4/2008	Greenberg	D685,033 S	6/2013	Wudtke
D569,863 S	5/2008	Feldstein	8,502,788 B2	8/2013	Cho
D572,314 S	7/2008	Vallejo	D691,665 S	10/2013	Chudek
D578,168 S	10/2008	Looks	D691,666 S	10/2013	Lesley
D581,983 S	12/2008	Bergstrom	D693,343 S	11/2013	Haller
RE40,625 E	1/2009	Wurz	D697,558 S	1/2014	Myers
7,479,066 B2	1/2009	Emori	D704,273 S	5/2014	Chudek
D587,272 S	2/2009	Morrow	D704,275 S	5/2014	Lesley
D587,319 S	2/2009	Moises Deiab	D706,359 S	6/2014	Wudtke
RE40,671 E	3/2009	Wurz	D706,741 S	6/2014	Myers
7,503,849 B2	3/2009	Hornik et al.	D707,646 S	6/2014	Kim
D590,025 S	4/2009	Fiore	D712,975 S	9/2014	Lesley
D591,360 S	4/2009	Fiore	D713,811 S	9/2014	Isaacs
D594,068 S	6/2009	Hsu	D714,269 S	9/2014	Lee
D596,678 S	7/2009	Myers	D714,270 S	9/2014	Lee
D599,365 S	9/2009	Brown	D714,271 S	9/2014	Lee
D599,858 S	9/2009	Lesley	D714,875 S	10/2014	Wudtke
D599,859 S	9/2009	Lesley	D715,364 S	10/2014	Wudtke
D599,860 S	9/2009	Lesley	D716,246 S	10/2014	Yun
D601,637 S	10/2009	Myers	D719,615 S *	12/2014	Inoue D21/370
D601,638 S	10/2009	Palmisano	D719,616 S	12/2014	Inoue
D604,368 S	11/2009	Lesley	D726,140 S	4/2015	Park
7,628,693 B2	12/2009	Thomas	D730,993 S	6/2015	Castro
7,666,085 B2	2/2010	Vorias et al.	D732,520 S	6/2015	Themann
D612,432 S	3/2010	De Viveiros Ortiz	D733,088 S	6/2015	Garneau
7,686,689 B2	3/2010	Thomas	D736,751 S *	8/2015	Lee D14/248
D613,802 S	4/2010	Meyers	D736,752 S *	8/2015	Lee D14/248
D615,598 S	5/2010	McComb	D740,888 S	10/2015	DePalma
7,713,119 B2	5/2010	Pacey et al.	D742,974 S	11/2015	Lesley
D622,780 S	8/2010	Lesley	D742,975 S	11/2015	Myers
D622,781 S	8/2010	Lesley	D744,579 S	12/2015	Cope
D622,782 S	8/2010	Chudek	D747,718 S	1/2016	Drabant
D626,182 S	10/2010	Cole	D760,846 S	7/2016	Castro
D626,183 S	10/2010	Cole	D762,613 S *	8/2016	Garneau D14/172
7,811,167 B2	10/2010	Giobbi et al.	RE46,169 E	10/2016	Kelly
D631,060 S	1/2011	Flik	D770,406 S	11/2016	Fleming, Jr.
D631,100 S	1/2011	Palmisano	D786,242 S	5/2017	Ho
D633,950 S	3/2011	Terpstra	D803,323 S	11/2017	Bussey
D637,238 S	5/2011	O'Keene	D808,354 S	1/2018	Castro
D637,652 S	5/2011	Tahara	D812,146 S *	3/2018	Castro D21/369
7,938,728 B2	5/2011	Vetter et al.	D812,147 S *	3/2018	Castro D21/369
7,942,417 B2	5/2011	Smith	D812,148 S *	3/2018	Castro D21/369
7,955,176 B2	6/2011	Tastad et al.	D812,149 S *	3/2018	Castro D21/369
D641,047 S	7/2011	Tahara	D819,747 S *	6/2018	Castro D21/369
			D820,915 S	6/2018	Lee
			10,181,236 B2 *	1/2019	Goldstein G07F 17/3216
			D842,930 S	3/2019	Johnson
			D842,932 S	3/2019	Stair

(56)

References Cited

U.S. PATENT DOCUMENTS

D843,458 S * 3/2019 Castro D21/369
 D843,459 S 3/2019 Castro
 D843,465 S 3/2019 Castro
 D843,467 S 3/2019 Johnson
 D843,468 S 3/2019 Johnson
 D843,473 S 3/2019 Zedell, Jr.
 D843,477 S * 3/2019 Lesley D21/369
 D843,478 S * 3/2019 Lesley D21/369
 D843,479 S * 3/2019 Castro D21/369
 D843,480 S * 3/2019 Castro D21/369
 D843,482 S * 3/2019 Holland D21/396
 D844,062 S * 3/2019 Lesley D21/369
 D846,650 S 4/2019 Stair
 10,262,501 B2 4/2019 Satterlie
 D850,537 S * 6/2019 Urban D21/370
 D870,820 S * 12/2019 Urban D21/369
 D871,507 S * 12/2019 Urban D21/369
 D872,190 S * 1/2020 Zedell, Jr. D21/369
 10,565,831 B2 * 2/2020 Bolling, Jr. G07F 17/3267
 10,593,152 B1 * 3/2020 Schwartz G07F 17/3239
 10,600,286 B2 * 3/2020 Marks G07F 17/3262
 10,614,655 B2 * 4/2020 Kania G07F 17/34
 10,621,815 B2 * 4/2020 Essex G07F 17/34
 10,621,827 B2 * 4/2020 Bolling, Jr. G07F 17/3258
 10,621,829 B2 * 4/2020 Loader G07F 17/3269
 10,636,244 B1 * 4/2020 Winston G07F 17/3216
 10,636,250 B2 * 4/2020 Bolling, Jr. G07F 17/326
 10,643,422 B2 * 5/2020 Patel E05D 5/06
 2002/0041069 A1 4/2002 Steelman
 2003/0122973 A1 7/2003 Huang
 2003/0224853 A1 * 12/2003 Guindulain Vidondo
 G07F 17/32
 463/20
 2004/0018877 A1 1/2004 Tastad et al.
 2004/0029631 A1 2/2004 Duhamel et al.
 2004/0053662 A1 3/2004 Pacey
 2005/0014547 A1 1/2005 Gomez et al.
 2006/0009284 A1 1/2006 Schwartz et al.
 2006/0034042 A1 2/2006 Hisano et al.
 2006/0079316 A1 4/2006 Flemming et al.
 2006/0131810 A1 6/2006 Nicely et al.
 2006/0183553 A1 8/2006 Kiriyama et al.
 2006/0199638 A1 9/2006 Walker et al.
 2006/0281559 A1 12/2006 Luciano
 2006/0287111 A1 12/2006 Mitchell et al.
 2008/0039213 A1 2/2008 Cornell et al.
 2008/0051202 A1 2/2008 Lube
 2008/0188293 A1 8/2008 Rasmussen et al.
 2009/0174996 A1 7/2009 Park
 2010/0053231 A1 3/2010 Park
 2012/0122569 A1 5/2012 Kowolik et al.
 2013/0278875 A1 10/2013 Kim et al.
 2013/0321373 A1 12/2013 Yoshizumi
 2013/0321740 A1 12/2013 An et al.
 2014/0092356 A1 4/2014 Ahn et al.
 2014/0176856 A1 6/2014 Lee et al.
 2014/0226111 A1 8/2014 Kim
 2014/0226112 A1 8/2014 Kim et al.
 2014/0226275 A1 8/2014 Ko et al.
 2015/0036073 A1 2/2015 Im et al.
 2015/0050982 A1 * 2/2015 Brooks G07F 17/3213
 463/20
 2015/0116621 A1 4/2015 Park et al.

2015/0116625 A1 4/2015 Hwang et al.
 2015/0301390 A1 10/2015 Kim et al.
 2016/0093142 A1 3/2016 Lamb et al.
 2016/0093143 A1 3/2016 Lamb et al.
 2016/0364946 A1 12/2016 Castro et al.
 2017/0039803 A1 2/2017 Lesley et al.
 2017/0092052 A1 3/2017 McKay et al.
 2018/0078854 A1 3/2018 Achmueller et al.
 2018/0190068 A1 * 7/2018 Priddy G07F 17/3211
 2019/0012874 A1 1/2019 Goldstein et al.
 2019/0073879 A1 * 3/2019 Marks G07F 17/3267
 2019/0311570 A1 * 10/2019 Lamb G07F 17/34

FOREIGN PATENT DOCUMENTS

KR 101113734 B1 2/2012
 KR 102012051630 A 5/2012
 KR 101268471 B1 6/2013
 KR 101278904 B1 6/2013
 KR 101336677 B1 12/2013
 KR 101381609 B1 4/2014
 KR 101381610 B1 4/2014
 KR 102015013987 A 2/2015
 KR 101539221 B1 7/2015
 TW 200949775 A 12/2009

OTHER PUBLICATIONS

DigiTimes Inc.; FPD China 2009: AUO 8.9-inch convex display panel; Mar. 12, 2009; retrieved from <<http://digitimes.com/photogallery/showphoto.asp?ID=3376>> (3 pages).
 Gizmodo.com; AUO Curved Displays, Ultra Thin LCDs on the Way; May 20, 2008; retrieved from <<http://gizmodo.com/392248/auo-curved-displays-ultra-thin-lcds-on-the-way>> (2 pages).
 PC World; "AU Optronics Shows off Curved LCD Screen"; May 20, 2008; retrieved from <<http://pcworld.com/article.amp.html>> (3 pages).
 NewLaunches.com; "LG Phillips LCD develops world's highest resolution 14.3-inch flexible color E-paper display!"; Jan. 3, 2008; retrieved from <http://newlaunches.com/archives.lgphilips_lcd_develops_worlds_highest_resolution_143inch_flexible_color_epaper_display.php> (4 pages).
 Denison; "Why can't you buy a flat OLED yet? The curve isn't just about viewing experience"; Digital Trends; Aug. 18, 2013; retrieved from <<http://digitaltrends.com/home-theater/why-did-the-us-get-stuck-with-curved-oled#!zXypT>> (8 pages).
 Snider; "Sony tosses latest pitch for curved TV displays"; USA Today; Oct. 15, 2013; retrieved from <<http://www.usatoday.com/story/tech/personal/2013/10/15/new-curved-sony-led-hdtv/2982051/>> (2 pages).
 Daniel; "Curved Monitors-Overview"; Curved Monitor Test; Aug. 28, 2015; retrieved from <<http://www.curved-monitor-test.de/>> (5 pages).
 Matthias; "Curved TV-Overview"; Curved TV Test; Apr. 20, 2016; retrieved from <<https://technikblog.net/fernseher-test/curved-tv/>> (16 pages, in German).
 Morrison; "Curved OLED HDTV screens are a bad idea (for now)"; CNET; Jun. 18, 2013; retrieved from <<http://www.cnet.com/news/curved-oled-hdtv-screens-are-a-bad-idea-for-now/>> (9 pages).

* cited by examiner

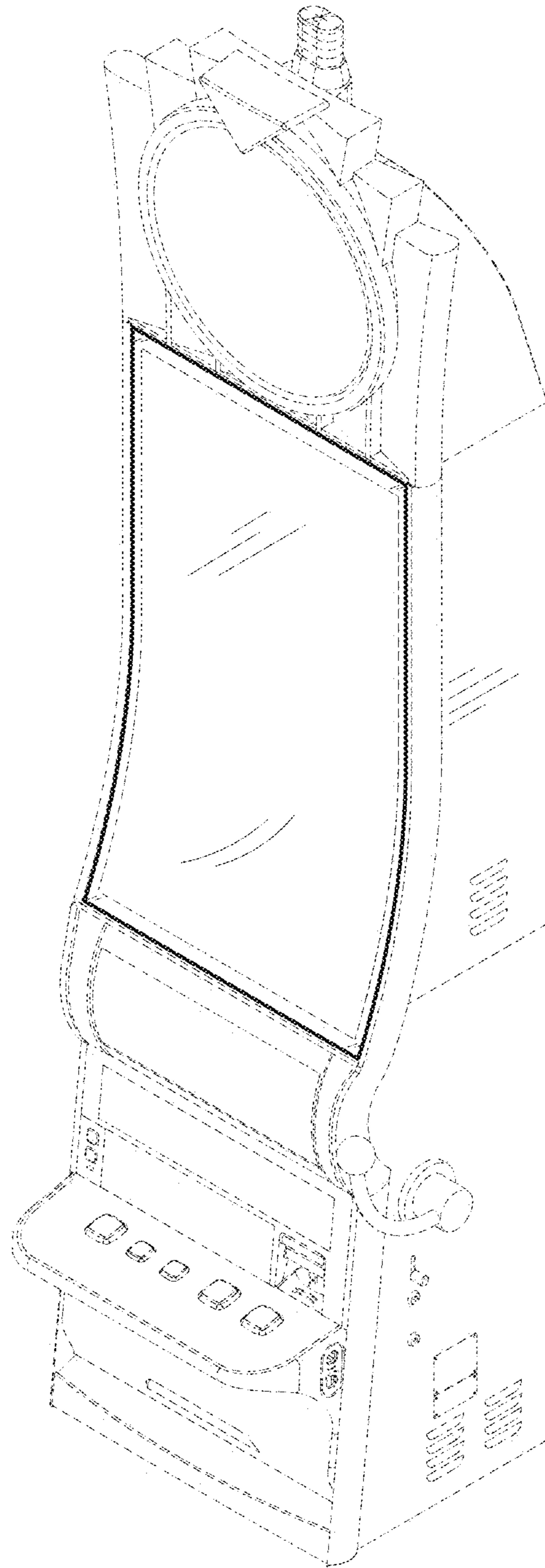


FIG. 1

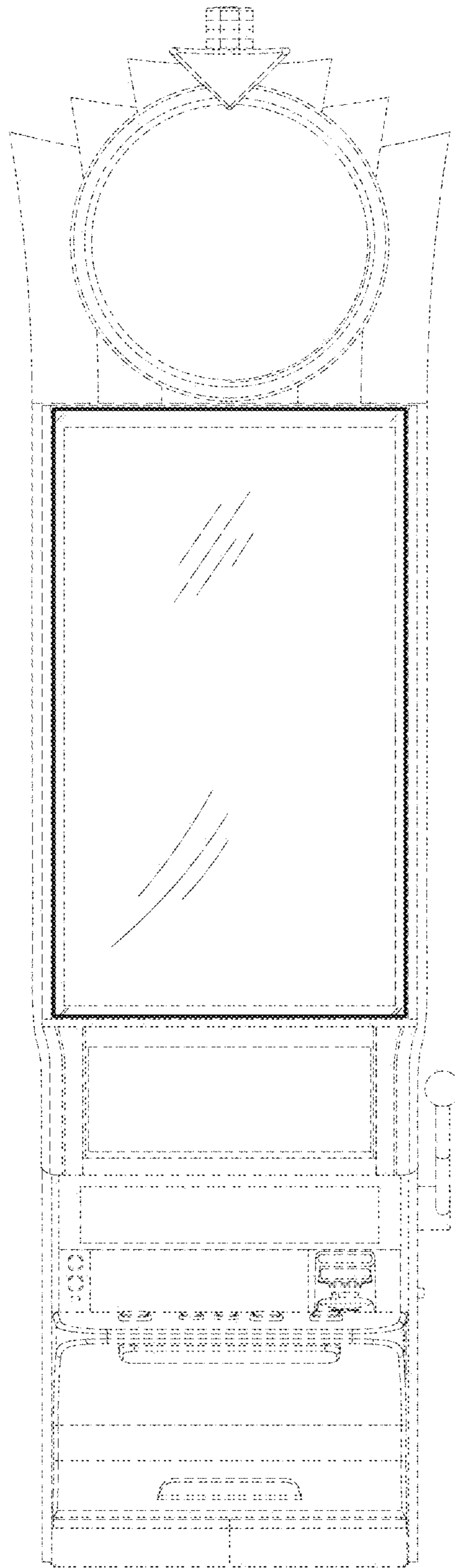


FIG. 2

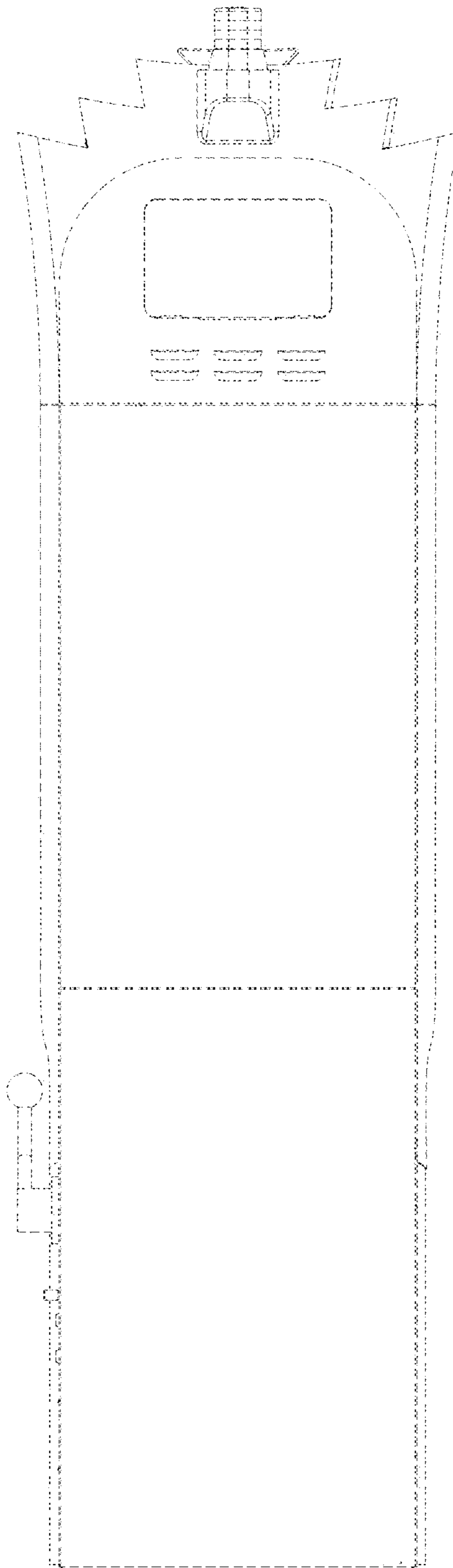


FIG. 3

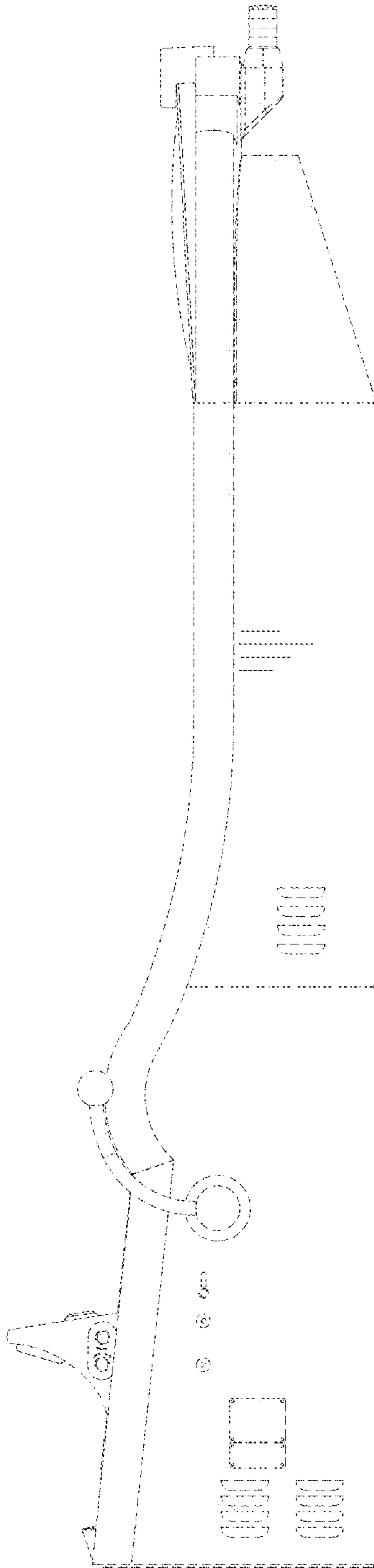


FIG. 4

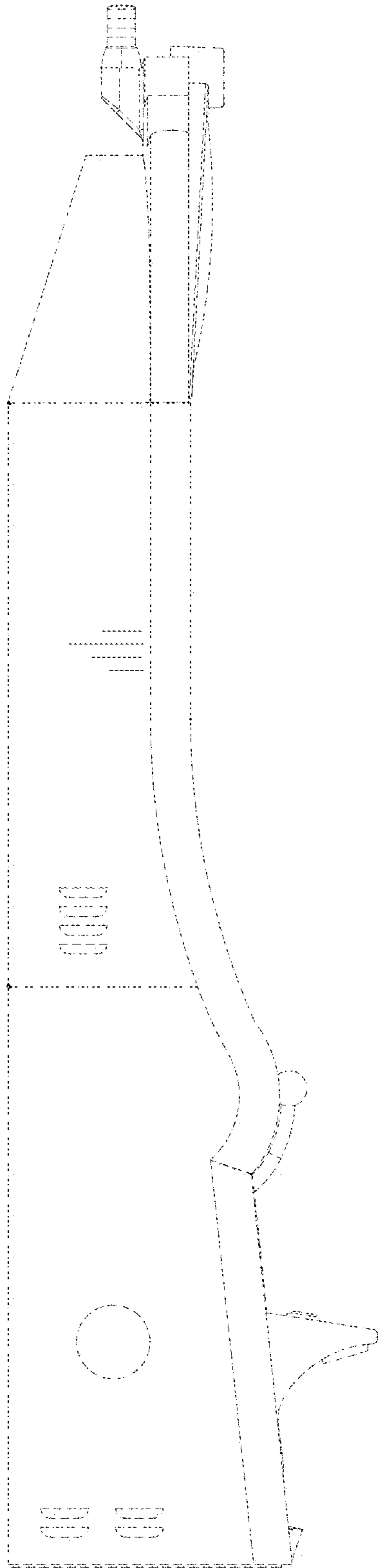


FIG. 5

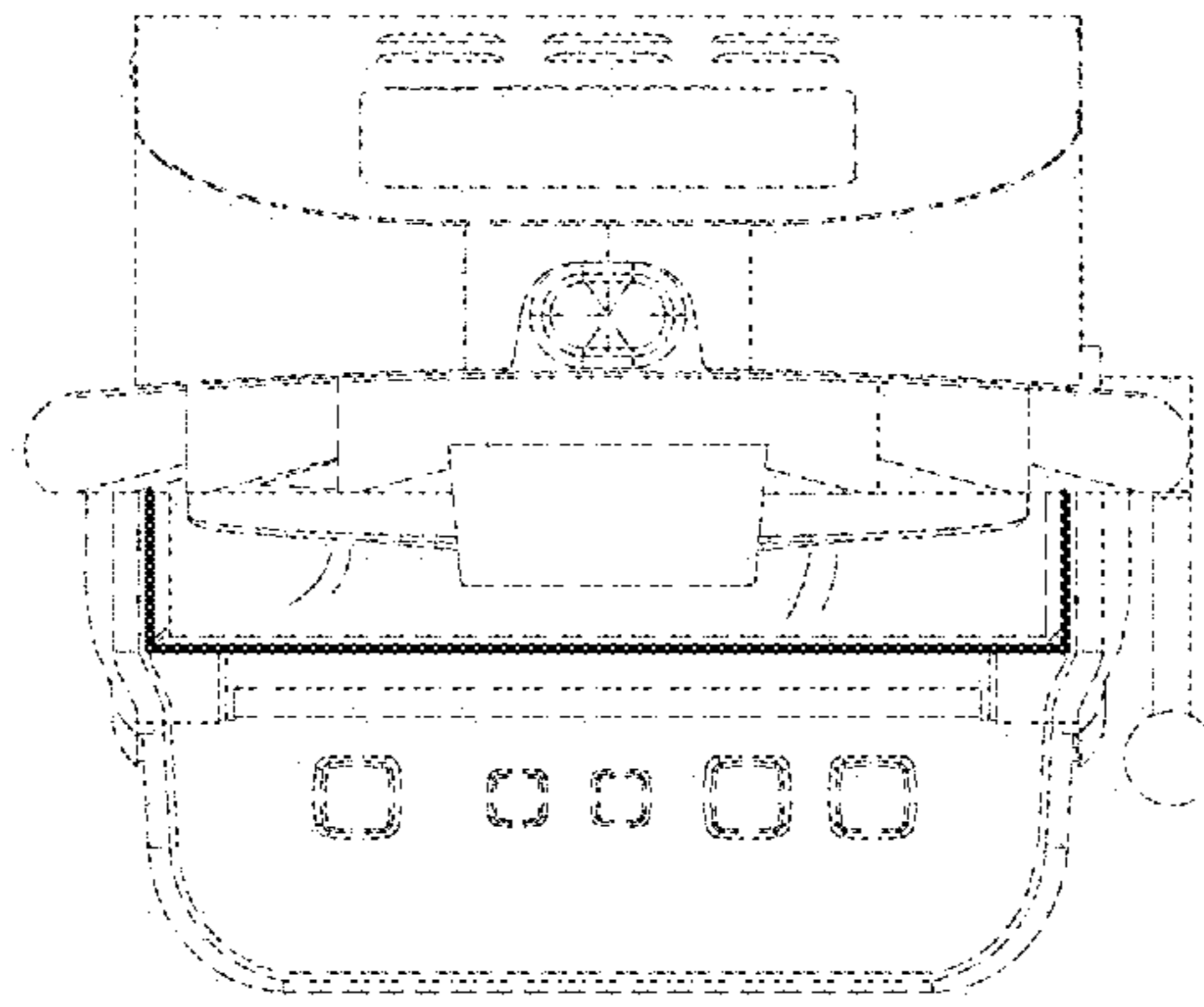


FIG. 6

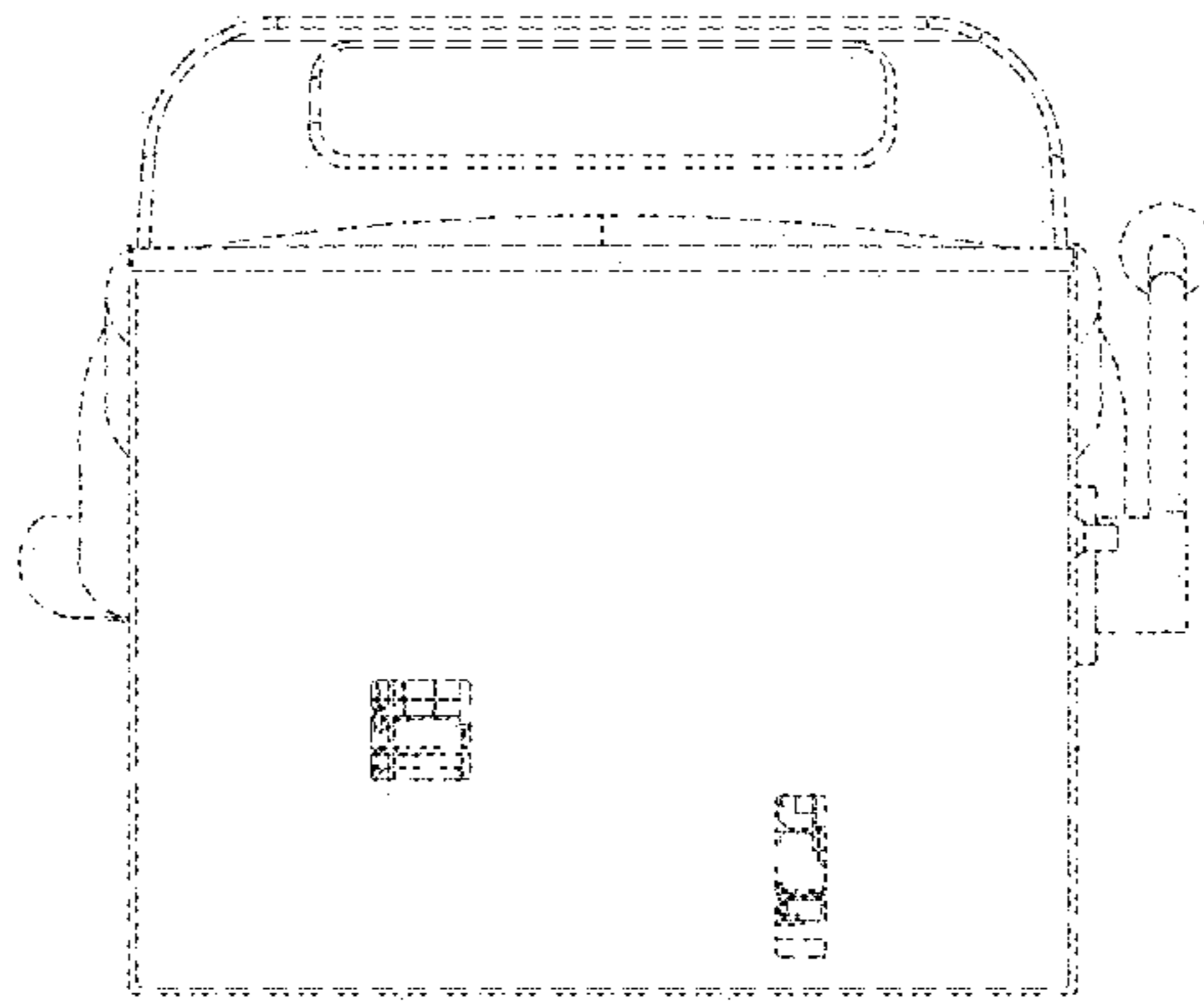


FIG. 7