



US00D898124S

(12) **United States Design Patent**
Tong

(10) **Patent No.:** **US D898,124 S**

(45) **Date of Patent:** **** Oct. 6, 2020**

(54) **CONTROLLER**

(71) Applicant: **RAZER (ASIA-PACIFIC) PTE. LTD.**,
Singapore (SG)

(72) Inventor: **Ien Yu Tong**, Singapore (SG)

(73) Assignee: **RAZER (ASIA-PACIFIC) PTE. LTD.**,
Singapore (SG)

(**) Term: **15 Years**

(21) Appl. No.: **29/699,167**

(22) Filed: **Jul. 23, 2019**

(51) **LOC (12) Cl.** **21-01**

(52) **U.S. Cl.**
USPC **D21/333; D14/401**

(58) **Field of Classification Search**
USPC D14/400, 401, 412, 356, 358, 383, 388,
D14/454, 203.3, 218, 426-431; D21/333,
D21/324, 328; D13/162, 162.1, 163,
D13/168-172; D10/78, 103
CPC A63F 13/00; A63F 13/02; A63F 13/20;
A63F 13/24; A63F 13/25; A63F 13/90;
A63F 13/98; G06F 3/014; G06F 3/017;
G05G 9/047

See application file for complete search history.

(56) **References Cited**

U.S. PATENT DOCUMENTS

D363,321 S	*	10/1995	Hsien	D14/401
D382,916 S	*	8/1997	Oikawa	D14/401
D618,287 S	*	6/2010	Biheller	D21/328
D780,180 S	*	2/2017	Ironmonger	D14/401

(Continued)

OTHER PUBLICATIONS

“Razer Raion Fightpad Gaming Controller Review,” Razer Raion Fightpad Gaming Controller pictured therein, online, post date Mar.

3, 2020, URL: <https://www.ign.com/articles/razer-raion-fightpad-gaming-controller-review>, retrieved Aug. 11, 2020.*

(Continued)

Primary Examiner — Jeffrey D Asch

Assistant Examiner — Rebekah A Caruso

(74) *Attorney, Agent, or Firm* — Polsinelli PC

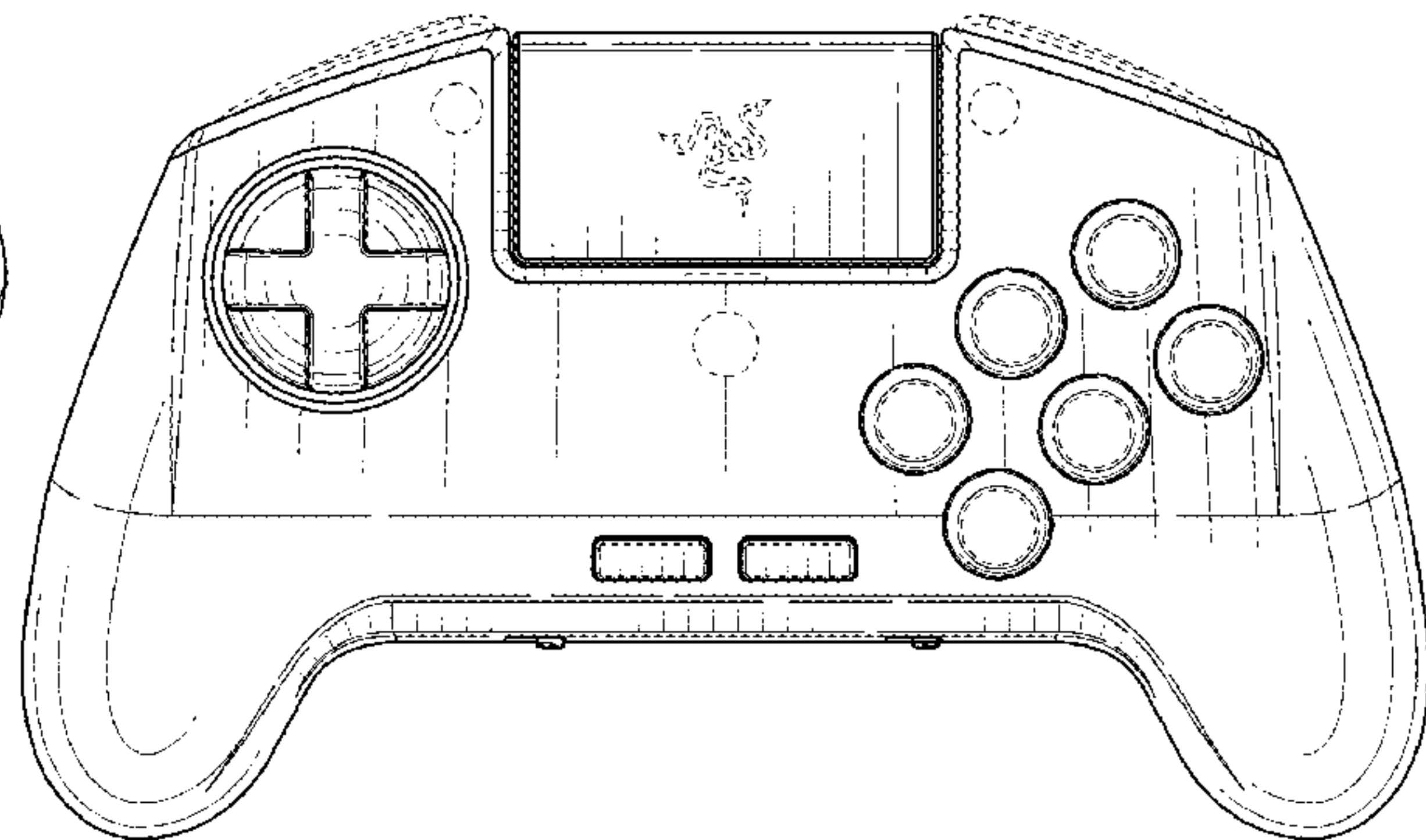
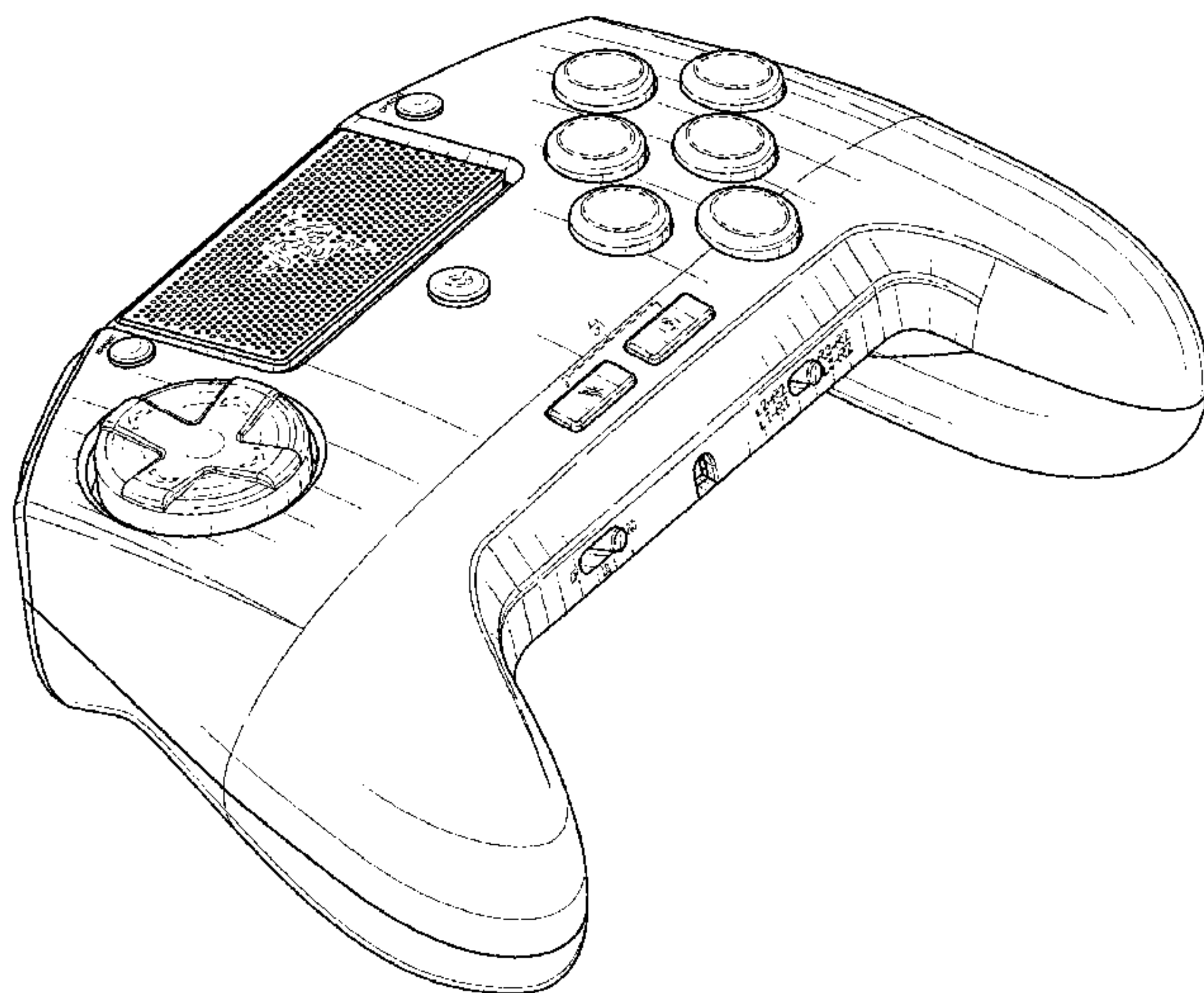
(57) **CLAIM**

I claim the ornamental design for a controller, as shown and described.

DESCRIPTION

FIG. 1 is a perspective view of a first embodiment of a controller, showing my new design;
 FIG. 2 is a front elevational view thereof;
 FIG. 3 is a rear elevational view thereof;
 FIG. 4 is a left side elevational view thereof;
 FIG. 5 is a right side elevational view thereof;
 FIG. 6 is a top plan view thereof; and
 FIG. 7 is a bottom plan view thereof.
 FIG. 8 is a perspective view of a second embodiment of a controller;
 FIG. 9 is a front elevational view thereof;
 FIG. 10 is a rear elevational view thereof;
 FIG. 11 is a left side elevational view thereof;
 FIG. 12 is a right side elevational view thereof;
 FIG. 13 is a top plan view thereof; and
 FIG. 14 is a bottom plan view thereof.
 FIG. 15 is a perspective view of a third embodiment of a controller;
 FIG. 16 is a front elevational view thereof;
 FIG. 17 is a rear elevational view thereof;
 FIG. 18 is a left side elevational view thereof;
 FIG. 19 is a right side elevational view thereof;
 FIG. 20 is a top plan view thereof; and,
 FIG. 21 is a bottom plan view thereof.
 The broken lines are for illustrating portions of the controller which form no part of the embodiment in which they are shown.

1 Claim, 12 Drawing Sheets



(56)

References Cited

U.S. PATENT DOCUMENTS

D794,027	S	*	8/2017	Ironmonger	D14/401
D819,641	S	*	6/2018	Tsuchiya	D14/401
D850,447	S	*	6/2019	Fulghum	D14/401
D870,817	S	*	12/2019	Yeung	D21/333
D881,281	S	*	4/2020	Tong	D21/333
D888,832	S	*	6/2020	Tong	D21/333
D889,549	S	*	7/2020	Ironmonger	D21/333
D889,550	S	*	7/2020	Ironmonger	D21/333
D890,263	S	*	7/2020	Tong	D21/333

OTHER PUBLICATIONS

“Review: Razer Raiju Tournament Edition Controller—Simply the best,” Razer Raiju Tournament Edition Controller pictured therein, online, post date Sep. 17, 2018, URL: <https://mspouser.com/review-razer-raiju-tournament-edition-controller-simply-the-best/>, retrieved Aug. 11, 2020.*

* cited by examiner



FIG. 1

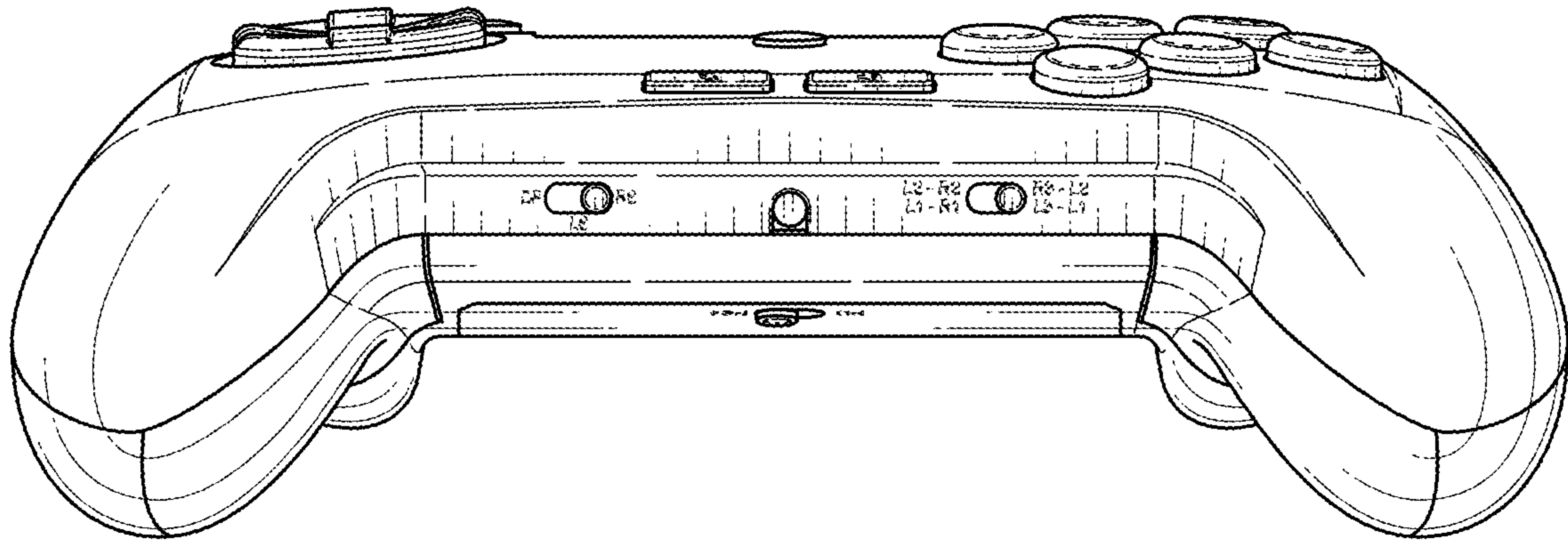


FIG. 2

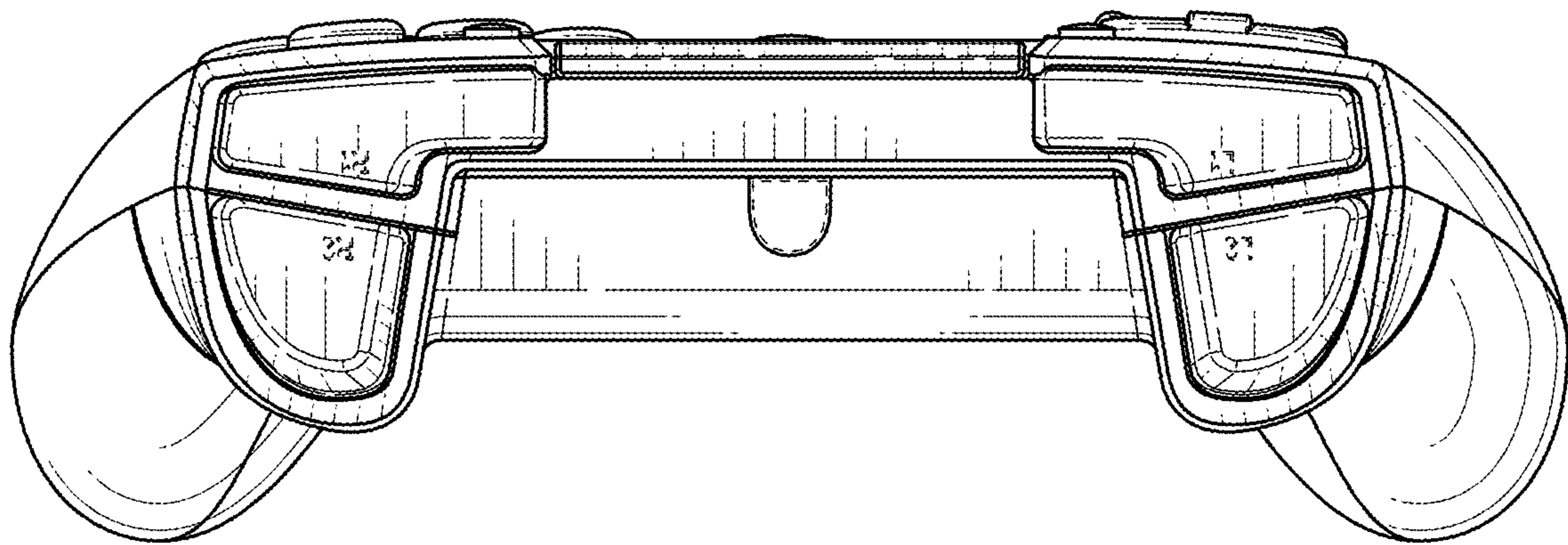


FIG. 3

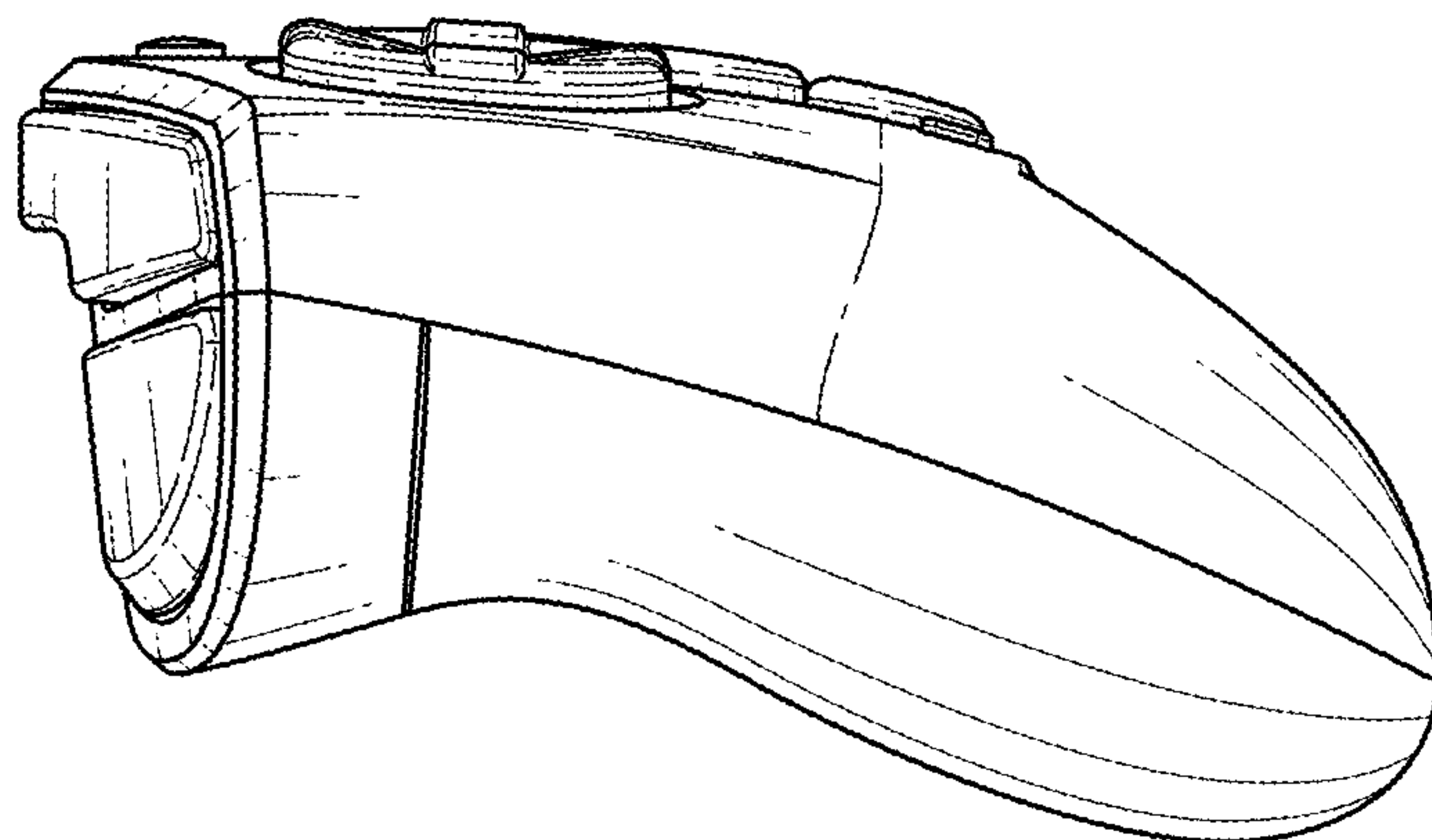


FIG. 4

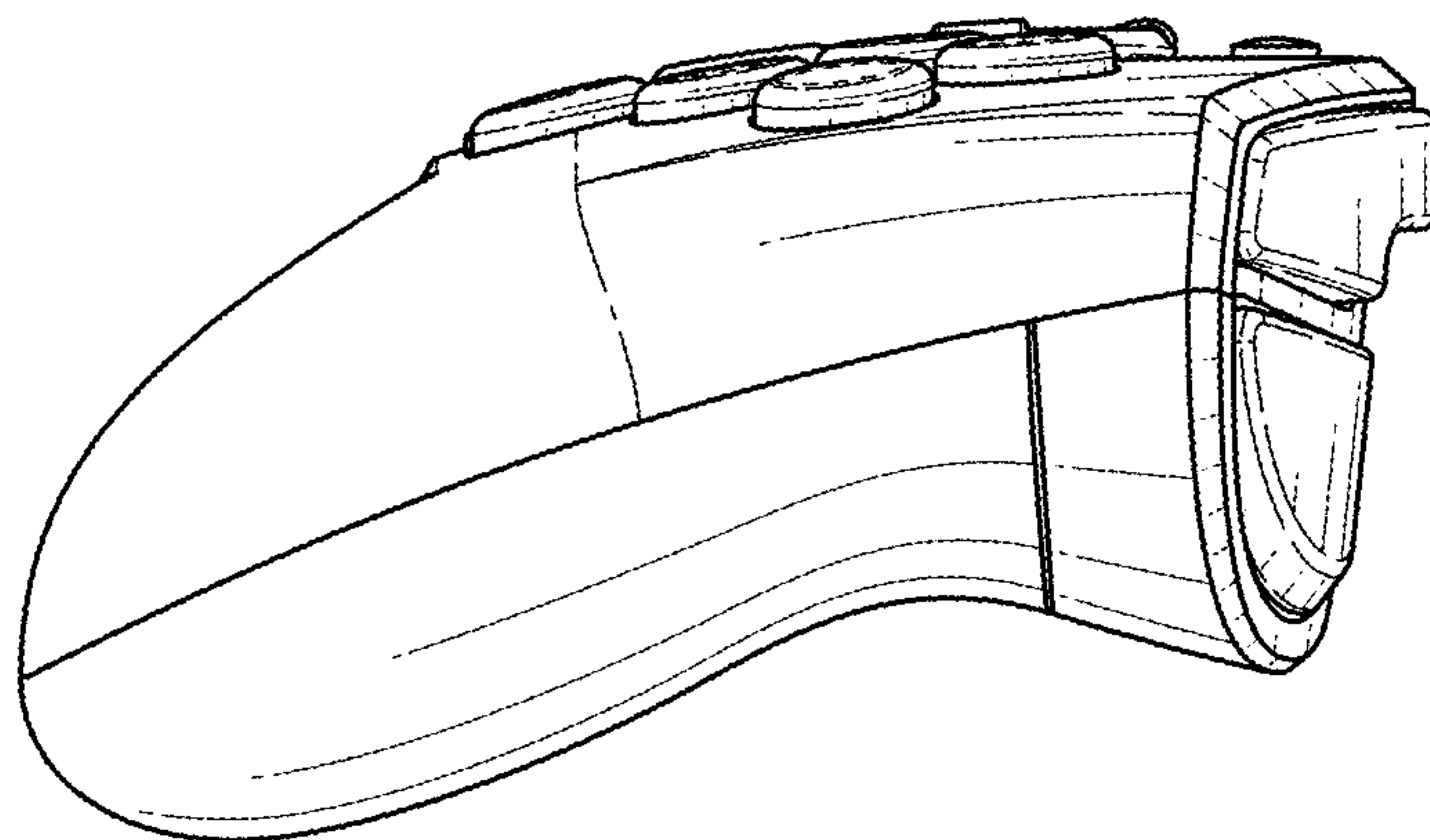


FIG. 5

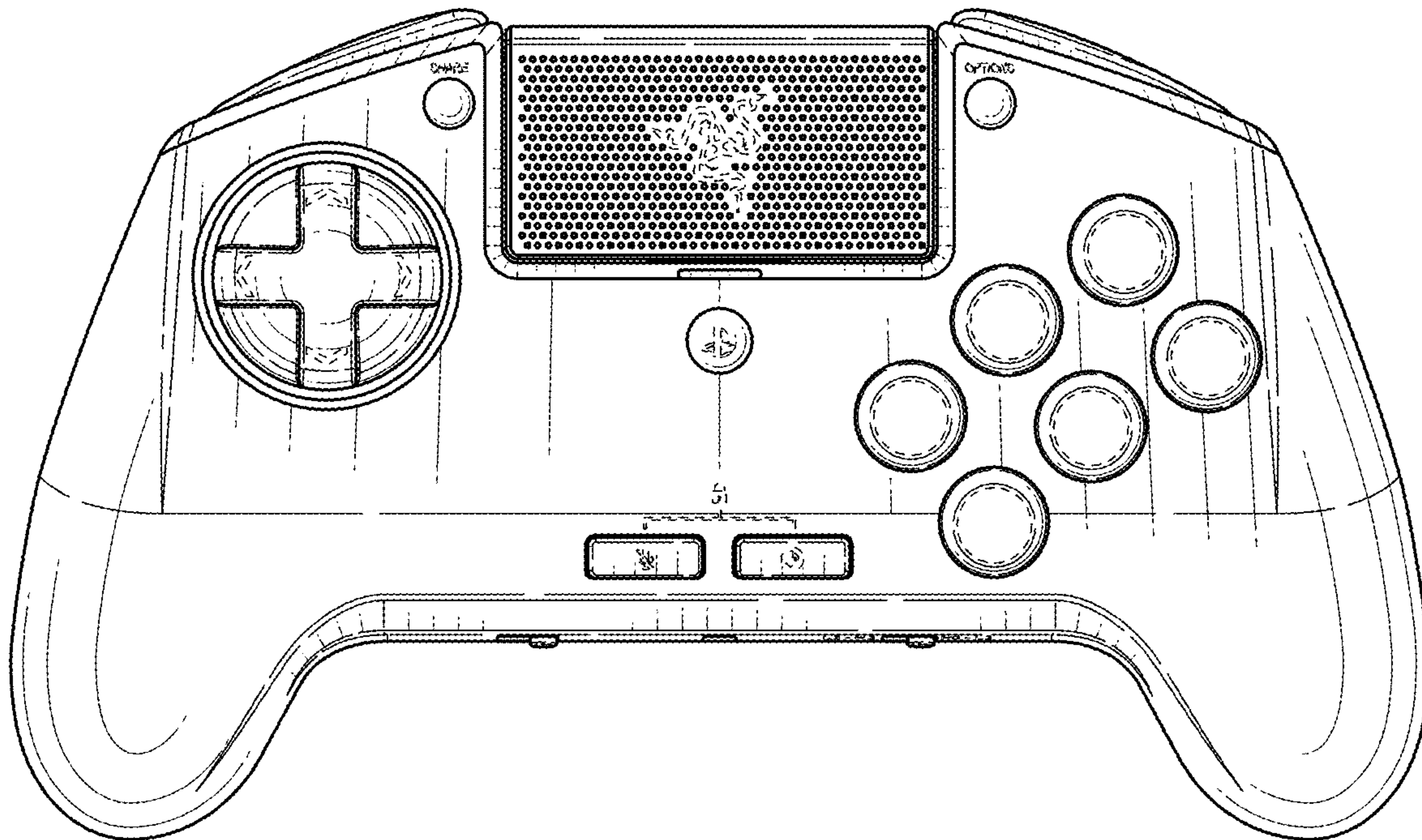


FIG. 6

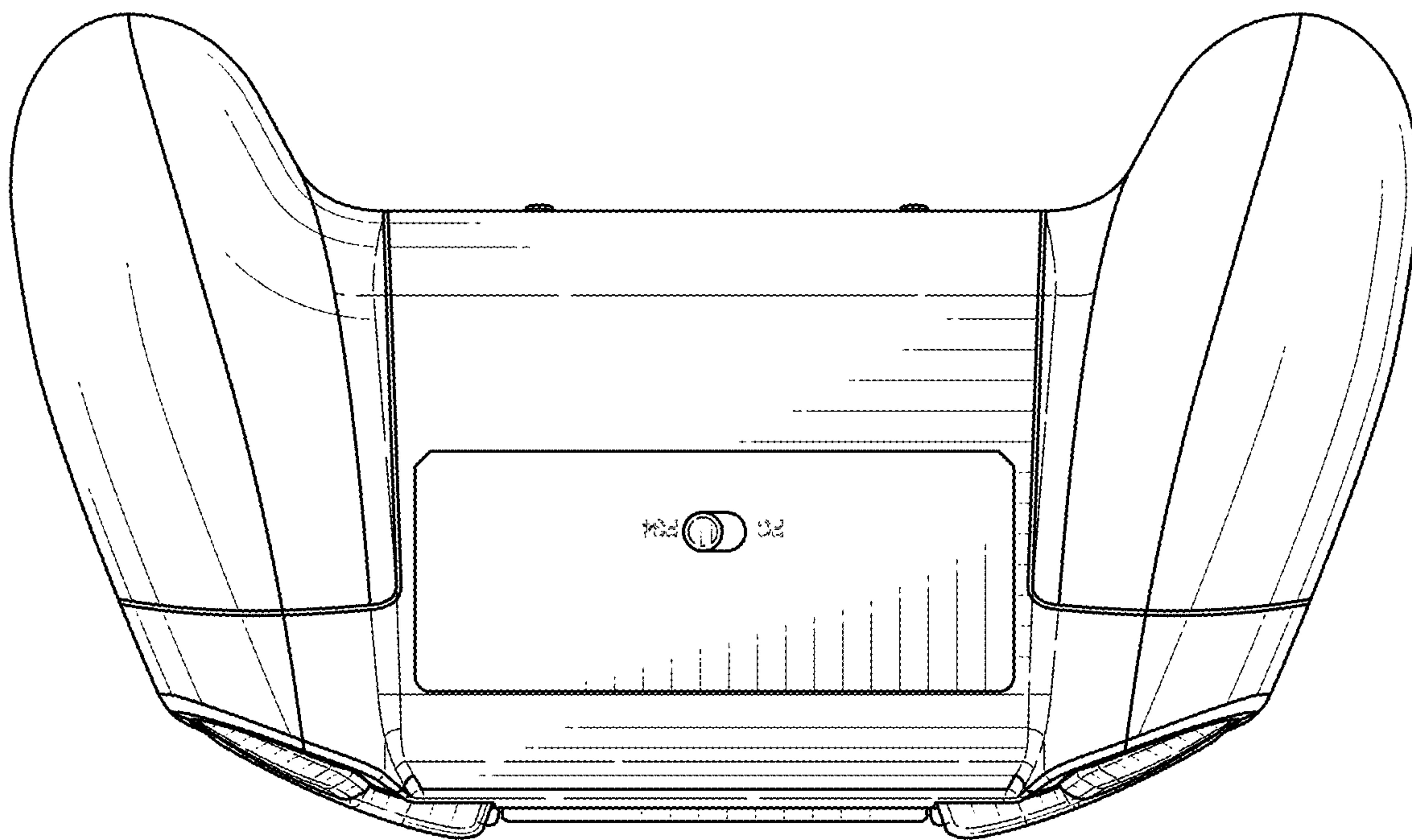


FIG. 7



FIG. 8

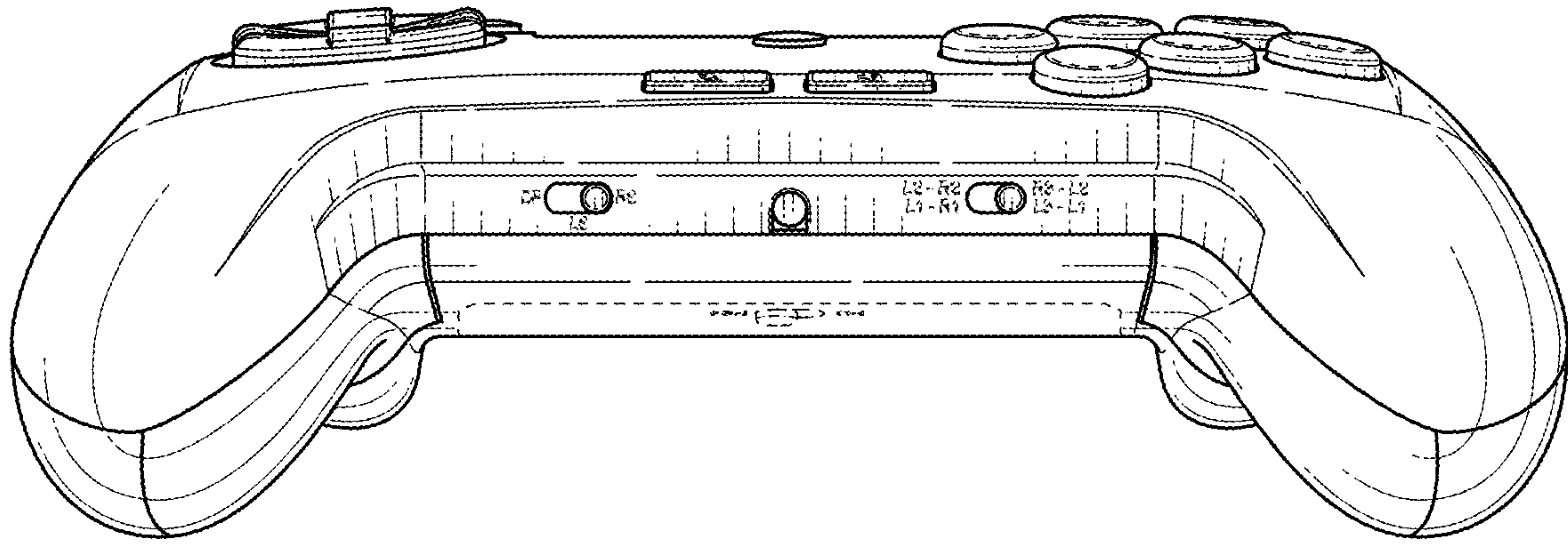


FIG. 9

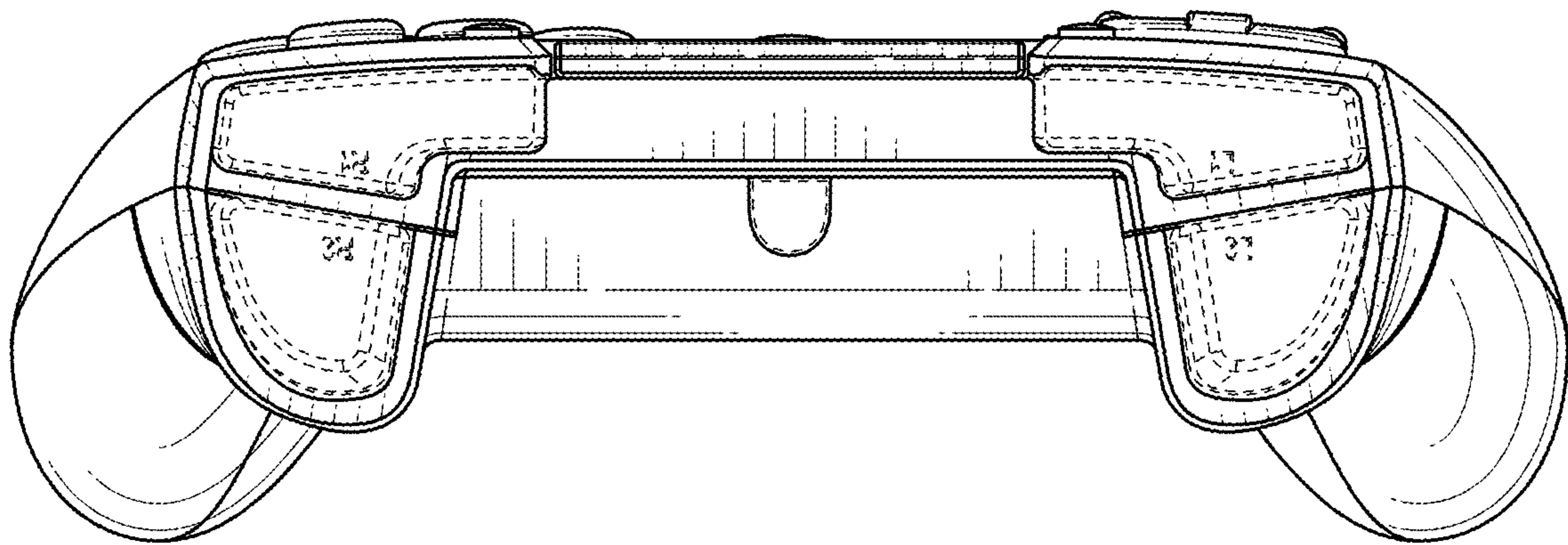


FIG. 10

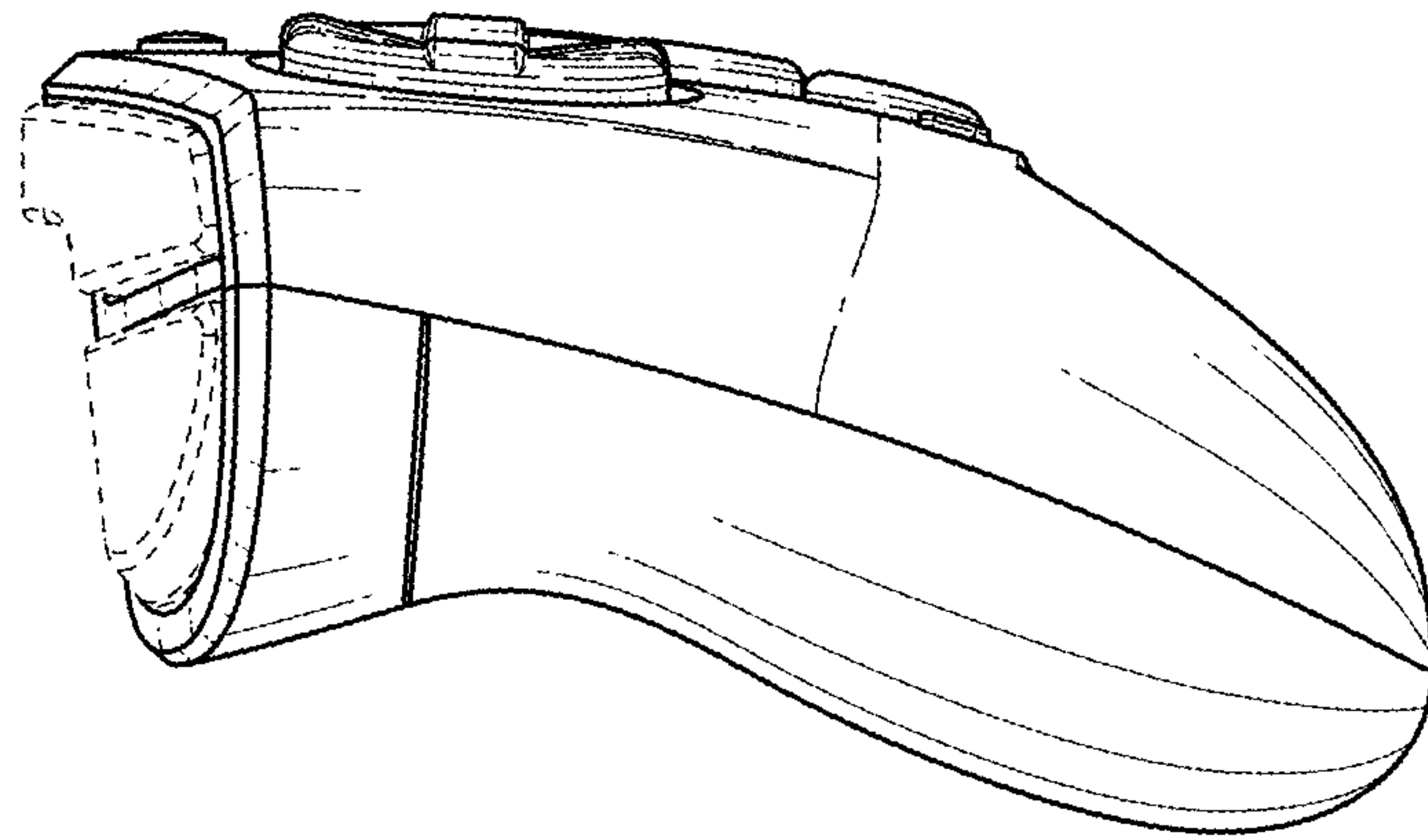


FIG. 11

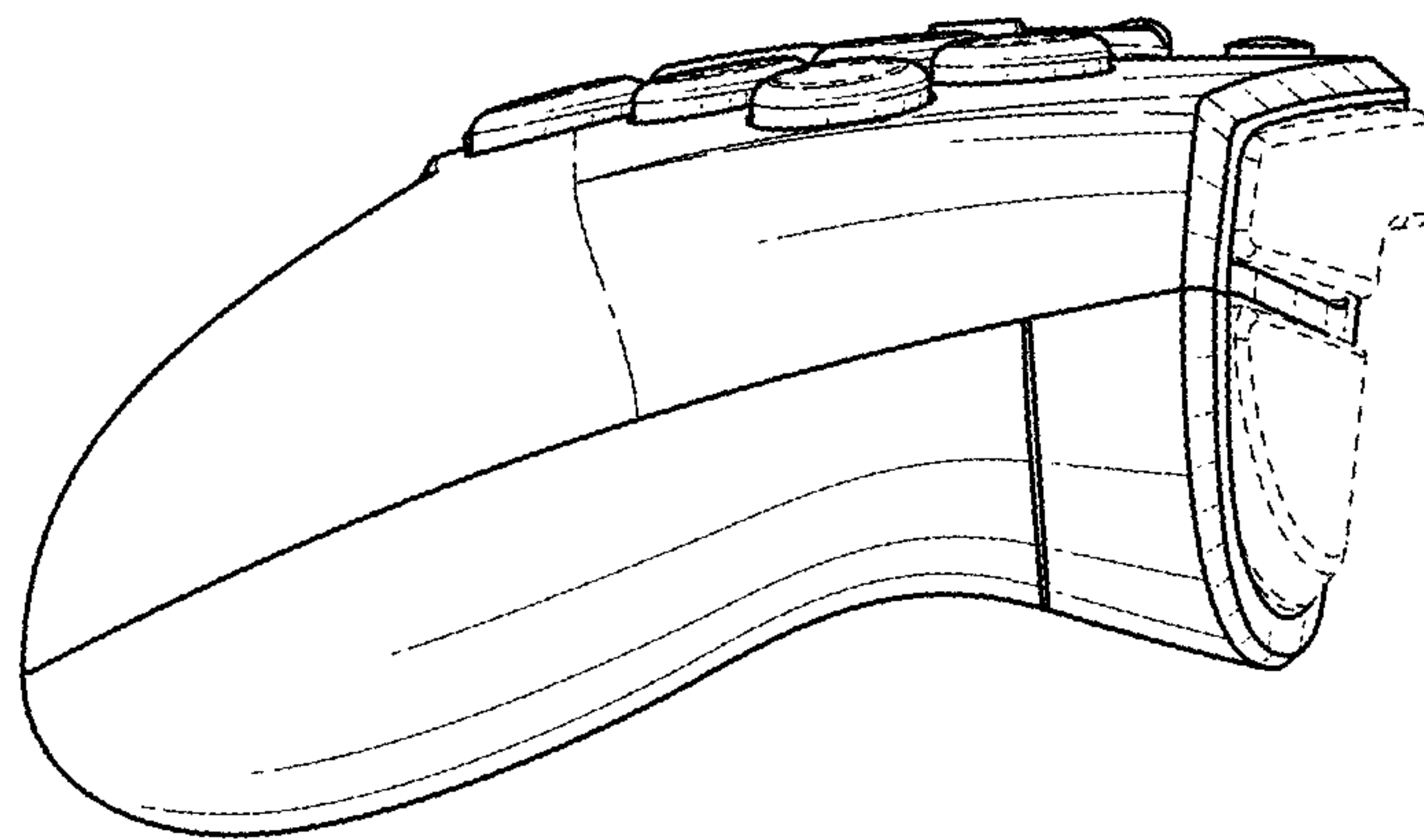


FIG. 12

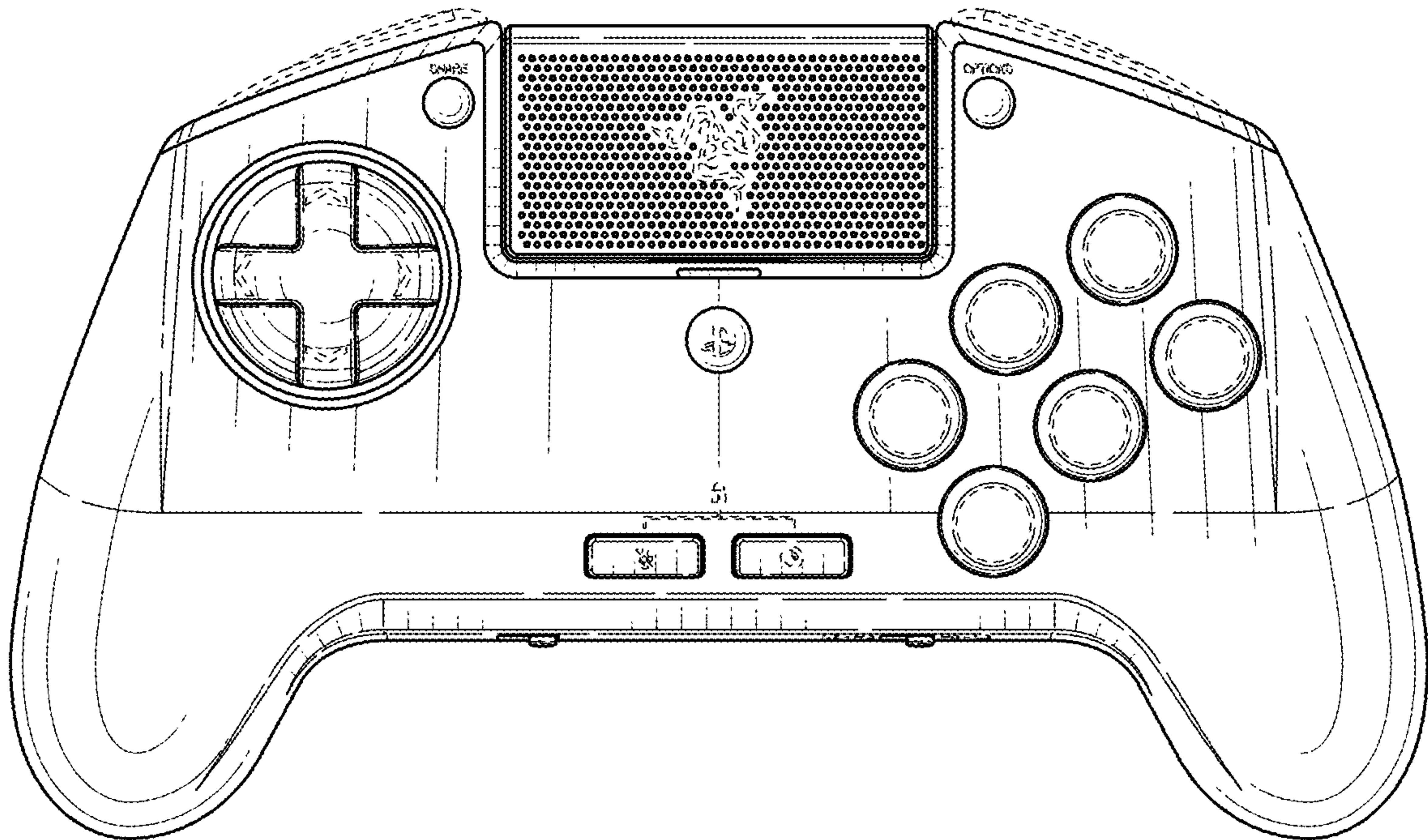


FIG. 13

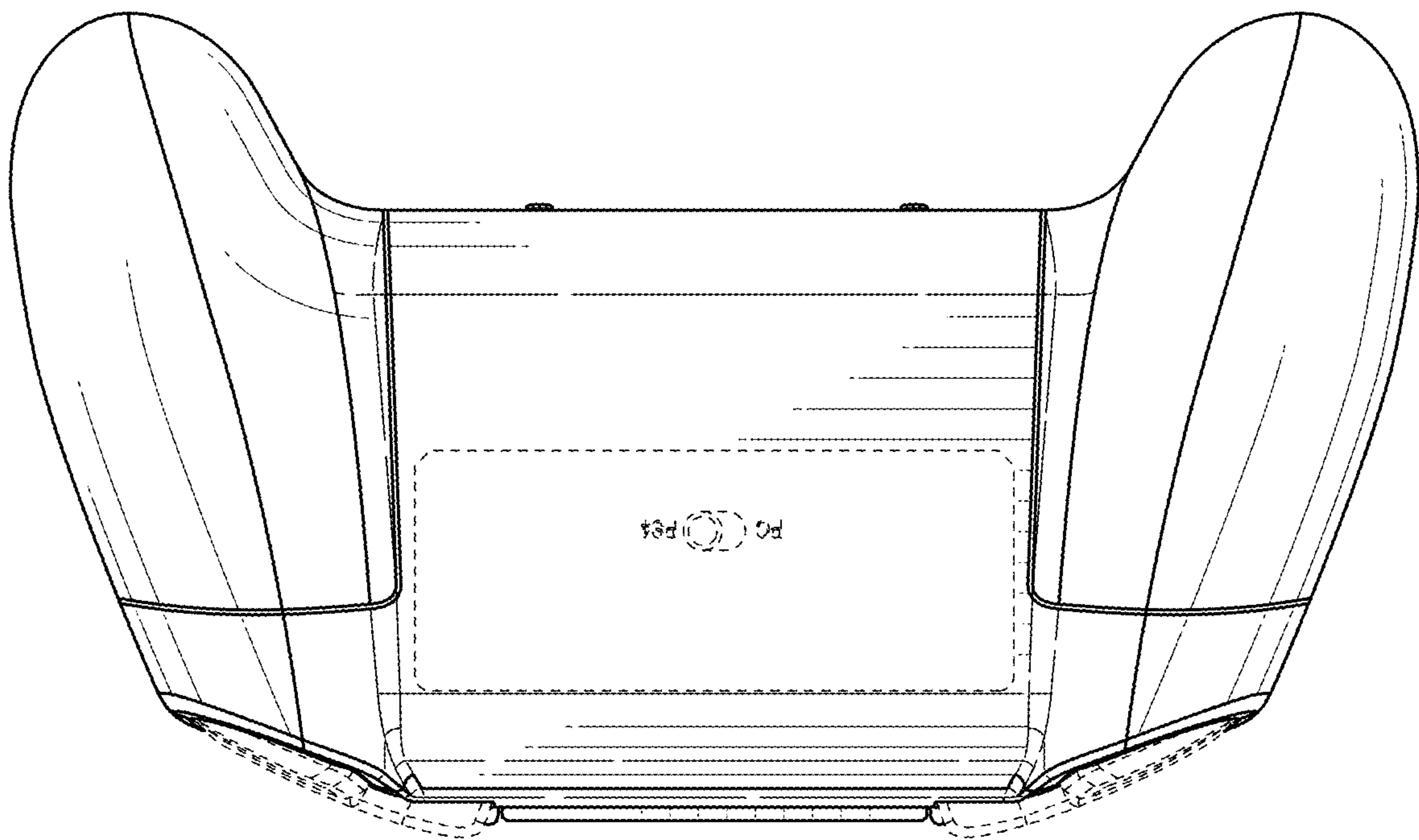


FIG. 14

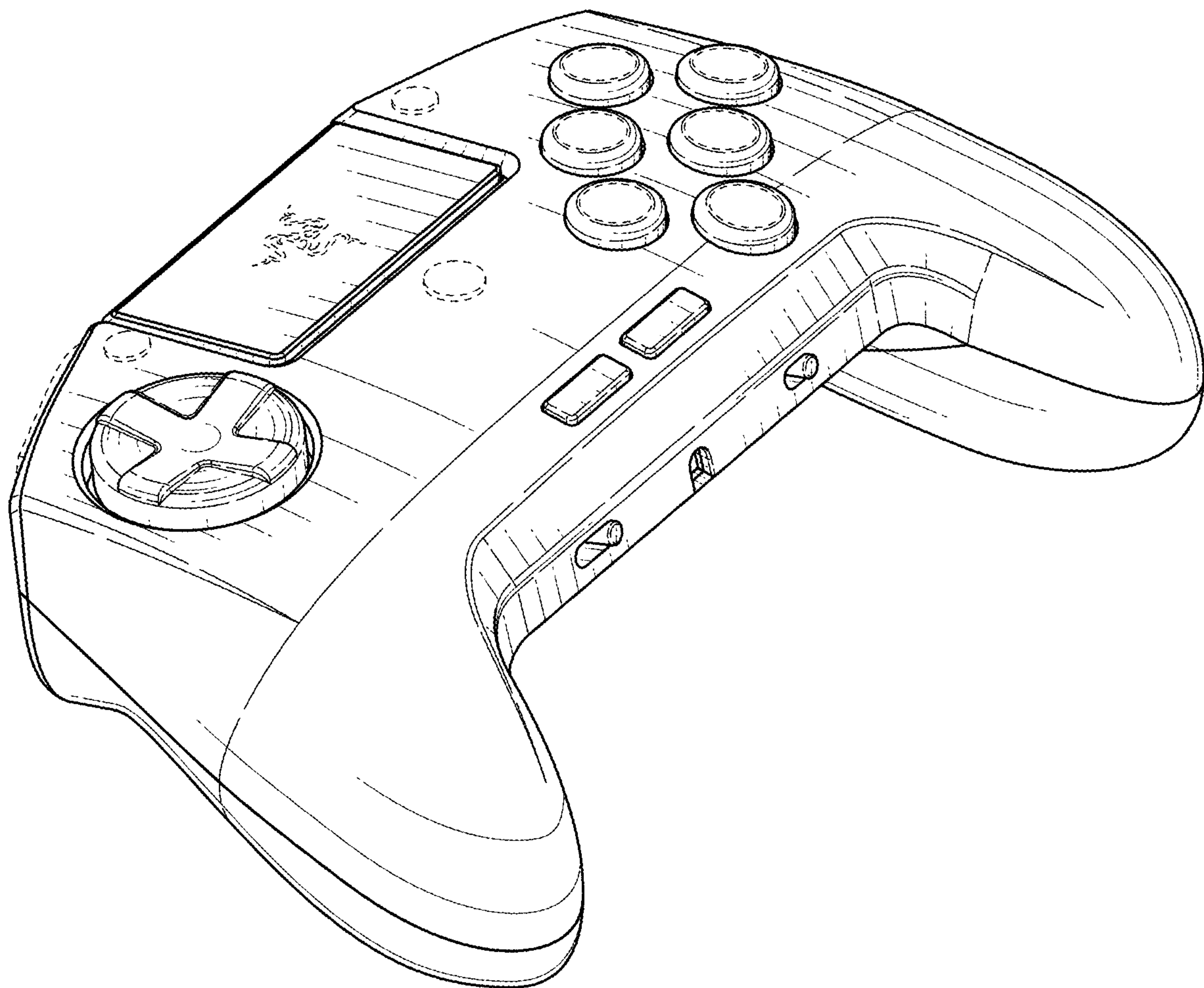


FIG. 15

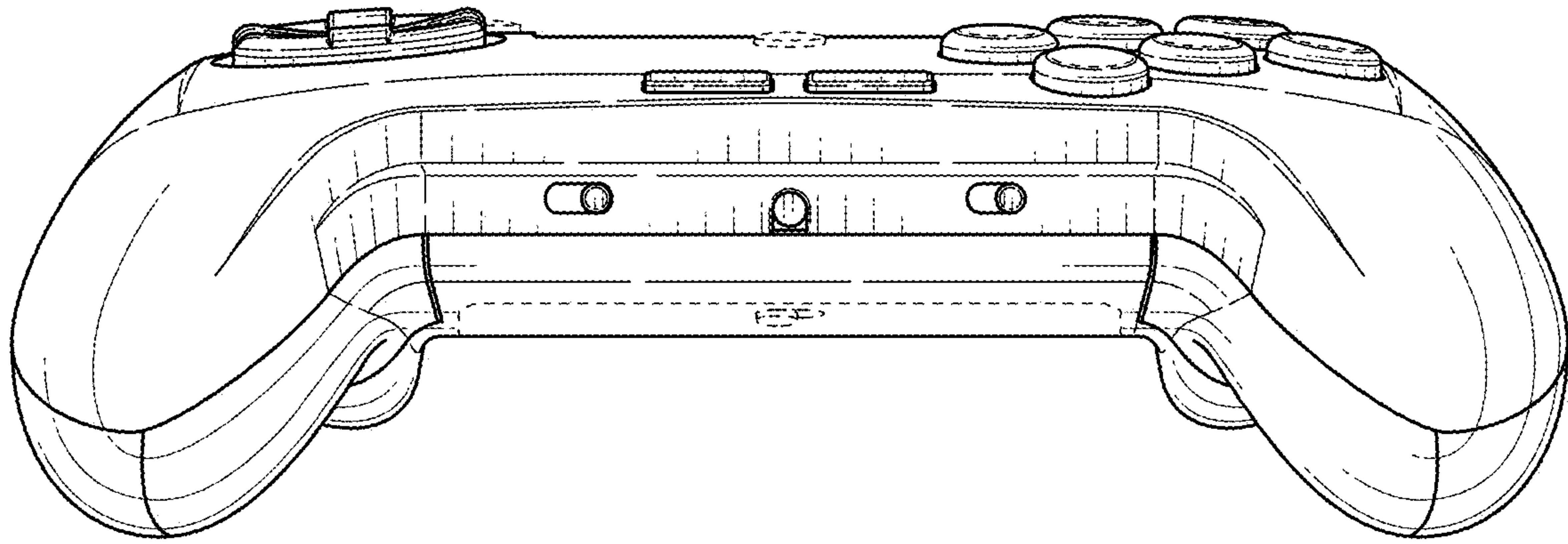


FIG. 16

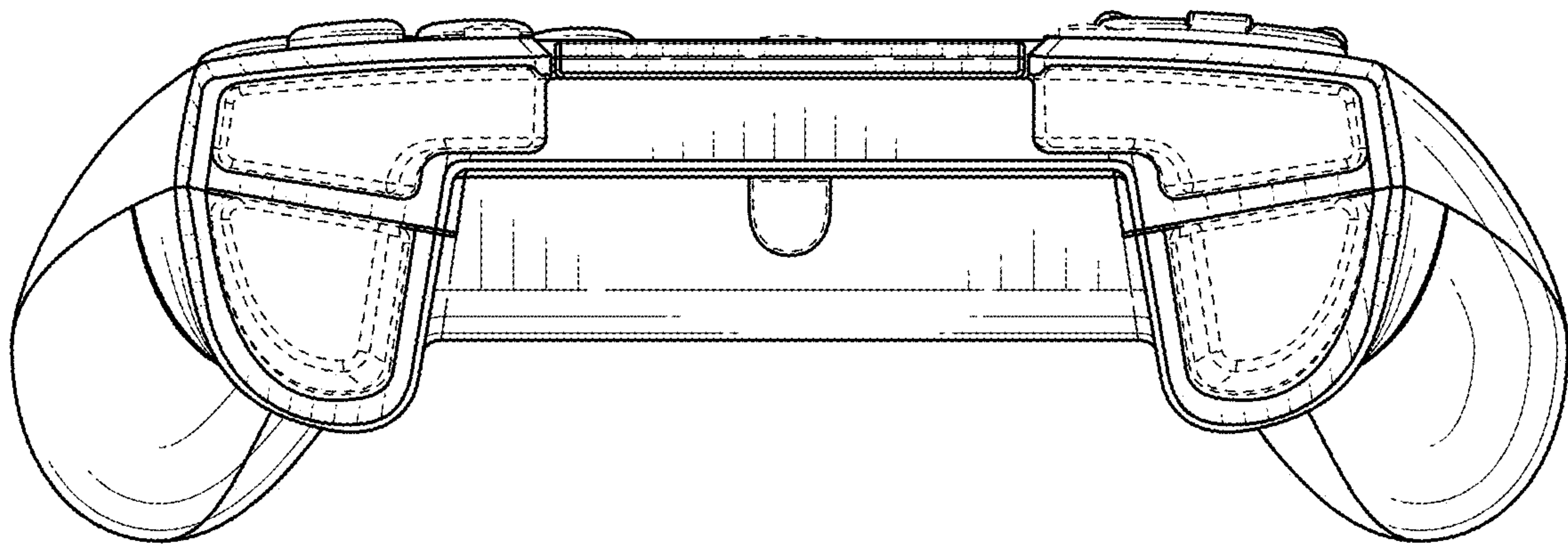


FIG. 17

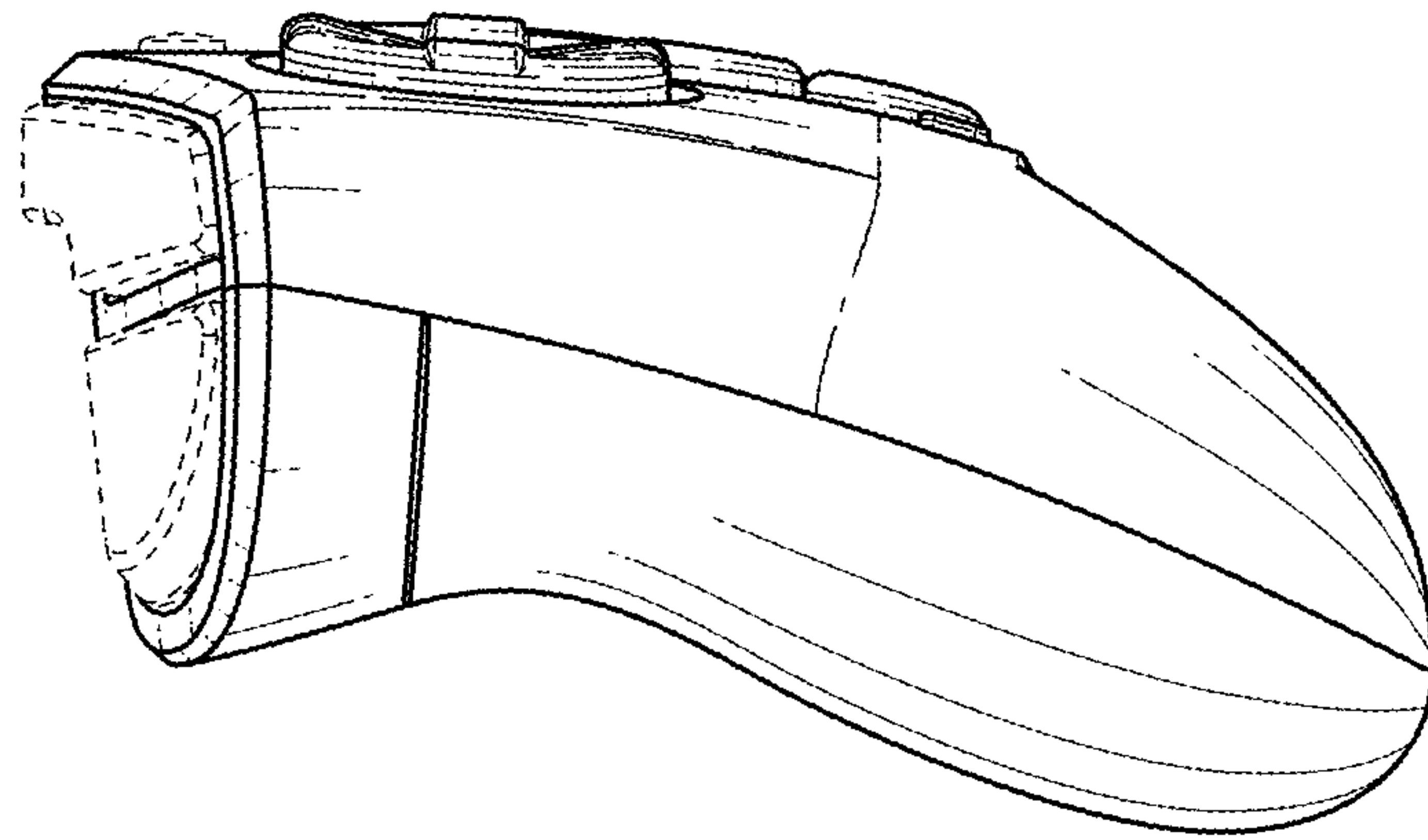


FIG. 18

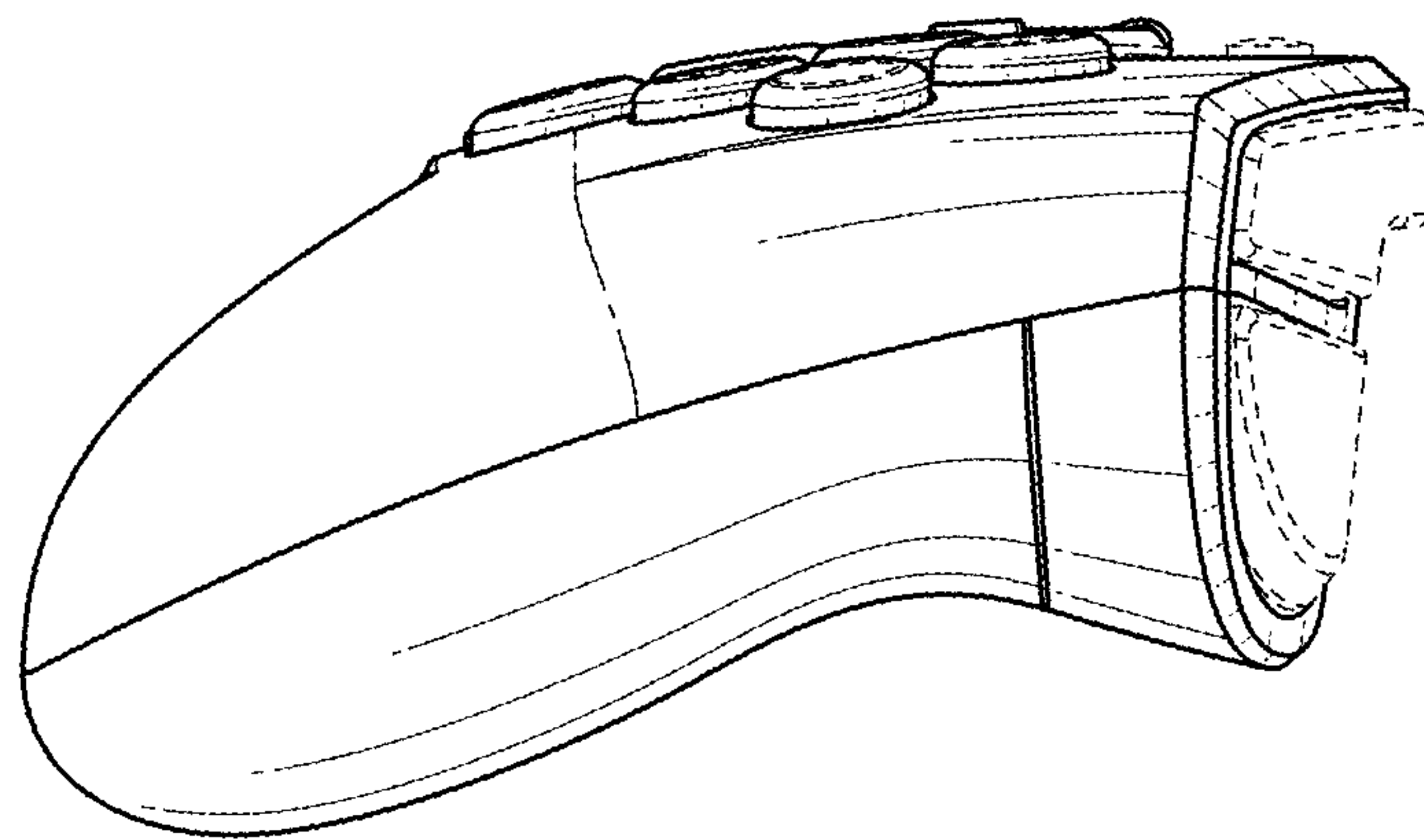


FIG. 19

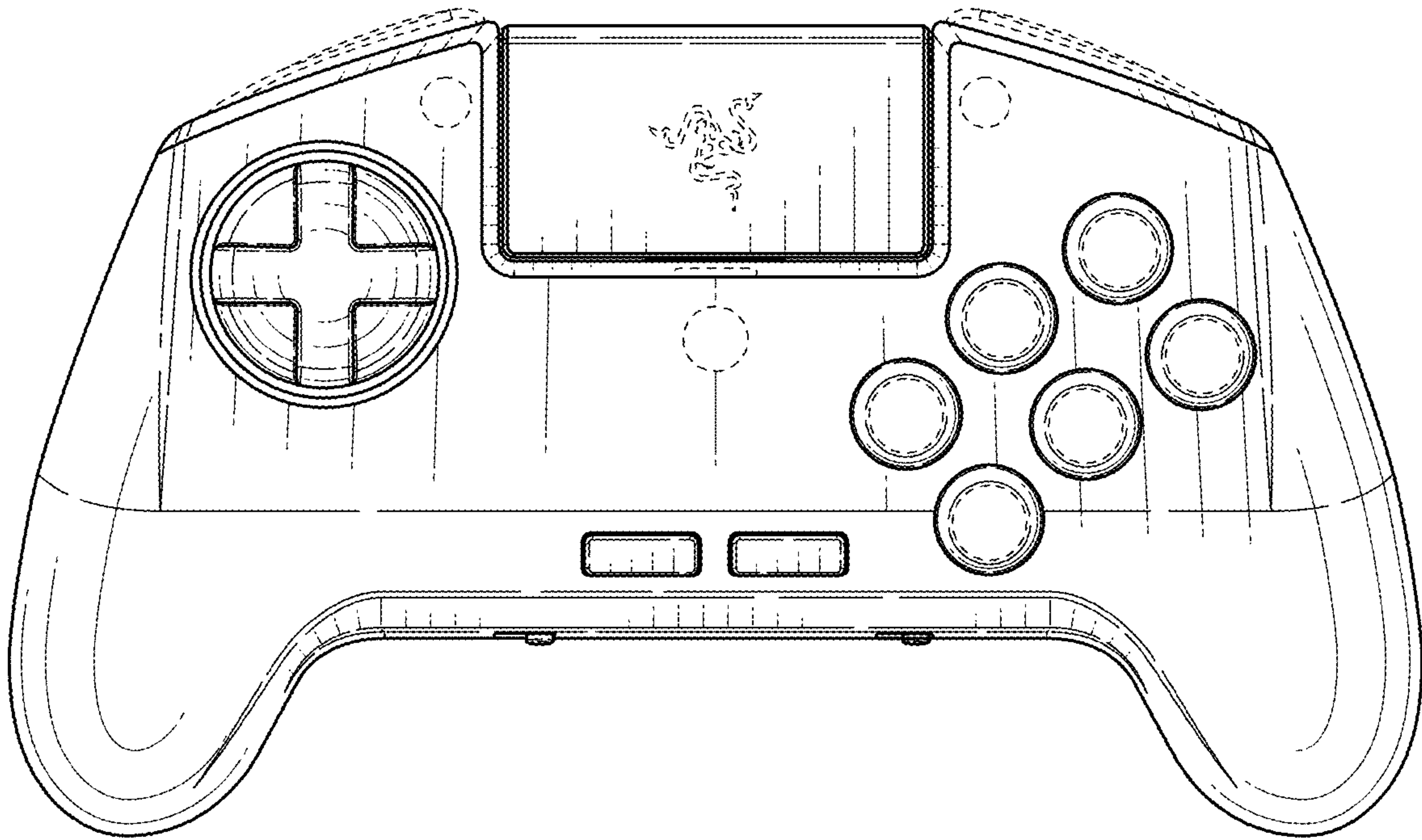


FIG. 20

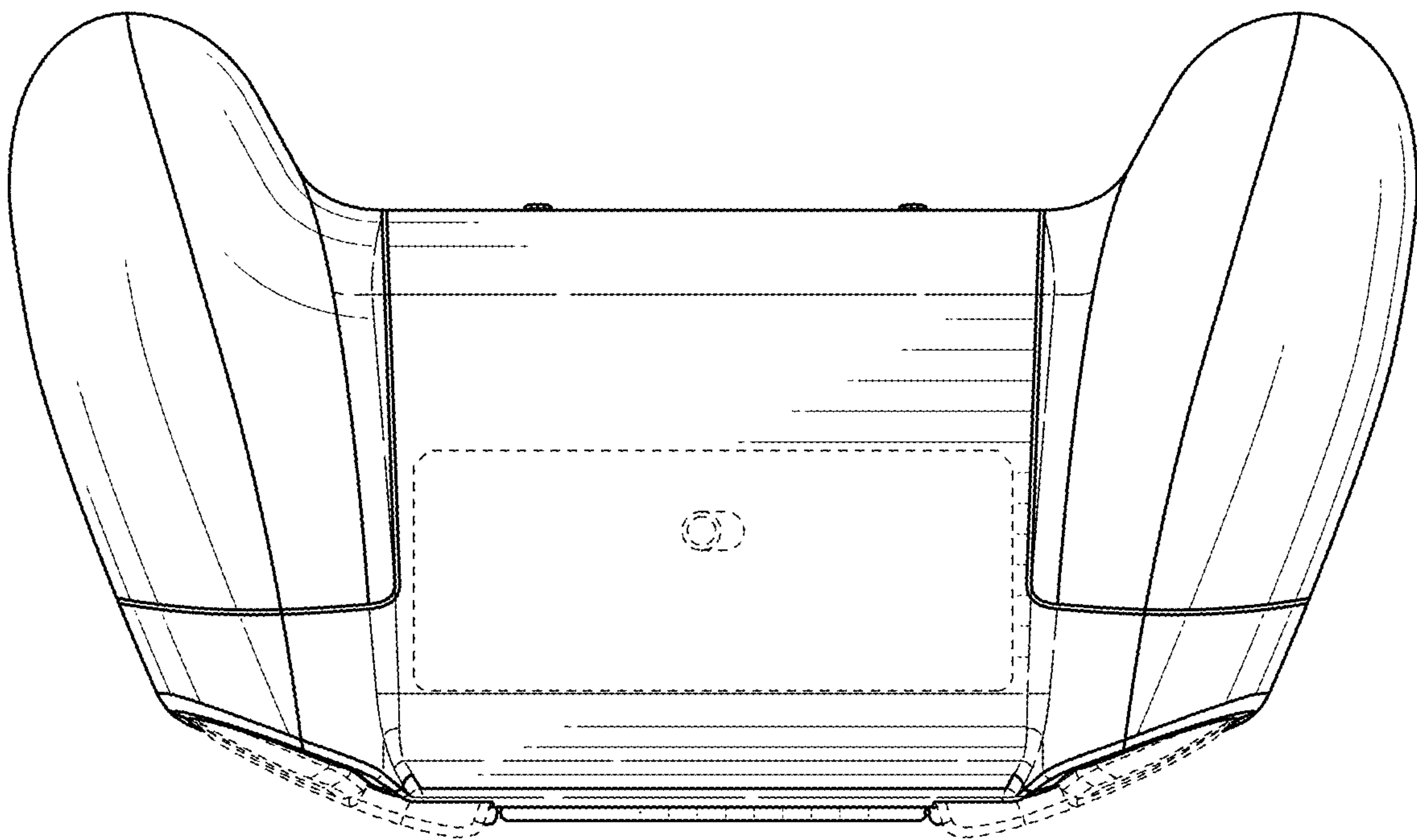


FIG. 21