



US00D898123S

(12) **United States Design Patent** (10) **Patent No.:** **US D898,123 S**  
**Butler et al.** (45) **Date of Patent:** **\*\* Oct. 6, 2020**

(54) **ELECTRONIC COMPANION CONSOLE**

D324,243 S \* 2/1992 Meggison ..... D10/46.1  
D412,187 S \* 7/1999 Kitamori ..... D14/435  
D416,888 S \* 11/1999 Kitamori ..... D14/435  
D428,939 S \* 8/2000 Ota ..... D21/332

(71) Applicant: **Square Panda Inc.**, Sunnyvale, CA (US)

(Continued)

(72) Inventors: **Andrew Butler**, Sunnyvale, CA (US);  
**Michael Nuttall**, Portola Valley, CA (US); **Carey Lee**, Redwood City, CA (US); **Shalan Ertis**, Campbell, CA (US); **Timothy James Elliott**, New York, NY (US); **Hector Javier Farias**, Castro Valley, CA (US)

**OTHER PUBLICATIONS**

“Square Panda Phonics”, posted Apr. 15, 2017 [online], [retrieved Jan. 20, 2020]. Retrieved from internet, <https://www.youtube.com/watch?v=cdNy0G8TIjk>.\*

(Continued)

(73) Assignee: **Square Panda Inc.**, Sunnyvale, CA (US)

*Primary Examiner* — Sandra S Snapp  
*Assistant Examiner* — Mehri Bajoul

(\*\*) Term: **15 Years**

(74) *Attorney, Agent, or Firm* — Schwegman Lundberg & Woessner, P.A.

(21) Appl. No.: **29/661,928**

(57) **CLAIM**

(22) Filed: **Aug. 31, 2018**

The ornamental design for an electronic companion console, as shown and described.

(51) **LOC (12) Cl.** ..... **21-01**

(52) **U.S. Cl.**  
USPC ..... **D21/324**

**DESCRIPTION**

(58) **Field of Classification Search**  
USPC ..... D21/300, 324, 328, 332, 333; D14/315, D14/318, 320, 322, 330, 335, 338, 346, D14/356, 374, 381, 382, 387, 388, 399, D14/400, 422, 439, 451, 455, 456, 474, D14/129, 133, 137, 138 R, 140.1, 163, D14/178, 199, 208, 217, 261; D17/20; D19/115, 128, 188, 100; 273/148 R, 273/148 B; 463/1, 46, 47, 43; 84/718, 84/722  
CPC ..... G06F 1/1626; G06F 1/1656; G09B 19/00; G09B 19/08; H04B 1/0458  
See application file for complete search history.

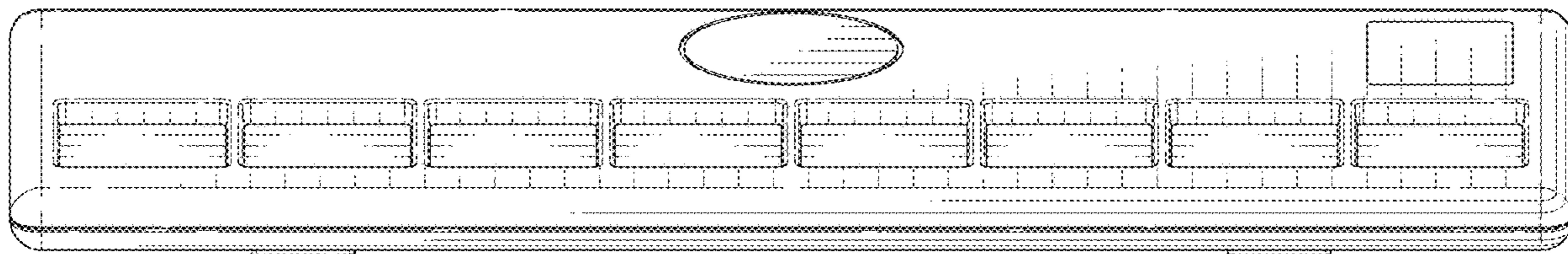
FIG. 1 is a front view of an electronic companion console, showing our new design, in a first configuration without a cover.  
FIG. 2 is a rear view thereof.  
FIG. 3 is a right view thereof.  
FIG. 4 is a left view thereof.  
FIG. 5 is a top view thereof.  
FIG. 6 is a bottom view thereof.  
FIG. 7 is a top-front-right perspective view thereof.  
FIG. 8 is a top-rear-right perspective view thereof.  
FIG. 9 is a bottom-rear-left perspective view thereof; and, FIG. 10 is bottom-front-left perspective view thereof.  
In the drawings, the broken lines depict portions of the electronic companion device that from no part of the claimed design.  
The shade lines show surface contour and not surface ornamentation.

(56) **References Cited**

**U.S. PATENT DOCUMENTS**

D247,002 S \* 1/1978 Katoh ..... D21/332  
D303,127 S \* 8/1989 Biasotti ..... D21/332

**1 Claim, 8 Drawing Sheets**



(56)

References Cited

U.S. PATENT DOCUMENTS

D460,495 S \* 7/2002 Naghi ..... D21/333  
 D479,860 S \* 9/2003 Lim ..... D14/217  
 D500,528 S \* 1/2005 Morris ..... D21/324  
 D516,634 S \* 3/2006 Man-tat ..... D21/332  
 D536,382 S \* 2/2007 Sugino ..... D21/332  
 D539,355 S \* 3/2007 Fujita ..... D14/435  
 D546,396 S \* 7/2007 Matsuno ..... D21/324  
 D559,327 S \* 1/2008 Luk ..... D21/330  
 D568,884 S \* 5/2008 Kawanobe ..... D14/401  
 D580,429 S \* 11/2008 Cheng ..... D14/315  
 D581,921 S \* 12/2008 Kim ..... D14/315  
 D584,304 S \* 1/2009 Lin ..... D14/138 AB  
 D586,798 S \* 2/2009 Tanaka ..... D14/315  
 D586,799 S \* 2/2009 Gluskoter ..... D14/315  
 D587,715 S \* 3/2009 Davis ..... D14/432  
 D597,143 S \* 7/2009 Izumi ..... D14/388  
 D602,095 S \* 10/2009 Fujino ..... D14/436  
 D610,625 S \* 2/2010 Guinchard ..... D21/333  
 D611,103 S \* 3/2010 Fujino ..... D21/332  
 D616,947 S \* 6/2010 Kloster ..... D21/333  
 D632,340 S \* 2/2011 Guinchard ..... D21/324  
 D645,909 S \* 9/2011 Fujita ..... D21/330  
 D650,447 S \* 12/2011 Ehara ..... D21/330  
 D667,891 S \* 9/2012 Hermann, II ..... D21/300  
 D748,734 S \* 2/2016 Burgess ..... D21/333

D752,039 S \* 3/2016 Park ..... D14/203.3  
 D782,567 S \* 3/2017 Faoro ..... D17/20  
 D788,768 S \* 6/2017 Hsieh ..... D14/315  
 D789,941 S \* 6/2017 Sauvage ..... D14/455  
 D789,942 S \* 6/2017 Bailey ..... D14/455  
 D795,214 S \* 8/2017 Tschopp ..... D14/138 G  
 D803,814 S \* 11/2017 Harms ..... D14/217  
 D804,450 S \* 12/2017 Spiel ..... D14/217  
 D807,860 S \* 1/2018 Tschetter ..... D14/217  
 D809,484 S \* 2/2018 Shi ..... D14/217  
 D819,633 S \* 6/2018 Jun ..... D14/363  
 D836,579 S \* 12/2018 Gannon ..... D14/126  
 D848,421 S \* 5/2019 Turksu ..... D14/399  
 D849,719 S \* 5/2019 Branscomb ..... D14/217  
 D849,742 S \* 5/2019 Siminoff ..... D14/399  
 D850,460 S \* 6/2019 Luo ..... D14/455  
 D864,970 S \* 10/2019 Magi ..... D14/436  
 D872,709 S \* 1/2020 Pang ..... D14/217  
 2006/0050061 A1 \* 3/2006 Aiken ..... G06F 1/1656  
 345/173

OTHER PUBLICATIONS

“8 Passengers and Square Panda”, posted Nov. 21, 2018[Online],[Retrieved May 5, 2020], from internet [https://www.youtube.com/watch?v=dlv6vUIA\\_BM](https://www.youtube.com/watch?v=dlv6vUIA_BM) this on.\*

\* cited by examiner

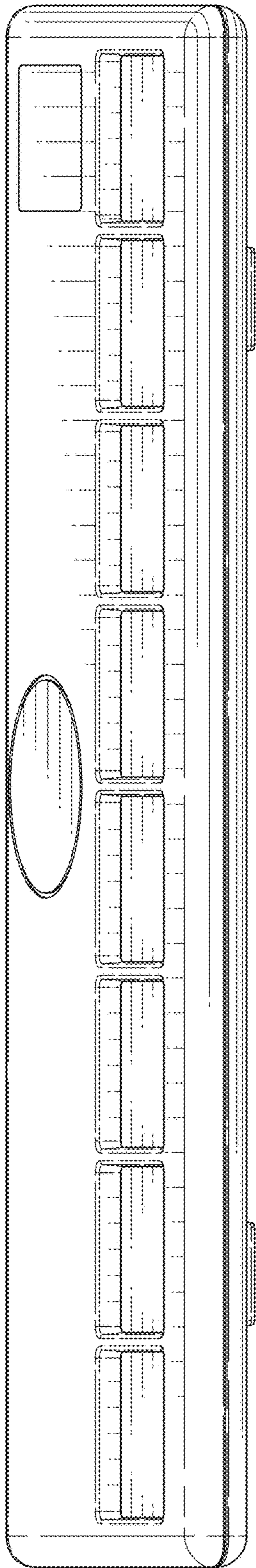


FIG. 1

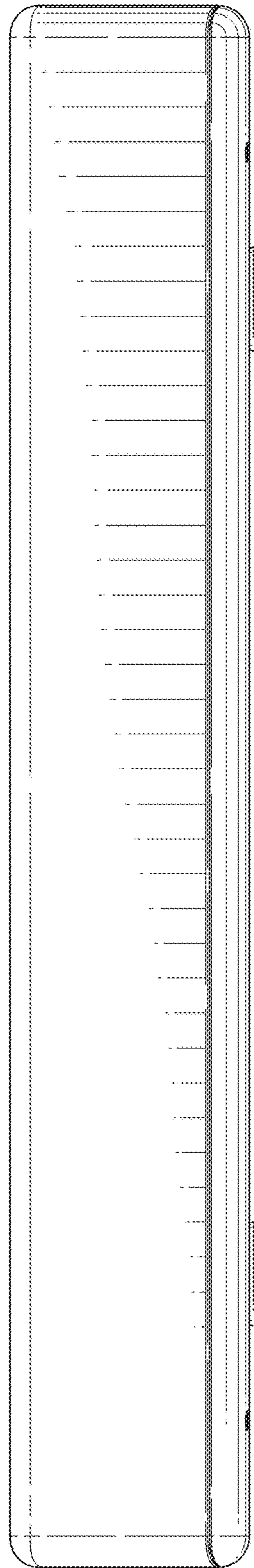


FIG. 2

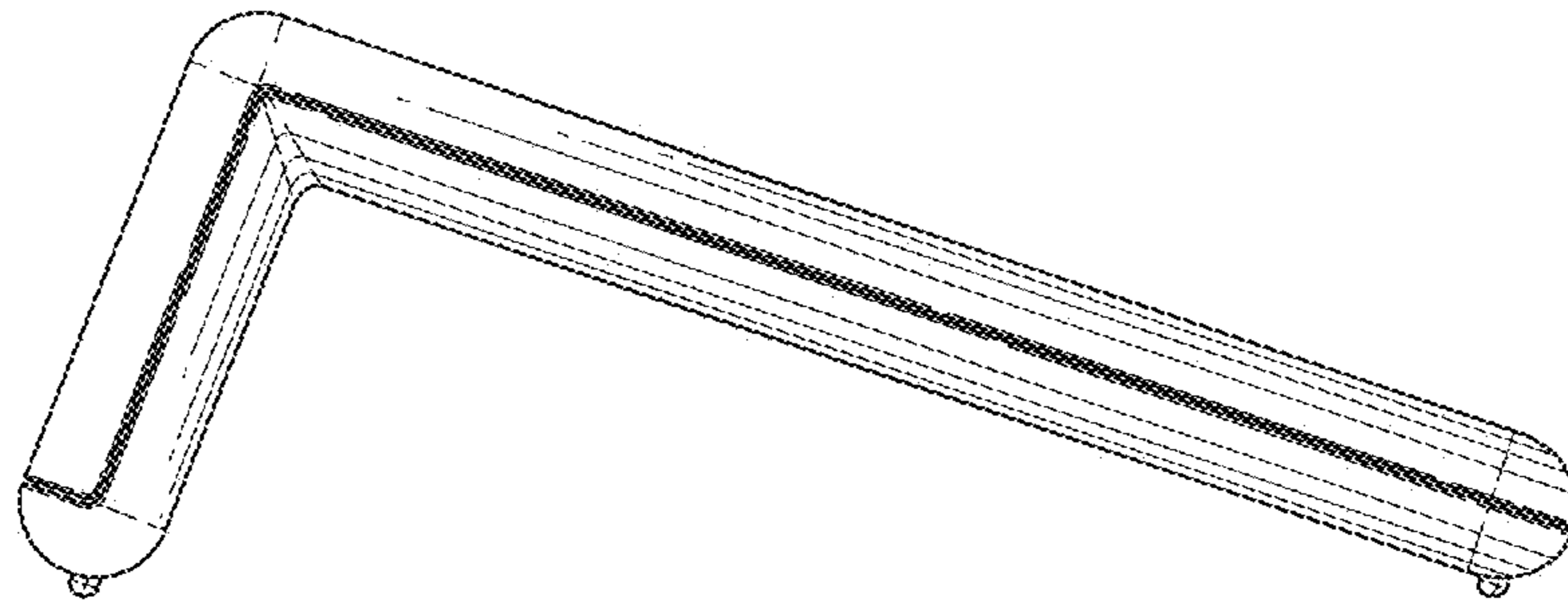


FIG. 3

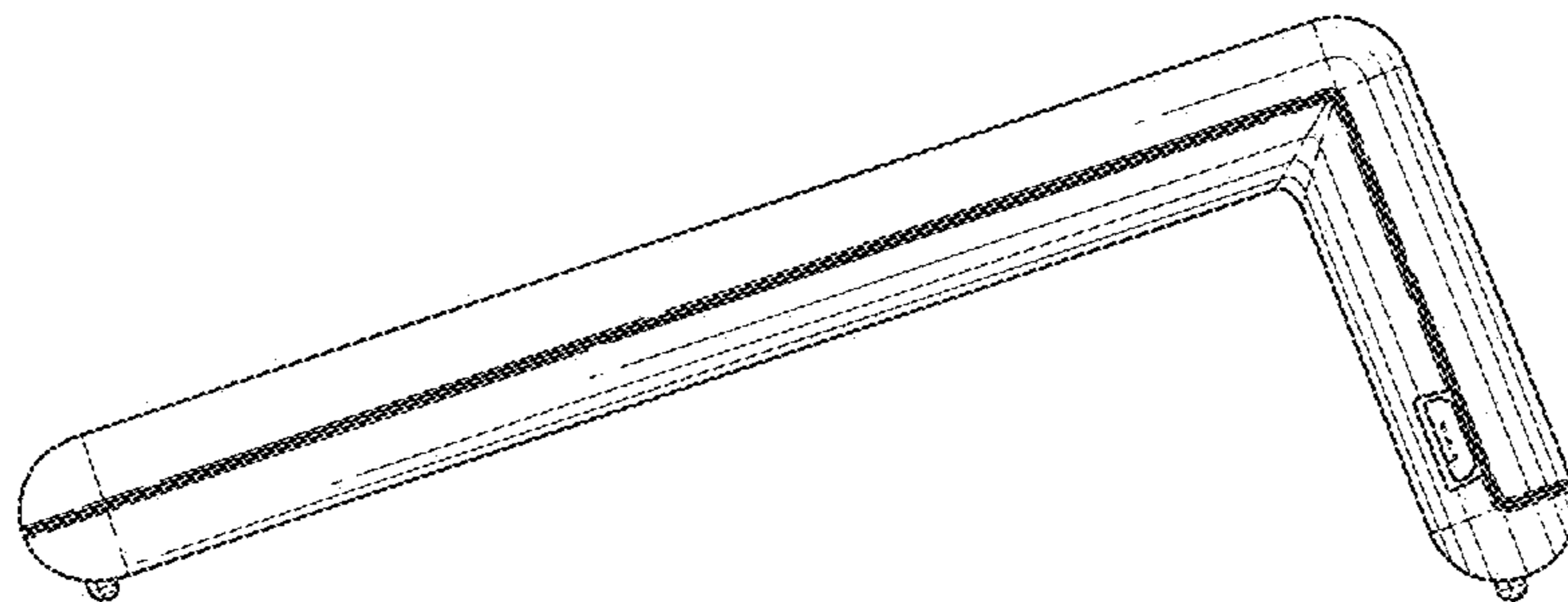


FIG. 4

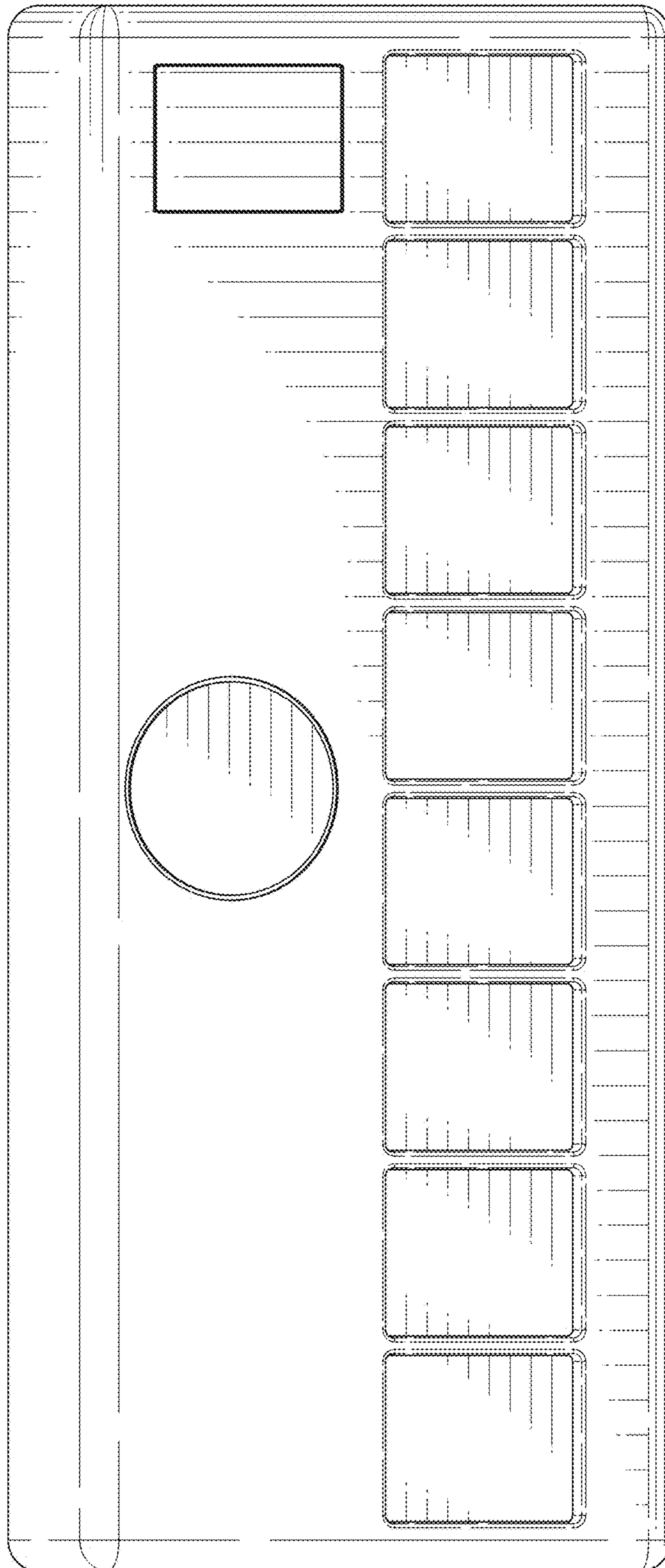


FIG. 5

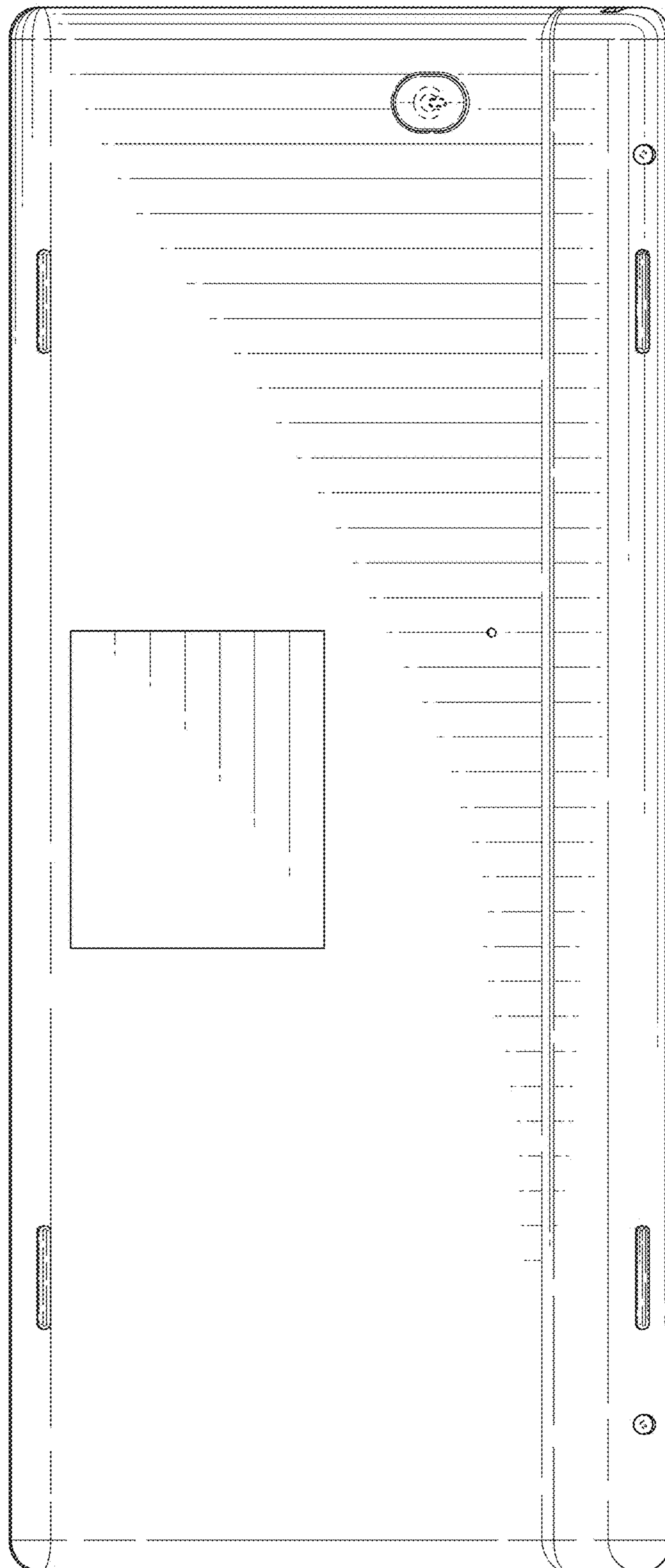


FIG. 6

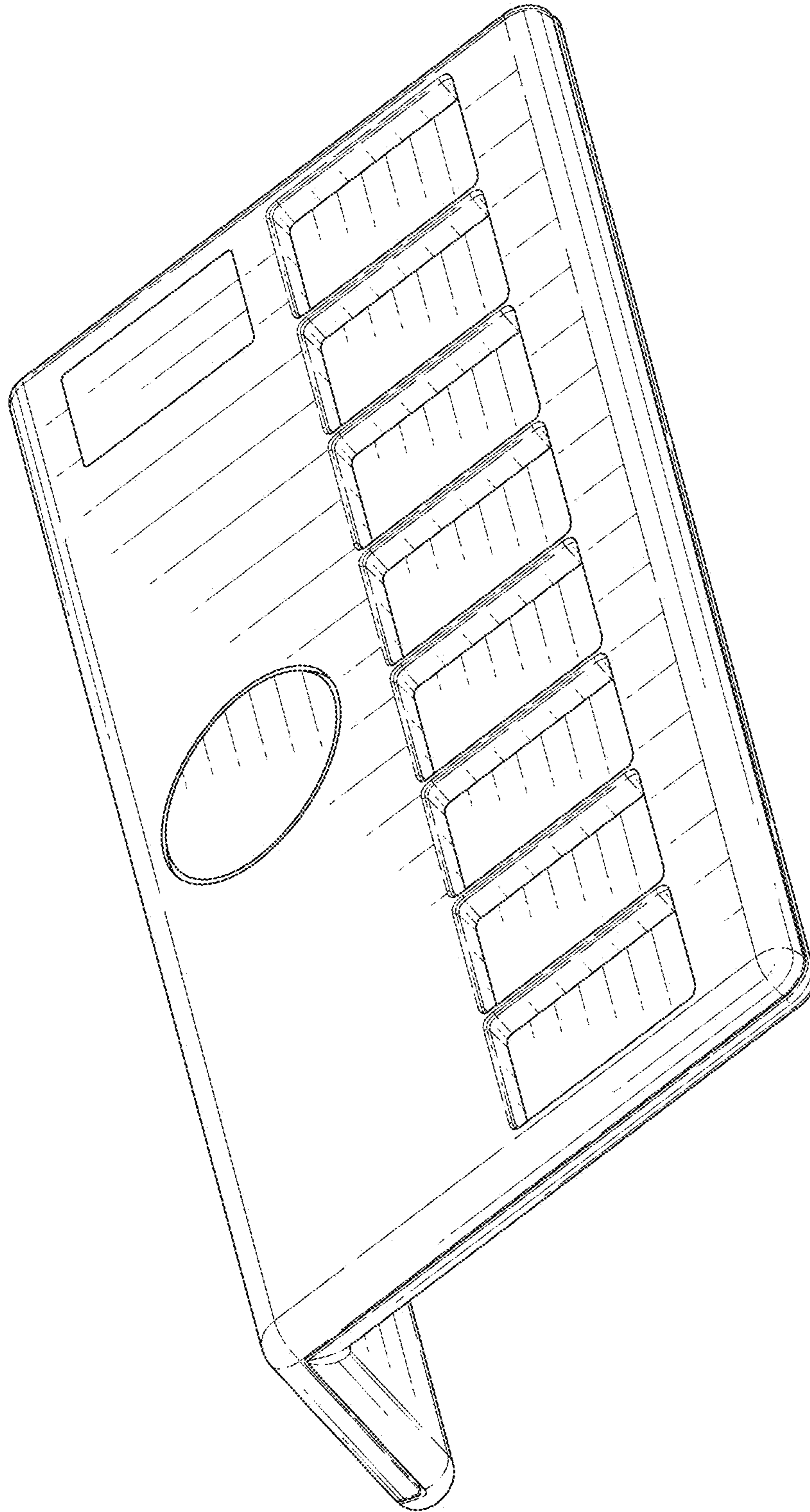


FIG. 7

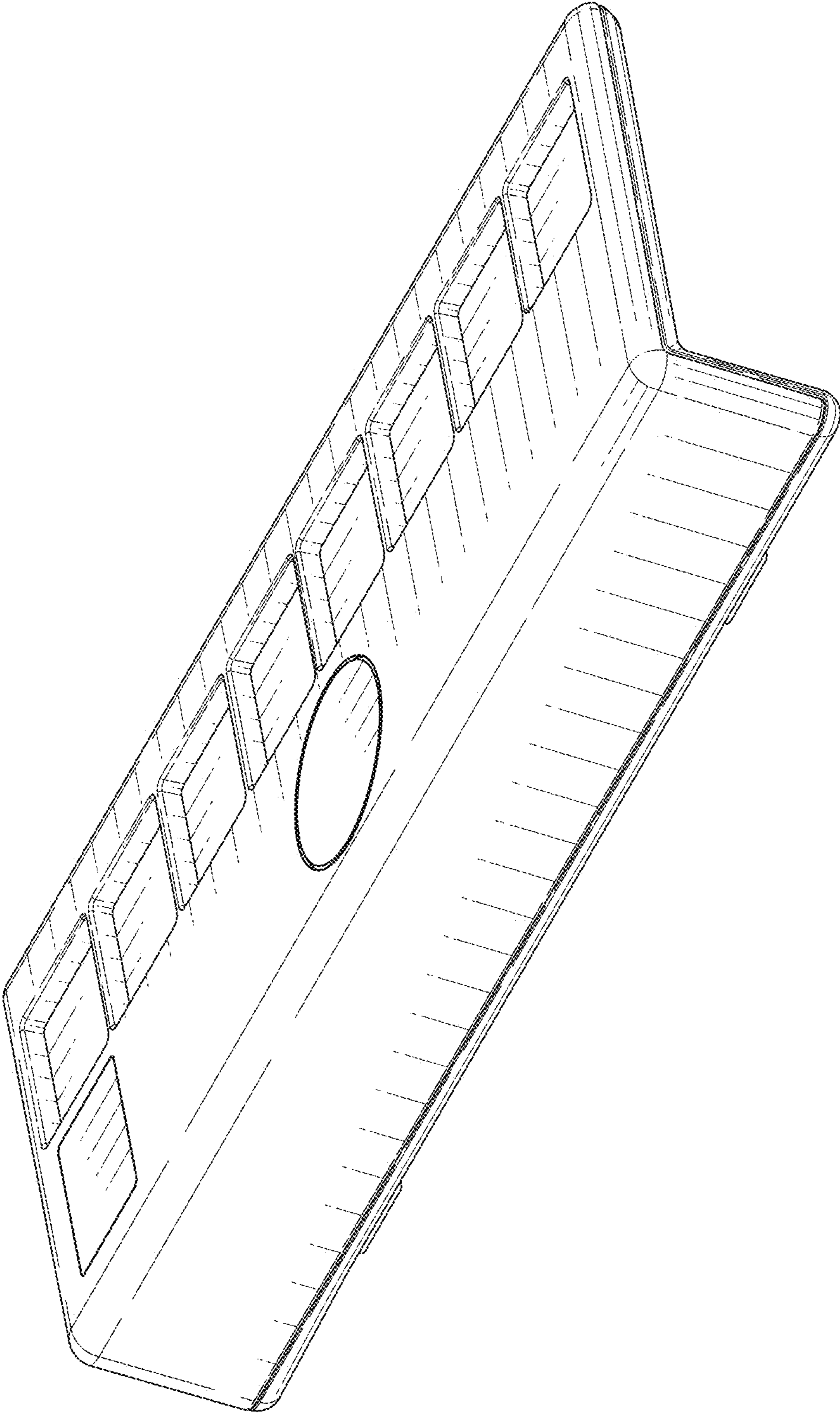


FIG. 8



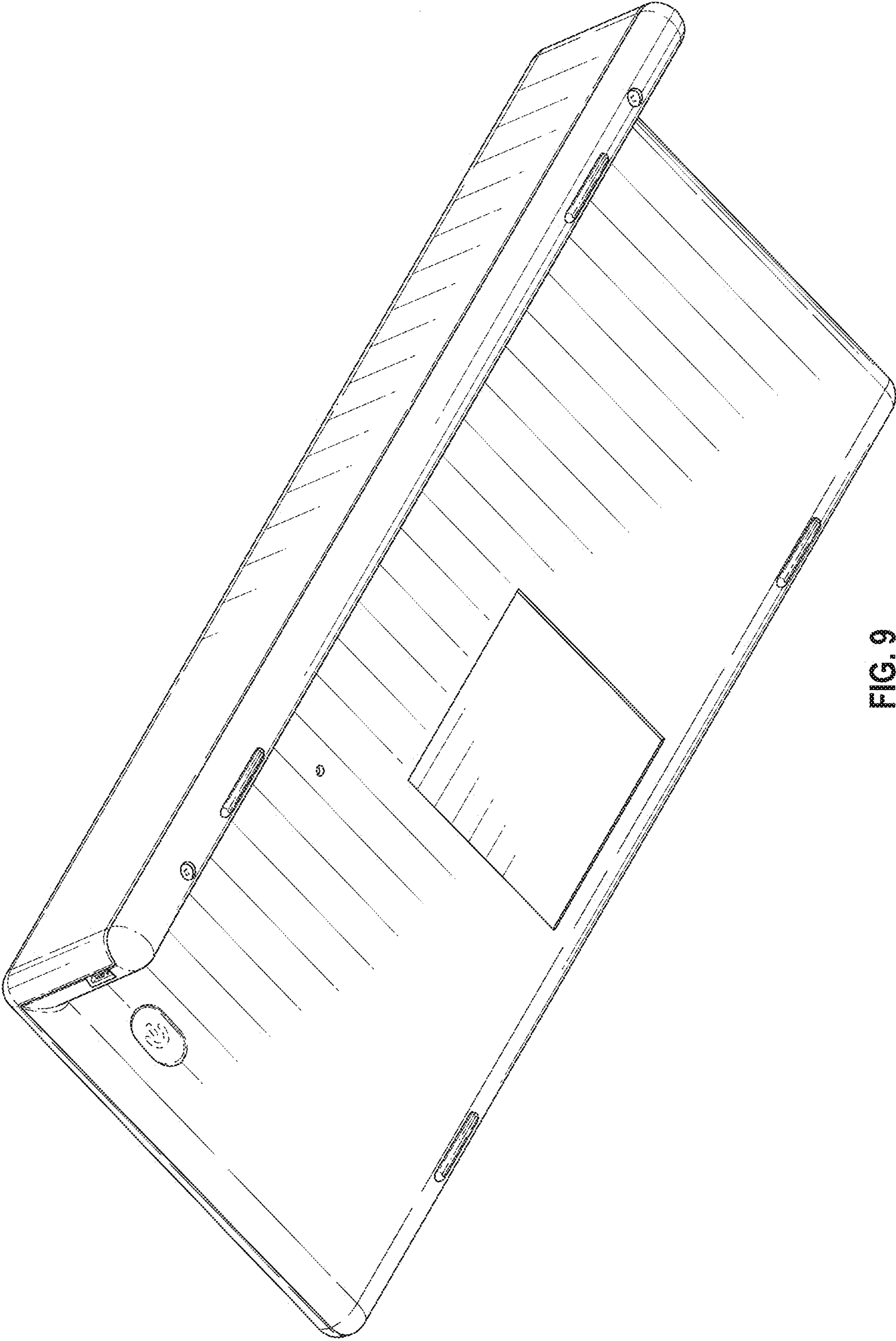


FIG. 9

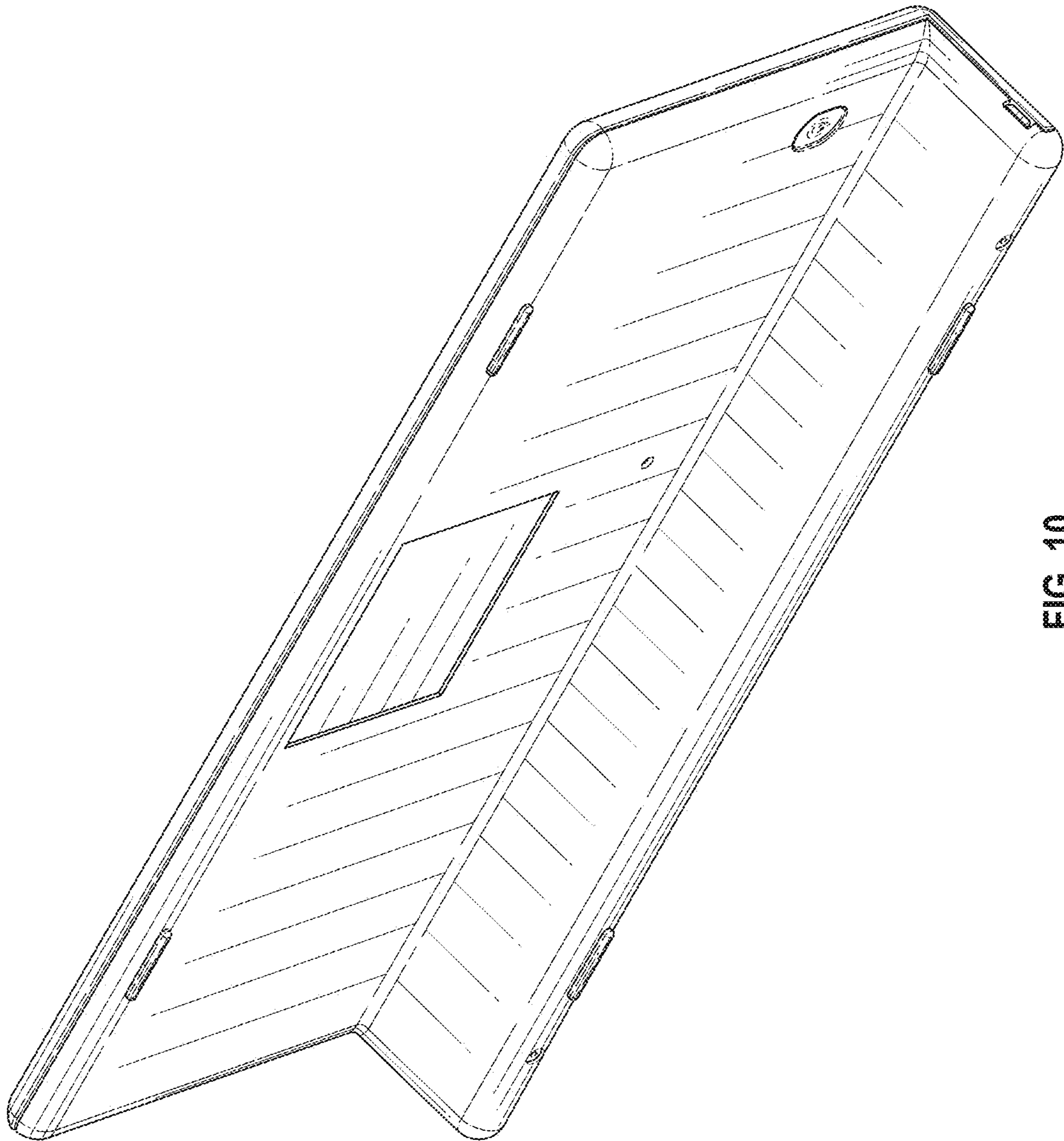


FIG. 10

UNITED STATES PATENT AND TRADEMARK OFFICE  
**CERTIFICATE OF CORRECTION**

PATENT NO. : D898,123 S  
APPLICATION NO. : 29/661928  
DATED : October 6, 2020  
INVENTOR(S) : Butler et al.

Page 1 of 1

It is certified that error appears in the above-identified patent and that said Letters Patent is hereby corrected as shown below:

On the Title Page

In "Description", in Column 2, Lines 2-3, delete "design, in a first configuration without a cover." and insert --design.-- therefor

In "Description", in Column 2, Line 14, delete "comapnion" and insert --companion-- therefor

Signed and Sealed this  
First Day of February, 2022



Drew Hirshfeld  
*Performing the Functions and Duties of the  
Under Secretary of Commerce for Intellectual Property and  
Director of the United States Patent and Trademark Office*