

US00D898122S

(12) **United States Design Patent** (10) **Patent No.:** **US D898,122 S**
Rivard (45) **Date of Patent:** **** Oct. 6, 2020**

(54) **THROWING GAME BOARD**
(71) Applicant: **Rivard Companies, Inc.**, East Bethel, MN (US)
(72) Inventor: **Michael Rivard**, Cedar, MN (US)
(73) Assignee: **Rivard Companies, Inc.**, East Bethel, MN (US)
(**) Term: **15 Years**
(21) Appl. No.: **29/610,922**
(22) Filed: **Jul. 17, 2017**
(51) **LOC (12) Cl.** **21-01**
(52) **U.S. Cl.**
USPC **D21/303**; D21/342; D21/337; D21/364
(58) **Field of Classification Search**
USPC D21/303, 301, 302, 304, 300, 334, 336, D21/341, 342, 343, 319, 789, 790, 791, D21/792, 397; 273/398-402, 343, 317, 273/336, 348, 407, 408, 410, 108, 287, 273/331, 236, 118 R, 123 R, 127 R; 473/180, 175, 179, 182, 185, 187, 569, 473/592
CPC A63B 63/00; A63B 63/08; A63B 67/00; A63B 67/06; A63B 67/066; A63B 2063/002; A63B 2067/065; A63B 2067/063; A63B 2067/061; A63B 2208/12; A63B 71/00
See application file for complete search history.

3,568,357 A 3/1971 Lebensfeld
D222,485 S * 10/1971 Grant D21/337
3,762,708 A 10/1973 Hing
3,820,789 A 6/1974 Dudley
3,837,650 A 9/1974 Haney
3,840,234 A * 10/1974 Felsten A63F 7/042
273/113
3,905,602 A * 9/1975 Madonna, Jr. A63F 3/00
273/249
4,022,472 A 5/1977 Seals
4,120,499 A * 10/1978 Stazzone A63B 67/06
273/338
4,276,705 A 7/1981 Barth et al.
4,331,335 A 5/1982 Starkweather
D272,841 S * 2/1984 Matsumoto D21/478
(Continued)

(56) **References Cited**
U.S. PATENT DOCUMENTS
731,192 A * 6/1903 Lewis A63B 67/06
273/338
1,989,484 A * 1/1935 Maryfield A63F 9/02
273/402
3,165,317 A 1/1965 Kirsch
3,178,227 A * 4/1965 Snyder A47C 5/005
297/440.12

OTHER PUBLICATIONS

“U.S. Appl. No. 15/843,966, Non Final Office Action dated Aug. 7, 2018”, 8 pgs.

(Continued)

Primary Examiner — Susan Moon Lee
(74) *Attorney, Agent, or Firm* — Schwegman Lundberg & Woessner, P.A.

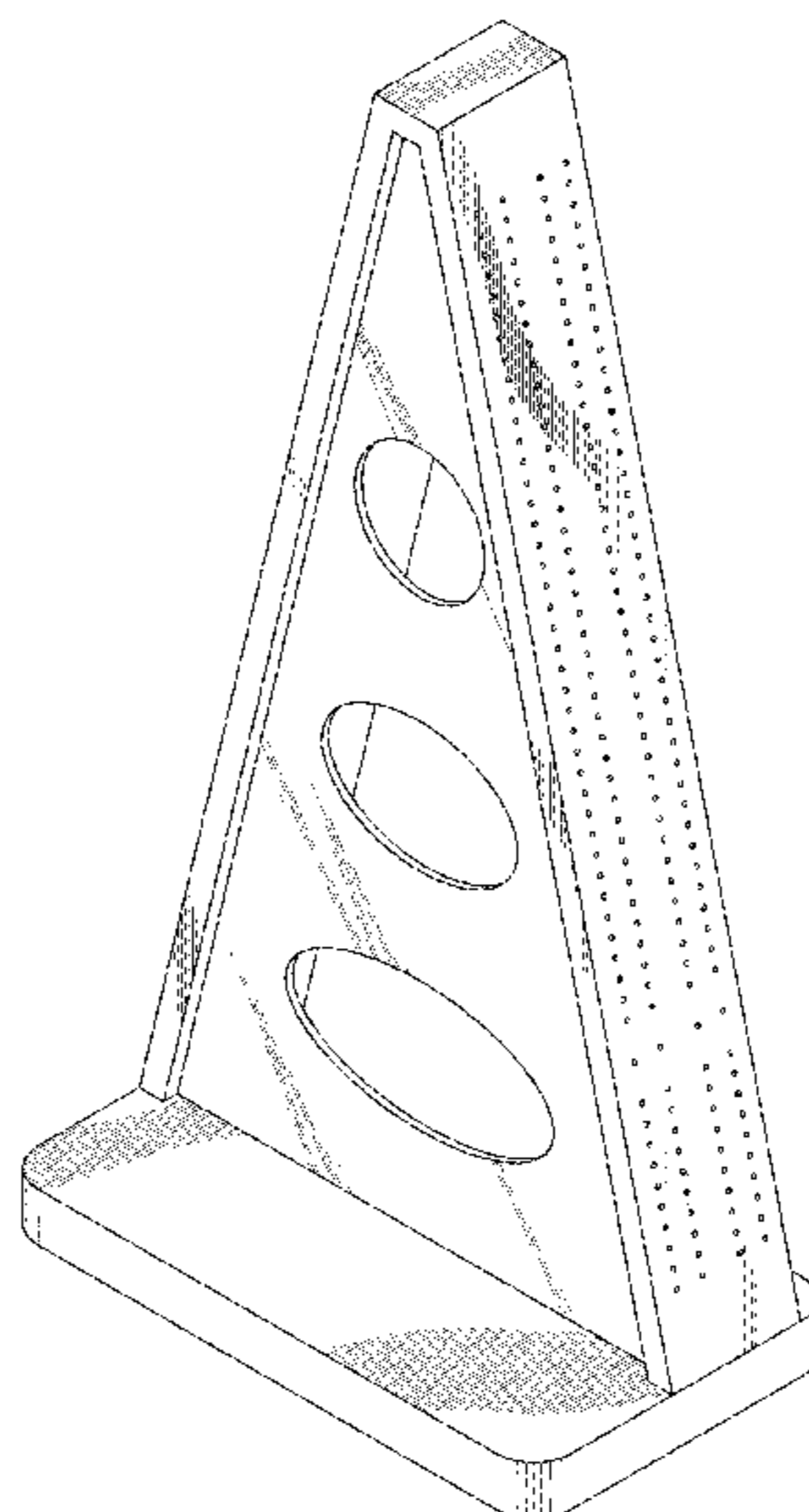
(57) **CLAIM**

An ornamental design for a throwing game board, as shown and described.

DESCRIPTION

FIG. 1 is a front, right side isometric view of a throwing game board showing my new design;
FIG. 2 is a front elevational view thereof;
FIG. 3 is a rear elevational view thereof;
FIG. 4 a top elevational view thereof;
FIG. 5 is a bottom elevational view thereof;
FIG. 6 is a right side elevational view thereof; and,
FIG. 7 is a left side elevational view thereof.

1 Claim, 7 Drawing Sheets



(56)

References Cited

U.S. PATENT DOCUMENTS

| | | | | | | | |
|--------------|------|---------|--------------------|-------|-----------------------|--|--|
| 4,826,177 | A | 5/1989 | Ponte | | | | |
| 4,919,436 | A | 4/1990 | Buselli | | | | |
| 4,923,201 | A | 5/1990 | Nichol et al. | | | | |
| 4,927,160 | A | 5/1990 | Nicol et al. | | | | |
| 4,938,485 | A | 7/1990 | Hockridge et al. | | | | |
| 4,943,065 | A | 7/1990 | Delapa | | | | |
| 4,961,586 | A | 10/1990 | Conville | | | | |
| 4,986,549 | A | 1/1991 | Kuhtic et al. | | | | |
| D315,186 | S * | 3/1991 | Peterson | | D21/803 | | |
| 5,050,889 | A | 9/1991 | Walker | | | | |
| 5,056,796 | A | 10/1991 | Conville | | | | |
| 5,165,695 | A | 11/1992 | Yoder | | | | |
| D343,426 | S * | 1/1994 | Sher | | 446/128 | | |
| D343,790 | S * | 2/1994 | Mermelstein | | D9/418 | | |
| 5,318,308 | A | 6/1994 | Holms | | | | |
| 5,320,360 | A | 6/1994 | St. Pierre | | | | |
| 5,332,230 | A | 7/1994 | Benedict | | | | |
| D363,953 | S | 11/1995 | Buse | | | | |
| 5,516,114 | A | 5/1996 | Michlin et al. | | | | |
| 5,536,017 | A | 7/1996 | Salisian | | | | |
| D392,185 | S * | 3/1998 | Husted | | D9/418 | | |
| 5,765,832 | A | 6/1998 | Huff | | | | |
| 5,871,216 | A | 2/1999 | Sparacino | | | | |
| 5,909,877 | A | 6/1999 | Bour | | | | |
| 6,244,598 | B1 | 6/2001 | Conville | | | | |
| 6,554,724 | B2 | 4/2003 | Taylor | | | | |
| D478,194 | S * | 8/2003 | McGinty | | D30/160 | | |
| 6,843,478 | B1 | 1/2005 | Hoepelman | | | | |
| 6,866,268 | B2 | 3/2005 | Christianson | | | | |
| D505,321 | S * | 5/2005 | Bechard | | D9/418 | | |
| 6,932,345 | B1 | 8/2005 | O'Dell | | | | |
| D515,683 | S * | 2/2006 | LaBlaine | | D23/366 | | |
| 7,096,790 | B1 * | 8/2006 | Wah | | F42B 4/20 102/343 | | |
| D544,041 | S | 6/2007 | Murphy et al. | | | | |
| 7,237,777 | B2 | 7/2007 | Digges, III et al. | | | | |
| 7,314,420 | B2 | 1/2008 | Konstant | | | | |
| D592,410 | S * | 5/2009 | Pozin | | D6/309 | | |
| 7,607,666 | B1 | 10/2009 | Studier | | | | |
| D604,977 | S | 12/2009 | Conville | | | | |
| D616,728 | S * | 6/2010 | Bucci | | D21/505 | | |
| 7,802,795 | B2 | 9/2010 | Bos | | | | |
| 7,854,528 | B2 | 12/2010 | Segretto et al. | | | | |
| D631,729 | S * | 2/2011 | Bucci | | D21/505 | | |
| 7,887,059 | B2 | 2/2011 | Kiernan | | | | |
| D635,010 | S * | 3/2011 | Bucci | | D21/505 | | |
| D635,197 | S | 3/2011 | Pryor | | | | |
| D642,447 | S * | 8/2011 | Bucci | | D8/354 | | |
| D645,520 | S | 9/2011 | Dahl | | | | |
| D649,435 | S * | 11/2011 | Bucci | | D21/505 | | |
| D652,709 | S * | 1/2012 | Bucci | | D8/354 | | |
| 8,127,689 | B2 | 3/2012 | Christian et al. | | | | |
| 8,157,265 | B2 | 4/2012 | Conville et al. | | | | |
| 8,162,318 | B1 | 4/2012 | Peterson et al. | | | | |
| D660,685 | S * | 5/2012 | Bucci | | D21/505 | | |
| D662,746 | S | 7/2012 | Conville | | | | |
| D668,933 | S * | 10/2012 | Bucci | | D8/354 | | |
| D669,760 | S * | 10/2012 | Bucci | | D8/354 | | |
| D672,222 | S * | 12/2012 | Bucci | | D8/354 | | |
| D673,027 | S * | 12/2012 | Wang | | D8/354 | | |
| 8,347,790 | B1 | 1/2013 | Maiers | | | | |
| 8,444,150 | B1 | 5/2013 | Stirtz | | | | |
| 8,657,293 | B2 | 2/2014 | Sindaco | | | | |
| D706,353 | S | 6/2014 | Montenare | | | | |
| D706,354 | S | 6/2014 | Montenare | | | | |
| D706,355 | S | 6/2014 | Montenare | | | | |
| 8,794,629 | B1 | 8/2014 | Humphreys | | | | |
| 8,807,569 | B1 | 8/2014 | Davis | | | | |
| 8,827,845 | B1 | 9/2014 | Griffin | | | | |
| D741,409 | S | 10/2015 | Moulton | | | | |
| D741,951 | S | 10/2015 | Angel | | | | |
| 9,248,357 | B2 | 2/2016 | Francis | | | | |
| 9,381,414 | B1 | 7/2016 | Gatton | | | | |
| 9,550,101 | B2 | 1/2017 | Janeri | | | | |
| 9,687,708 | B2 | 6/2017 | Bennett | | | | |
| 9,687,709 | B2 | 6/2017 | Riniti | | | | |
| D835,614 | S * | 12/2018 | Kahn | | D14/240 | | |
| D837,092 | S * | 1/2019 | Yang | | D11/131.1 | | |
| D848,595 | S * | 5/2019 | Nechita | | D23/366 | | |
| 2002/0079645 | A1 | 6/2002 | Brown | | | | |
| 2005/0023762 | A1 | 2/2005 | Greiwe et al. | | | | |
| 2006/0038341 | A1 | 2/2006 | Konstant | | | | |
| 2006/0125186 | A1 | 6/2006 | Digges, III et al. | | | | |
| 2006/0255537 | A1 | 11/2006 | Gandley | | | | |
| 2007/0080499 | A1 | 4/2007 | Greiwe et al. | | | | |
| 2008/0157476 | A1 | 7/2008 | Striebel et al. | | | | |
| 2008/0179833 | A1 | 7/2008 | Held et al. | | | | |
| 2009/0051133 | A1 | 2/2009 | Oshiro | | | | |
| 2009/0062002 | A1 | 3/2009 | Kotlarik et al. | | | | |
| 2009/0091926 | A1 | 4/2009 | Segretto et al. | | | | |
| 2009/0115136 | A1 | 5/2009 | Voden | | | | |
| 2009/0295093 | A1 | 12/2009 | Kiernan | | | | |
| 2010/0058958 | A1 | 3/2010 | Christian et al. | | | | |
| 2010/0140873 | A1 | 6/2010 | Britton et al. | | | | |
| 2010/0164175 | A1 | 7/2010 | Buchanan | | | | |
| 2010/0181726 | A1 | 7/2010 | Bos | | | | |
| 2010/0194047 | A1 | 8/2010 | Sauerwine | | | | |
| 2010/0295248 | A1 | 11/2010 | Krause et al. | | | | |
| 2010/0320692 | A1 | 12/2010 | Tookey | | | | |
| 2011/0193287 | A1 | 8/2011 | Hopkins et al. | | | | |
| 2011/0215528 | A1 | 9/2011 | Conville et al. | | | | |
| 2011/0291357 | A1 | 12/2011 | Boyle | | | | |
| 2012/0038109 | A1 | 2/2012 | Battista | | | | |
| 2012/0193873 | A1 | 8/2012 | Sindaco | | | | |
| 2013/0026713 | A1 | 1/2013 | Angel | | | | |
| 2013/0082442 | A1 | 4/2013 | Hanel | | | | |
| 2013/0234394 | A1 | 9/2013 | Voden | | | | |
| 2014/0015198 | A1 | 1/2014 | Francis | | | | |
| 2014/0052646 | A1 | 2/2014 | Ross | | | | |
| 2014/0091525 | A1 | 4/2014 | Ramirez | | | | |
| 2014/0091526 | A1 | 4/2014 | Nally | | | | |
| 2014/0151963 | A1 | 6/2014 | Bennett | | | | |
| 2014/0183822 | A1 | 7/2014 | Etheridge | | | | |
| 2014/0183823 | A1 | 7/2014 | Deming et al. | | | | |
| 2014/0239594 | A1 | 8/2014 | Deloatch | | | | |
| 2014/0333028 | A2 | 11/2014 | Nally | | | | |
| 2015/0108719 | A1 | 4/2015 | Devine | | | | |
| 2015/0115532 | A1 | 4/2015 | Martinson et al. | | | | |
| 2015/0130135 | A1 | 5/2015 | Shalhoub | | | | |
| 2015/0231467 | A1 | 8/2015 | Sciandra | | | | |
| 2015/0265894 | A1 | 9/2015 | Weber et al. | | | | |
| 2015/0328515 | A1 | 11/2015 | Prendergast | | | | |
| 2016/0008689 | A1 | 1/2016 | Janeri | | | | |
| 2016/0023095 | A1 | 1/2016 | Nally | | | | |
| 2016/0065883 | A1 | 3/2016 | Huffman et al. | | | | |
| 2016/0082334 | A1 | 3/2016 | Olive | | | | |
| 2016/0089589 | A1 * | 3/2016 | Ali | | A63B 63/00 273/401 | | |
| 2016/0192783 | A1 | 7/2016 | Kelly | | | | |
| 2016/0256758 | A1 | 9/2016 | Riniti | | | | |
| 2016/0325163 | A1 | 11/2016 | Tsai | | | | |
| 2017/0056739 | A1 | 3/2017 | Jacobson et al. | | | | |
| 2017/0095715 | A1 | 4/2017 | Maginnis | | | | |
| 2017/0113112 | A1 | 4/2017 | Voss | | | | |
| 2017/0138586 | A1 | 5/2017 | Finch et al. | | | | |
| 2017/0173427 | A1 | 6/2017 | Wolters | | | | |
| 2017/0173428 | A1 | 6/2017 | Wolters | | | | |
| 2018/0207503 | A1 | 7/2018 | Rivard | | | | |
| 2020/0114235 | A1 | 4/2020 | Rivard | | | | |

OTHER PUBLICATIONS

U.S. Appl. No. 16/519,965, filed Jul. 23, 2019, Method and Apparatus for Bag Throwing Game.

U.S. Appl. No. 15/843,966, Final Office Action dated Jan. 23, 2019, 7 pgs.

U.S. Appl. No. 15/843,966, filed Jan. 4, 2019 to Non Final Office Action dated Aug. 7, 2018, 8 pgs.

U.S. Appl. No. 16/519,965, Non Final Office Action dated Feb. 10, 2020, 13 pgs.

(56)

References Cited

OTHER PUBLICATIONS

U.S. Appl. No. 15/843,966, filed Dec. 15, 2017, Method and Apparatus for Bag Throwing Game.

* cited by examiner

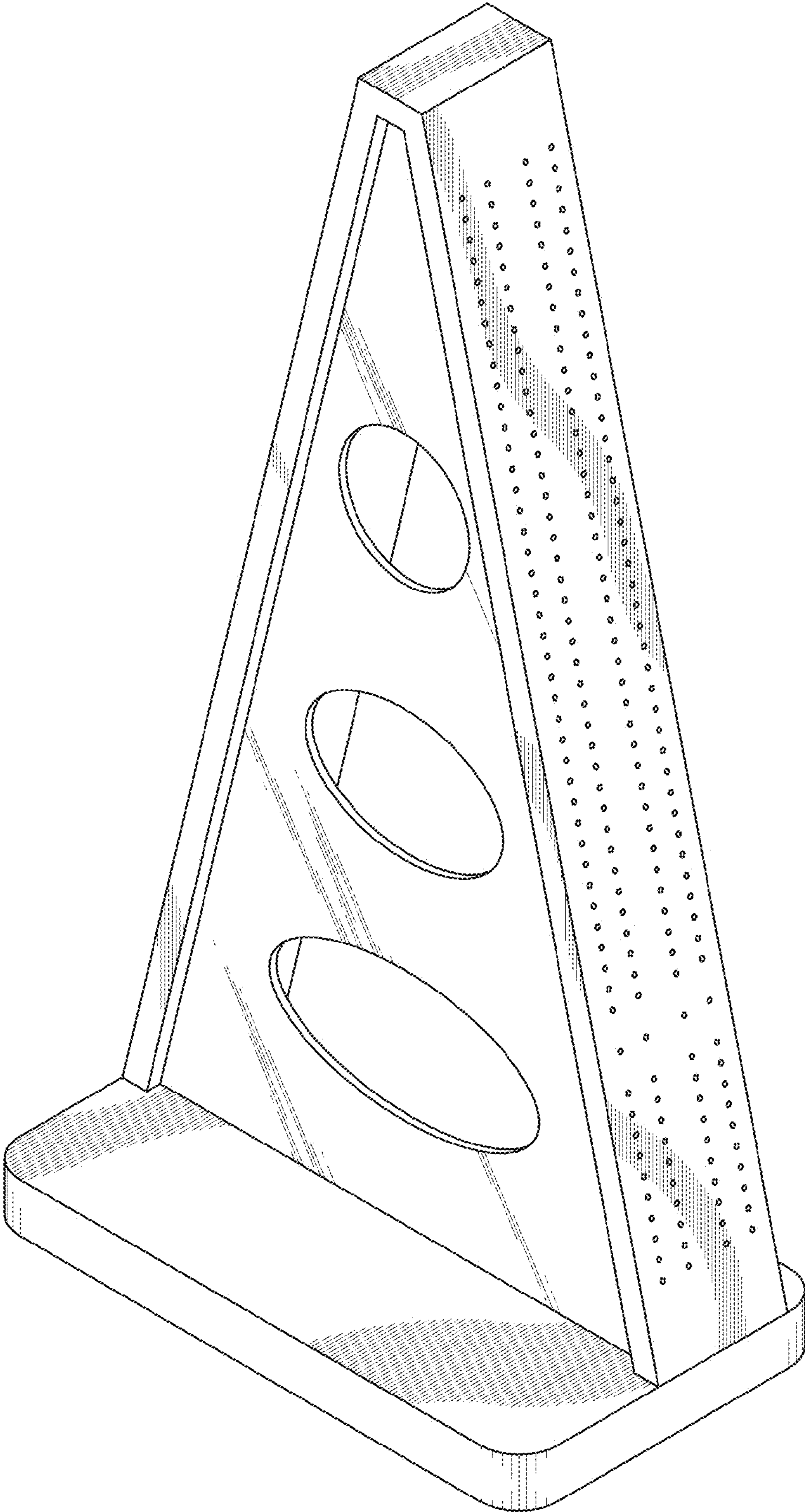


Fig. 1

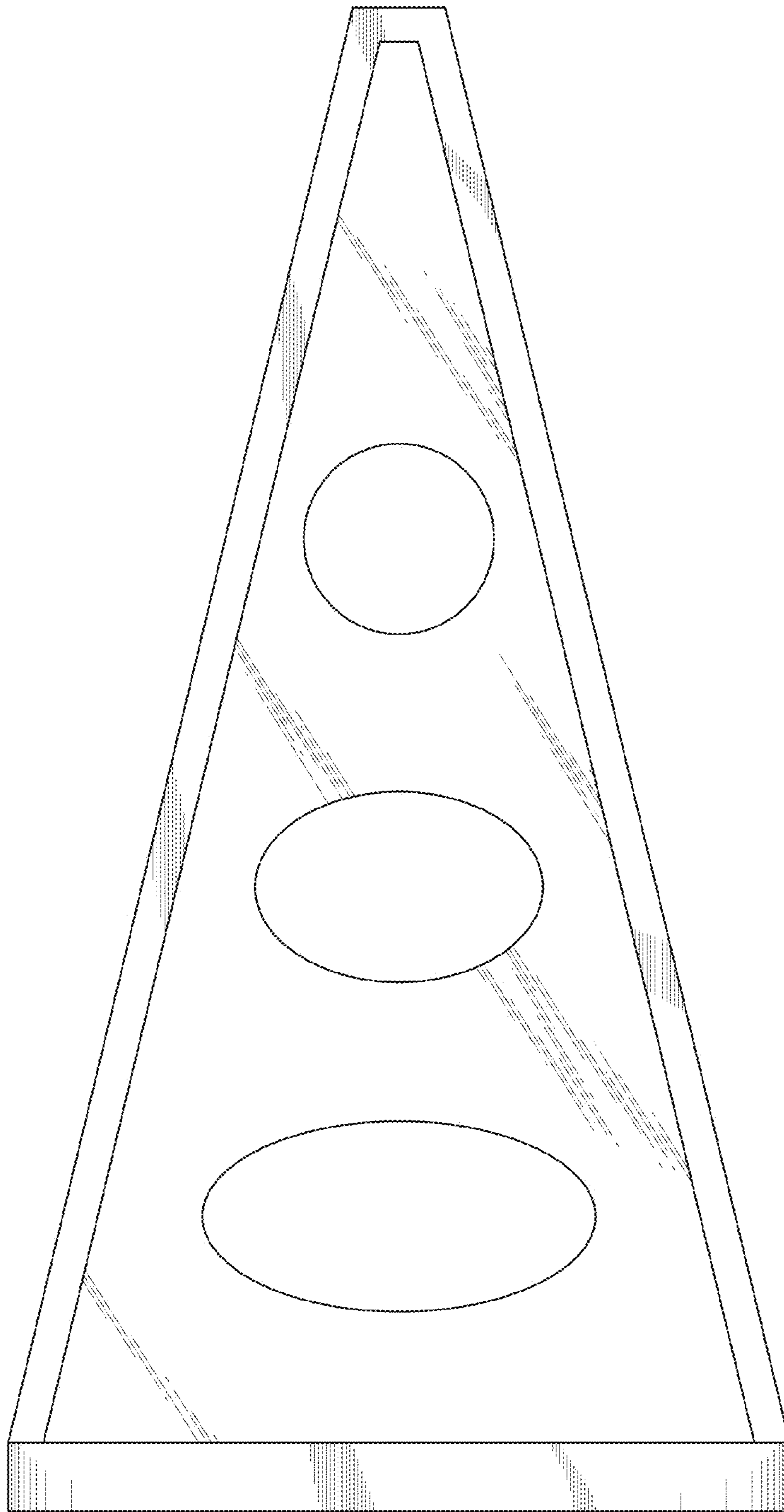


Fig. 2

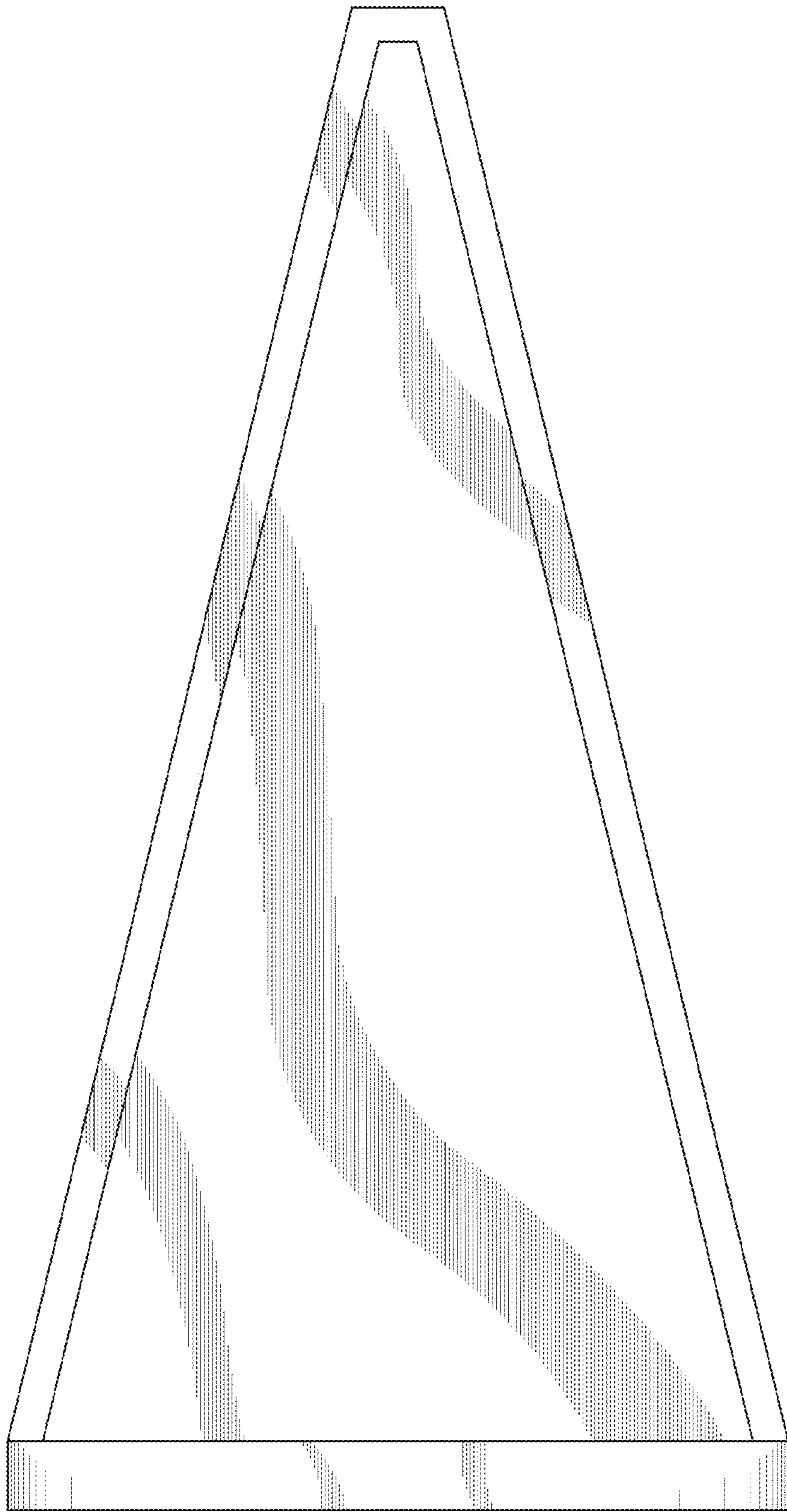


Fig. 3

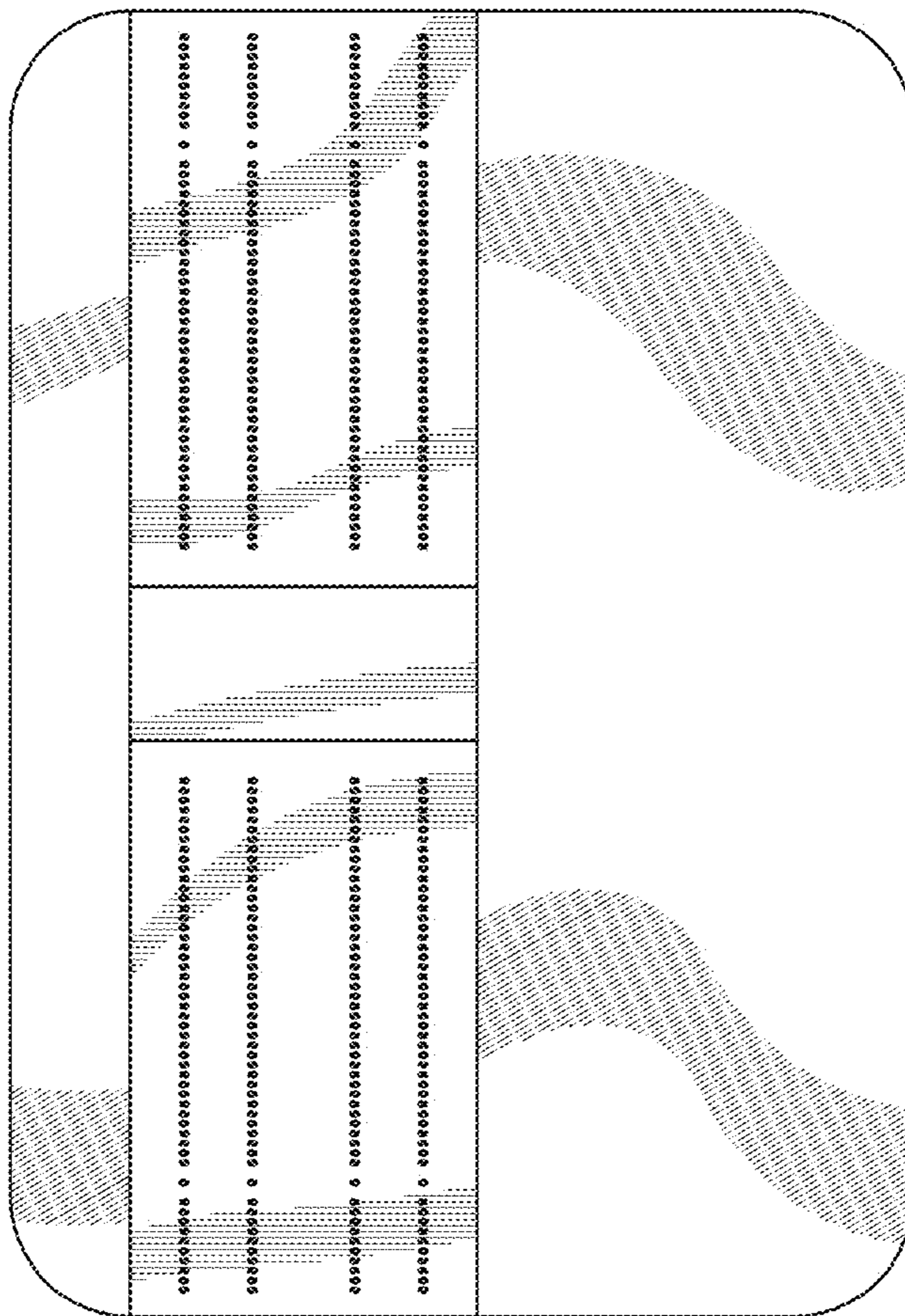


Fig. 4

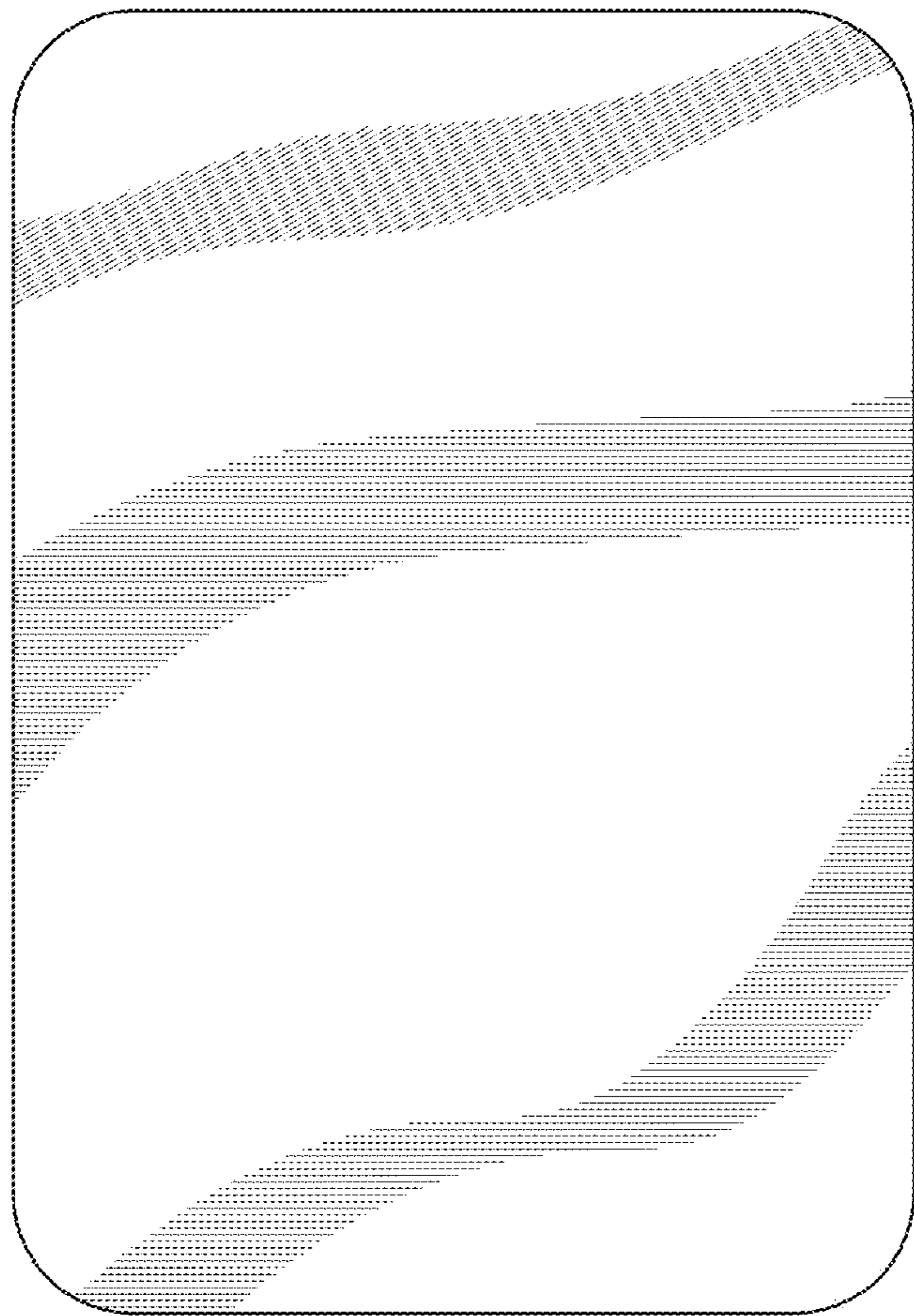


Fig. 5

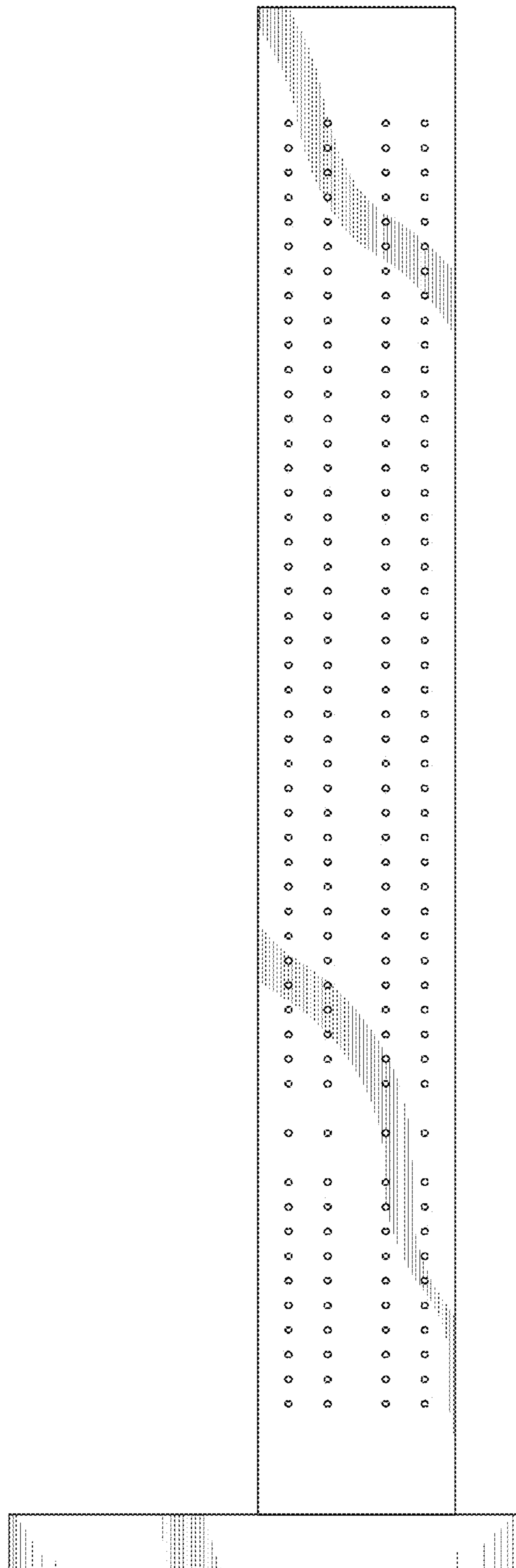


Fig. 6

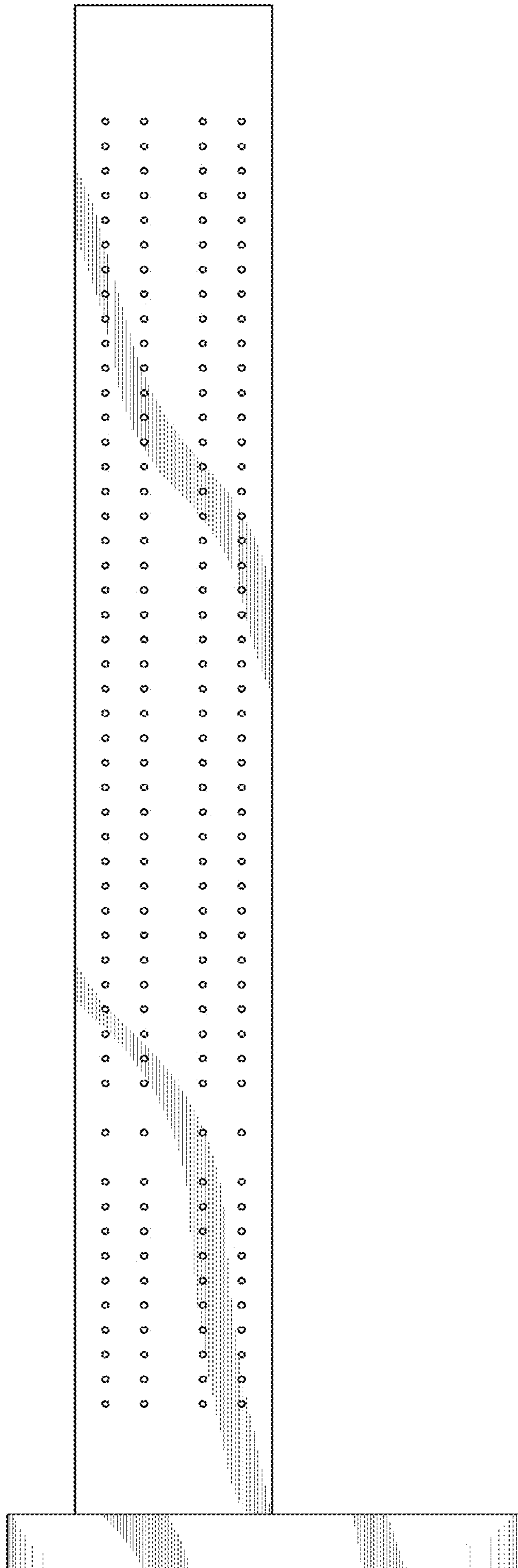


Fig. 7

UNITED STATES PATENT AND TRADEMARK OFFICE
CERTIFICATE OF CORRECTION

PATENT NO. : D898,122 S
APPLICATION NO. : 29/610922
DATED : October 6, 2020
INVENTOR(S) : Michael Rivard

Page 1 of 1

It is certified that error appears in the above-identified patent and that said Letters Patent is hereby corrected as shown below:

On the Title Page

Item (71), in "Applicant", in Column 1, Line 1, delete "Inc.," and insert --Inc. DBA Gromomics,--
therefor

Item (73), in "Assignee", in Column 1, Line 1, delete "Inc.," and insert --Inc. DBA Gromomics,--
therefor

Signed and Sealed this
Twentieth Day of April, 2021



Drew Hirshfeld
*Performing the Functions and Duties of the
Under Secretary of Commerce for Intellectual Property and
Director of the United States Patent and Trademark Office*