



US00D898117S

(12) **United States Design Patent**  
**Pan**

(10) **Patent No.:** **US D898,117 S**

(45) **Date of Patent:** **\*\* Oct. 6, 2020**

- (54) **FILE ORGANIZER**
- (71) Applicant: **Jingwei Pan**, Shenzhen (CN)
- (72) Inventor: **Jingwei Pan**, Shenzhen (CN)
- (\*\*) Term: **15 Years**
- (21) Appl. No.: **29/719,612**
- (22) Filed: **Jan. 6, 2020**
- (51) **LOC (12) Cl.** ..... **19-02**
- (52) **U.S. Cl.**  
USPC ..... **D19/90**
- (58) **Field of Classification Search**  
USPC ..... D19/26, 86, 90; D3/290, 303  
CPC ..... B42F 7/00; B42F 7/02; B42F 7/06; B42F  
7/08; B42F 7/145; B42F 21/04; B42P  
2221/04; B42P 2241/02; B42P 2241/06;  
B42P 2241/10  
See application file for complete search history.

- 5,630,509 A \* 5/1997 Su ..... B42F 7/08  
206/425
- 5,947,279 A \* 9/1999 Lee ..... B42F 7/08  
206/232
- 6,364,110 B2 \* 4/2002 Johnson ..... A45C 3/00  
190/901
- 6,431,357 B1 \* 8/2002 Su ..... B42F 7/08  
206/425
- 6,502,742 B1 \* 1/2003 Su ..... B42F 7/08  
229/67.3
- 6,607,122 B1 \* 8/2003 Ong ..... B42F 7/08  
150/113
- 6,796,428 B1 \* 9/2004 Ong ..... B42F 7/08  
206/425
- 6,880,747 B1 \* 4/2005 Pelleg ..... B42F 7/08  
206/425
- 6,905,064 B1 \* 6/2005 Ong ..... B42F 7/08  
229/67.1

(Continued)

*Primary Examiner* — Elizabeth A. Albert  
(74) *Attorney, Agent, or Firm* — Law Offices of Steven  
W. Weinrieb

(56) **References Cited**

U.S. PATENT DOCUMENTS

- 554,574 A \* 2/1896 Bennett ..... B42F 17/02  
206/425
- 1,952,753 A \* 3/1934 Harden ..... B42F 7/08  
229/67.1
- 1,983,418 A \* 12/1934 Thurmer ..... A45C 13/02  
206/427
- 2,316,328 A \* 4/1943 Guenther ..... A45C 3/02  
190/124
- D271,919 S \* 12/1983 Duffy ..... D19/26
- 4,790,474 A \* 12/1988 Mitsuyama ..... A45C 11/24  
229/120.02
- 4,988,038 A \* 1/1991 Mitsuyama ..... A45C 3/02  
190/902
- D317,018 S \* 5/1991 Tarlow ..... D19/75
- 5,016,370 A \* 5/1991 Rhian et al.
- 5,271,502 A \* 12/1993 Chang ..... B42F 7/08  
206/425

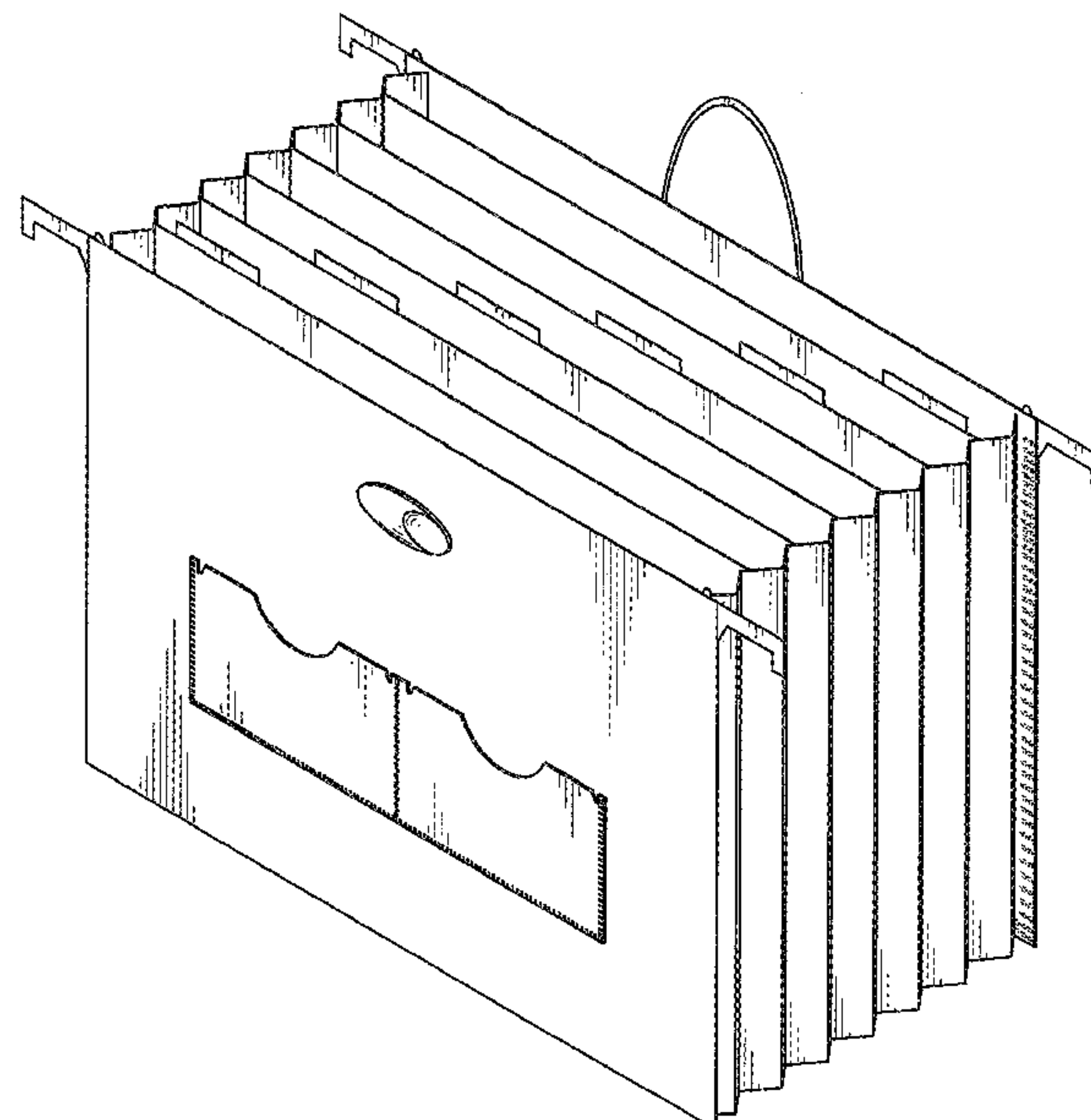
(57) **CLAIM**

The ornamental design for a file organizer, as shown and described.

**DESCRIPTION**

FIG. 1 is a front, right side, top perspective view of a file organizer showing my new design; FIG. 2 is a rear, left side, bottom perspective view thereof; FIG. 3 is a front elevational view thereof; FIG. 4 is a rear elevational view thereof; FIG. 5 is a left side elevational view thereof; FIG. 6 is a right side elevational view thereof; and, FIG. 7 is a bottom plan view thereof. The broken lines depict portions of the file organizer that form no part of the claimed design.

**1 Claim, 7 Drawing Sheets**



(56)

References Cited

U.S. PATENT DOCUMENTS

6,968,949 B2 *	11/2005	Zivic .....	B42F 7/08 206/425	2002/0060166 A1 *	5/2002	Johnson .....	A45C 3/00 206/425
D530,091 S	10/2006	Chang		2002/0121775 A1 *	9/2002	Sperry .....	B42F 7/08 281/22
D548,972 S	8/2007	Wald		2007/0227926 A1 *	10/2007	Shapiro .....	A45C 3/02 206/425
D562,551 S *	2/2008	Liu .....	D3/246	2008/0185423 A1 *	8/2008	Chou .....	B42F 7/02 229/67.2
D562,555 S	2/2008	Shapiro et al.		2009/0166400 A1 *	7/2009	Lee .....	B42F 7/08 229/67.3
D573,196 S *	7/2008	Johnson-Hunt .....	D19/90	2011/0108611 A1 *	5/2011	Huang .....	B42F 7/08 229/67.2
D573,653 S *	7/2008	Chen .....	D19/90	2015/0041607 A1 *	2/2015	Rowe .....	B42F 7/145 248/346.03
7,407,469 B2	8/2008	Lockhart		2015/0159979 A1 *	6/2015	Berringer .....	F41H 5/08 229/67.3
D582,192 S *	12/2008	Pan .....	D19/90				
7,458,501 B1 *	12/2008	Pelleg .....	A45C 3/02 229/67.1				
7,644,857 B2 *	1/2010	Chou .....	A45C 3/02 229/67.3				
7,909,234 B2 *	3/2011	Maistrellis .....	B42F 7/08 229/67.4				
D709,552 S	7/2014	Bowman et al.					

\* cited by examiner

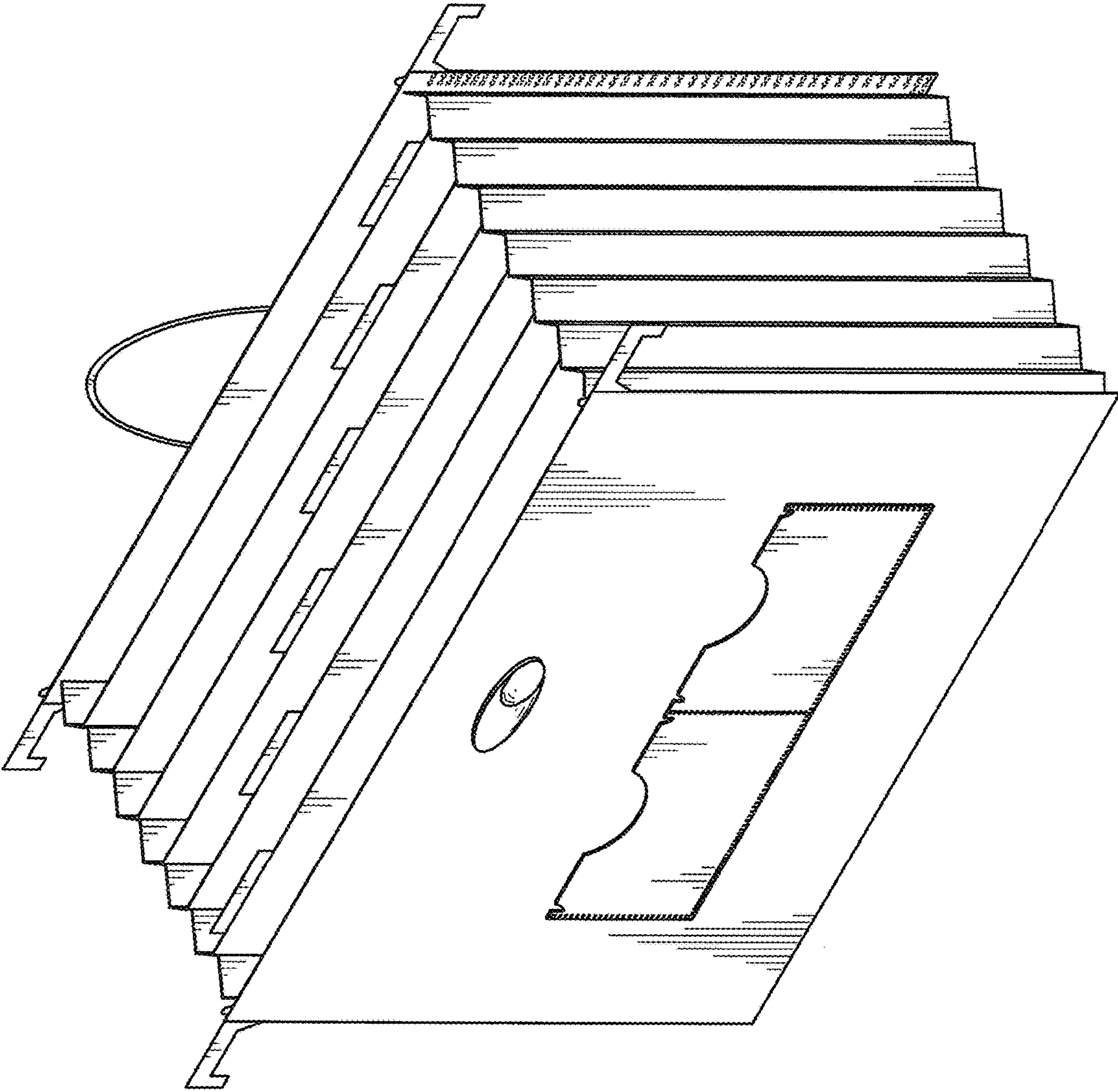


FIG. 1

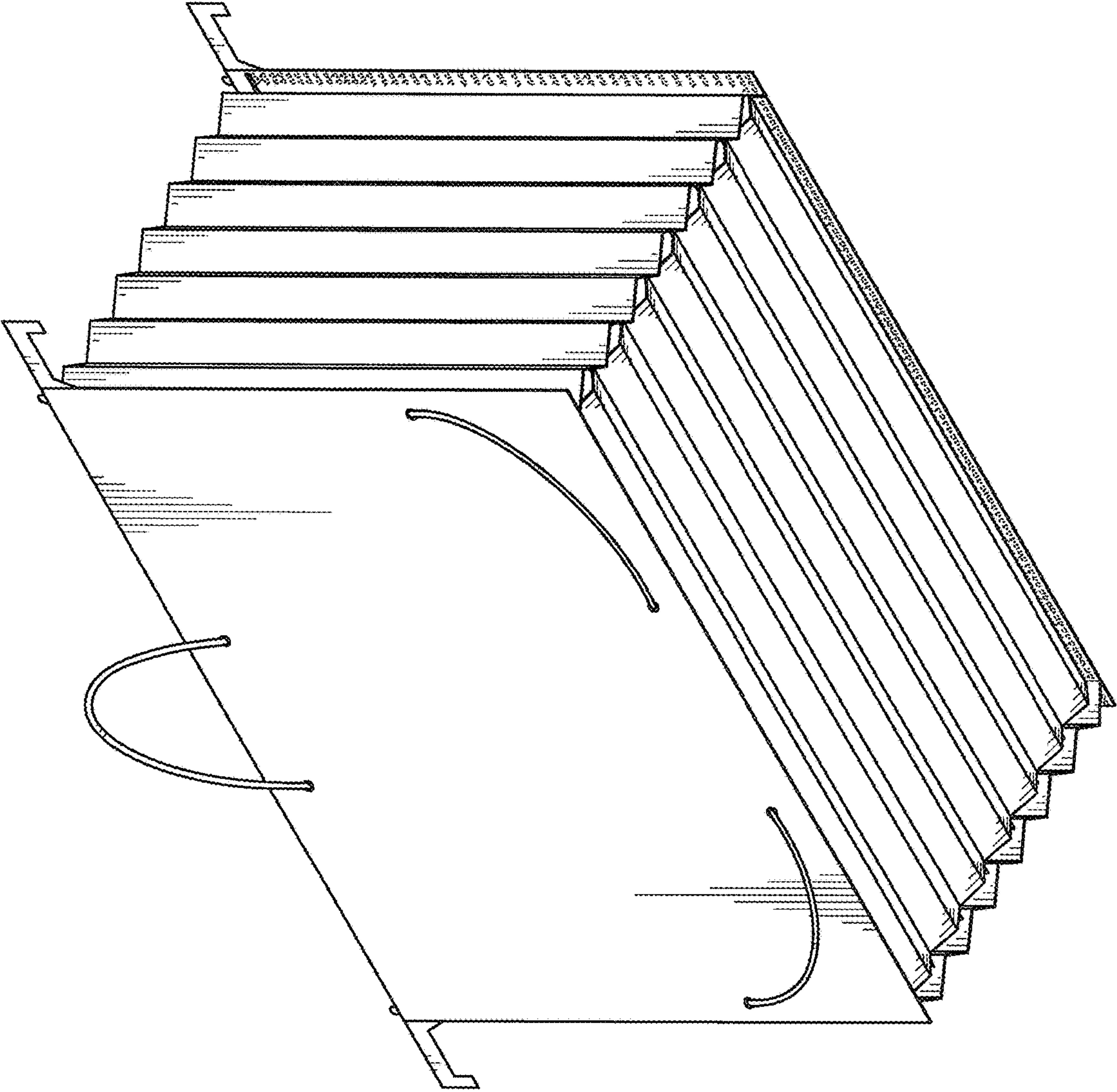


FIG. 2



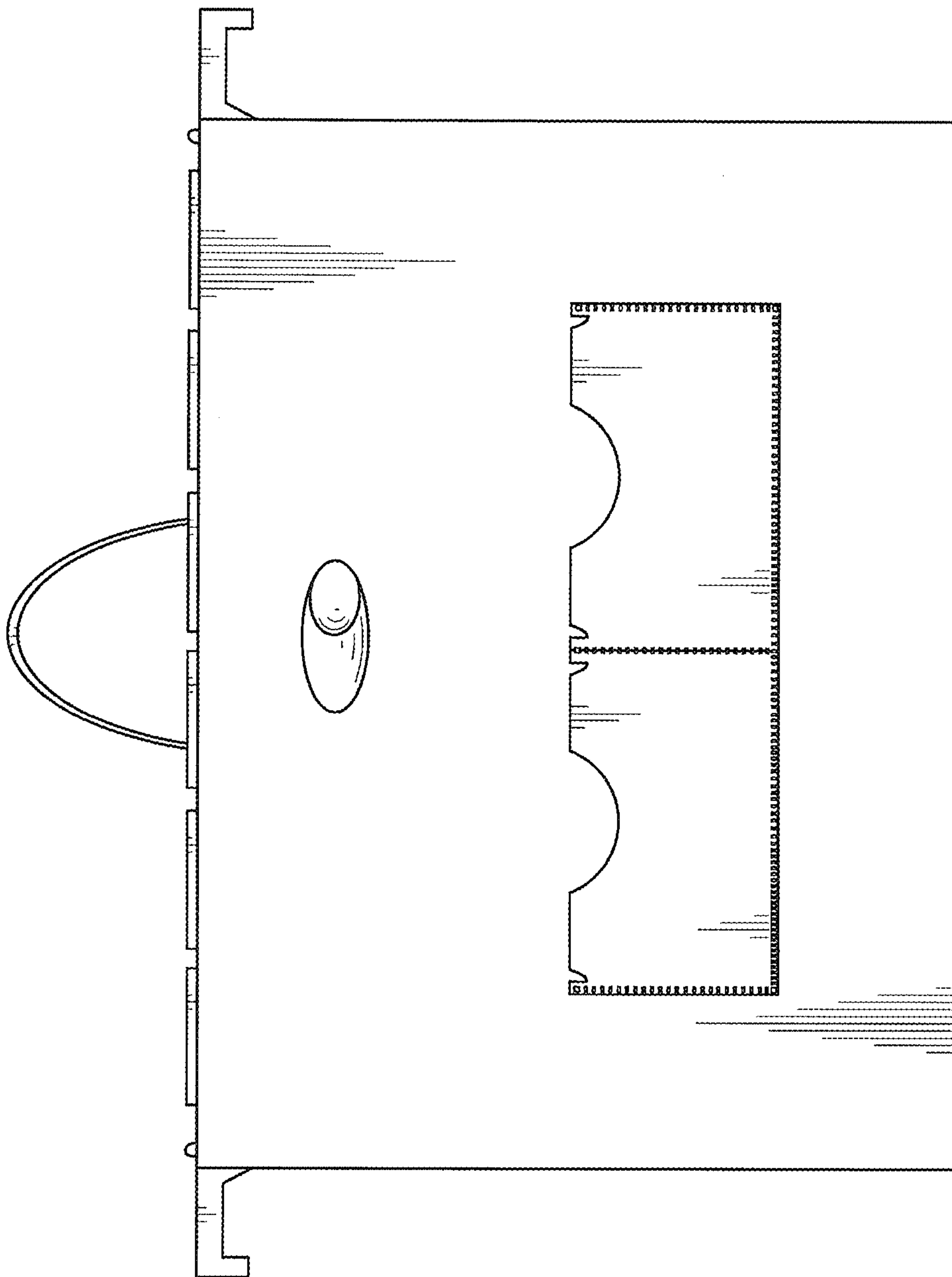


FIG. 3

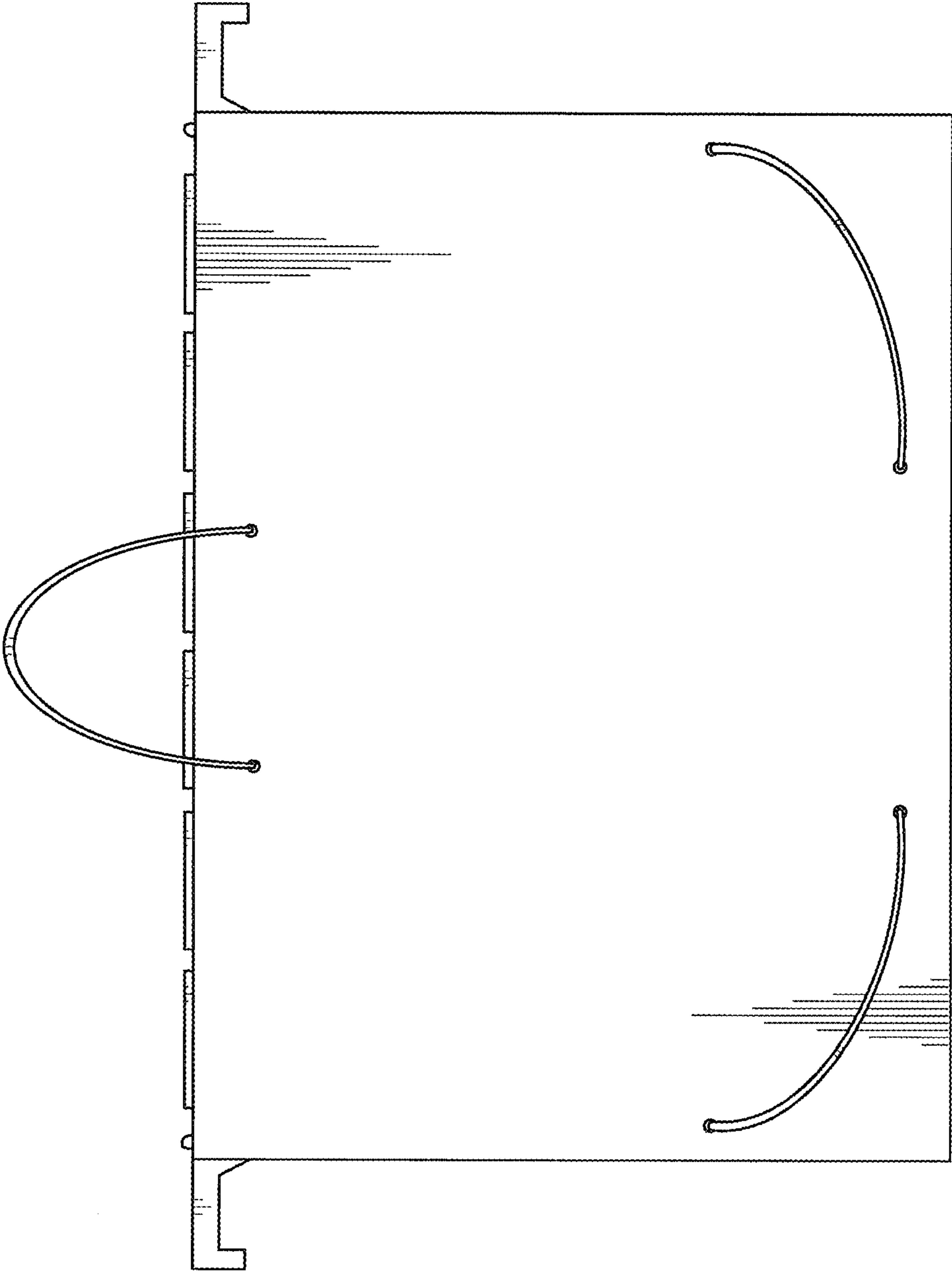


FIG. 4

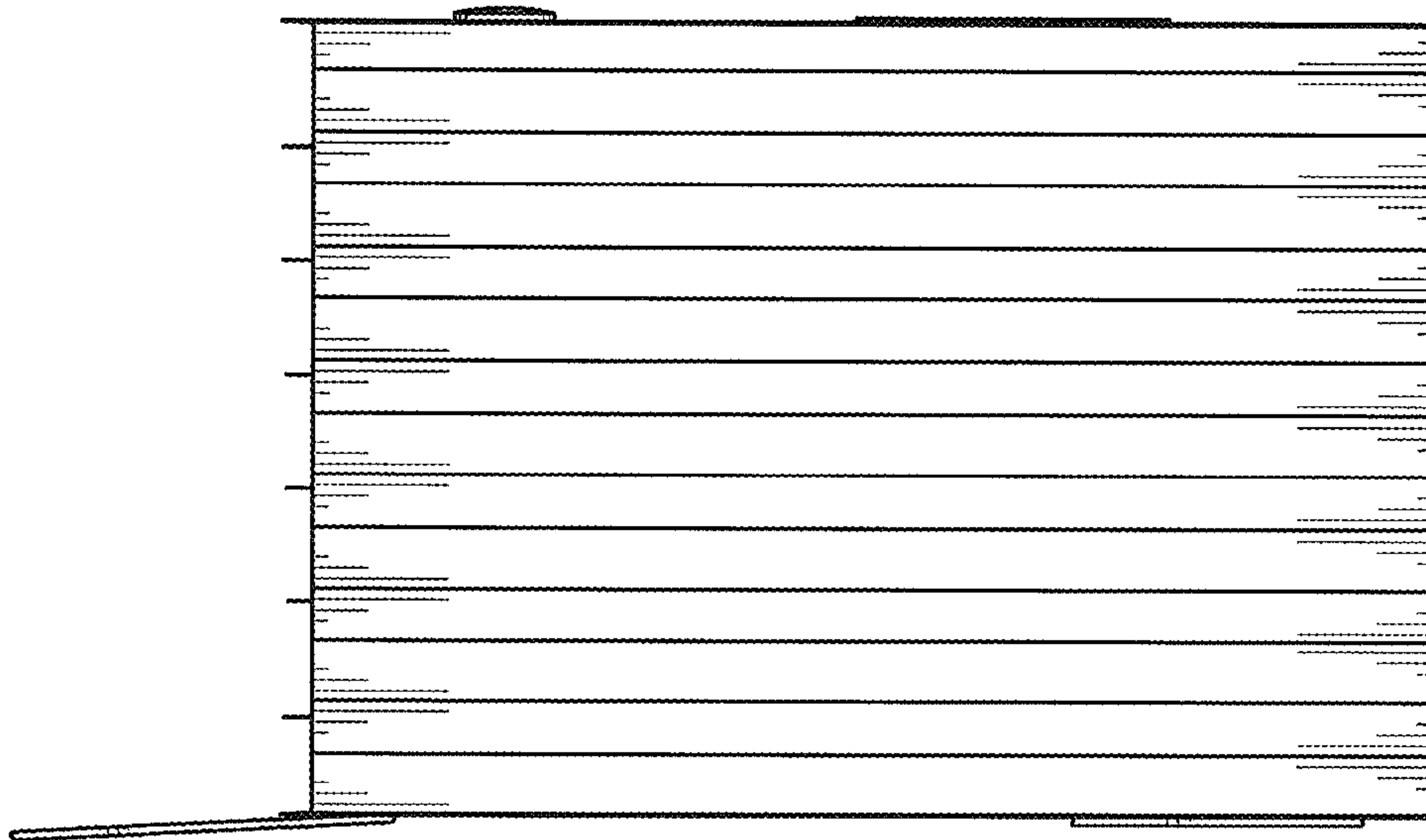


FIG. 5

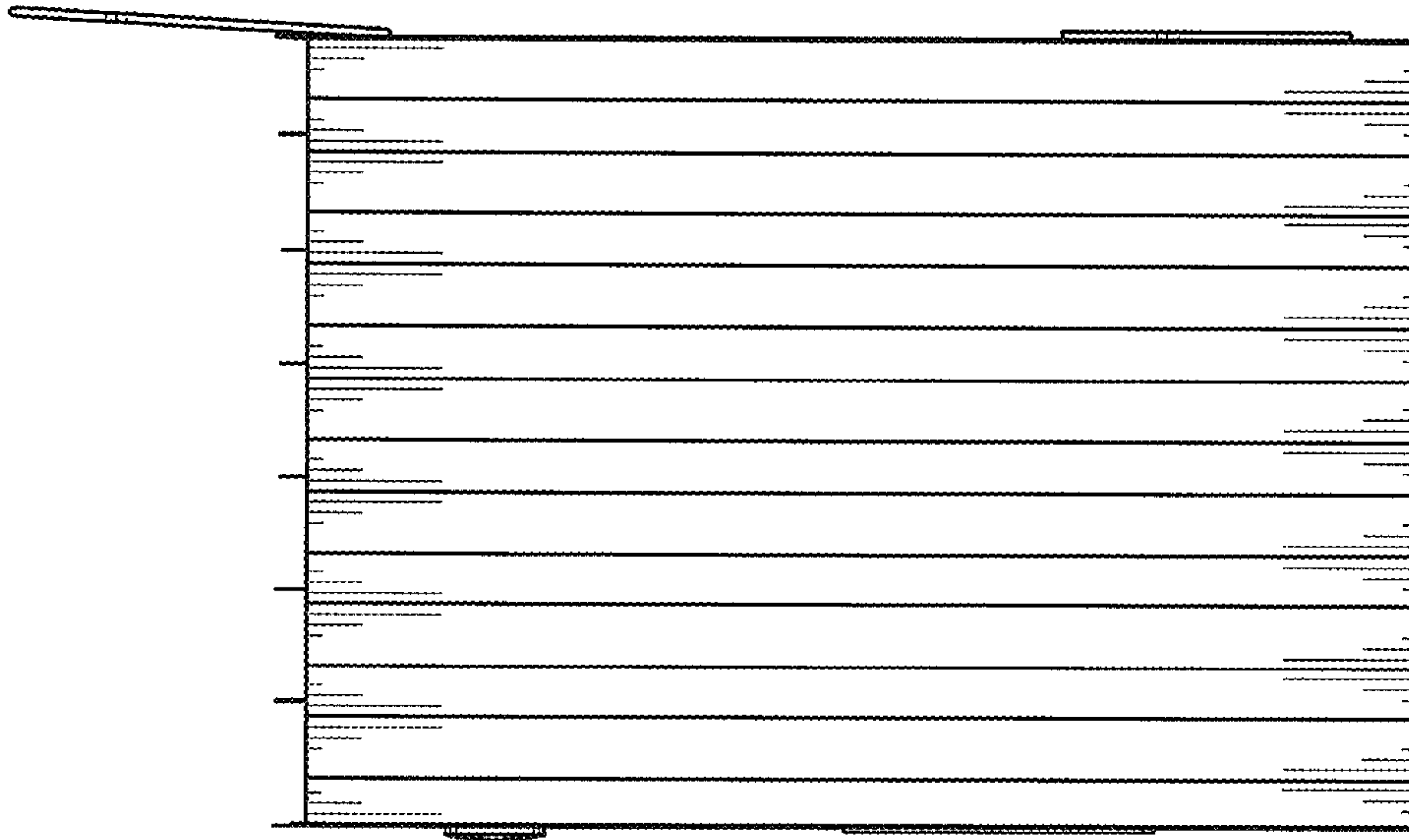


FIG. 6



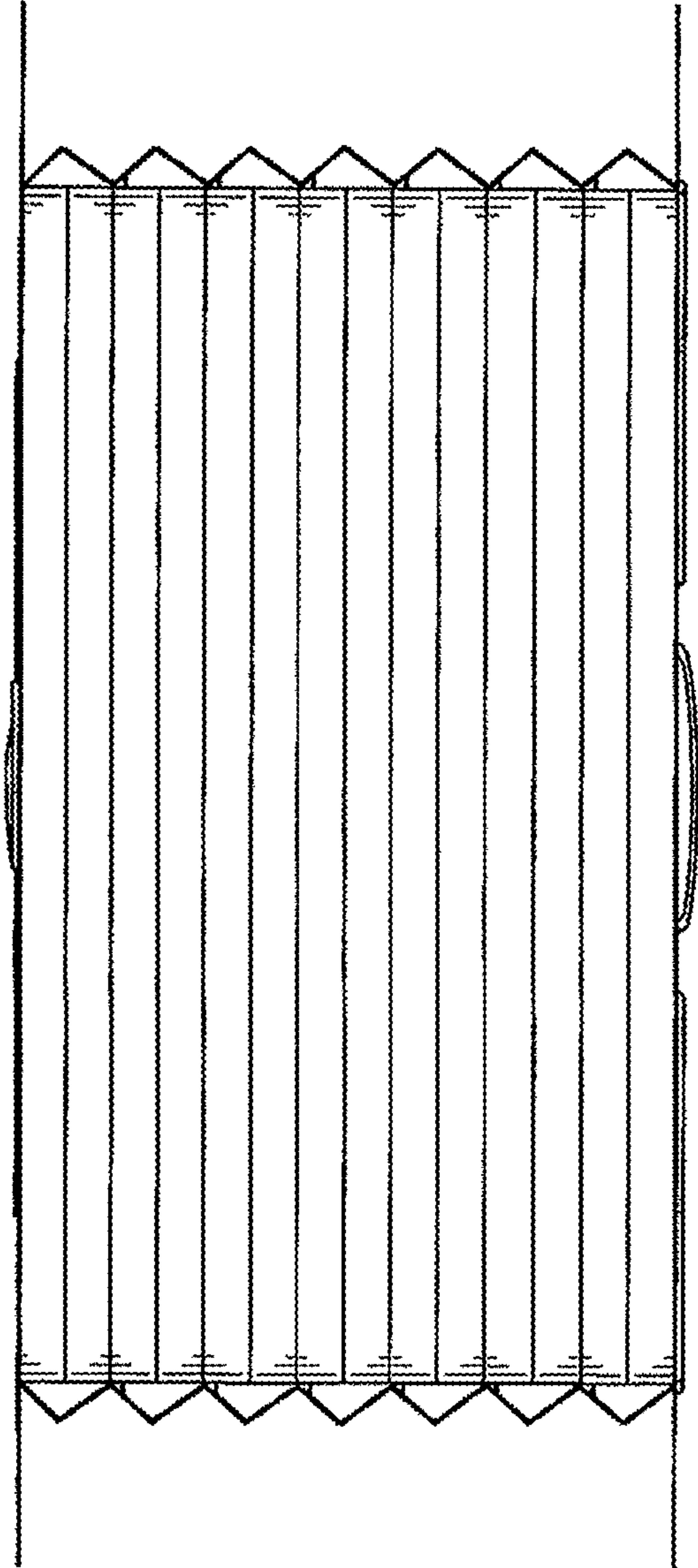


FIG. 7