



US00D898116S

(12) **United States Design Patent**
Snell

(10) **Patent No.:** **US D898,116 S**

(45) **Date of Patent:** **** Oct. 6, 2020**

(54) **ORGANIZER**

(71) Applicant: **InterDesign, Inc.**, Solon, OH (US)

(72) Inventor: **Russell Benton Snell**, Bentleyville, OH (US)

(73) Assignee: **InterDesign, Inc.**, Solon, OH (US)

(**) Term: **15 Years**

(21) Appl. No.: **29/635,457**

(22) Filed: **Feb. 15, 2018**

(51) **LOC (12) Cl.** **19-02**

(52) **U.S. Cl.**
USPC **D19/90**

(58) **Field of Classification Search**
USPC D19/59-64, 86, 90; D10/65; D7/553.3
CPC A47F 5/0043; A47F 5/005; A47F 5/0062;
A47B 63/00; A47B 81/04; A47B 88/40
See application file for complete search history.

(56) **References Cited**

U.S. PATENT DOCUMENTS

807,084	A *	12/1905	Muller	B42F 17/08
					211/11
1,119,925	A *	12/1914	Chatham	B42F 17/00
					40/400
1,764,128	A *	6/1930	Straubel	B42F 17/02
					211/11
D148,076	S *	12/1947	Keesing, Jr.	D19/76
2,537,565	A *	1/1951	Wolters	A47B 65/00
					211/11
3,358,692	A *	12/1967	Proulx	B42F 17/02
					220/529
4,438,852	A *	3/1984	Evans	B42F 17/02
					206/558
4,512,480	A *	4/1985	Evenson	B42F 17/12
					108/60
4,629,067	A *	12/1986	Pavlik	G11B 33/0433
					206/308.3
D299,361	S *	1/1989	Lothe	D19/75

D306,040	S *	2/1990	Evenson	D19/75
D341,376	S *	11/1993	Feer	D19/75
D353,158	S *	12/1994	Evenson	D19/86
D357,939	S *	5/1995	Turmala	D19/86
D388,121	S *	12/1997	Gomez	D19/86
D432,578	S *	10/2000	Stravitz	D19/90
D439,279	S *	3/2001	McColskey	D19/86
D440,809	S *	4/2001	Hunt	D6/629
D478,354	S *	8/2003	Chen	D19/75
D489,096	S *	4/2004	Chen	D19/75
D500,803	S *	1/2005	Stravitz	D19/75

(Continued)

Primary Examiner — Kelley A Donnelly

(74) *Attorney, Agent, or Firm* — Calfee, Halter & Griswold LLP

(57) **CLAIM**

I claim the ornamental design for an organizer, as shown and described.

DESCRIPTION

FIG. 1 is a front/right/top perspective view of an organizer (a front/left/top perspective view would be a mirror image thereof);

FIG. 2 is a rear/left/bottom perspective view thereof (a rear/right/bottom perspective view would be a mirror image thereof);

FIG. 3 is a front elevational view thereof;

FIG. 4 is a rear elevational view thereof;

FIG. 5 is a right side elevational view thereof;

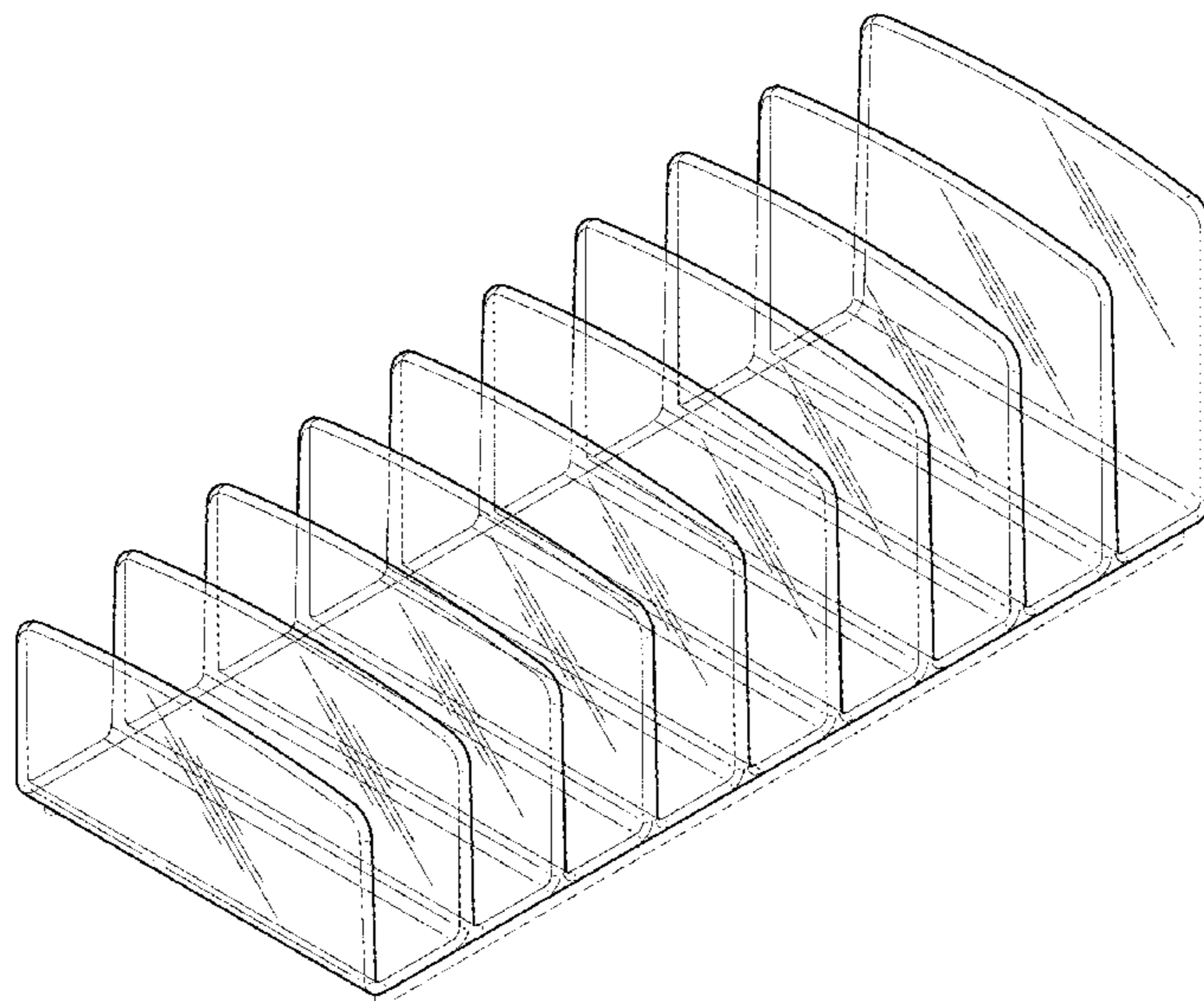
FIG. 6 is a left side elevational view thereof;

FIG. 7 is a top plan view thereof; and,

FIG. 8 is a bottom plan view thereof.

The broken lines shown along a perimeter of the bottom of the organizer represent bounds of the claimed design. All other broken lines are directed to portions (e.g., bottom feet/rails) of the invention that form no part of the claimed design.

1 Claim, 5 Drawing Sheets



(56)

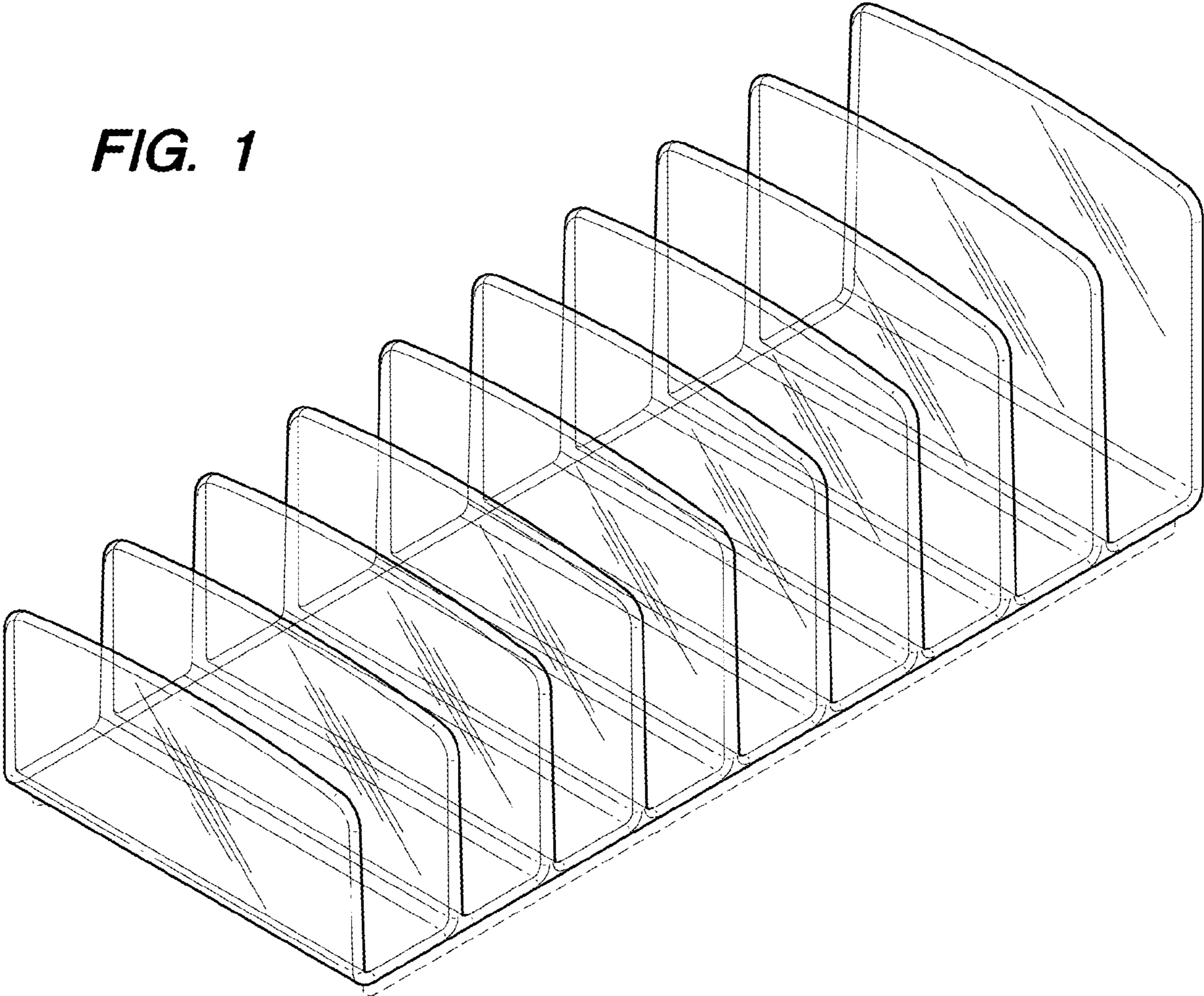
References Cited

U.S. PATENT DOCUMENTS

D502,741 S	*	3/2005	Bain	D19/86
D665,451 S	*	8/2012	Dambri-court	D19/90
D678,947 S	*	3/2013	Stravitz	D19/78
D816,378 S	*	5/2018	Ernst	D6/683.1
D865,867 S	*	11/2019	Muri	D19/62

* cited by examiner

FIG. 1



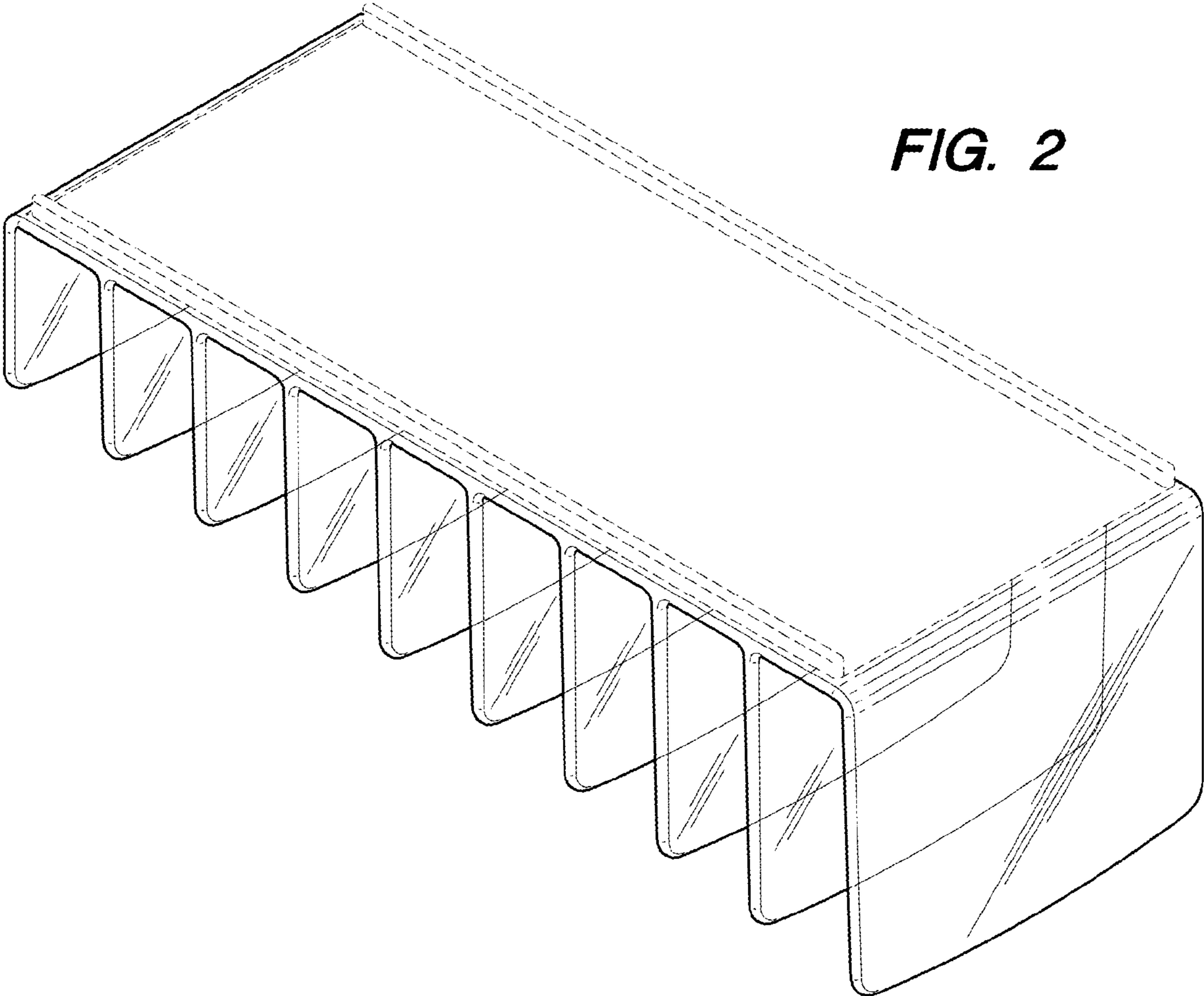


FIG. 2

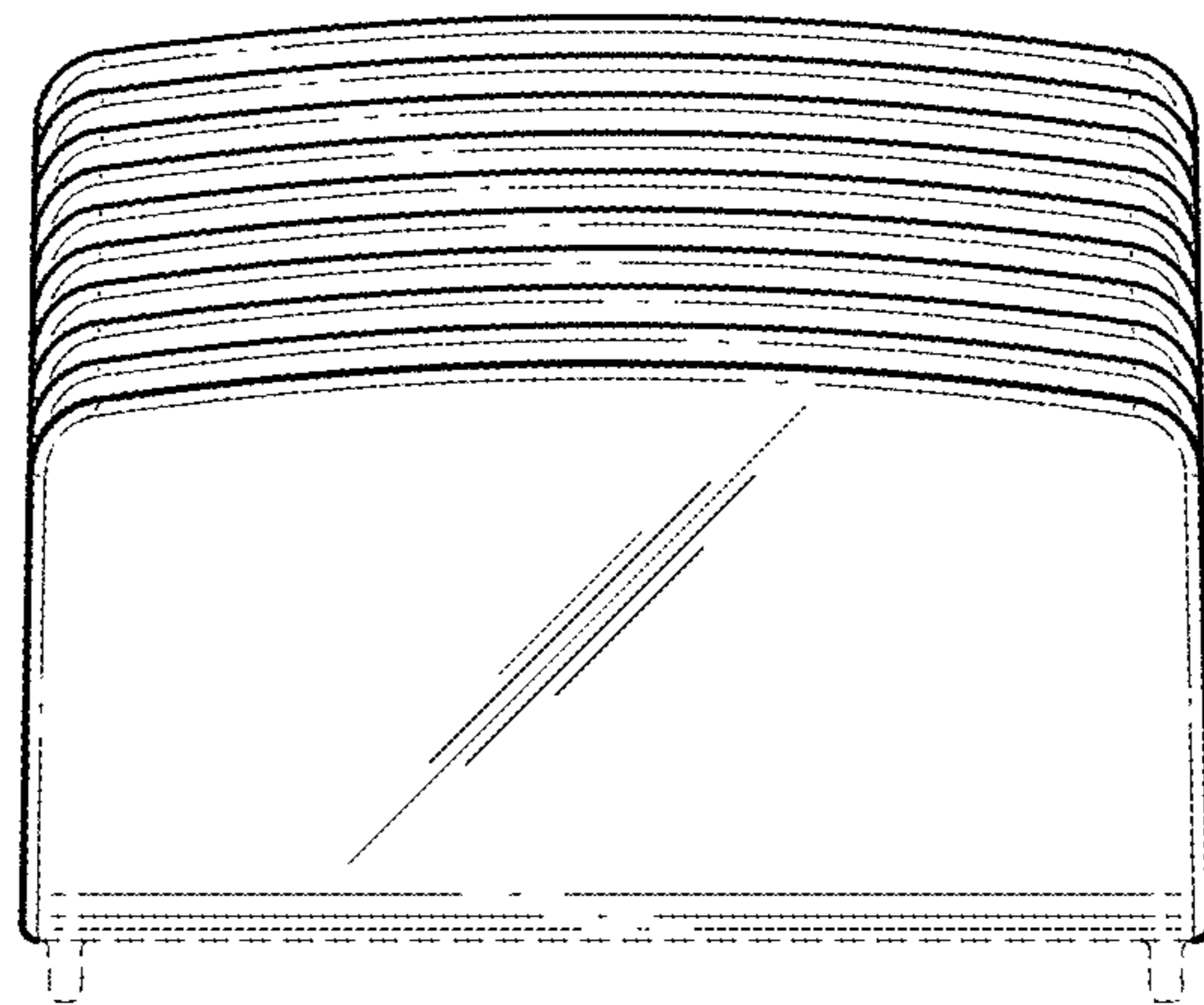


FIG. 3

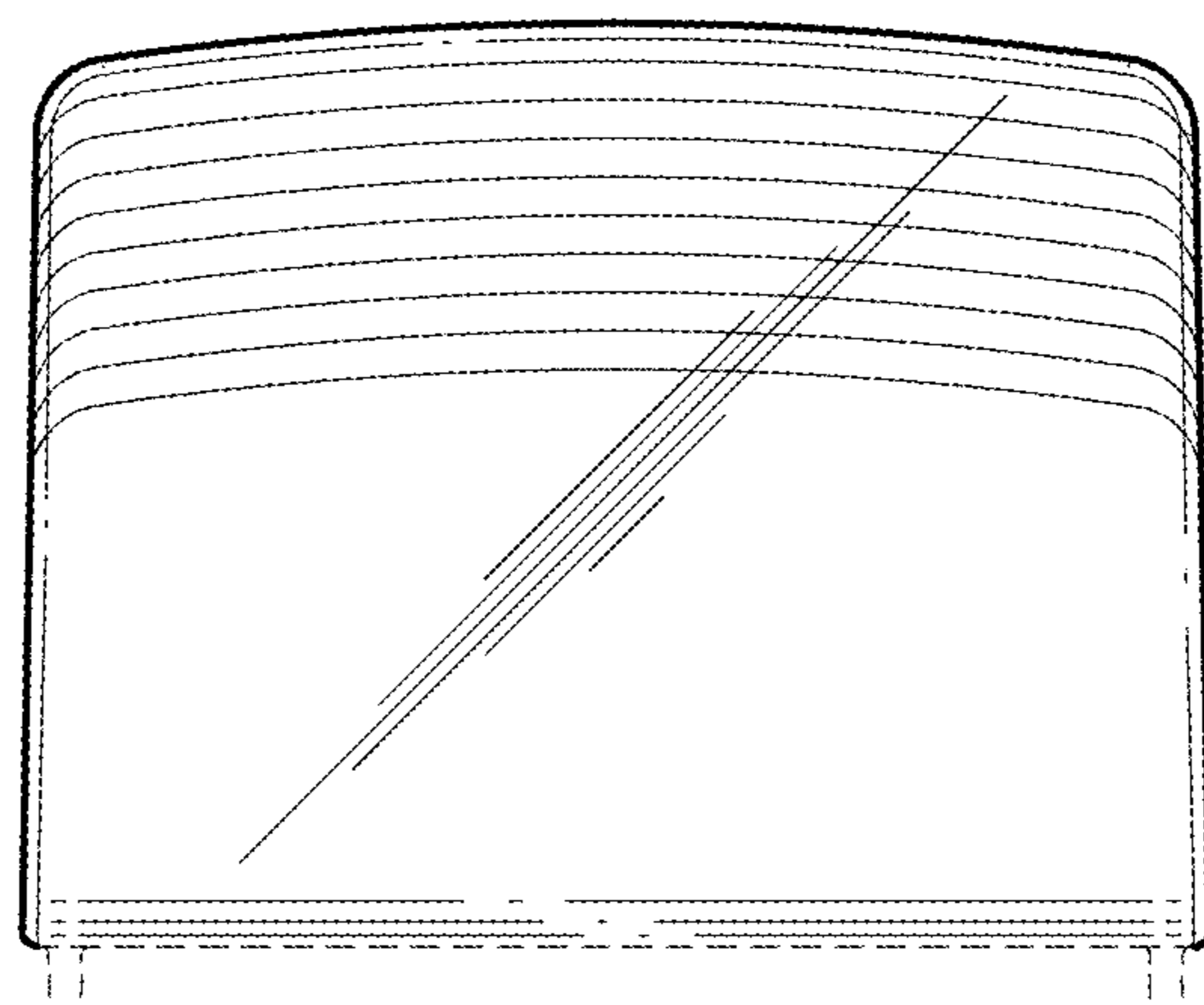


FIG. 4

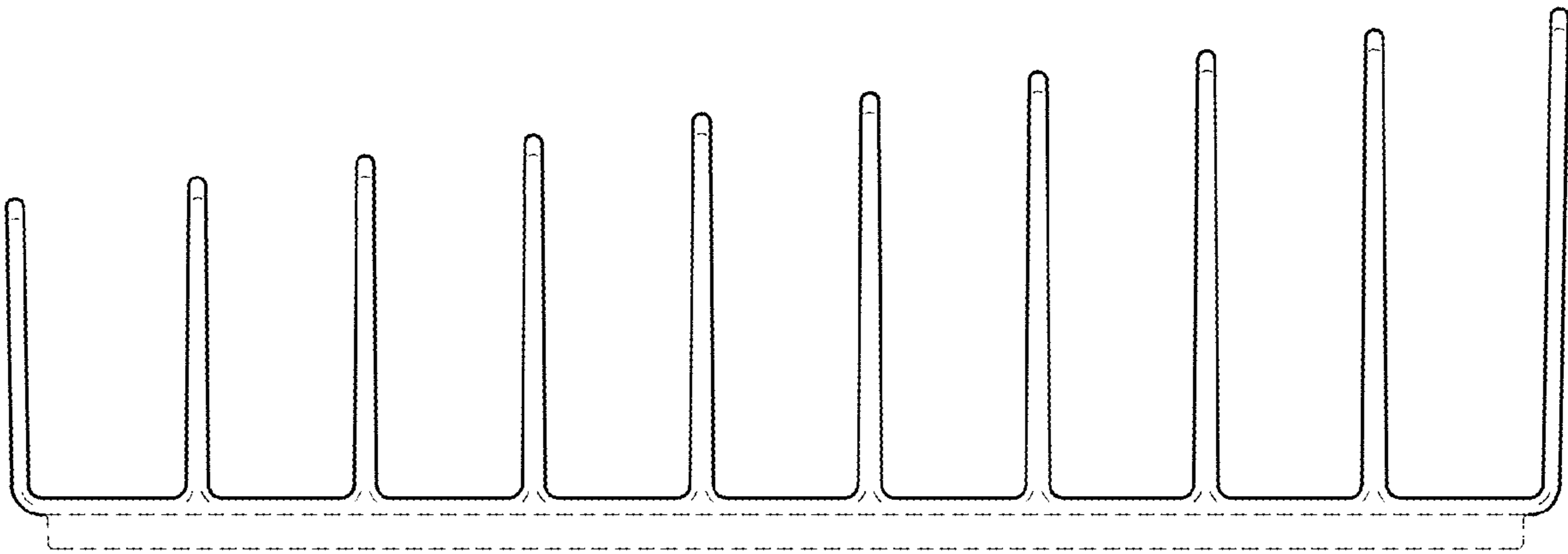


FIG. 5

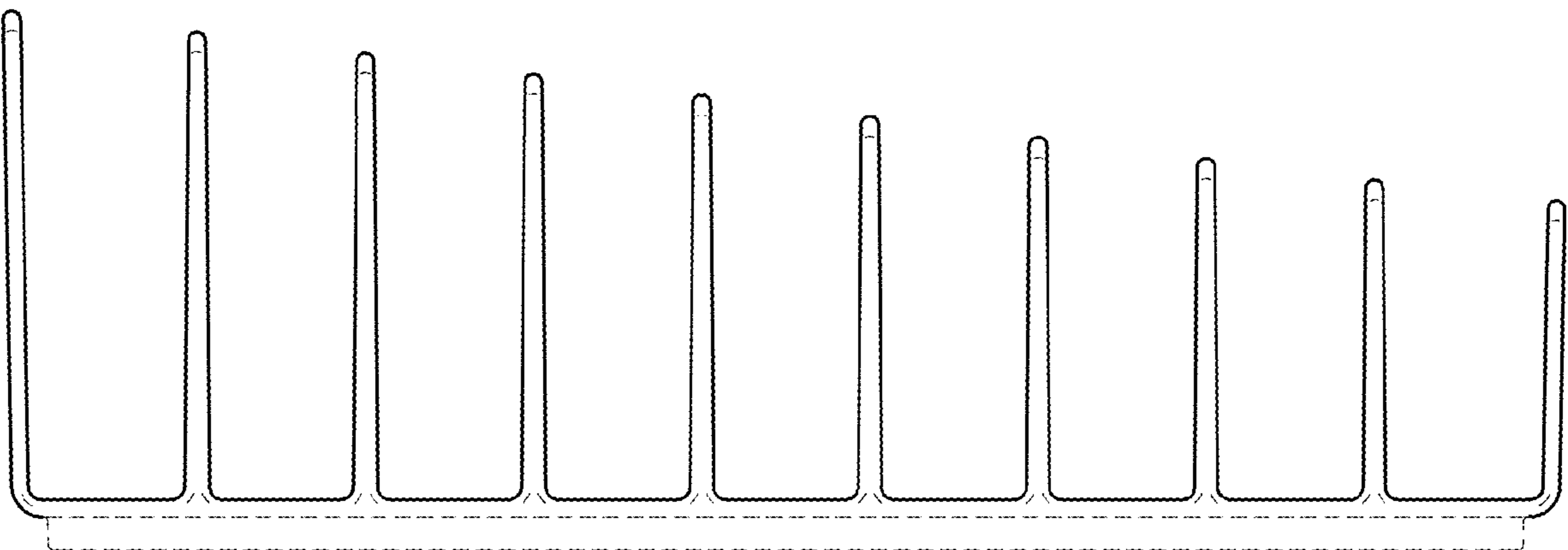


FIG. 6

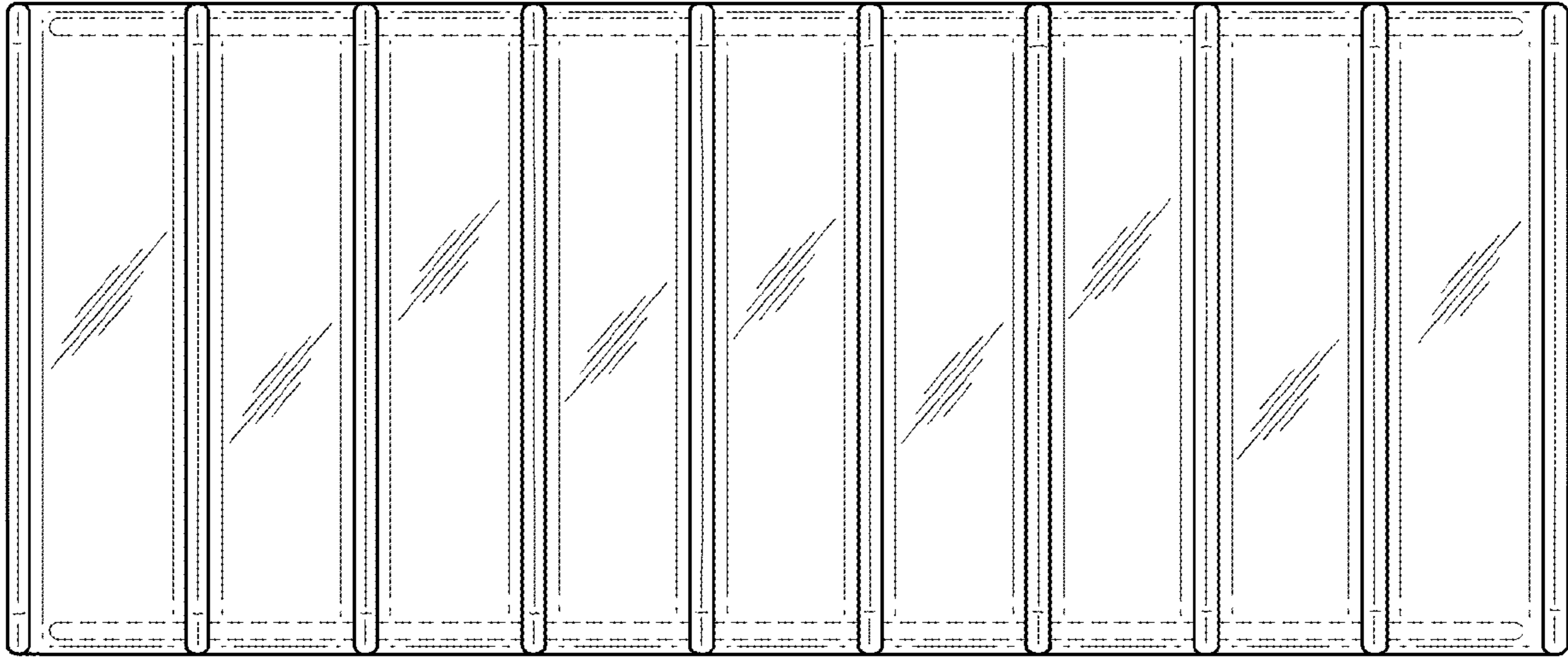


FIG. 7

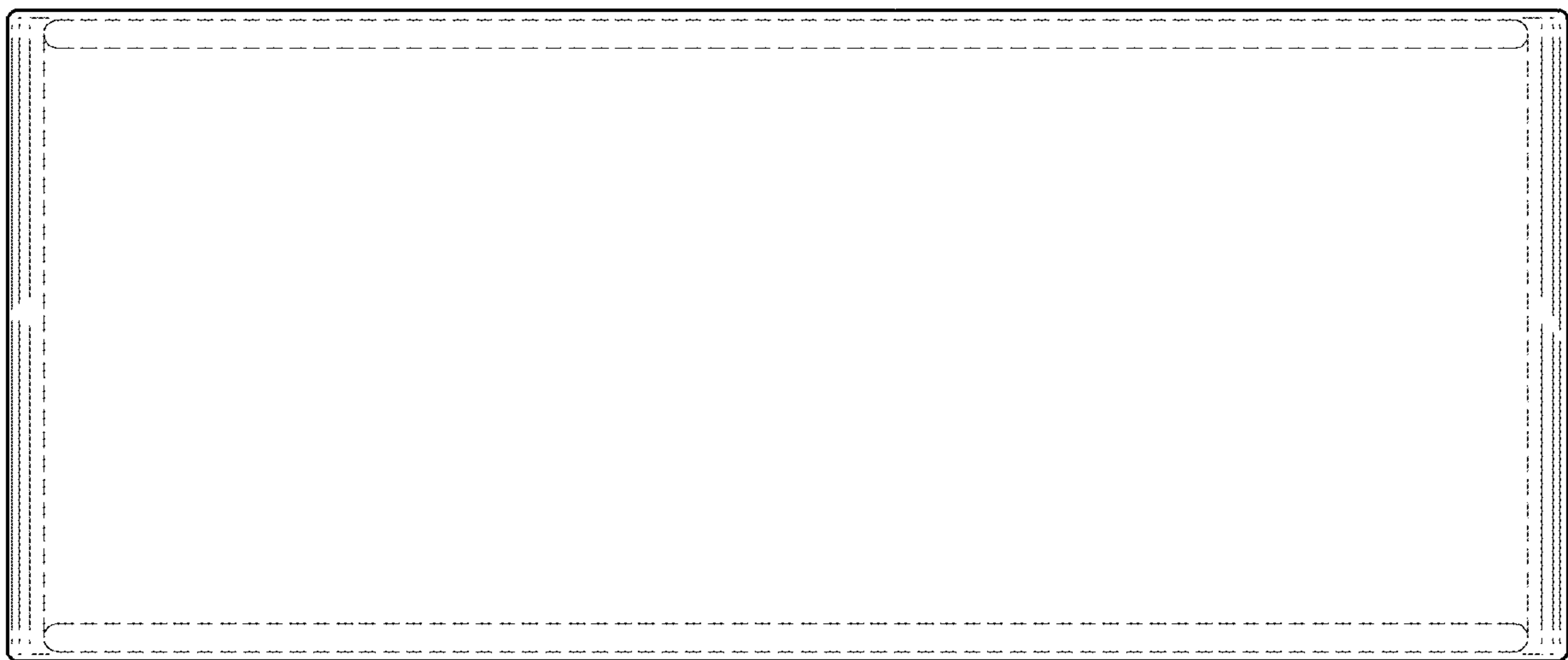


FIG. 8