



US00D898115S

(12) **United States Design Patent**
Talerico

(10) **Patent No.:** **US D898,115 S**

(45) **Date of Patent:** **** Oct. 6, 2020**

(54) **MAILING POUCH**

D843,112 S * 3/2019 Murray D3/313
D843,225 S * 3/2019 Kilduff D9/709
D860,809 S * 9/2019 Kilduff D9/709

(71) Applicant: **American Sales Industries, LLC**,
Riviera Beach, FL (US)

* cited by examiner

(72) Inventor: **Pasquale J. Talerico**, Riviera Beach,
FL (US)

Primary Examiner — Abraham Bahta

(73) Assignee: **American Sales Industries, LLC**,
Riviera Beach, FL (US)

(74) *Attorney, Agent, or Firm* — McHale & Slavin, P.A.

(**) Term: **15 Years**

(57) **CLAIM**

(21) Appl. No.: **29/721,022**

The ornamental design for a mailing pouch, as shown and described.

(22) Filed: **Jan. 17, 2020**

(51) **LOC (12) Cl.** **19-01**

(52) **U.S. Cl.**
USPC **D19/3**

DESCRIPTION

(58) **Field of Classification Search**
USPC D19/3, 75, 77-78, 86-92; D3/313, 901;
D6/553, 566, 560, 570, 300, 301, 302;
D7/590, 601, 640-641; D28/73; 283/72,
283/74-75, 103, 105-106, 116-117
CPC A47B 63/00; B42D 5/005; B42D 5/006;
B42D 5/007; B43M 99/00; B43M 99/001;
B43M 99/006; B43M 99/07; B43M
99/08; B43M 99/009
See application file for complete search history.

FIG. 1 is a perspective view of the mailing pouch showing my new design;
FIG. 2 is a front view thereof;
FIG. 3 is a rear view thereof;
FIG. 4 is a right side view thereof;
FIG. 5 is a left side view thereof;
FIG. 6 is a bottom view thereof;
FIG. 7 is a top view thereof; and,
FIG. 8 is a rear perspective view thereof.

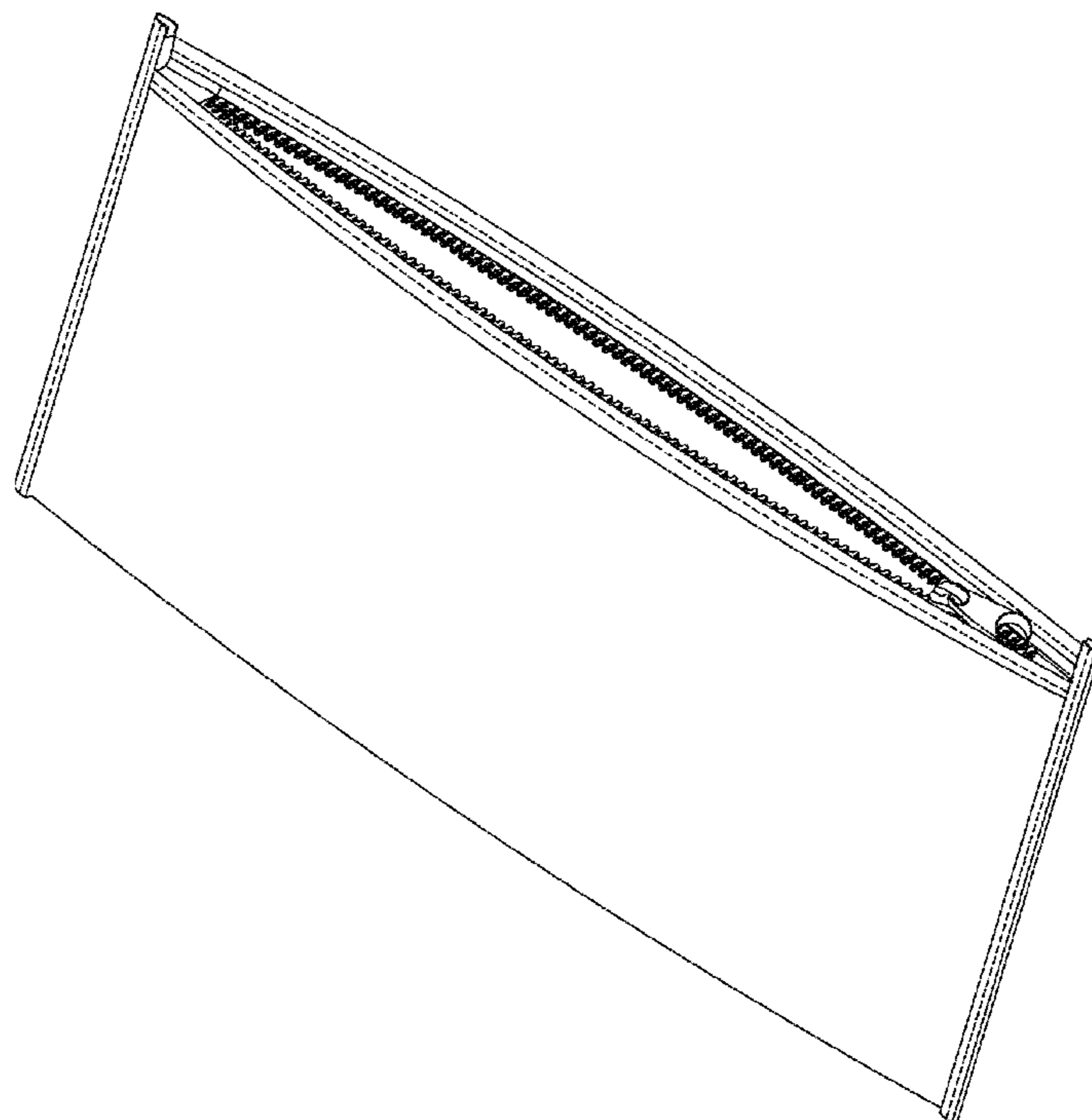
(56) **References Cited**

U.S. PATENT DOCUMENTS

The broken line showing of portions of the mailing pouch is included for the purpose of illustrating environment structure and forms no part of the claimed design.

4,934,587 A * 6/1990 McNabb G06K 19/04
229/68.1
D703,547 S * 4/2014 France D9/703

1 Claim, 7 Drawing Sheets



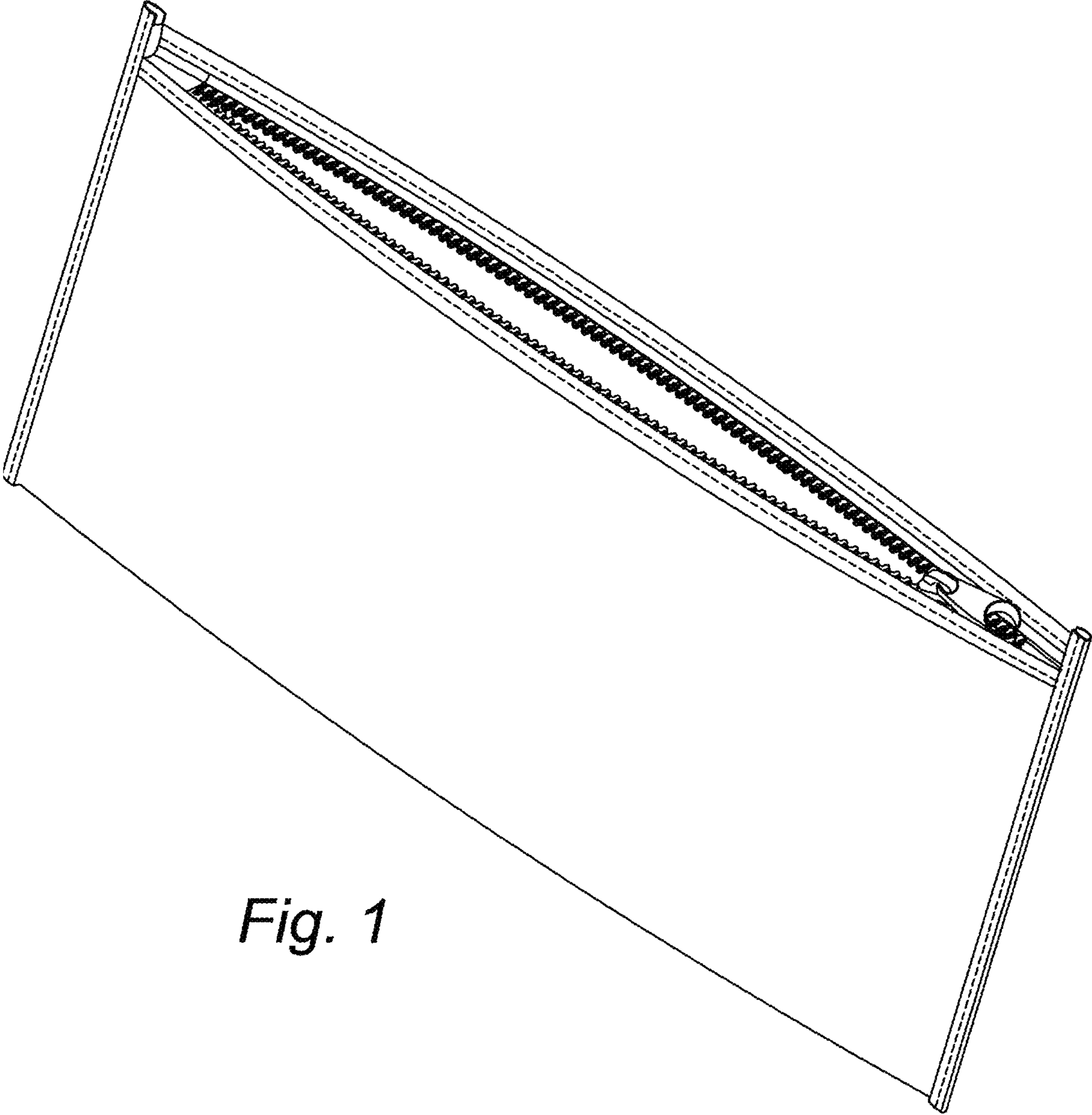


Fig. 1

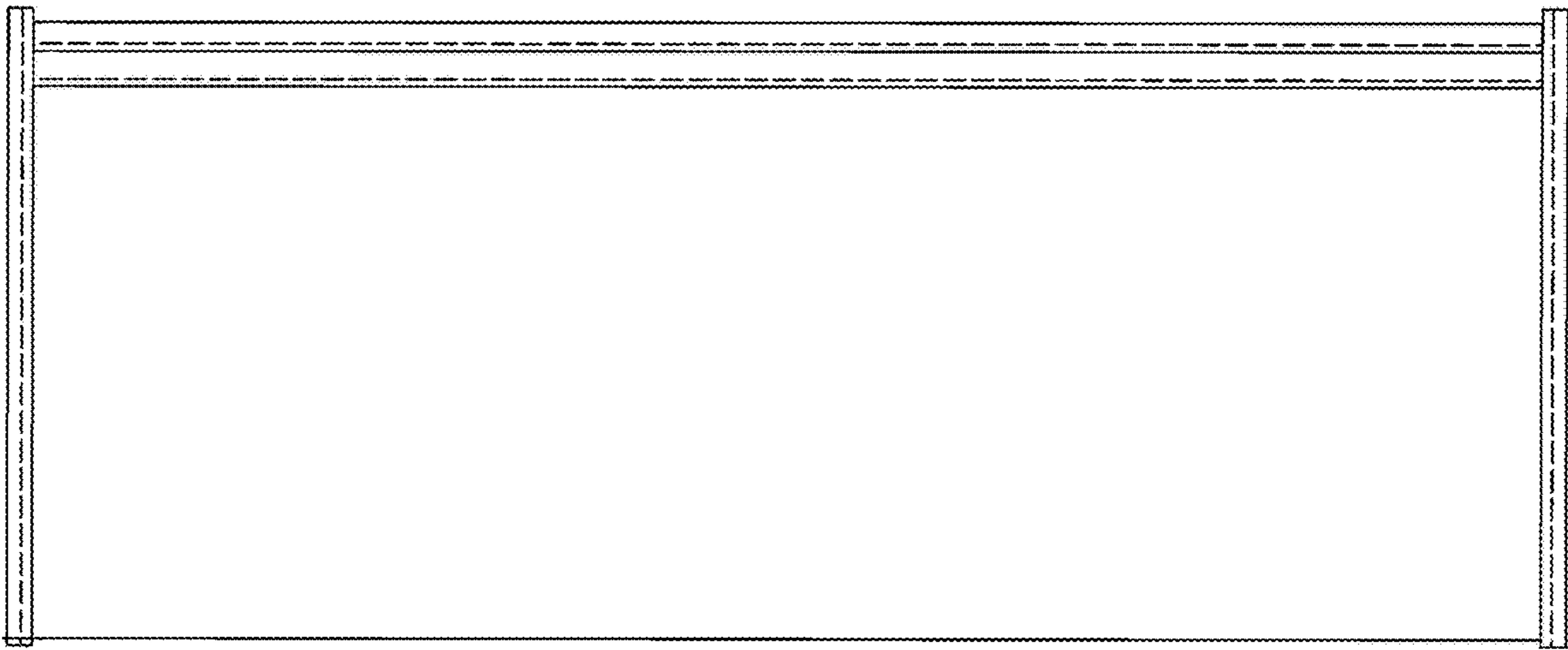


Fig. 2

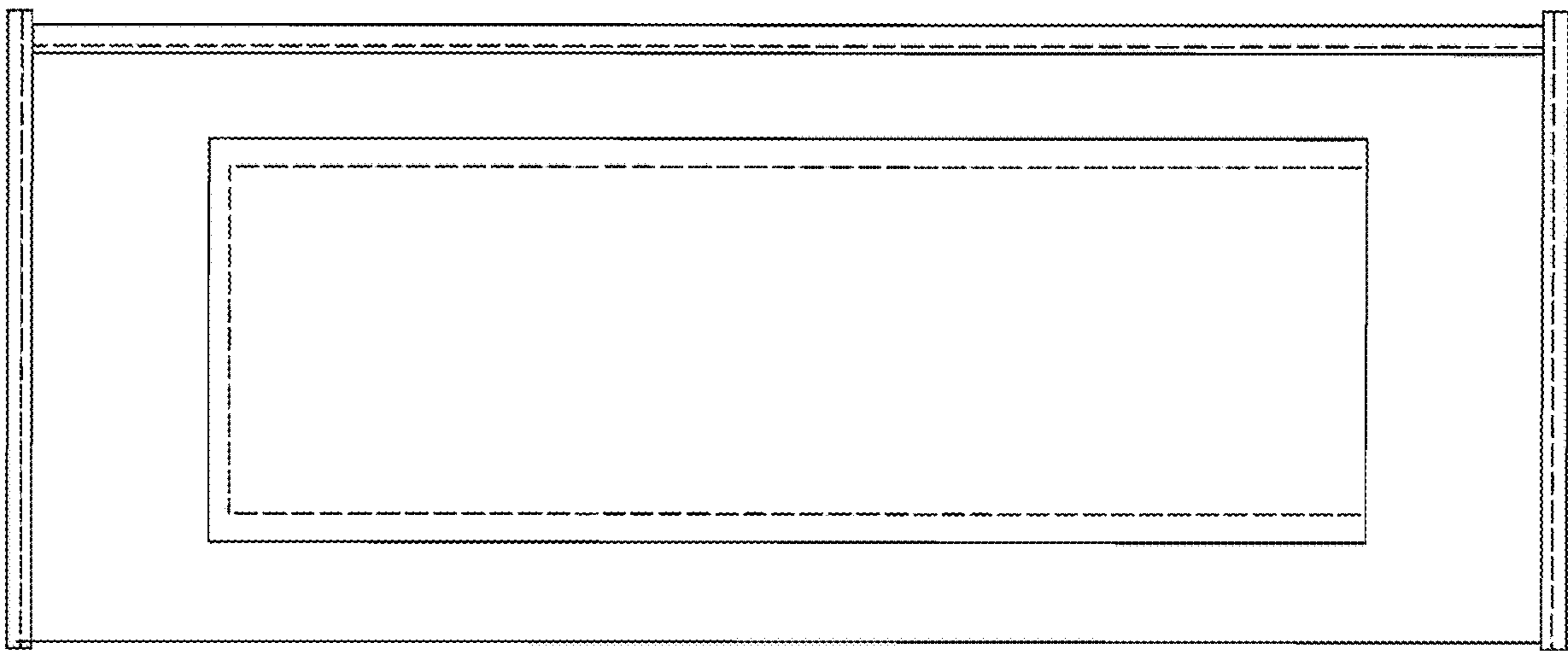


Fig. 3



Fig. 4



Fig. 5

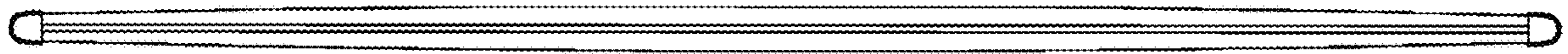


Fig. 6

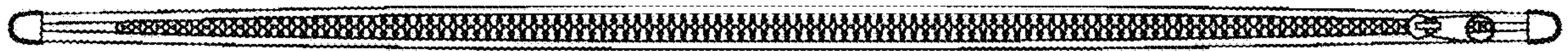


Fig. 7

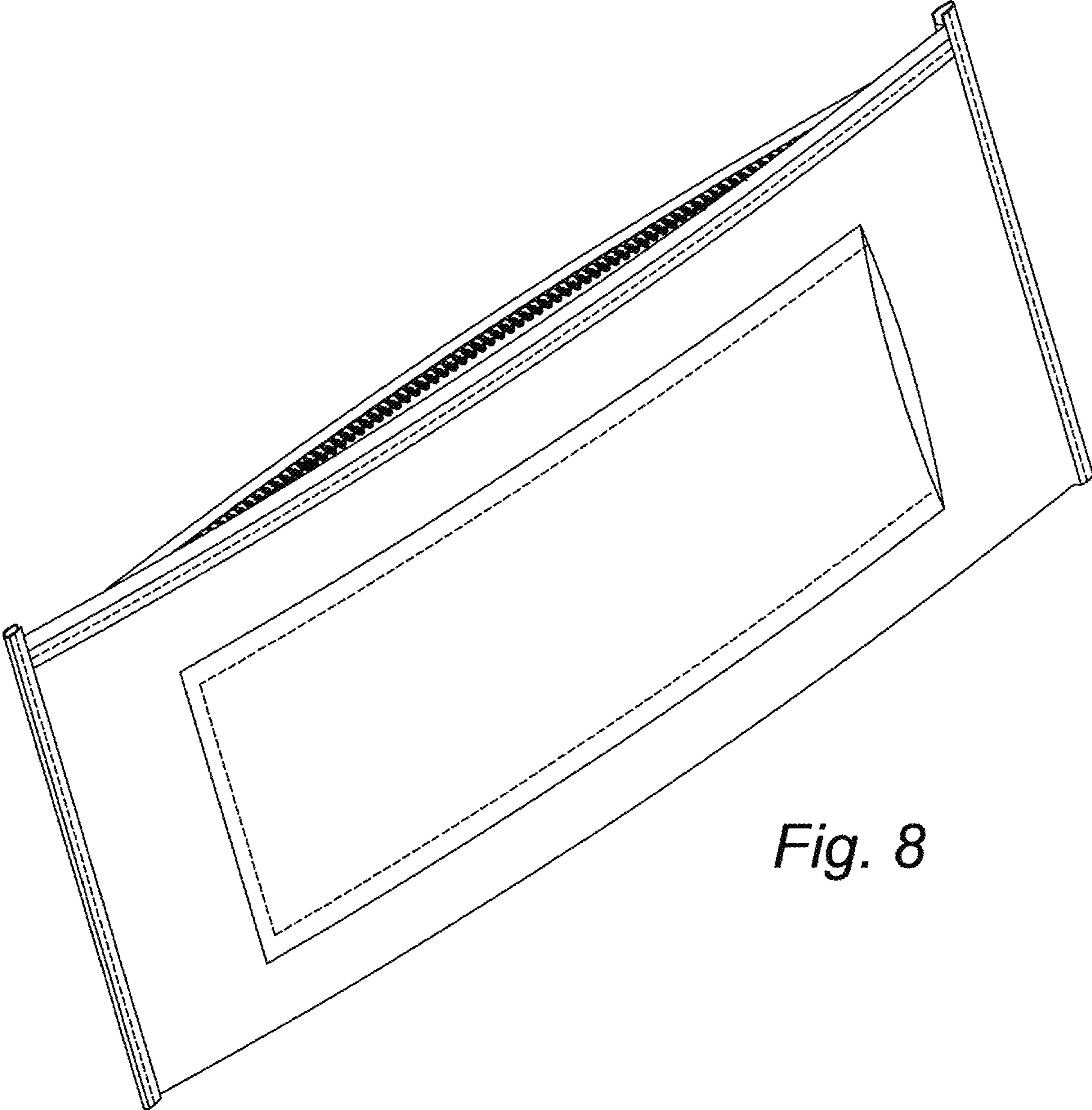


Fig. 8