



US00D898109S

(12) **United States Design Patent** (10) **Patent No.:** **US D898,109 S**
Tian (45) **Date of Patent:** **** Oct. 6, 2020**

(54) **SWIMMING GOGGLES**
(71) Applicant: **HuNan Mystyle Sport Co., Ltd,**
Lanshan County (CN)
(72) Inventor: **Xiangyang Tian,** Lanshan County (CN)
(**) Term: **15 Years**
(21) Appl. No.: **29/710,523**
(22) Filed: **Oct. 24, 2019**

D523,060 S * 6/2006 Chiang D16/303
D524,842 S * 7/2006 Chiang D16/303
D535,680 S * 1/2007 Chuang D16/311
D536,019 S * 1/2007 Chiang D16/311
D536,020 S * 1/2007 Chiang D16/311
7,185,373 B2 * 3/2007 Chiang A63B 33/002
2/445
D547,787 S * 7/2007 Lee D16/311
D547,788 S * 7/2007 Cheng D16/311
7,251,842 B1 * 8/2007 Chiang A63B 33/002
2/445
D552,661 S * 10/2007 Chiang D16/311
D565,084 S * 3/2008 Chen D16/315
(Continued)

(30) **Foreign Application Priority Data**
Oct. 23, 2019 (EM) 007081625
(51) **LOC (12) Cl.** **16-06**
(52) **U.S. Cl.**
USPC **D16/311**
(58) **Field of Classification Search**
USPC D16/101, 300-342; D29/109-110
CPC . A63B 33/00; A63B 33/002; A63B 2033/004;
A63B 2033/006; A63B 2033/008; B63C
11/12; A61F 9/00; A61F 9/02
See application file for complete search history.

FOREIGN PATENT DOCUMENTS

CA 2471973 A1 * 12/2005 A63B 33/002
CA 2475157 A1 * 1/2006 A63B 33/002
(Continued)

Primary Examiner — Sanjeev Paul
(74) *Attorney, Agent, or Firm* — Jie Yang; ZANIP

(57) **CLAIM**

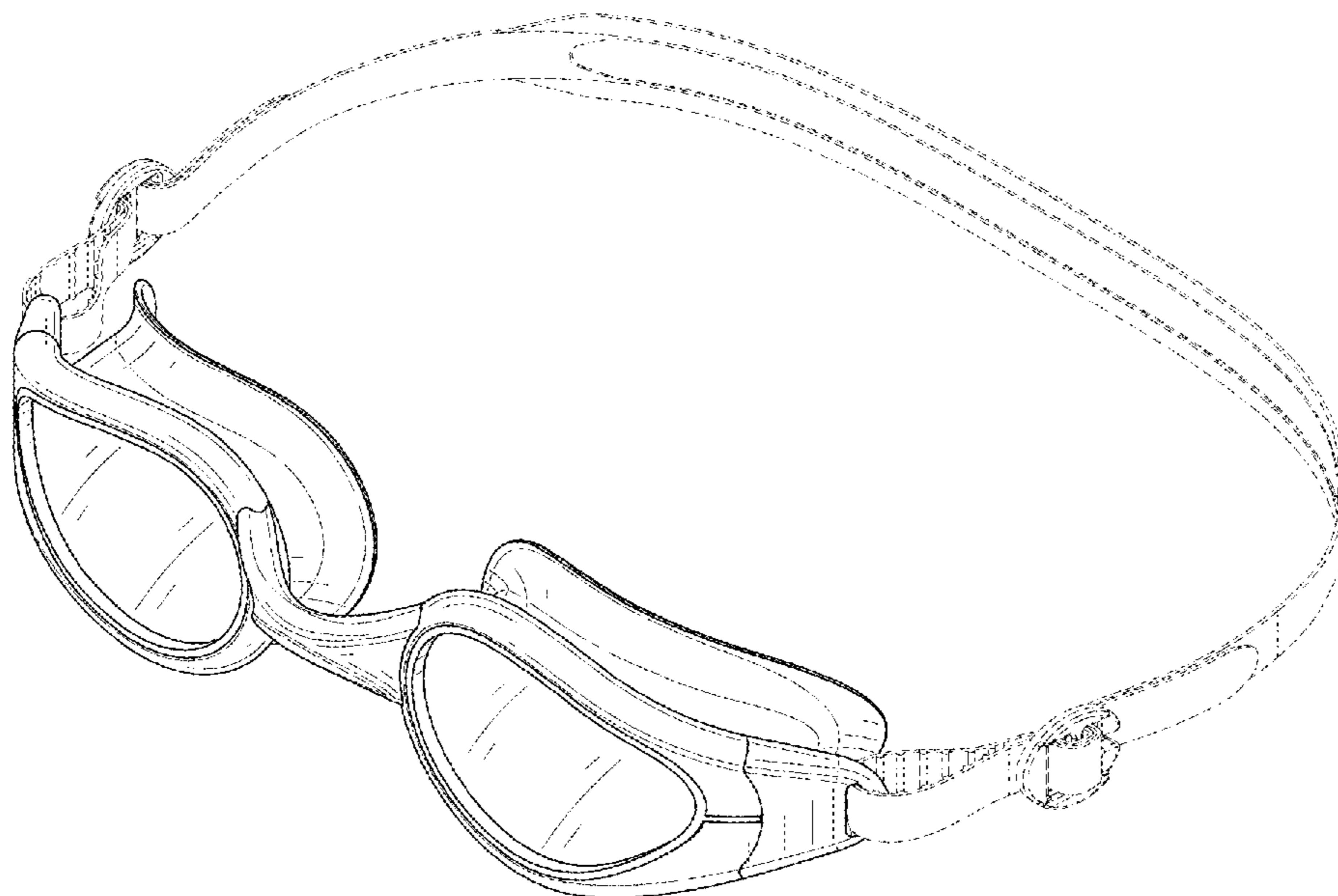
The ornamental design for swimming goggles, as shown and described.

DESCRIPTION

FIG. 1 is a front perspective view of swimming goggles, showing my new design;
FIG. 2 is a rear perspective view thereof;
FIG. 3 is a front elevational view thereof;
FIG. 4 is a rear elevational view thereof;
FIG. 5 is a right side elevational view thereof;
FIG. 6 is a left side elevational view thereof;
FIG. 7 is a top plan view thereof; and,
FIG. 8 is a bottom plan view thereof.
The broken lines in the figures illustrate portions of the swimming goggles that form no part of the claimed design.

1 Claim, 8 Drawing Sheets

(56) **References Cited**
U.S. PATENT DOCUMENTS
1,853,873 A * 4/1932 Meyrowitz A61F 9/02
2/445
1,916,628 A * 7/1933 Meyrowitz A61F 9/02
2/443
D400,555 S * 11/1998 Wang D16/312
6,748,608 B1 * 6/2004 Fukazawa A63B 33/002
2/428
D502,489 S * 3/2005 Chiang D16/311
D502,491 S * 3/2005 Chiang D16/311
D502,492 S * 3/2005 Chiang D16/311
D504,145 S * 4/2005 Tominaga D16/311
D523,059 S * 6/2006 Chiang D16/303



(56)

References Cited

U.S. PATENT DOCUMENTS

D569,410 S * 5/2008 Chiang D16/303
D581,965 S * 12/2008 Shiue D16/303
D585,472 S * 1/2009 Chiang D16/303
D585,473 S * 1/2009 Chiang D16/311
D589,077 S * 3/2009 Chiang D16/303
D601,610 S * 10/2009 Chiang D16/303
D613,786 S * 4/2010 Chiang D16/303
D613,787 S * 4/2010 Chiang D16/303
D648,371 S * 11/2011 Chiang D16/303
D665,443 S 8/2012 Kitamura et al.
D668,286 S * 10/2012 Chiang D16/311
D677,311 S * 3/2013 Markovitz D16/315
D677,312 S * 3/2013 Markovitz D16/315
D681,093 S * 4/2013 Slosar D16/315
D681,094 S * 4/2013 Markovitz D16/315
D686,652 S * 7/2013 Chiang D16/303
D696,337 S * 12/2013 Chiang D16/303
D703,728 S * 4/2014 Donovan D16/303
D704,764 S * 5/2014 Markovitz D16/315
D717,858 S * 11/2014 Chiang D16/303
D717,860 S * 11/2014 Chiang D16/303
D717,861 S * 11/2014 Chiang D16/303
D717,862 S * 11/2014 Chiang D16/303
D717,863 S * 11/2014 Chiang D16/303
D745,081 S * 12/2015 Ooba D16/303
D745,082 S * 12/2015 Ooba D16/311
D825,644 S * 8/2018 Harpages D16/311
D839,950 S * 2/2019 Chiang D16/311
D839,952 S * 2/2019 Chiang D16/311
D841,079 S * 2/2019 Harpages D16/311
D873,329 S * 1/2020 Berenson D16/312
2005/0120468 A1 * 6/2005 Kawashima A61F 9/026
2/444
2005/0273915 A1 * 12/2005 Chiang A63B 33/002
2/428
2006/0015990 A1 * 1/2006 Chiang A63B 33/002
2/426
2008/0111966 A1 * 5/2008 Chiang A63B 33/002
351/43
2008/0172777 A1 * 7/2008 Chiang A63B 33/002
2/428

2009/0064399 A1 * 3/2009 Chou A63B 33/002
2/442
2009/0165192 A1 * 7/2009 Chiang A63B 33/002
2/445
2009/0229086 A1 * 9/2009 Chiang A63B 33/002
24/170
2009/0276942 A1 * 11/2009 Chiang A63B 33/002
2/452
2009/0300828 A1 * 12/2009 Chiang A63B 33/002
2/428
2010/0175174 A1 * 7/2010 Chou A63B 33/002
2/446
2011/0258761 A1 * 10/2011 Chou A63B 33/002
2/445
2011/0302702 A1 * 12/2011 Chiang A63B 33/002
2/442
2012/0096632 A1 * 4/2012 Chou A63B 33/002
2/452
2012/0222202 A1 * 9/2012 Chiang A63B 33/002
2/452
2012/0246810 A1 * 10/2012 Chiang A63B 33/002
2/428
2013/0239306 A1 * 9/2013 Chiang A63B 33/00
2/442
2013/0269088 A1 * 10/2013 Chiang A63B 33/002
2/431
2013/0283509 A1 * 10/2013 Chiang A63B 33/002
2/442
2014/0283288 A1 * 9/2014 Chiang A63B 33/002
2/431
2014/0331395 A1 * 11/2014 Chiang A63B 33/002
2/442
2016/0361010 A1 * 12/2016 Graham A61B 5/486
2018/0318649 A1 * 11/2018 Godoy A63B 33/002
2019/0054349 A1 * 2/2019 Chiang A63B 33/002
2019/0070464 A1 * 3/2019 Chiang A63B 33/002
2019/0381361 A1 * 12/2019 Yeomans G06T 17/00

FOREIGN PATENT DOCUMENTS

CA 2635156 A1 * 12/2009 A63B 33/002
EM 003827997-0001 * 4/2017
EM 007081625-0001 * 10/2019

* cited by examiner

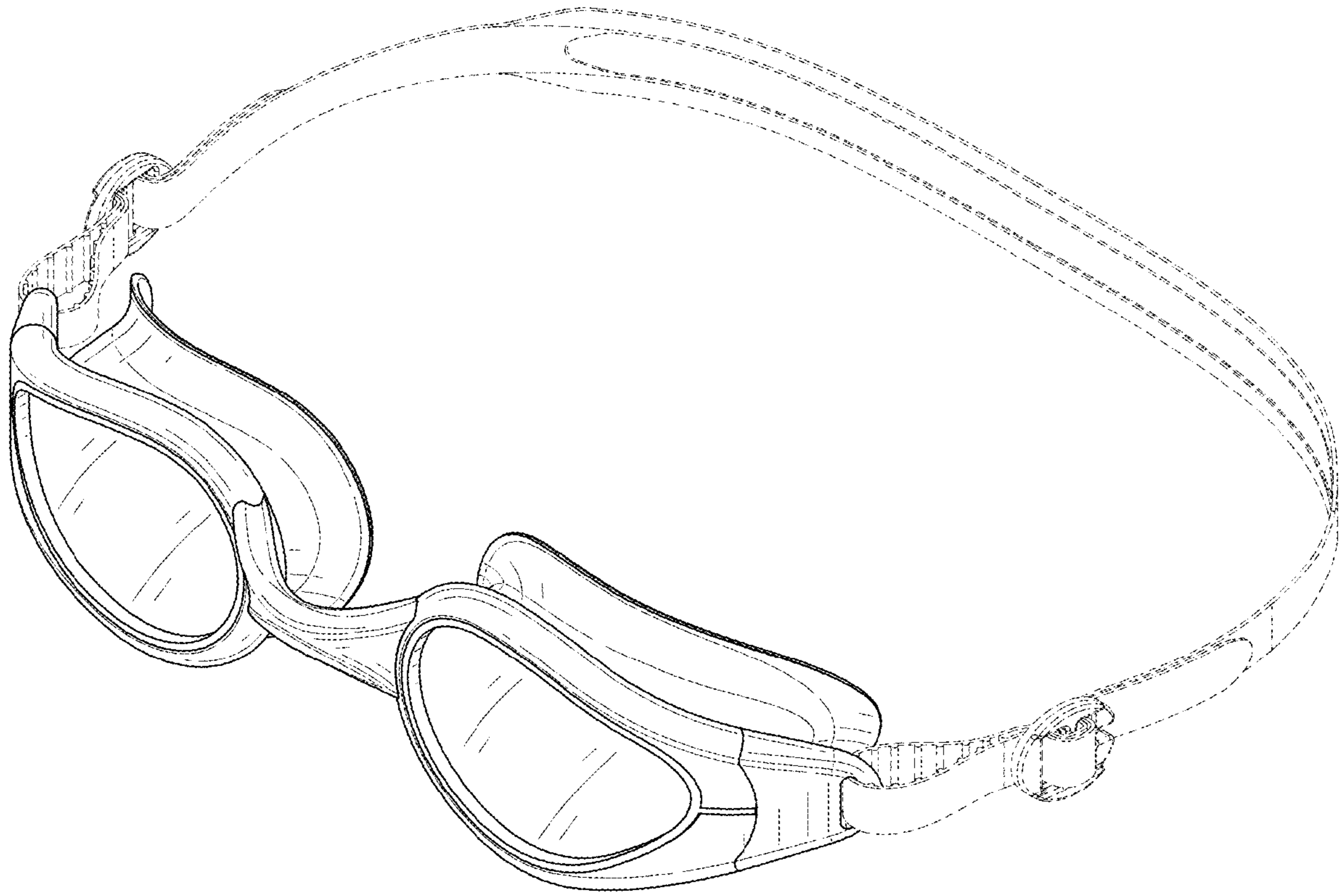


FIG. 1

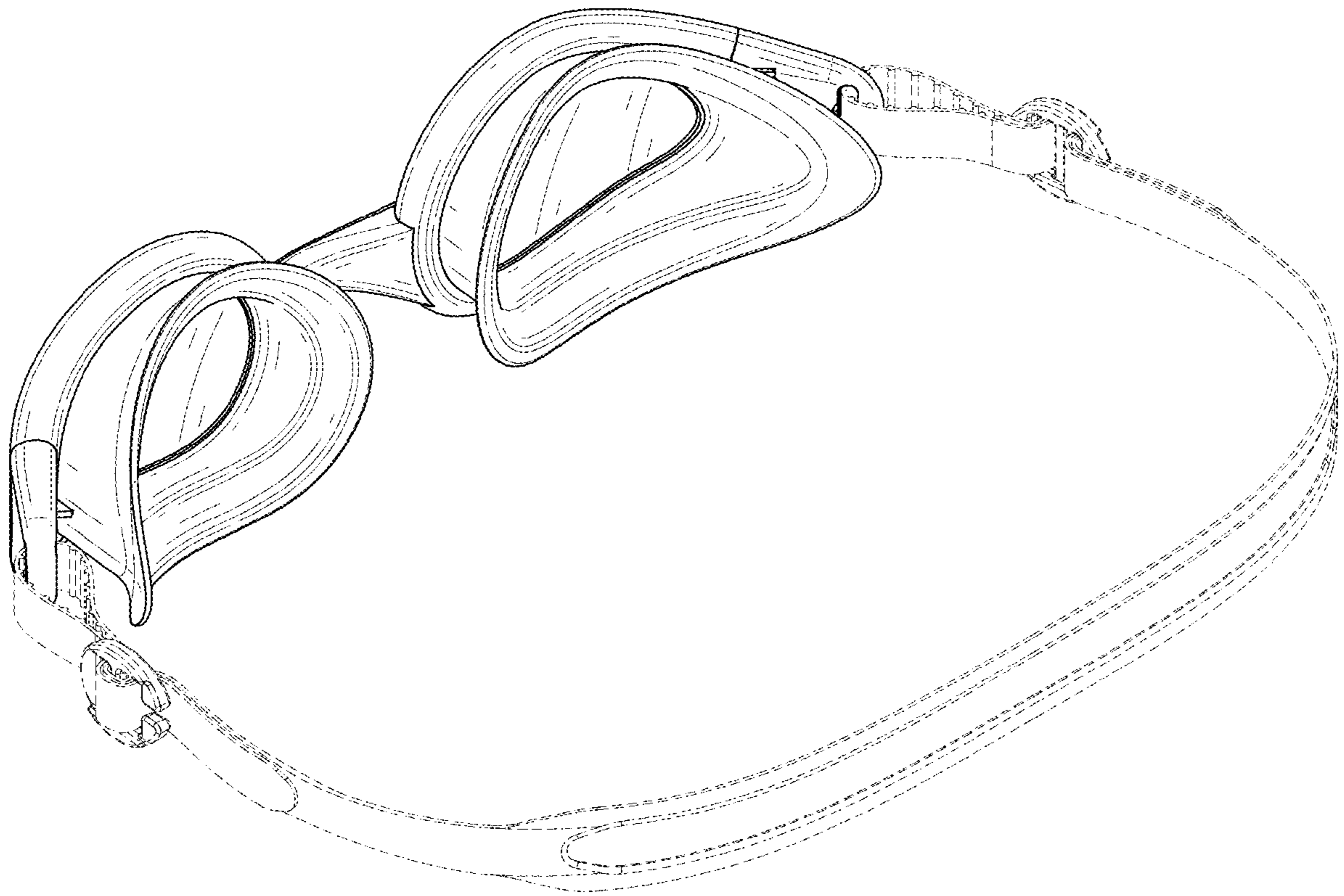


FIG. 2

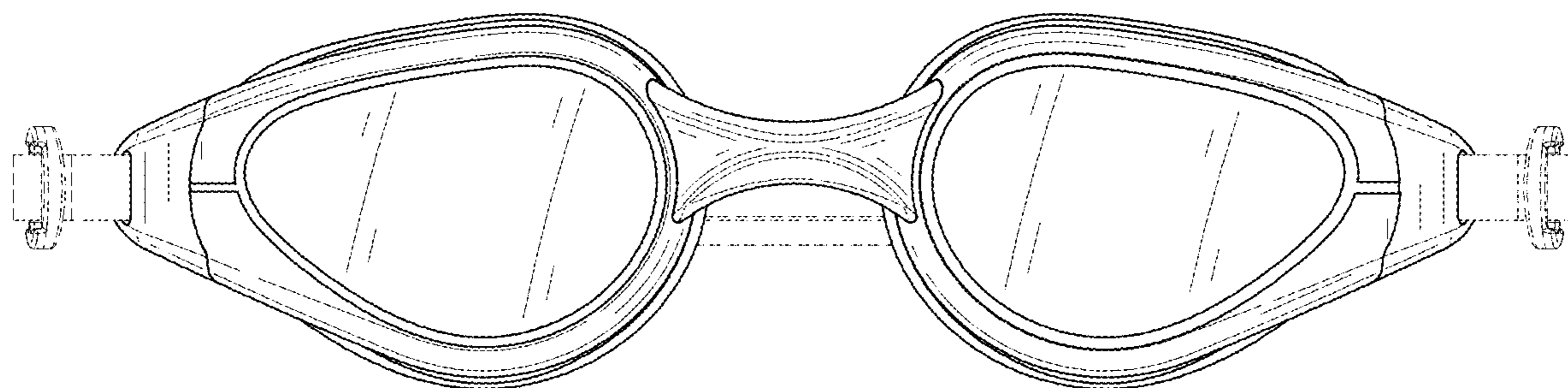


FIG. 3

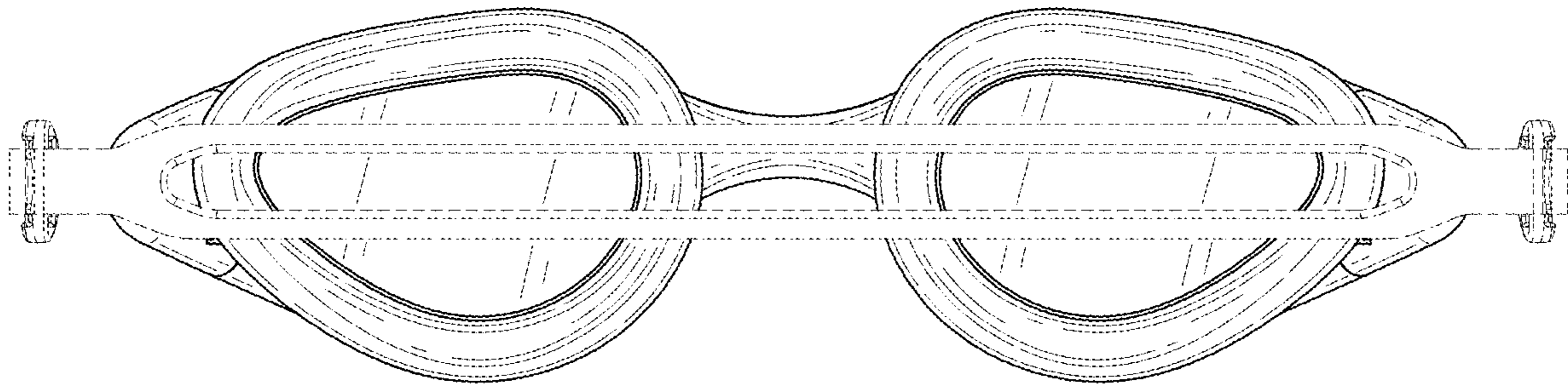


FIG. 4

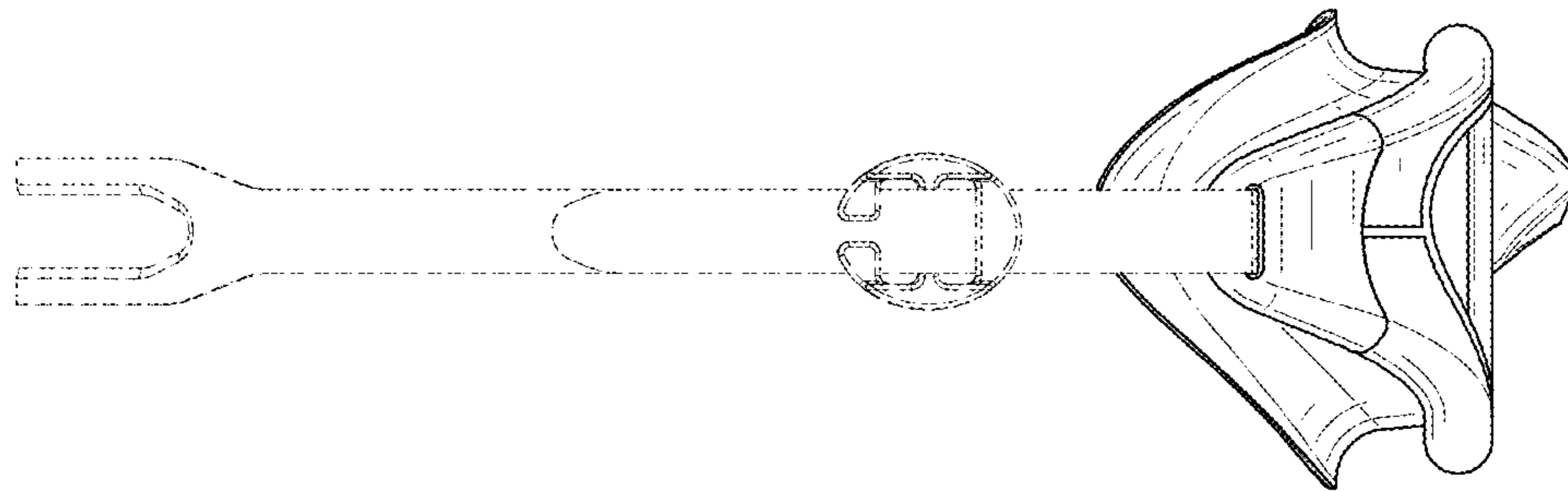


FIG. 5

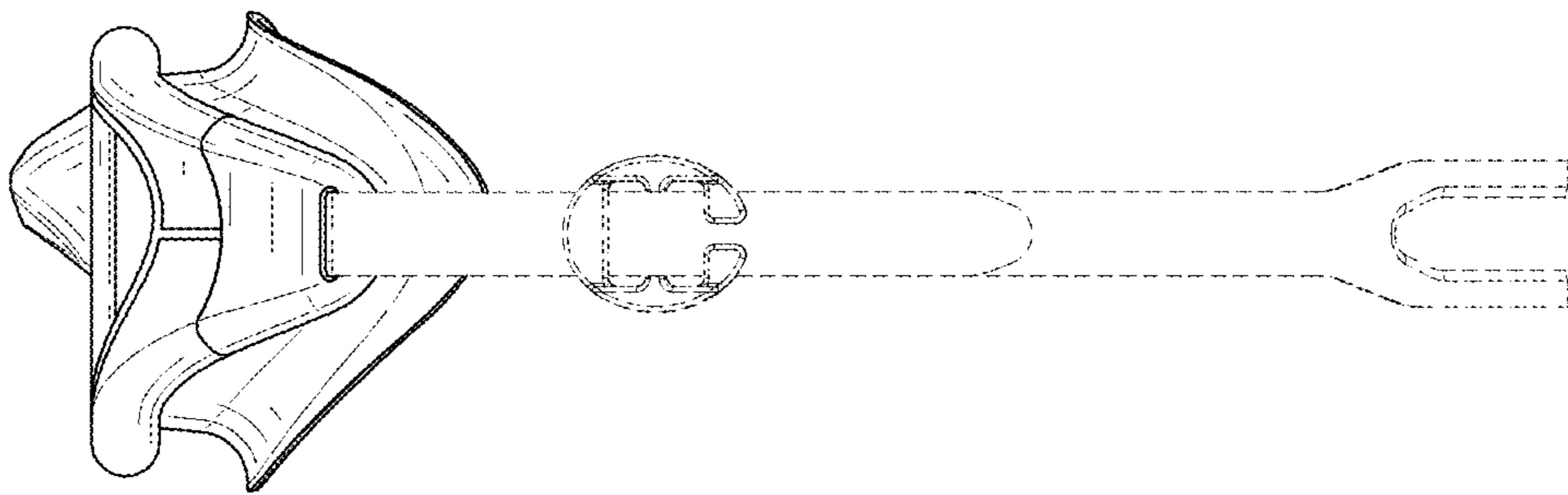


FIG. 6

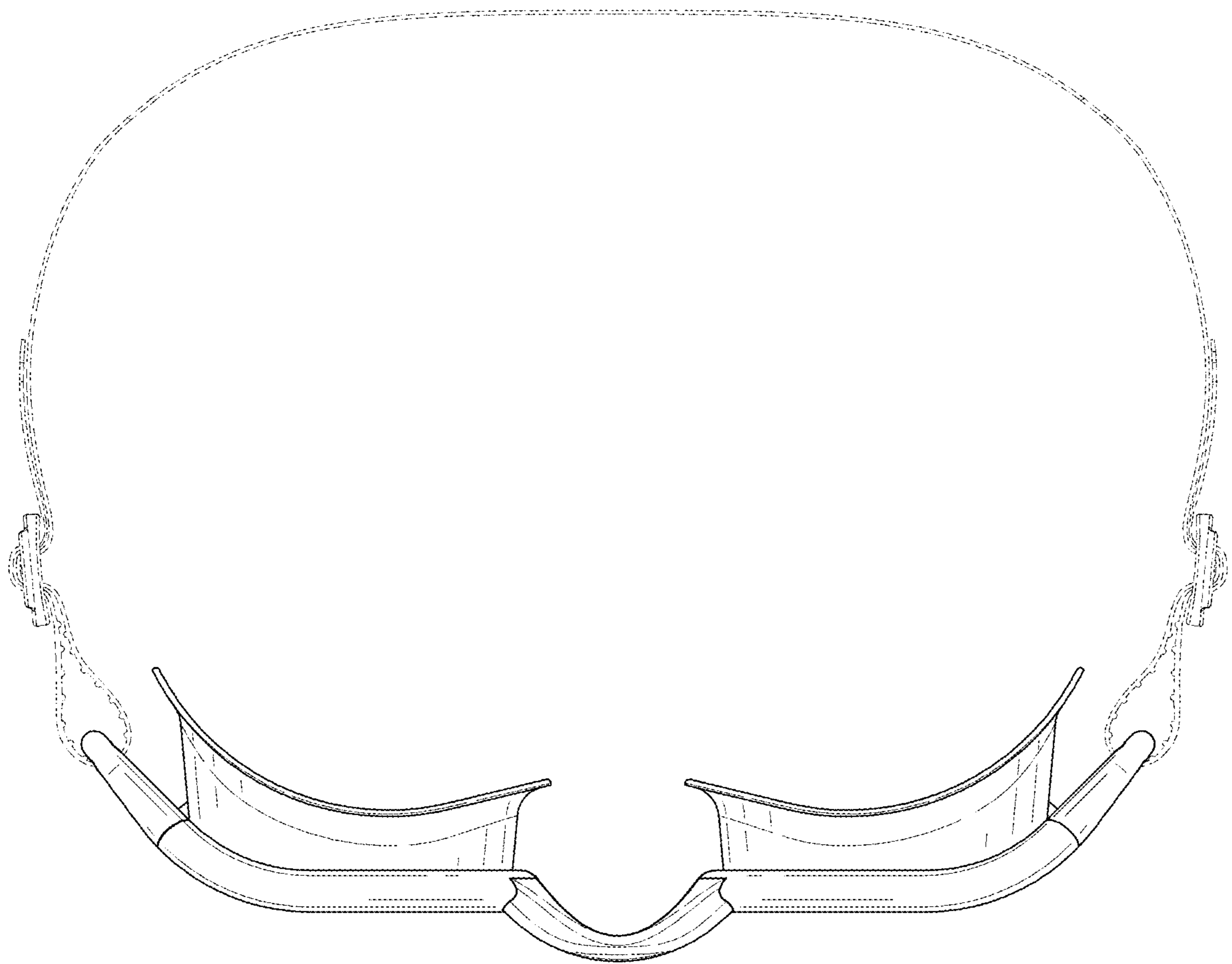


FIG. 7

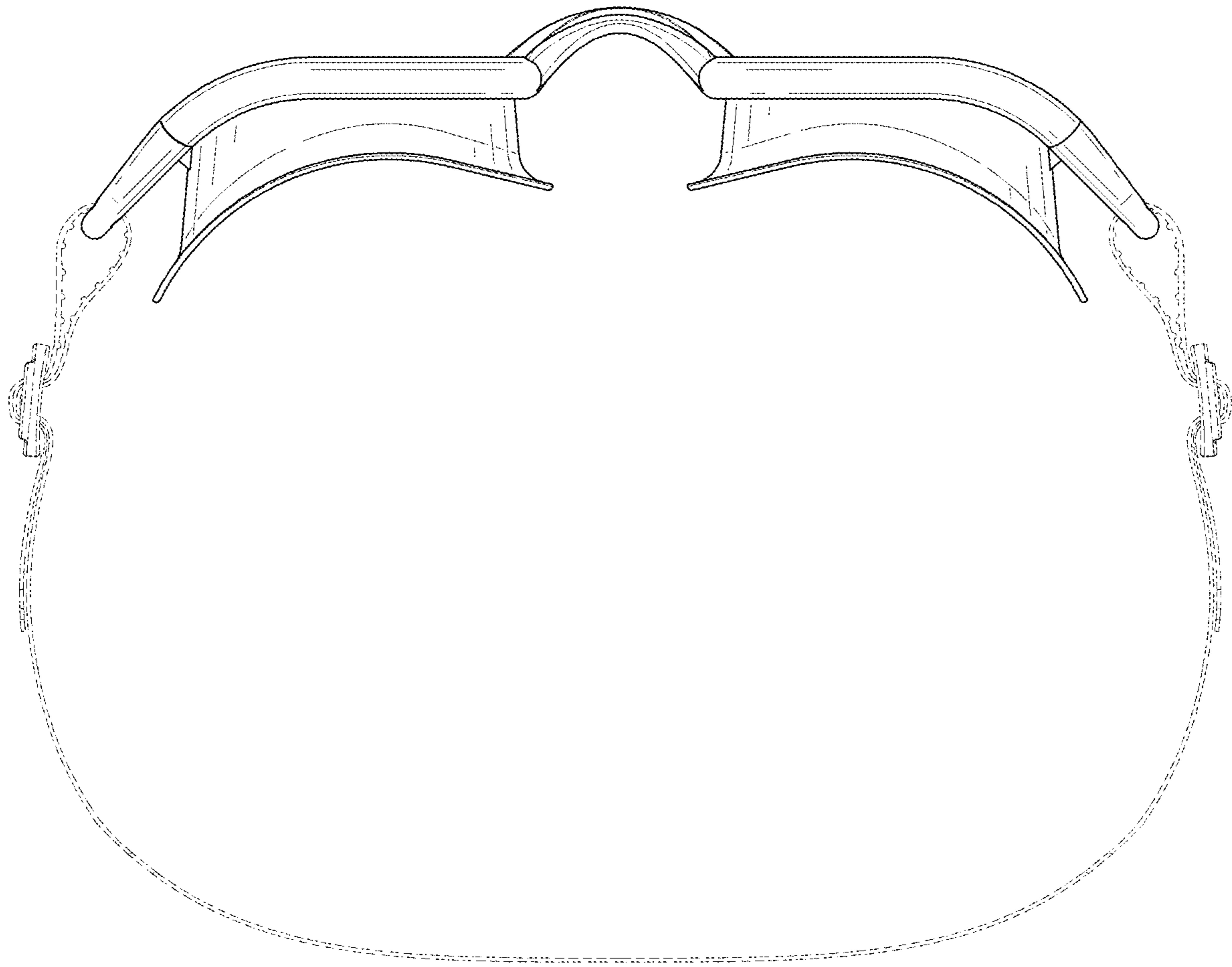


FIG. 8