



US00D898108S

(12) **United States Design Patent** (10) **Patent No.:** **US D898,108 S**  
**Clark et al.** (45) **Date of Patent:** **\*\* Oct. 6, 2020**

(54) **TRIPOD BALL HEAD**  
(71) Applicants: **Graham Clark**, Lakewood, CO (US);  
**Thomas Cassaro**, Minas Gerais (BR);  
**Nathan Kanner**, Denver, CO (US)  
(72) Inventors: **Graham Clark**, Lakewood, CO (US);  
**Thomas Cassaro**, Minas Gerais (BR);  
**Nathan Kanner**, Denver, CO (US)  
(73) Assignee: **Colorado Tripod Company LLC**,  
Lakewood, CO (US)  
(\*\*) Term: **15 Years**  
(21) Appl. No.: **29/688,369**  
(22) Filed: **Apr. 19, 2019**  
(51) **LOC (12) Cl.** ..... **16-05**  
(52) **U.S. Cl.**  
USPC ..... **D16/245**  
(58) **Field of Classification Search**  
USPC ..... D16/219, 237-250, 237-250, 244;  
D14/229, 238, 251, 253, 447, 451, 457;  
D8/354, 355, 363, 373, 382-383,  
D8/394-396  
CPC ..... A45F 2200/0508-0533; A45F 5/00; A45F  
5/10; F16M 11/06-10; F16M 11/14;  
G02B 7/00-002; G03B 17/56; G03B  
17/561-566; H04N 5/2253-2254  
See application file for complete search history.

(56) **References Cited**  
U.S. PATENT DOCUMENTS  
D714,267 S \* 9/2014 Kallas ..... D14/229  
9,052,574 B1 \* 6/2015 Johnson, Sr. .... F16M 11/105  
D734,337 S \* 7/2015 Volta ..... D14/420

D745,911 S \* 12/2015 Lee ..... D16/203  
D746,352 S \* 12/2015 Ryterski ..... D16/219  
D757,706 S \* 5/2016 Taing ..... D14/253  
9,372,383 B2 \* 6/2016 Johnson, Sr. .... F16M 11/28  
D864,282 S \* 10/2019 Liu ..... D16/244  
D865,752 S \* 11/2019 Richardson ..... D14/253  
D881,968 S \* 4/2020 Persson ..... D16/203  
D883,370 S \* 5/2020 Clark ..... D16/245  
2007/0120027 A1 \* 5/2007 Chang ..... B60R 11/02  
248/205.5  
2018/0292043 A1 \* 10/2018 Clark ..... F16M 11/14

**OTHER PUBLICATIONS**

Summit Stability Z59. [online] Published on Mar. 17, 2019. Retrieved Jul. 23, 2020 from URL: <https://imgur.com/a/iKQ2Hu4>.\*

\* cited by examiner

*Primary Examiner* — Vy N Koenig  
(74) *Attorney, Agent, or Firm* — Christopher Pilling

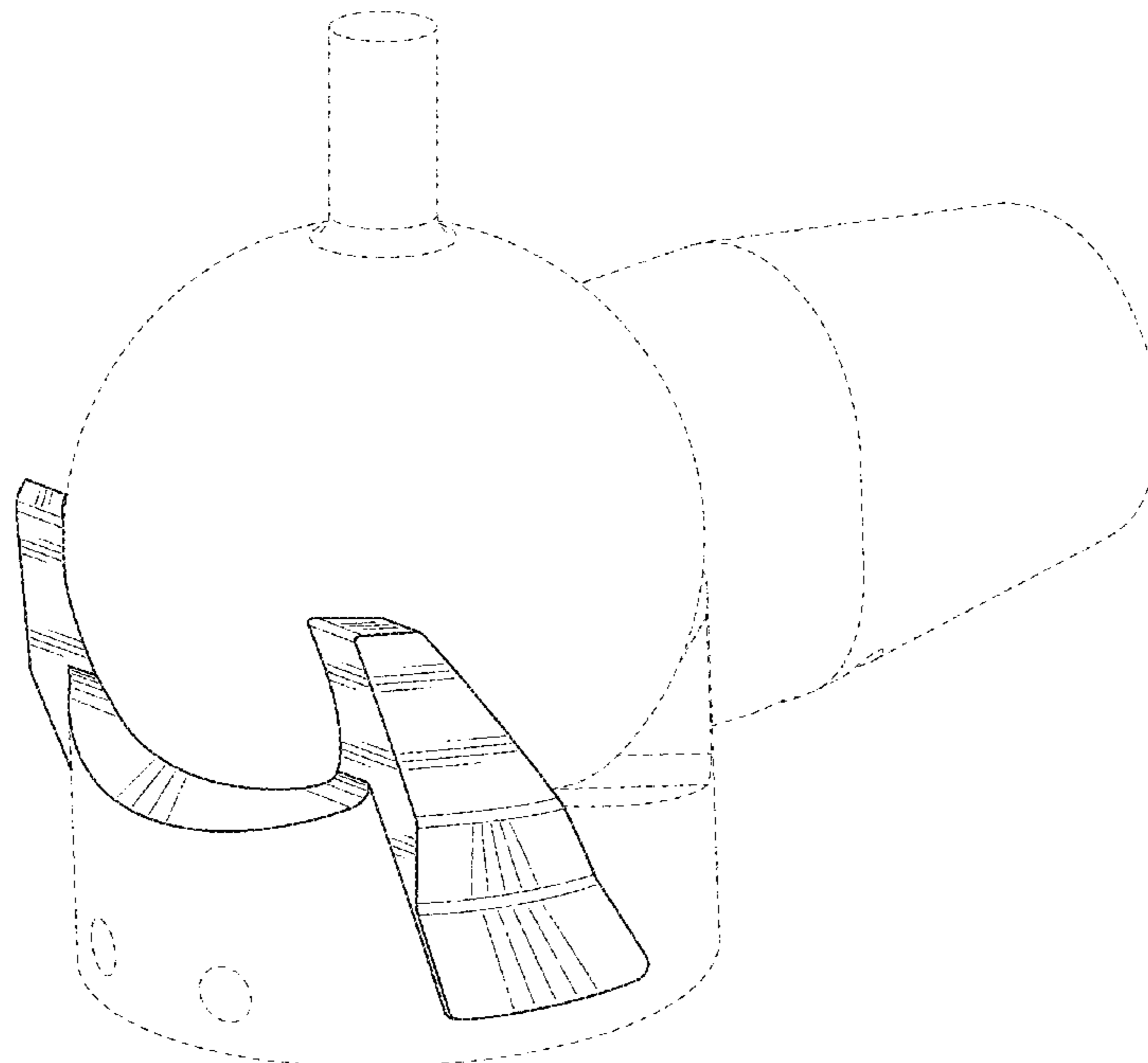
(57) **CLAIM**

The ornamental design for a tripod ball head, as shown and described.

**DESCRIPTION**

FIG. 1 is a front perspective view of a tripod ball head in accordance with the present invention;  
FIG. 2 is a right side view thereof;  
FIG. 3 is a left side view thereof;  
FIG. 4 is a front view thereof,  
FIG. 5 is a rear view thereof;  
FIG. 6 is a top view thereof; and,  
FIG. 7 is a bottom view thereof.  
The broken lines shown in the drawings depict portions of the tripod ball head that form no part of the claimed design.

**1 Claim, 7 Drawing Sheets**



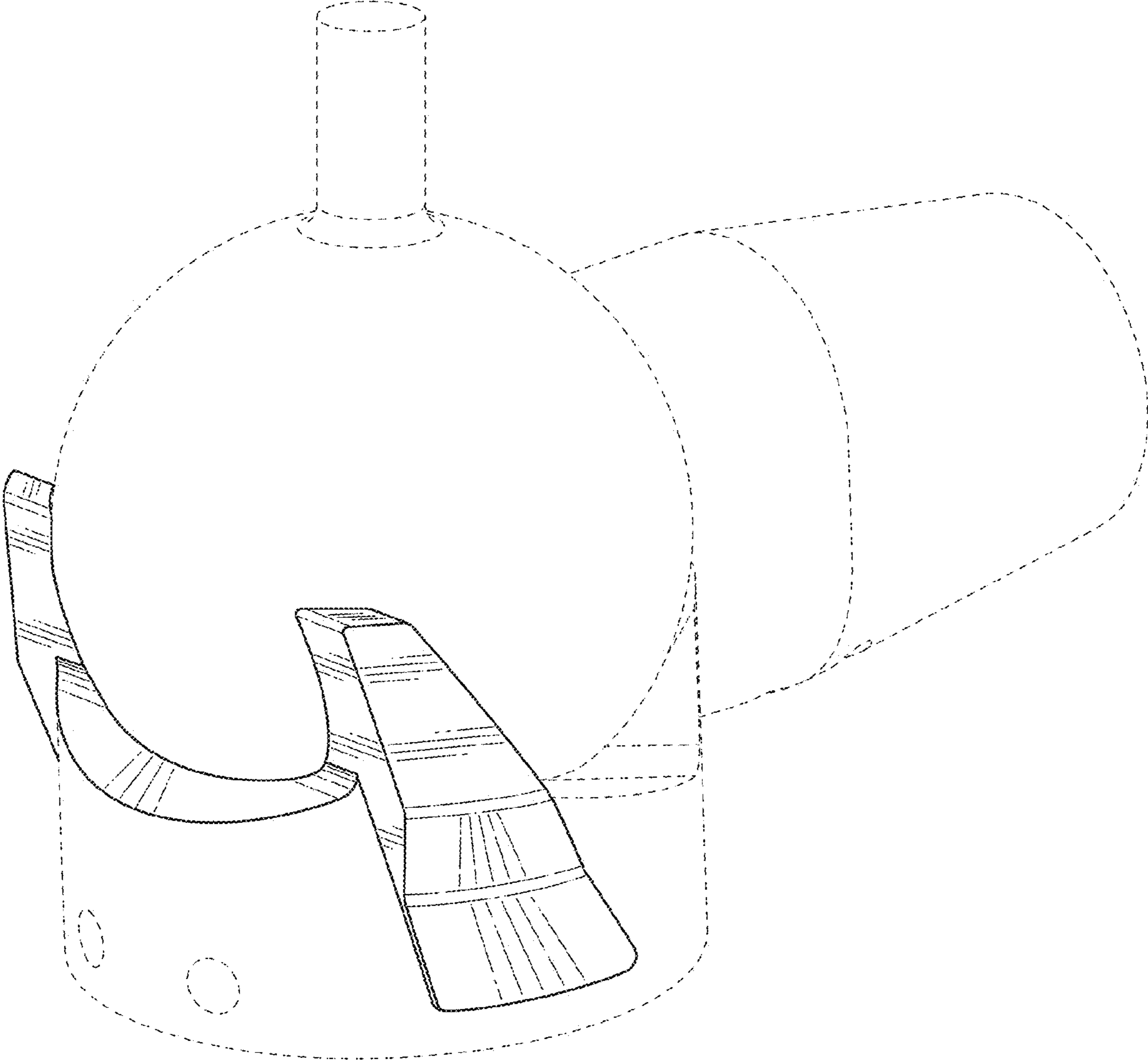


FIG. 1

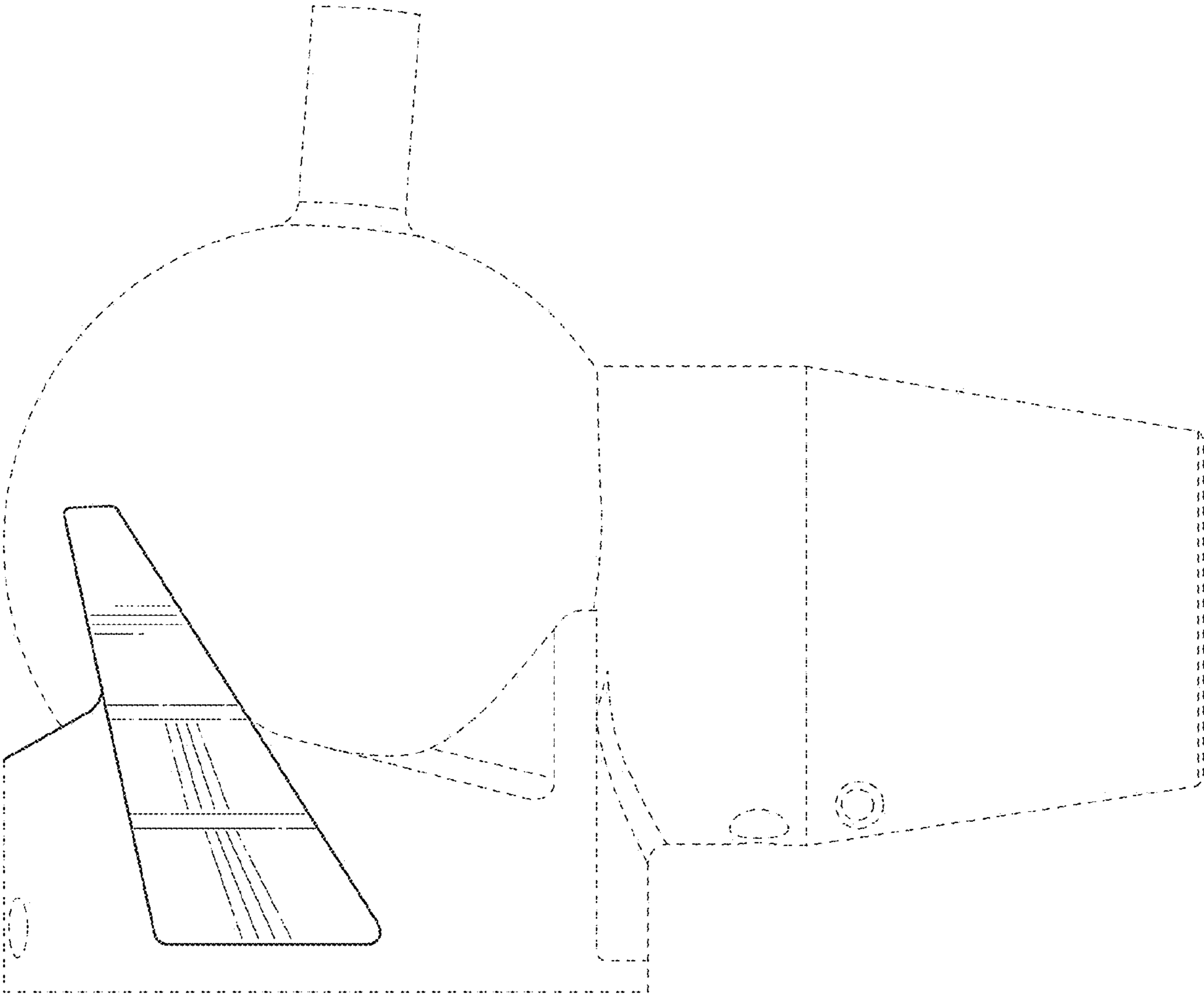


FIG. 2

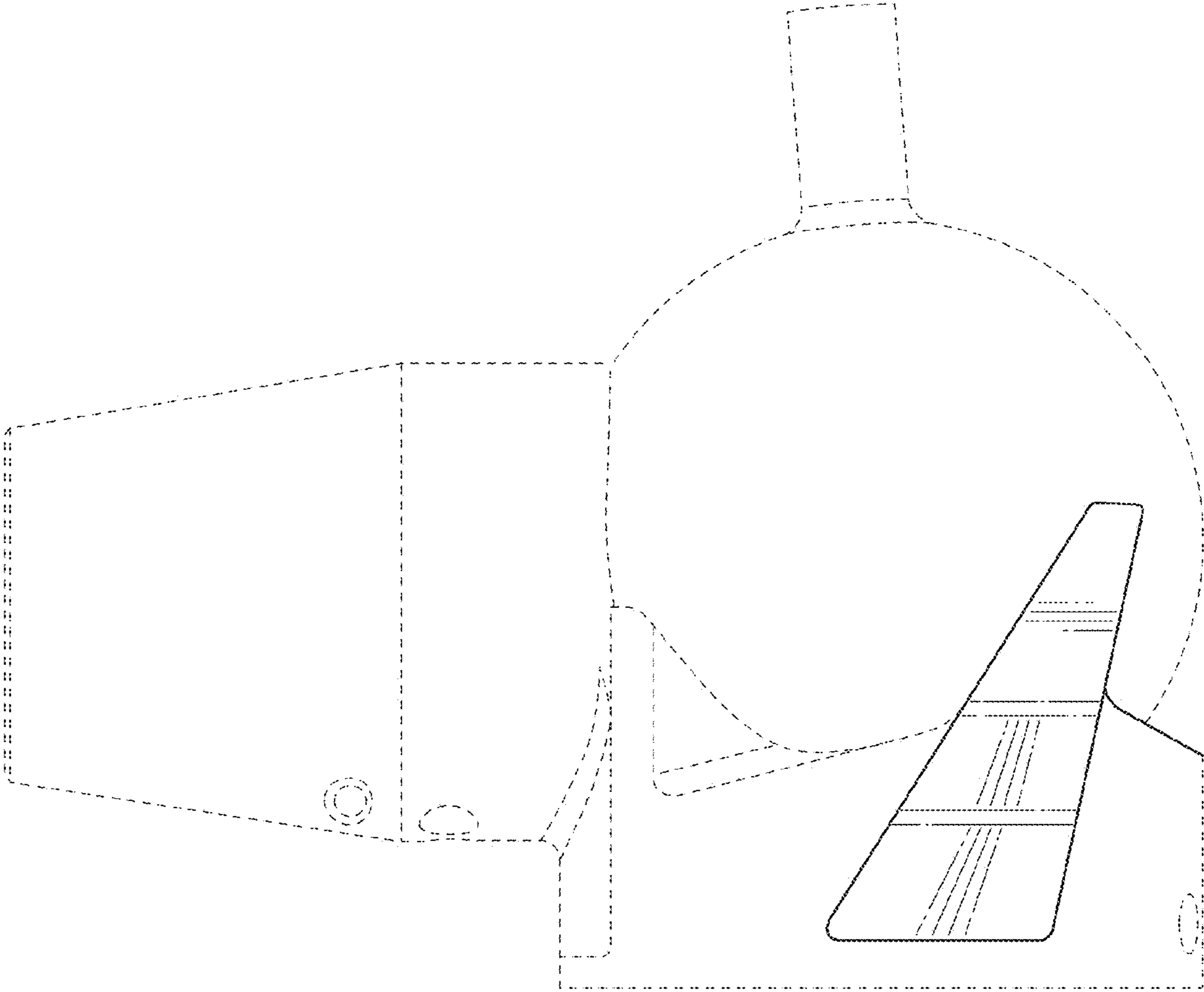


FIG. 3

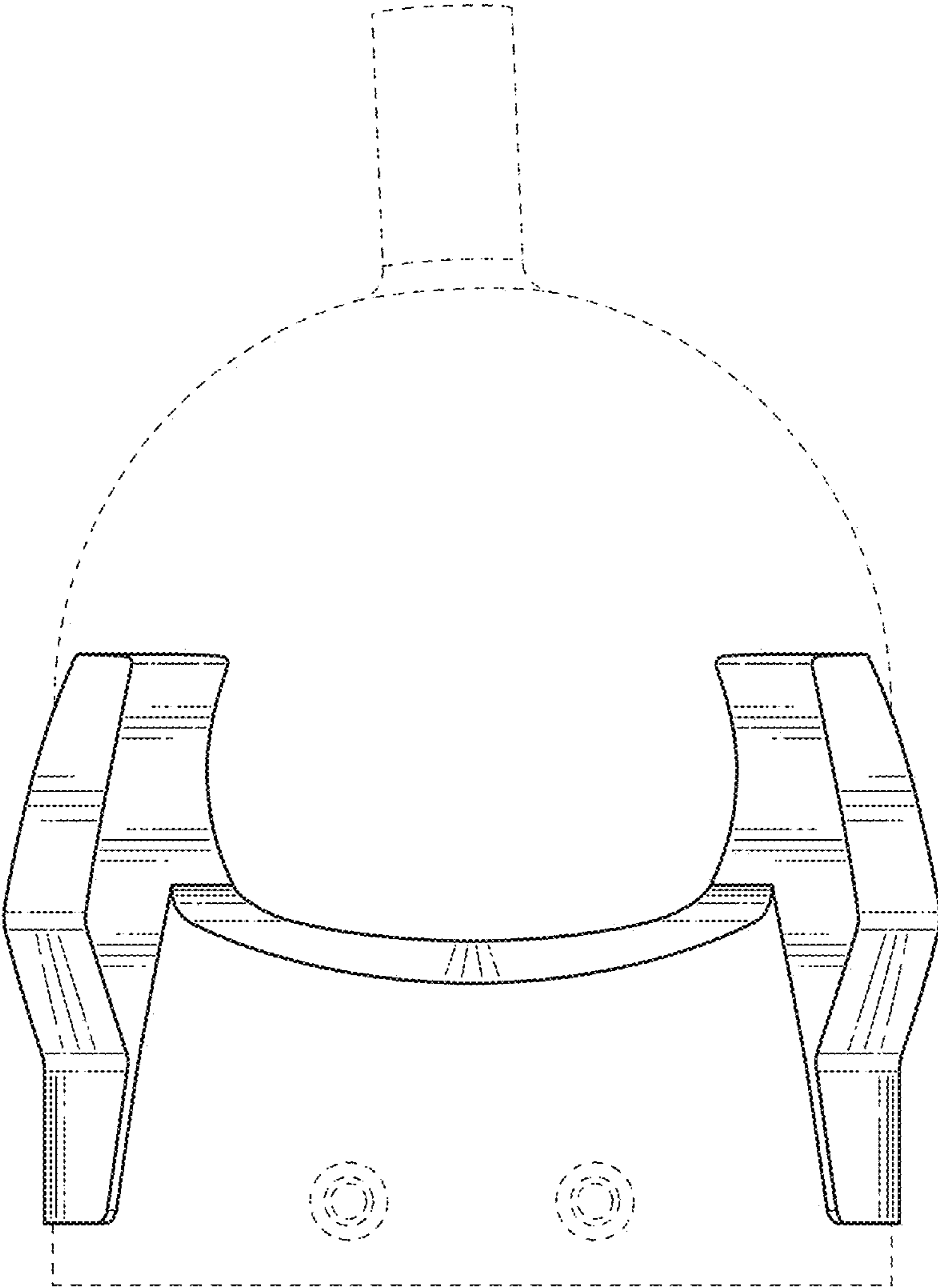


FIG. 4

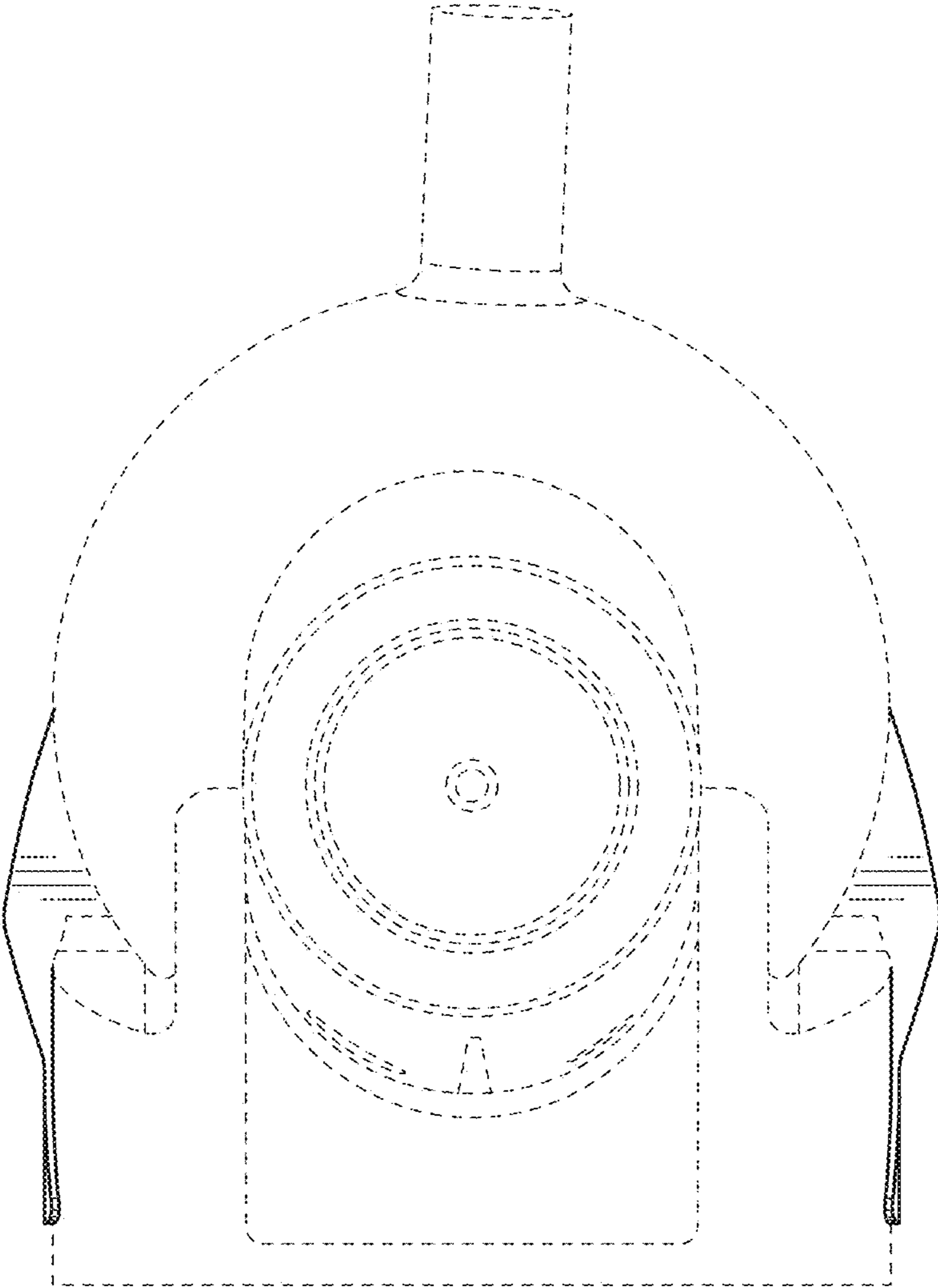


FIG. 5

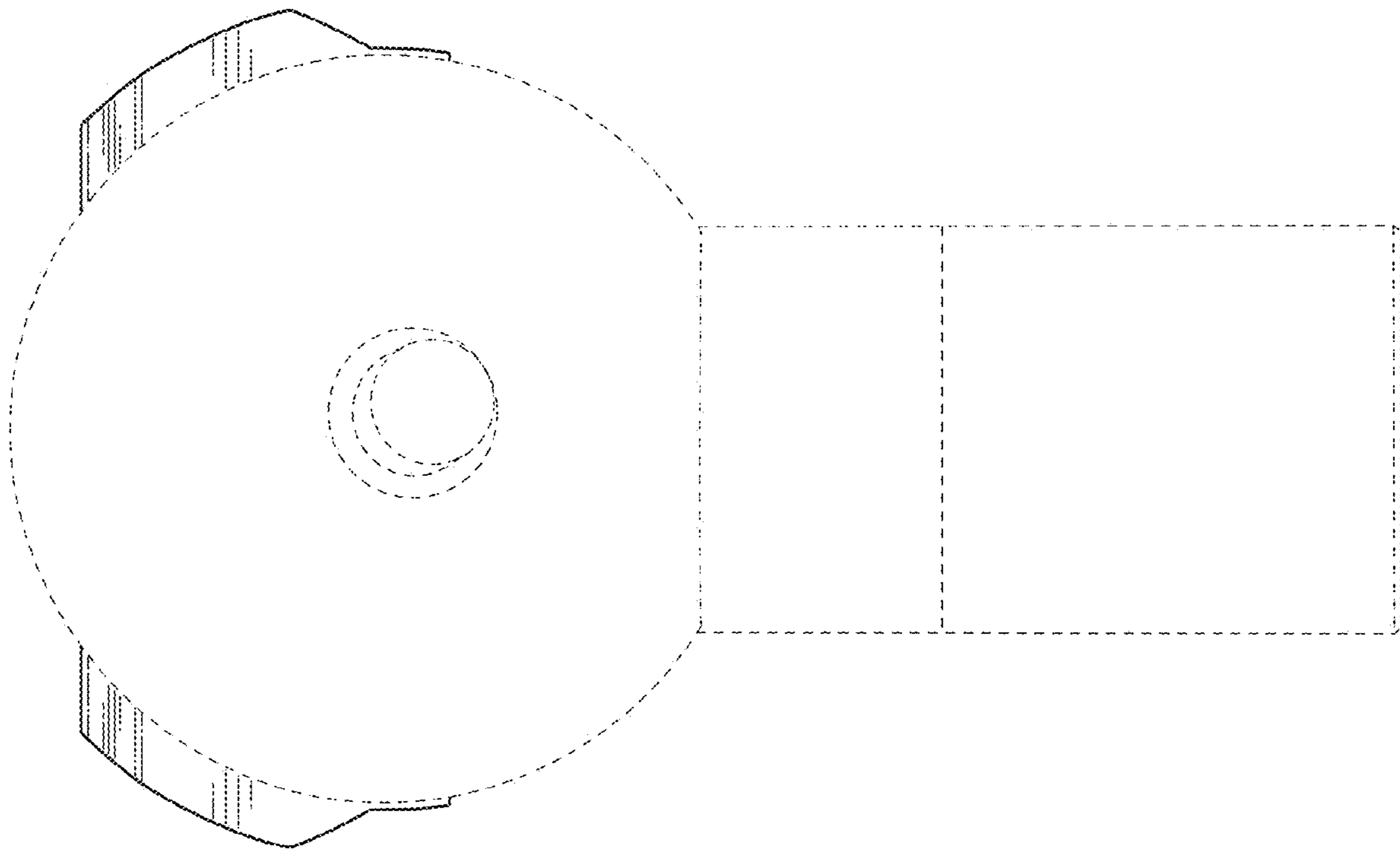


FIG. 6

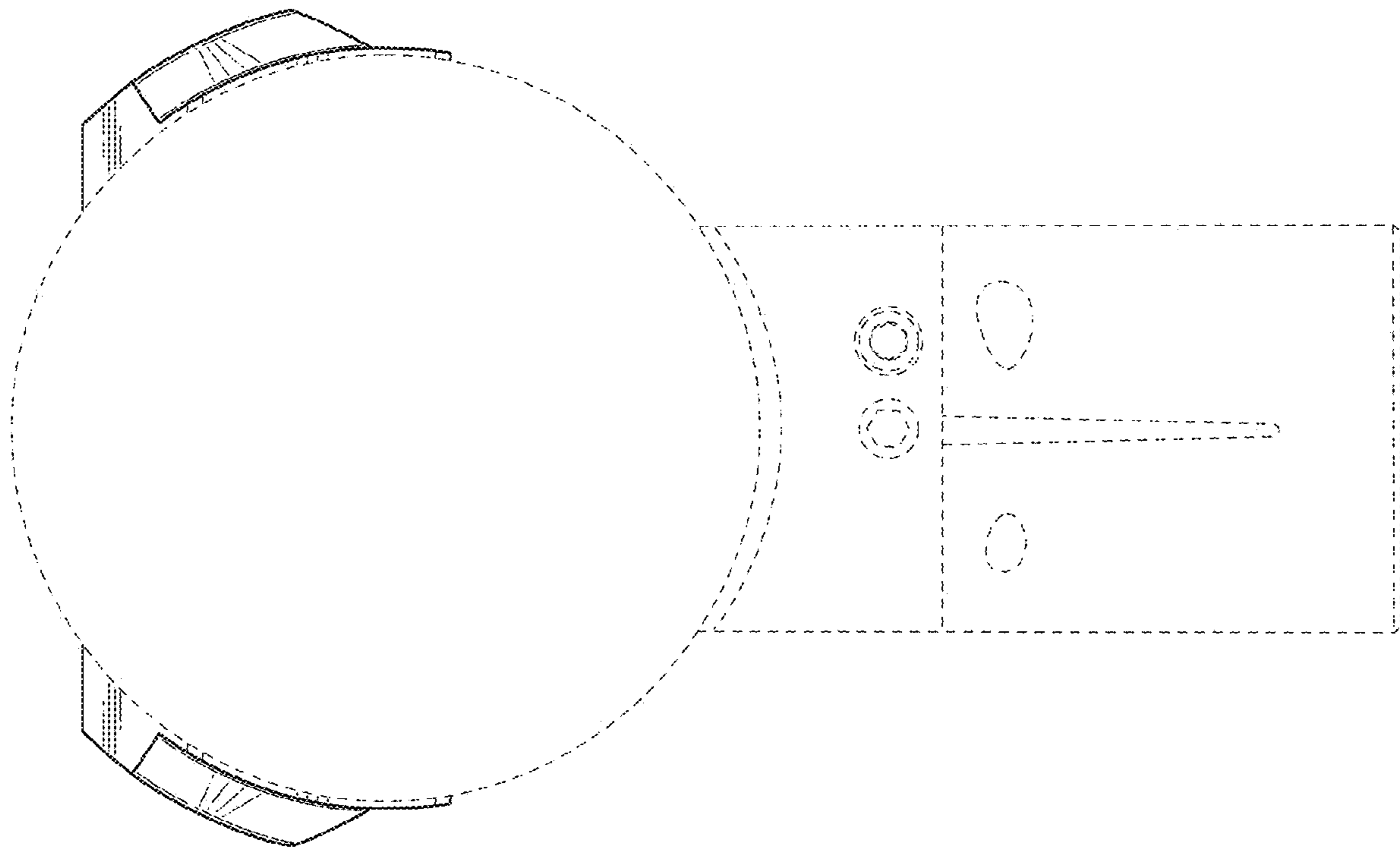


FIG. 7