



US00D898107S

(12) **United States Design Patent**  
**Tan**

(10) **Patent No.:** **US D898,107 S**

(45) **Date of Patent:** **\*\* Oct. 6, 2020**

(54) **TRIPOD FOR CAMERA**

(71) Applicant: **Shenzhen Xunshan Technology Co., Ltd**, Shenzhen, Guangdong (CN)

(72) Inventor: **Linzhuang Tan**, Guangdong (CN)

(\*\*) Term: **15 Years**

(21) Appl. No.: **29/735,972**

(22) Filed: **May 27, 2020**

(51) **LOC (12) Cl.** ..... **16-05**

(52) **U.S. Cl.**

USPC ..... **D16/243**; D16/244

(58) **Field of Classification Search**

USPC ..... D16/237–250, 219; D14/224, 229, 238,  
D14/251, 253, 447, 451, 457; D8/354,  
D8/355, 363, 373, 382–383, 394–396;  
D26/87, 92

CPC ..... G03B 17/56; G03B 17/561–566; F16M  
11/06–10; A45F 5/00; A45F 5/10

See application file for complete search history.

(56) **References Cited**

**U.S. PATENT DOCUMENTS**

D222,118 S *	9/1971	Nakatani	.....	D16/244
D590,867 S *	4/2009	Schenone	.....	D16/206
D710,681 S *	8/2014	Ohira	.....	D8/382
D718,365 S	11/2014	Kim et al.		
D730,429 S *	5/2015	Anari	.....	D16/243
D743,781 S *	11/2015	Fischer	.....	D8/395
D747,399 S *	1/2016	Stump	.....	D16/243
D766,230 S *	9/2016	Shepard	.....	D14/253
D772,972 S *	11/2016	Anari, III	.....	D16/243
D779,579 S *	2/2017	Anari, III	.....	D16/242
D780,248 S *	2/2017	Anari, III	.....	D16/242
D869,546 S *	12/2019	Paterson	.....	D16/243
D870,800 S *	12/2019	Xu	.....	D16/244
D881,981 S *	4/2020	Li	.....	D16/244

D893,582 S *	8/2020	Vitale	.....	D16/244
2015/0316837 A1 *	11/2015	Maltese	.....	G03B 17/561 294/139
2017/0114945 A1 *	4/2017	Chen	.....	F16M 13/00

**OTHER PUBLICATIONS**

Tripod Grip. [online] Retrieved Aug. 28, 2020 from URL: <http://www.sp-gadgets.com/en/actioncam-accessories/tripod-grip>.\*

Soonsun Monopod & Tripod. [online] Retrieved Aug. 28, 2020 from URL: <https://www.amazon.com/stores/SOONSUN/MonopodTripod/page/D9207BC1-3CD5-45DF-97AB-25494169938D>.\*

\* cited by examiner

*Primary Examiner* — Vy N Koenig

(74) *Attorney, Agent, or Firm* — ZANIP

(57) **CLAIM**

The ornamental design for a tripod for camera, as shown and described.

**DESCRIPTION**

FIG. 1 is a front and top perspective view of a tripod for camera, showing my new design;

FIG. 2 is a rear and bottom perspective view thereof;

FIG. 3 is a front elevational view thereof;

FIG. 4 is a rear elevational view thereof;

FIG. 5 is a left side elevational view thereof;

FIG. 6 is a right side elevational view thereof;

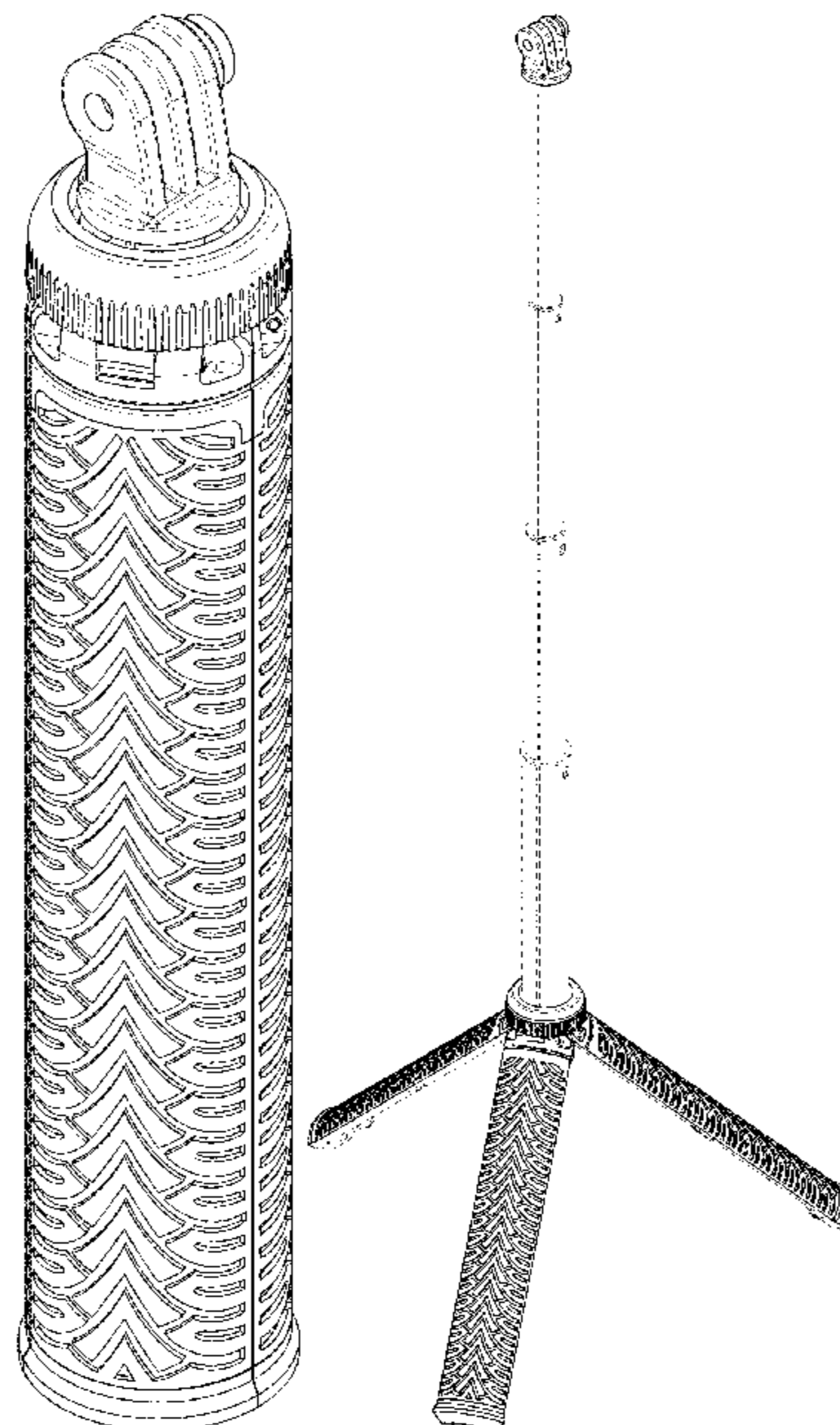
FIG. 7 is a top plan view thereof;

FIG. 8 is a bottom plan view thereof; and,

FIG. 9 is a perspective view thereof, showing the tripod for camera in a stretched position.

The broken lines in the figures illustrate portions of the article that form no part of the claimed design.

**1 Claim, 9 Drawing Sheets**



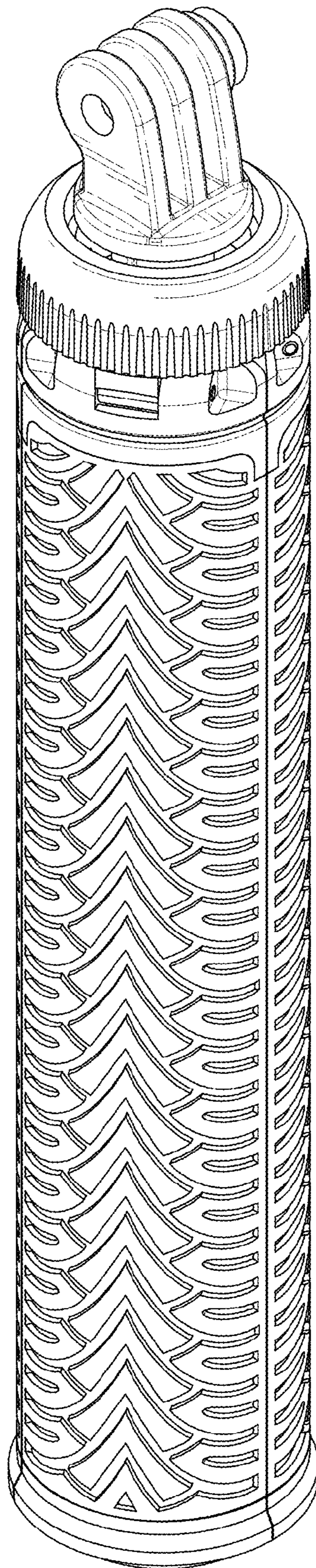


FIG. 1



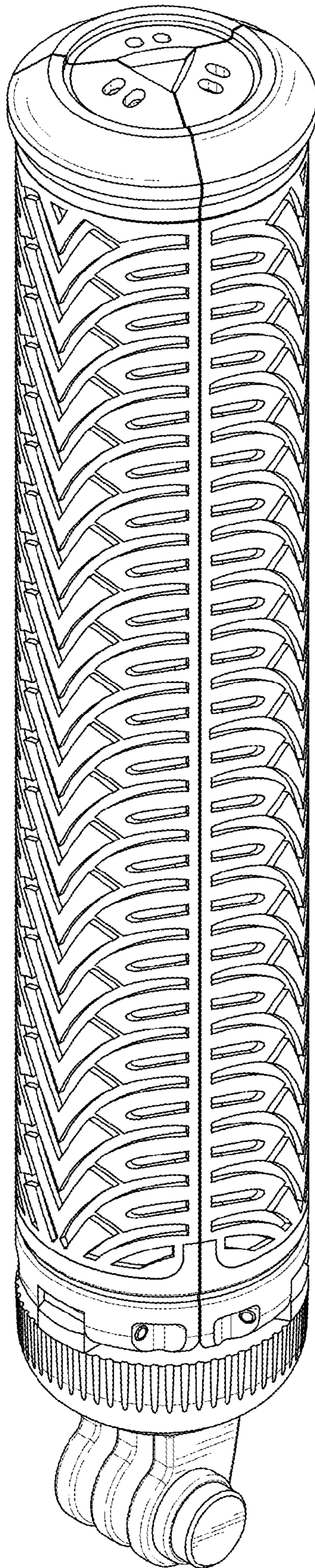


FIG. 2

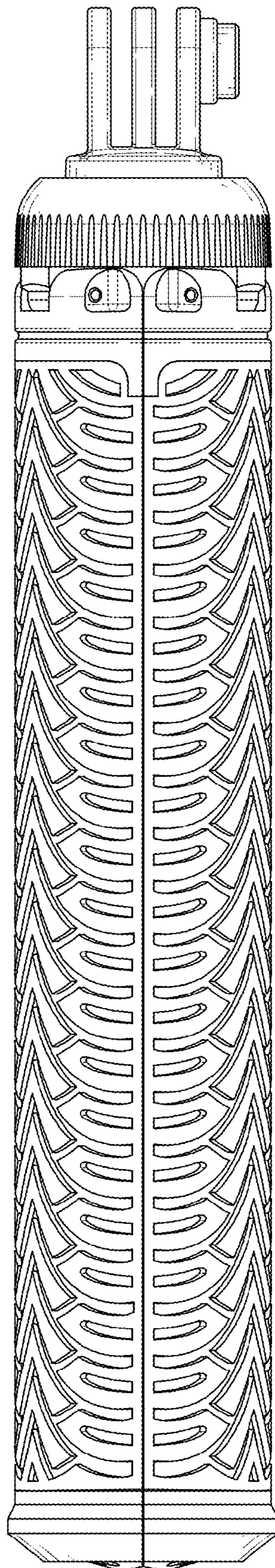


FIG. 3

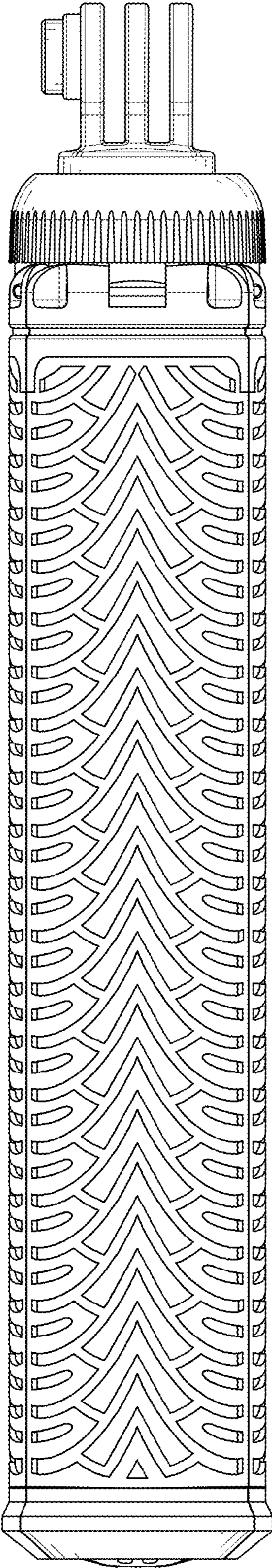


FIG. 4



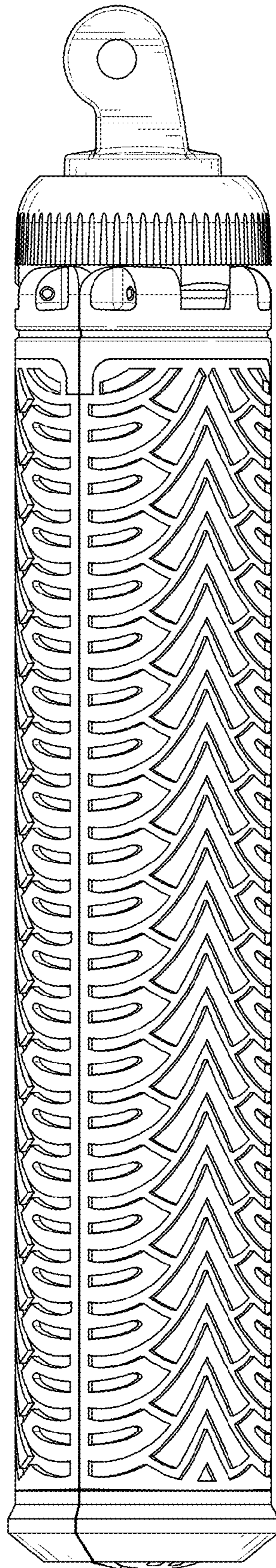


FIG. 5

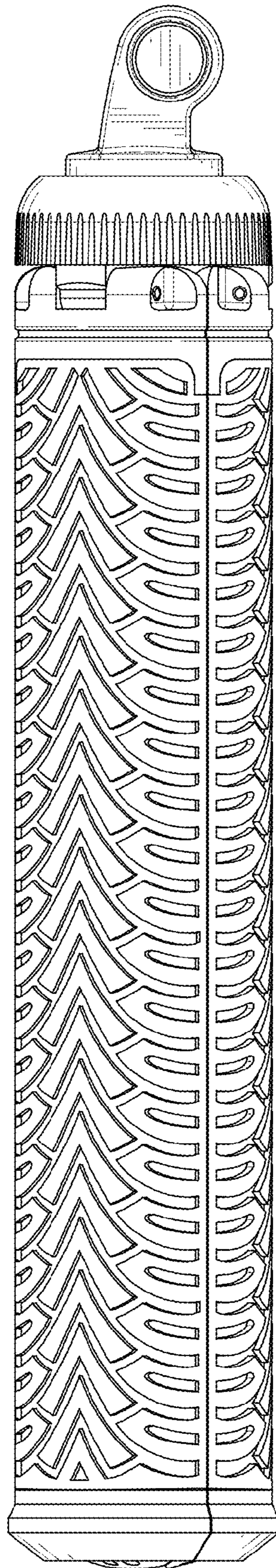


FIG. 6

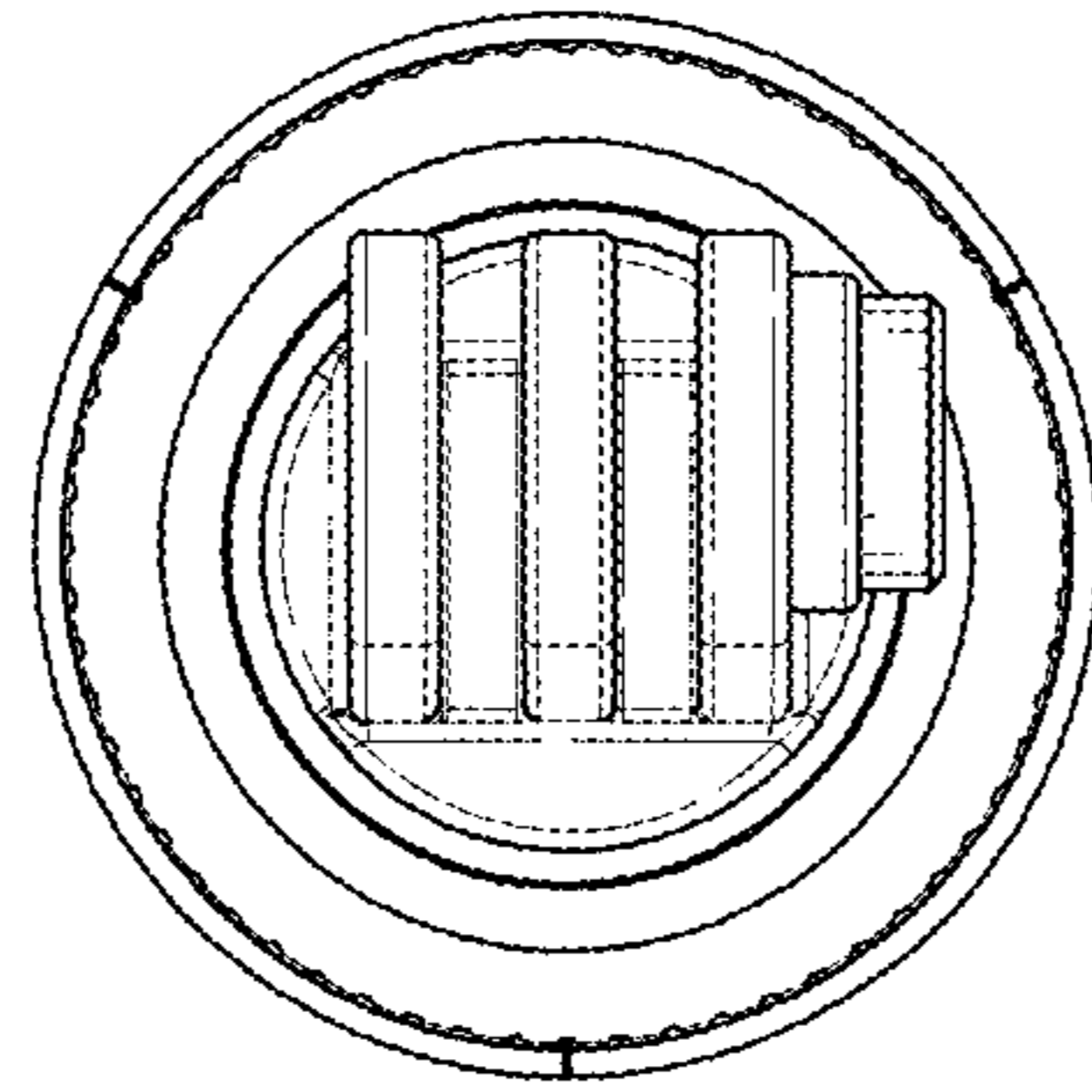


FIG. 7



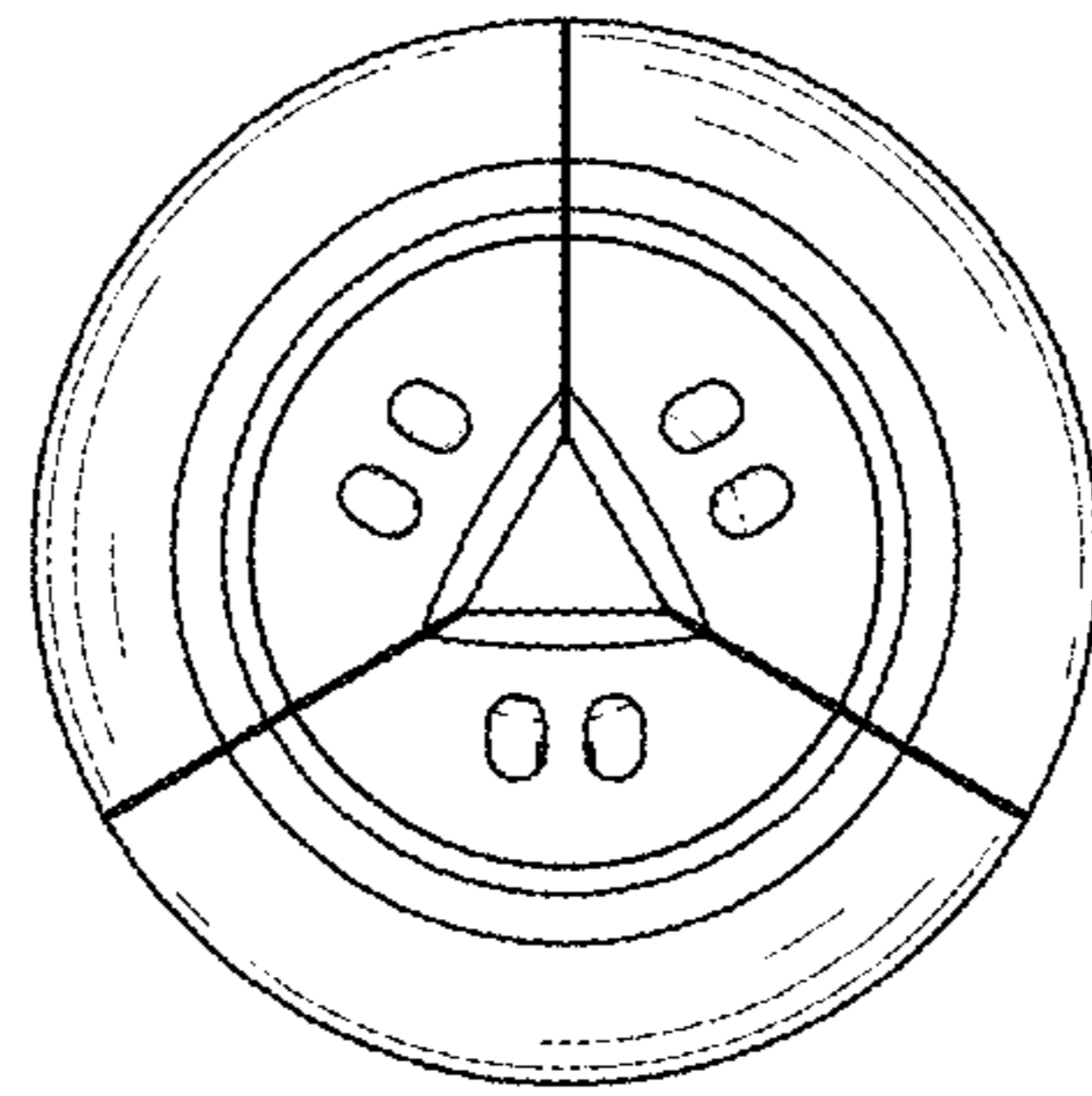


FIG. 8

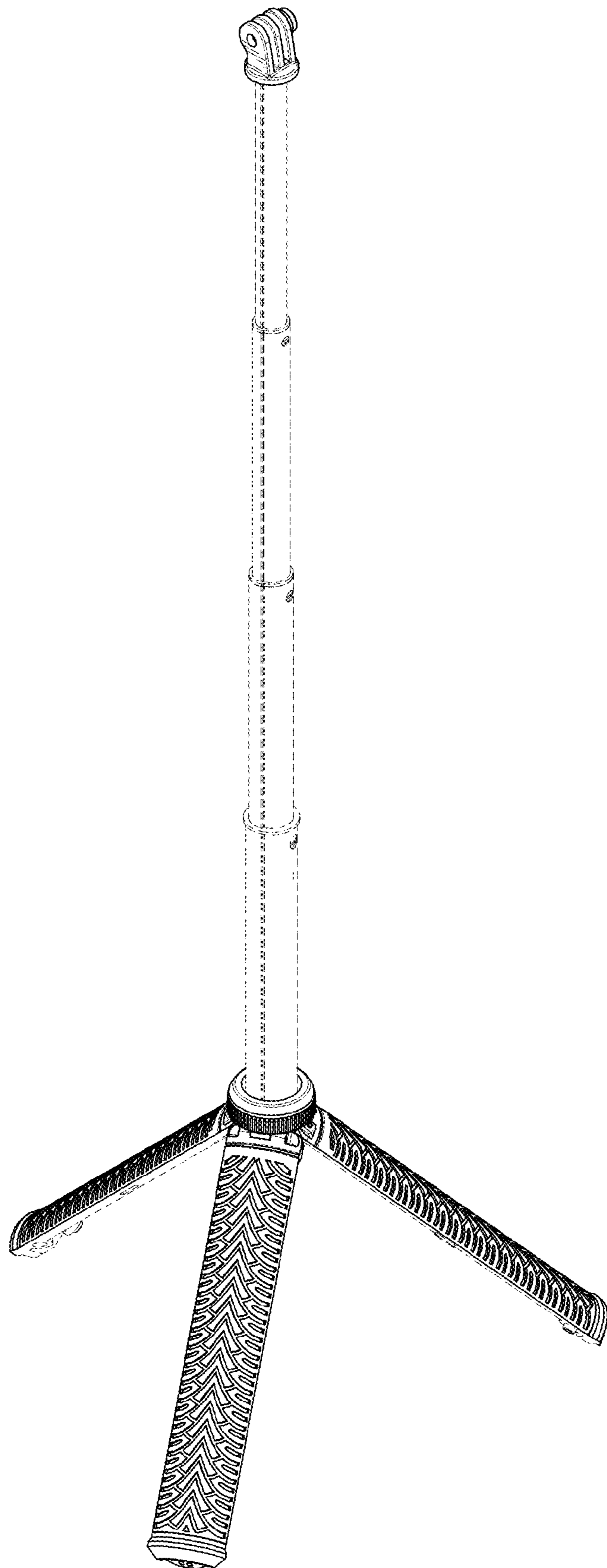


FIG. 9