



US00D898106S

(12) **United States Design Patent** (10) **Patent No.:** **US D898,106 S**
Zhao (45) **Date of Patent:** **** Oct. 6, 2020**

(54) **PROJECTOR SCREEN**

(71) Applicant: **Wanfo (Shenzhen) Intelligent Technology Co., Ltd.**, Shenzhen, Guangdong (CN)

(72) Inventor: **David Zhao**, Guangdong (CN)

(73) Assignee: **Wanfo (Shenzhen) Intelligent Technology Co., Ltd.**, Shenzhen (CN)

(**) Term: **15 Years**

(21) Appl. No.: **29/661,282**

(22) Filed: **Aug. 27, 2018**

(30) **Foreign Application Priority Data**

May 17, 2018 (CN) 2018 3 0227769

(51) **LOC (12) Cl.** **16-05**

(52) **U.S. Cl.**
USPC **D16/241**

(58) **Field of Classification Search**
USPC D16/219, 237-250; D14/229, 238, 251, D14/253, 447, 451, 457; D8/354, 355, D8/363, 373, 382-383, 394-396
CPC A45F 2200/0508-0533; A45F 5/00; A45F 5/10; F16M 11/06-10; F16M 11/14; G02B 7/00-002; G03B 17/56; G03B 17/561-566; H04N 5/2253-2254
See application file for complete search history.

(56) **References Cited**

U.S. PATENT DOCUMENTS

2,793,764 A * 5/1957 Stork A47F 7/24
211/204
6,870,672 B2 * 3/2005 Stumpf G03B 21/58
248/465
8,024,881 B2 * 9/2011 Redmon G03B 21/58
40/610
D684,209 S * 6/2013 Measom D16/241
D685,837 S * 7/2013 Measom D16/241

D703,258 S * 4/2014 Measom D16/241
9,051,751 B2 * 6/2015 Ogilvie E04H 15/005
D785,071 S * 4/2017 Measom D16/241
D828,057 S * 9/2018 Yaguchi D6/681
D828,433 S * 9/2018 Zhao D16/241
(Continued)

OTHER PUBLICATIONS

Vamvo Outdoor Indoor Projector Screen with Stand Foldable Portable Movie Screen. [online] Retrieved Jul. 31, 2020 from URL: https://www.amazon.com/Vamvo-Outdoor-Projector-Foldable-Portable/dp/B07C5FF51Q/ref=sr_1_1?dchild=1&keywords=Vamvo+Outdoor+Indoor+Projector+Screen+with+Stand+Foldable+Portable+Movie+Screen+120+Inc.*

(Continued)

Primary Examiner — Vy N Koenig

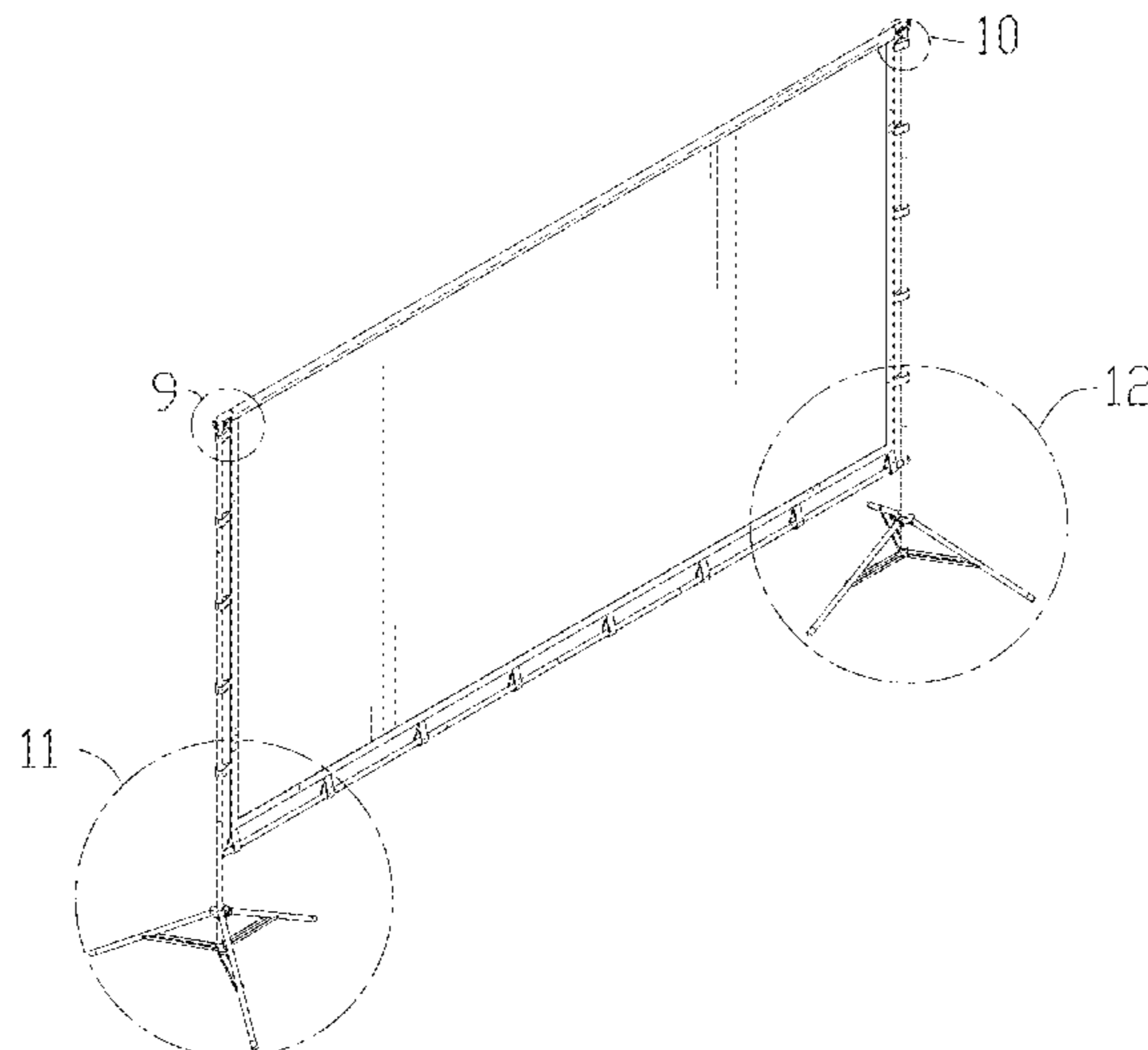
(57) **CLAIM**

The ornamental design for a projector screen, as shown and described.

DESCRIPTION

FIG. 1 is a top, front and left side perspective view of a projector screen showing my new design;
FIG. 2 is a bottom, front and left side perspective view thereof;
FIG. 3 is a front elevational view thereof;
FIG. 4 is a rear elevational view thereof;
FIG. 5 is a left side view thereof;
FIG. 6 is a right side view thereof;
FIG. 7 is a top plan view thereof;
FIG. 8 is a bottom plan view thereof;
FIG. 9 is an enlarged view of portion 9 in FIG. 1;
FIG. 10 is an enlarged view of portion 10 in FIG. 1;
FIG. 11 is an enlarged view of portion 11 in FIG. 1;
FIG. 12 is an enlarged view of portion 12 in FIG. 1;
FIG. 13 is an enlarged view of portion 13 in FIG. 2;
FIG. 14 is an enlarged view of portion 14 in FIG. 3; and,
FIG. 15 is an enlarged view of portion 15 in FIG. 3.

1 Claim, 15 Drawing Sheets



(56)

References Cited

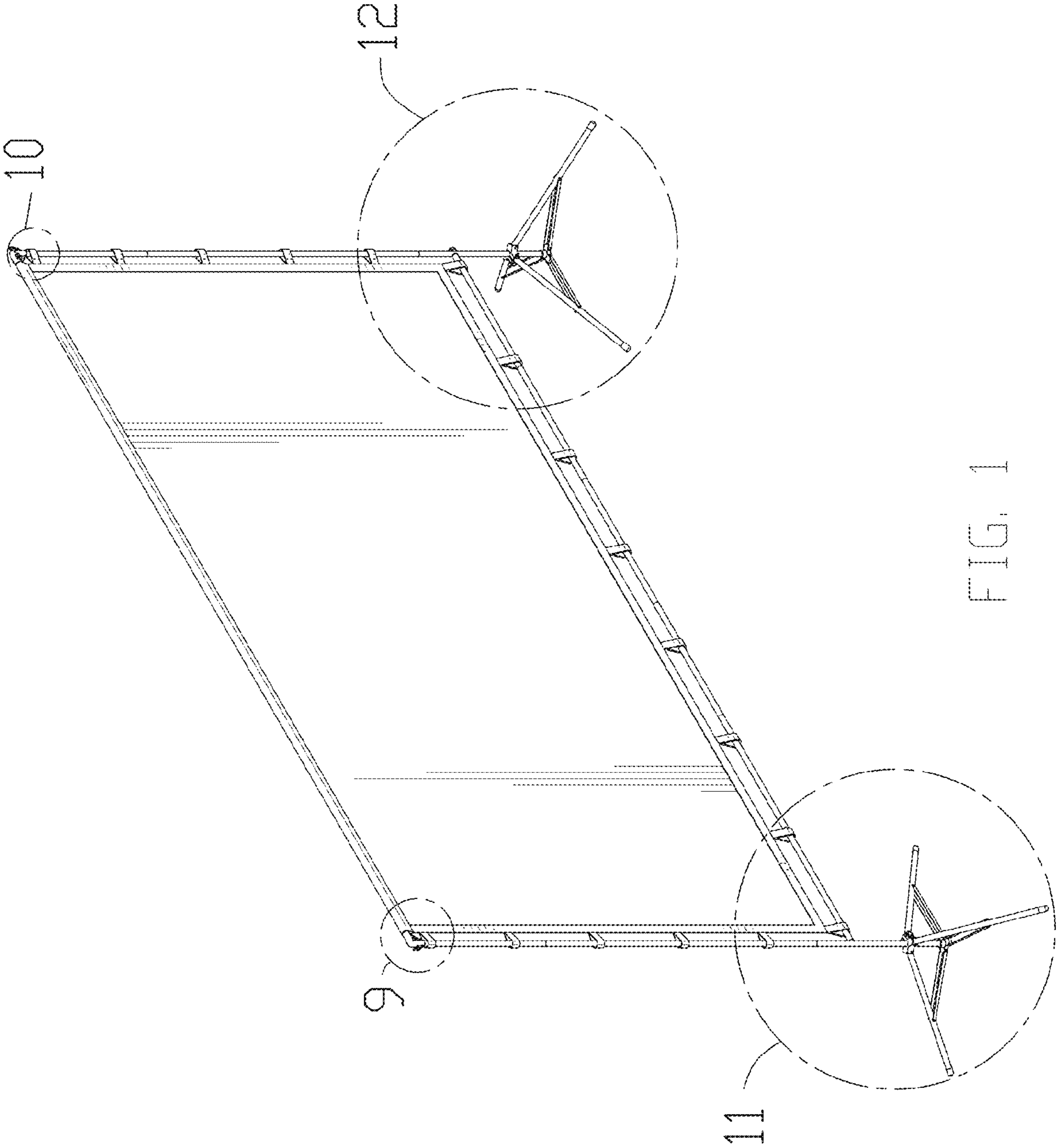
U.S. PATENT DOCUMENTS

D833,510 S * 11/2018 Jo D16/241
D845,376 S * 4/2019 Kim D16/237
D866,201 S * 11/2019 Ogilvie D6/332

OTHER PUBLICATIONS

10Ft Adjustable Photography Video Background Support Stand Kit
w/Carry Bag. [online] Retrieved Jul. 31, 2020 from URL: [https://
www.overstock.com/Electronics/10Ft-Adjustable-Photography-Video-
Background-Support-Stand-Kit-w-carrying-bag/28526689/product.
html?opt%E2%80%A6](https://www.overstock.com/Electronics/10Ft-Adjustable-Photography-Video-Background-Support-Stand-Kit-w-carrying-bag/28526689/product.html?opt%E2%80%A6).*

* cited by examiner



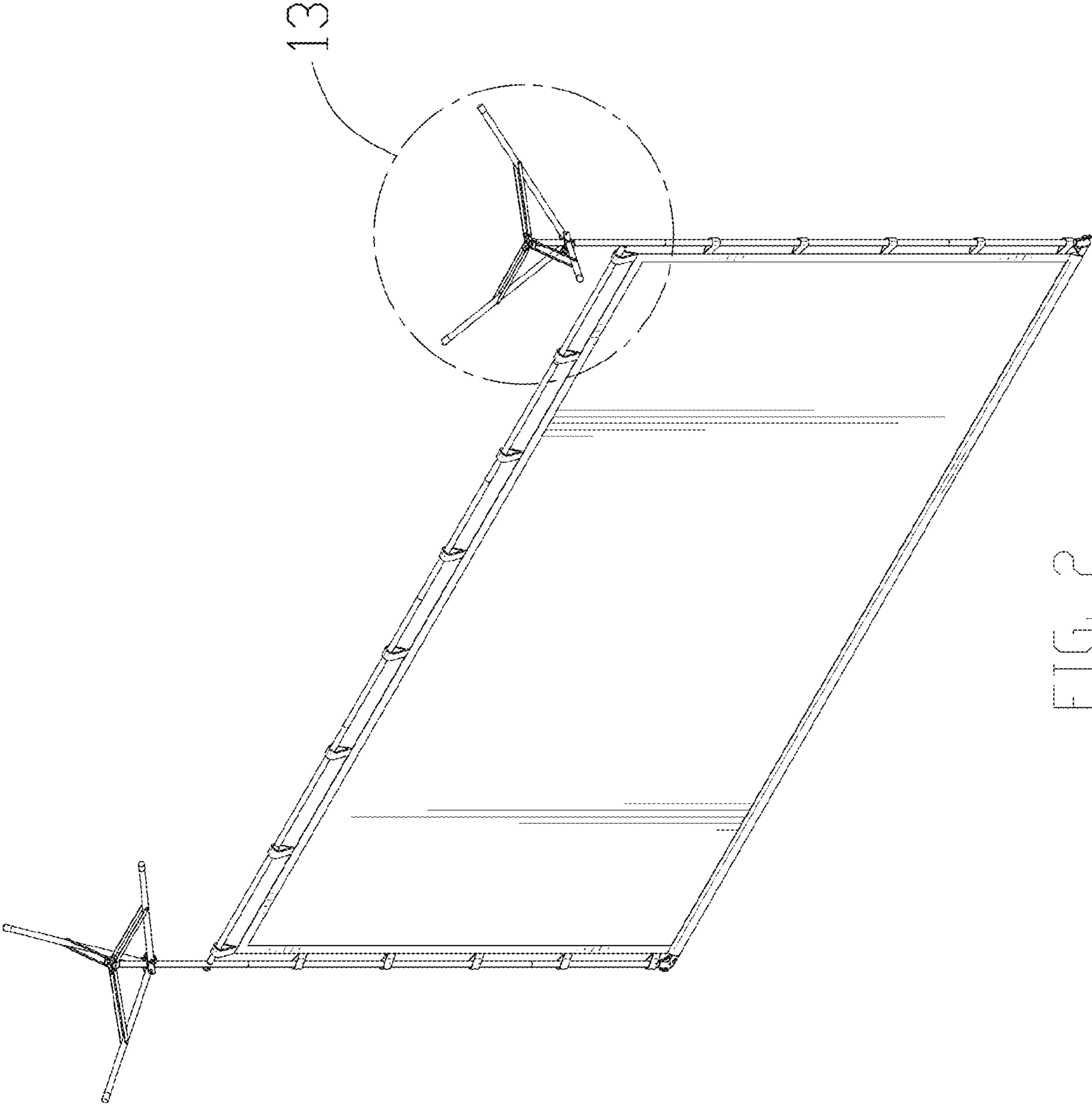


FIG. 2

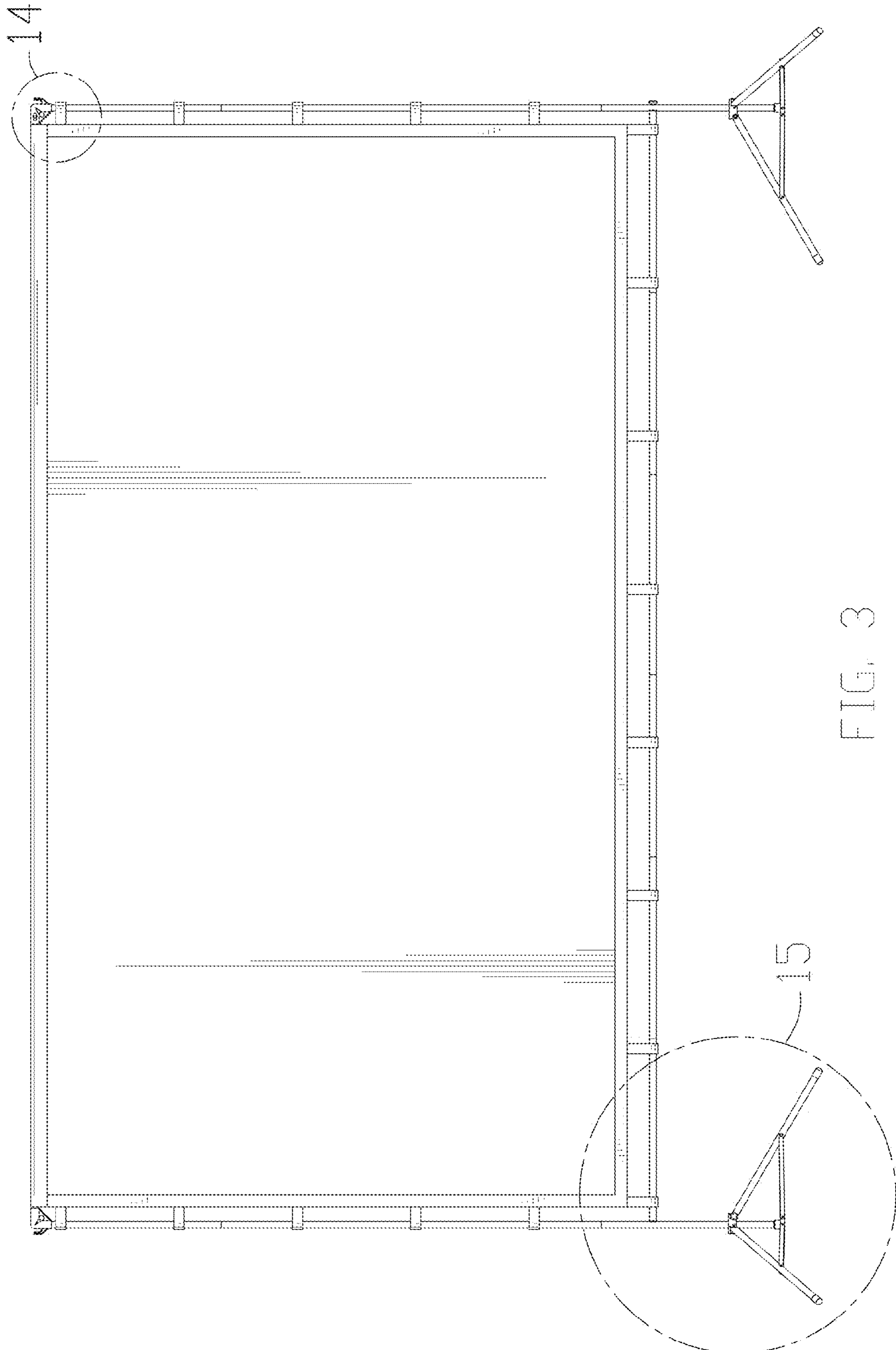
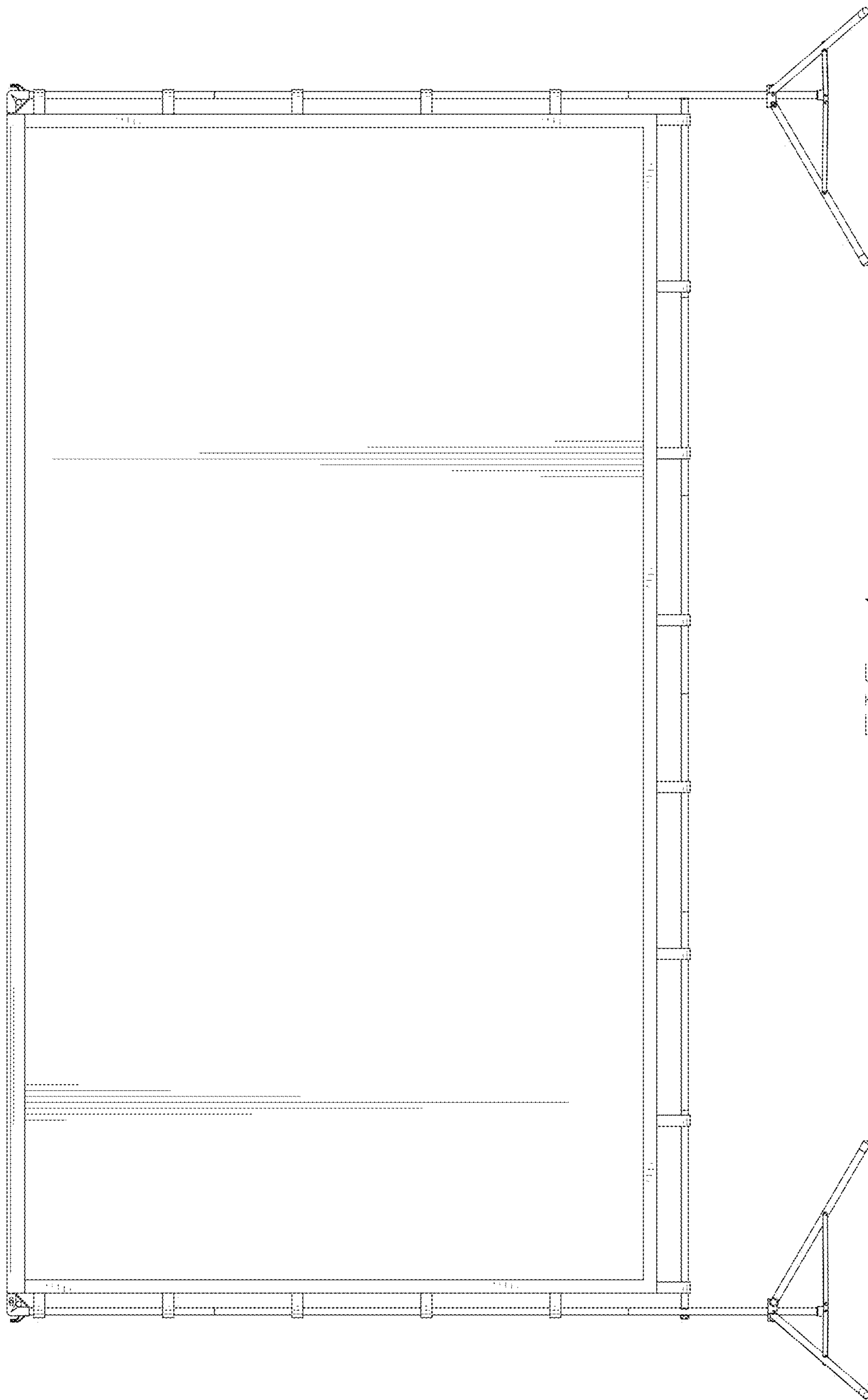


FIG. 3



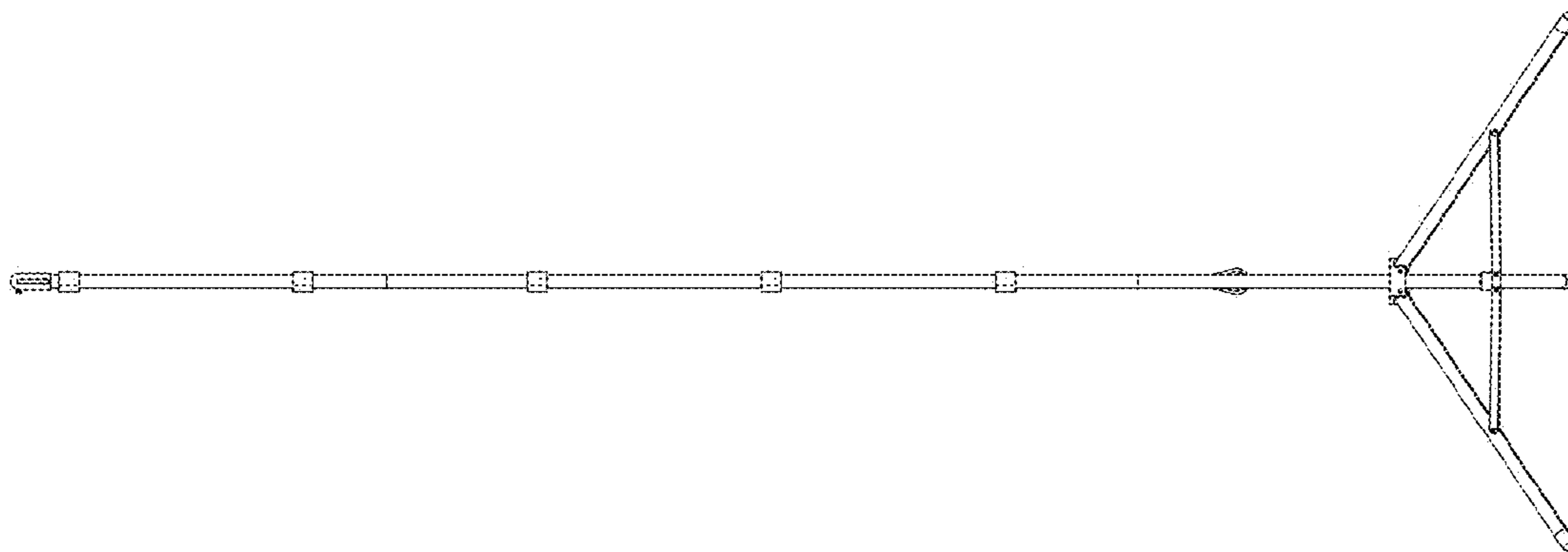


FIG. 5

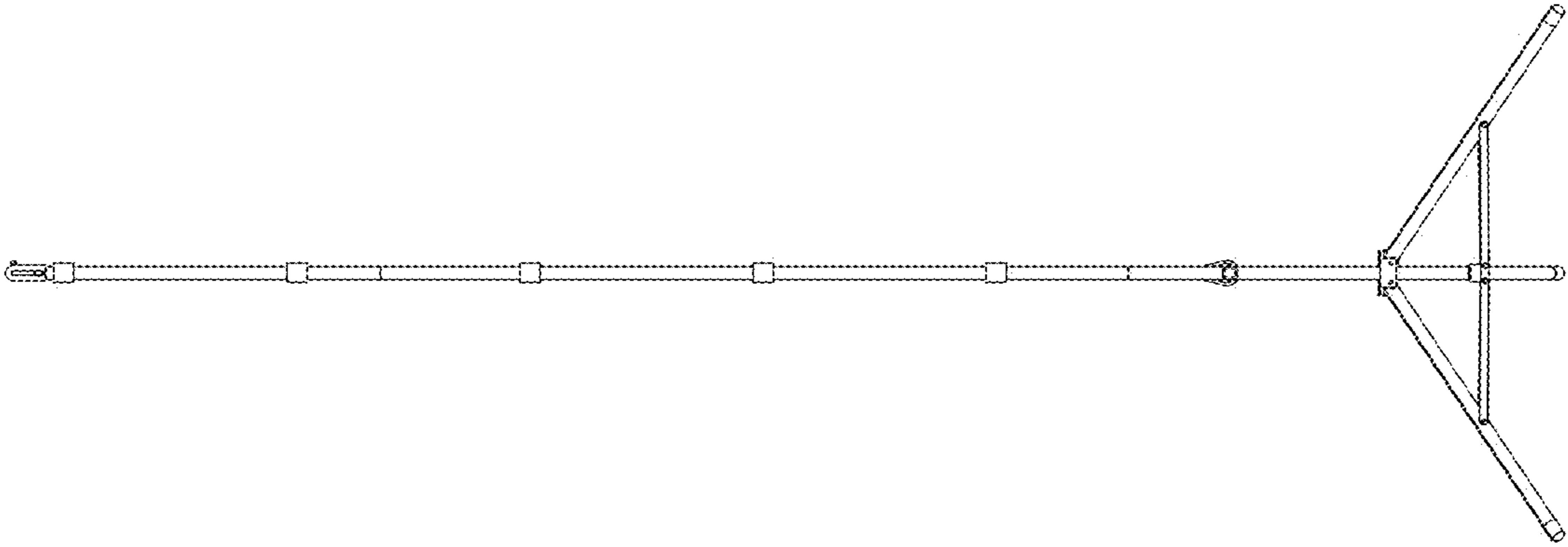


FIG. 6

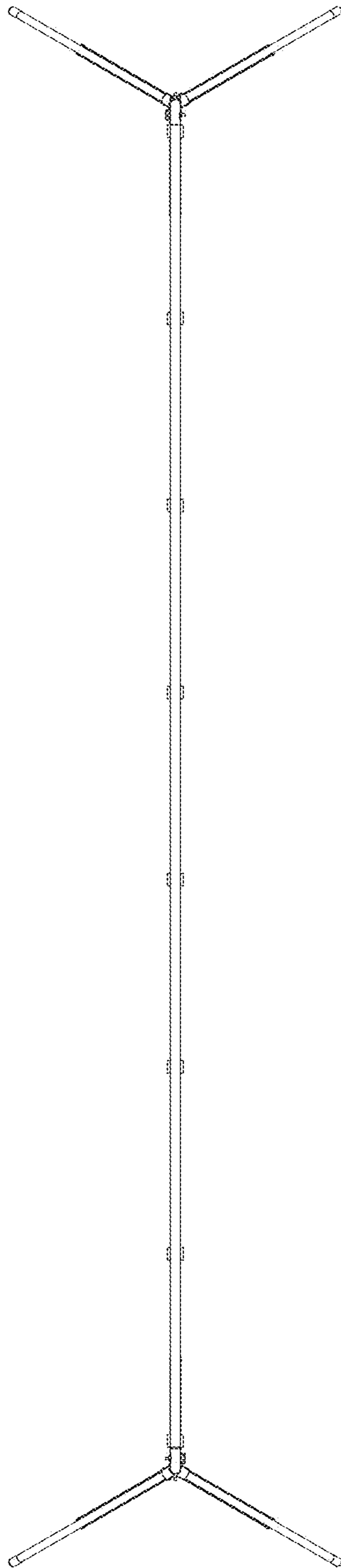


FIG. 7

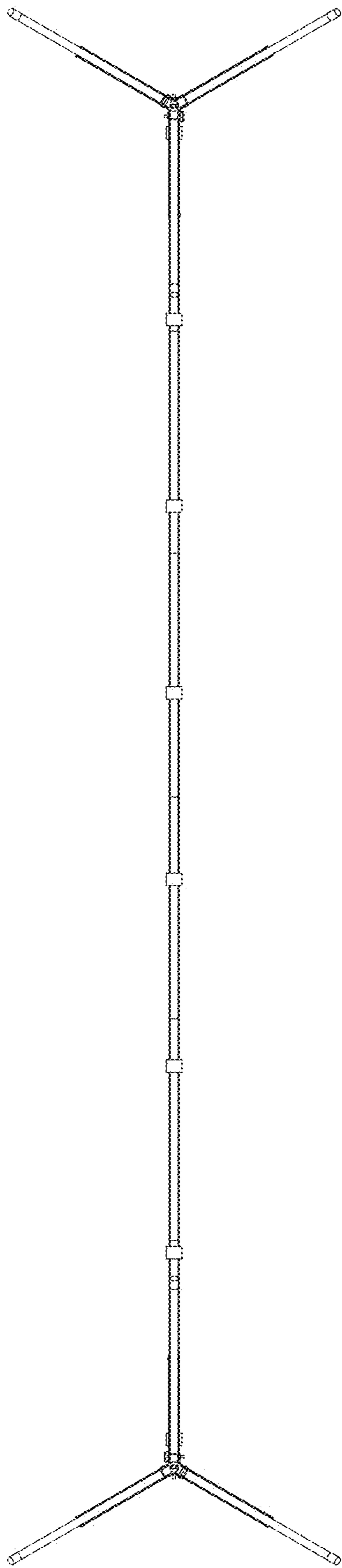


FIG. 8

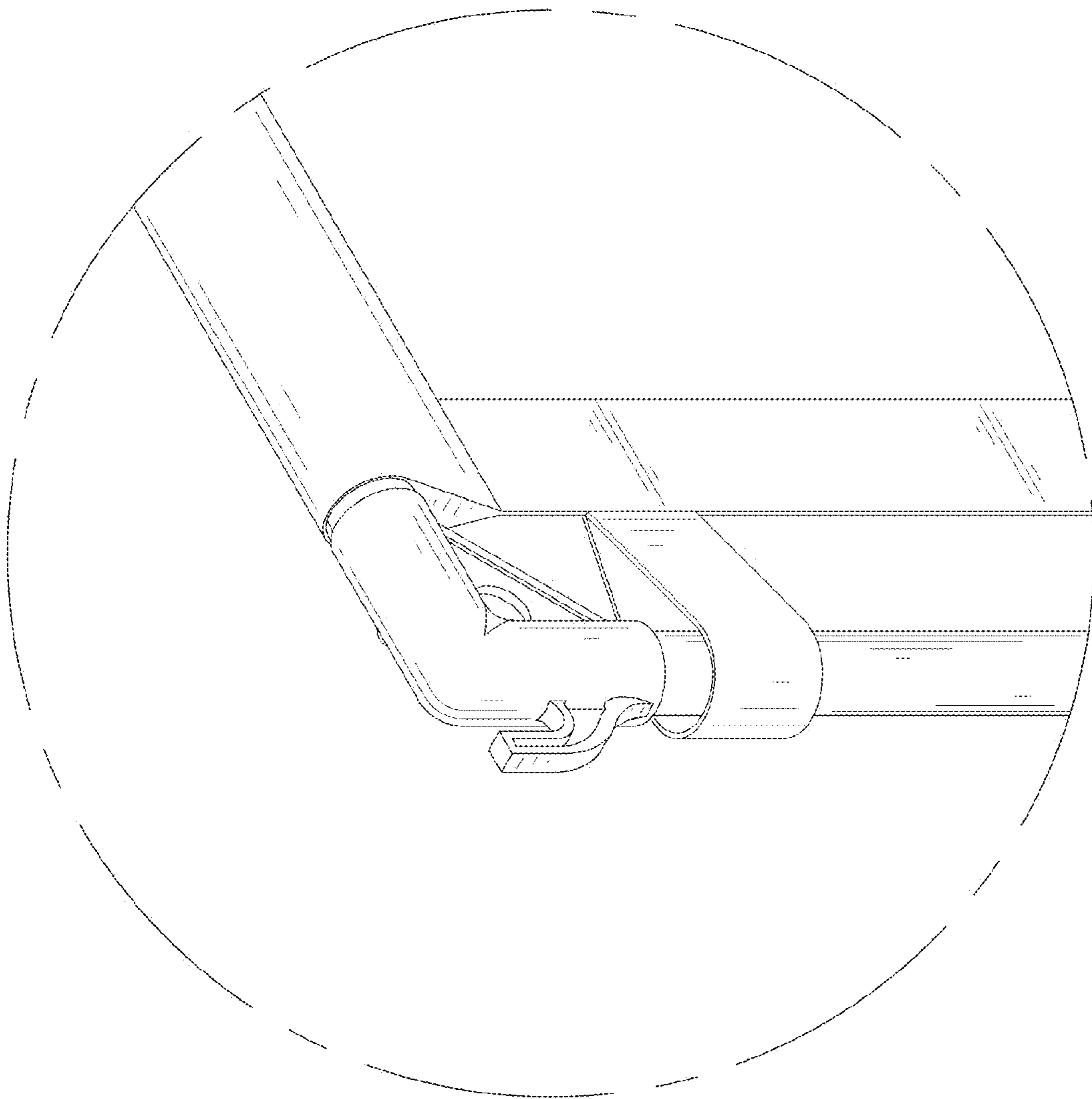


FIG. 9

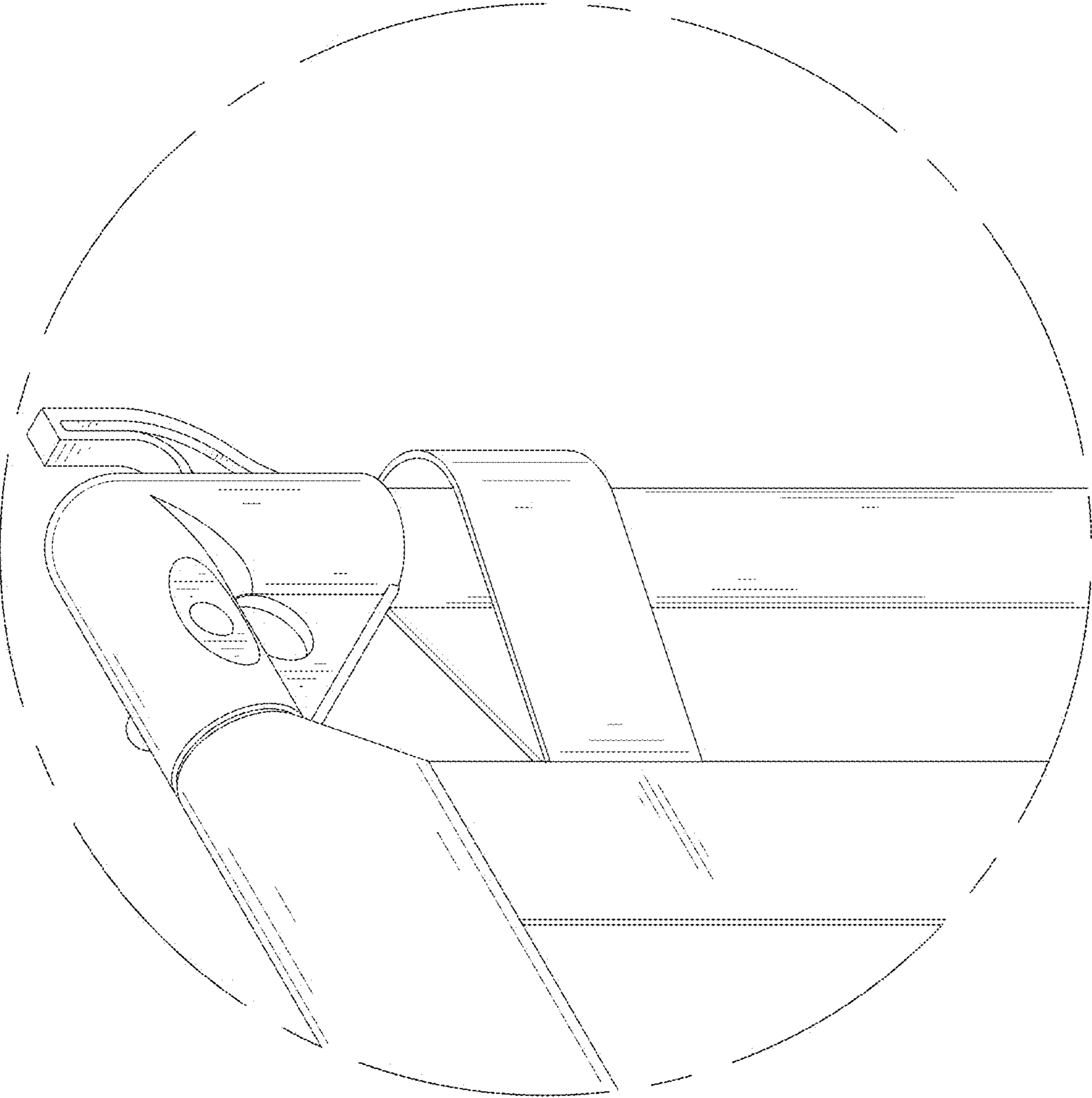


FIG. 10

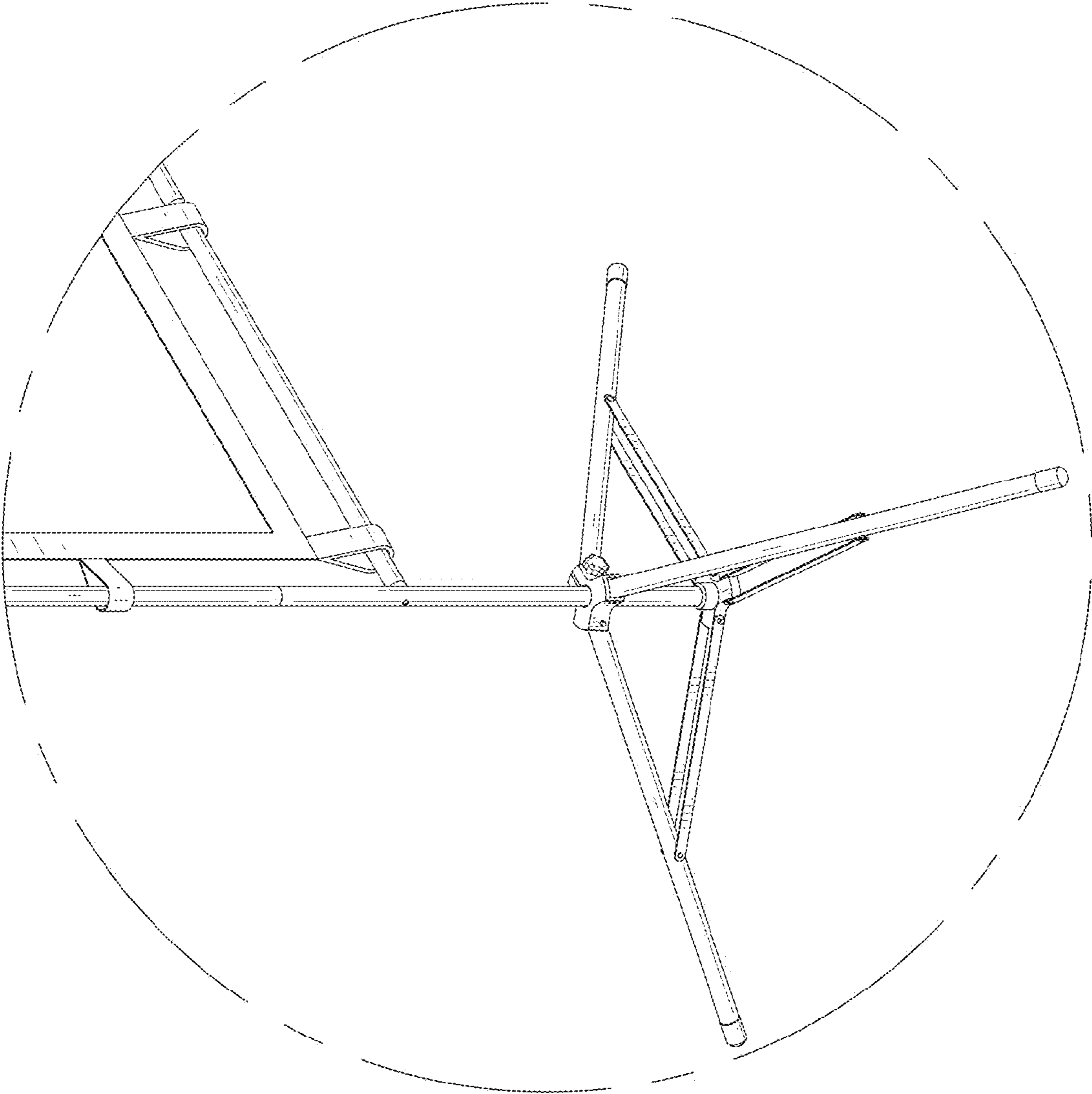


FIG. 11

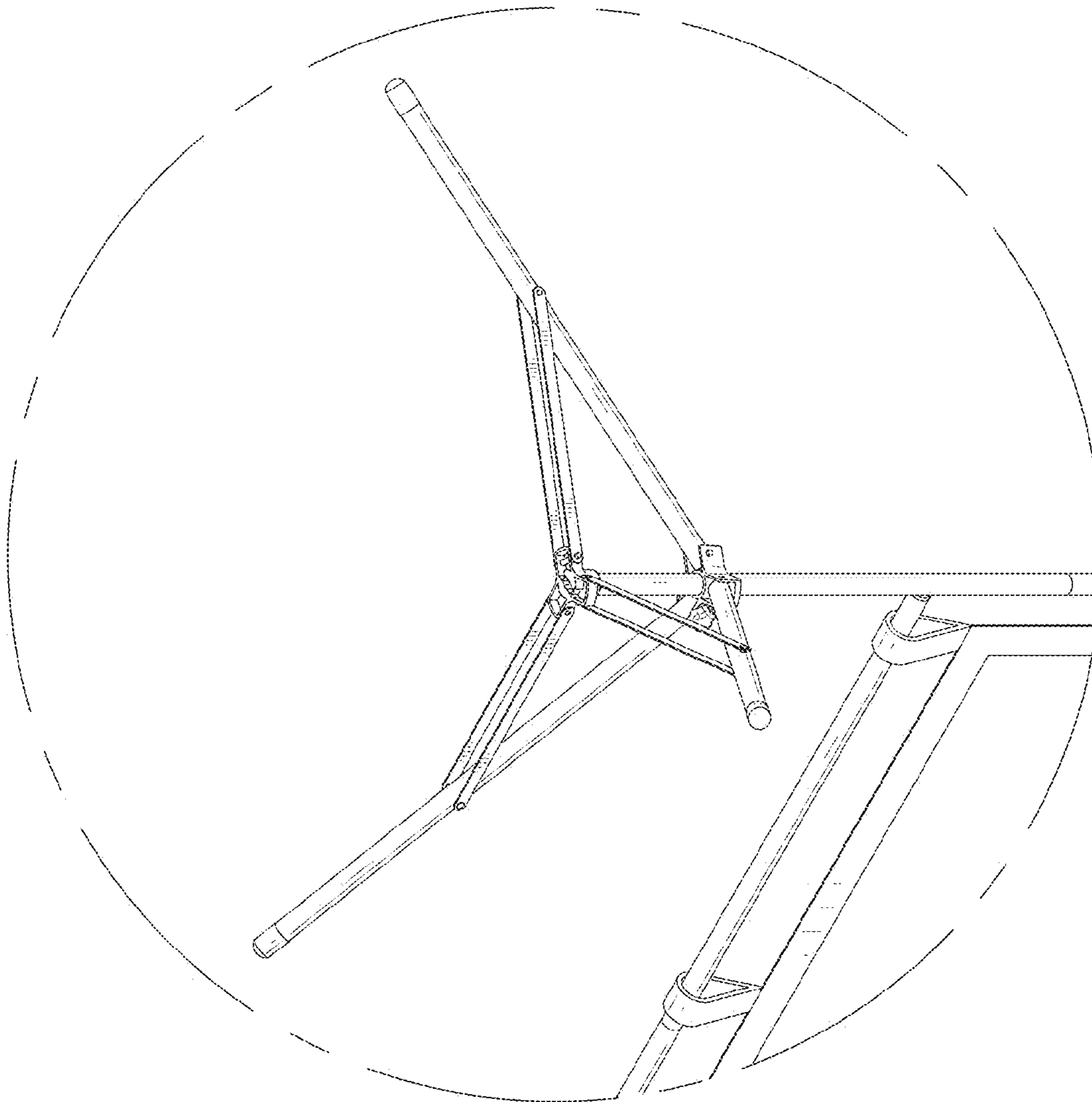


FIG. 13

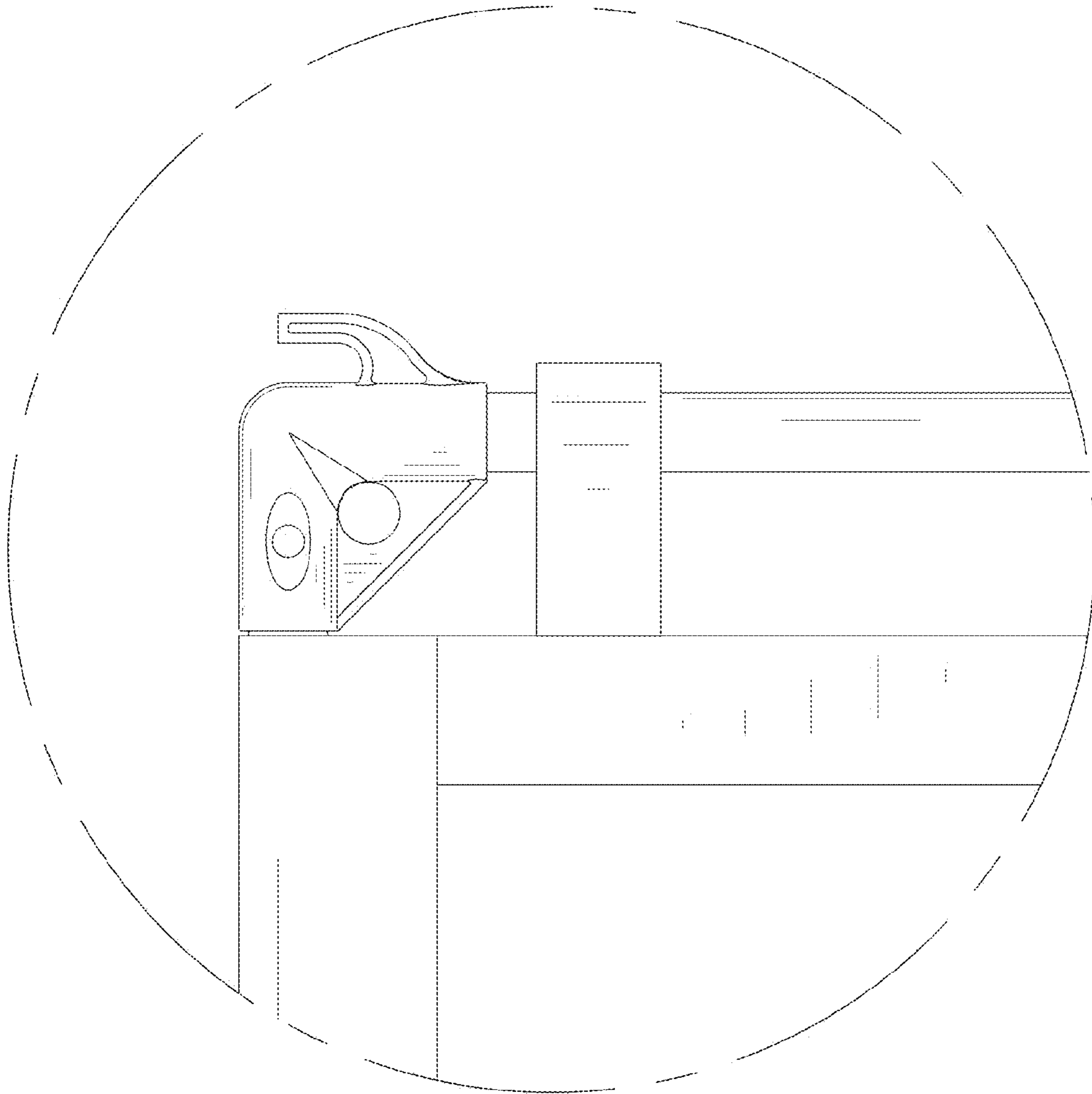


FIG. 14

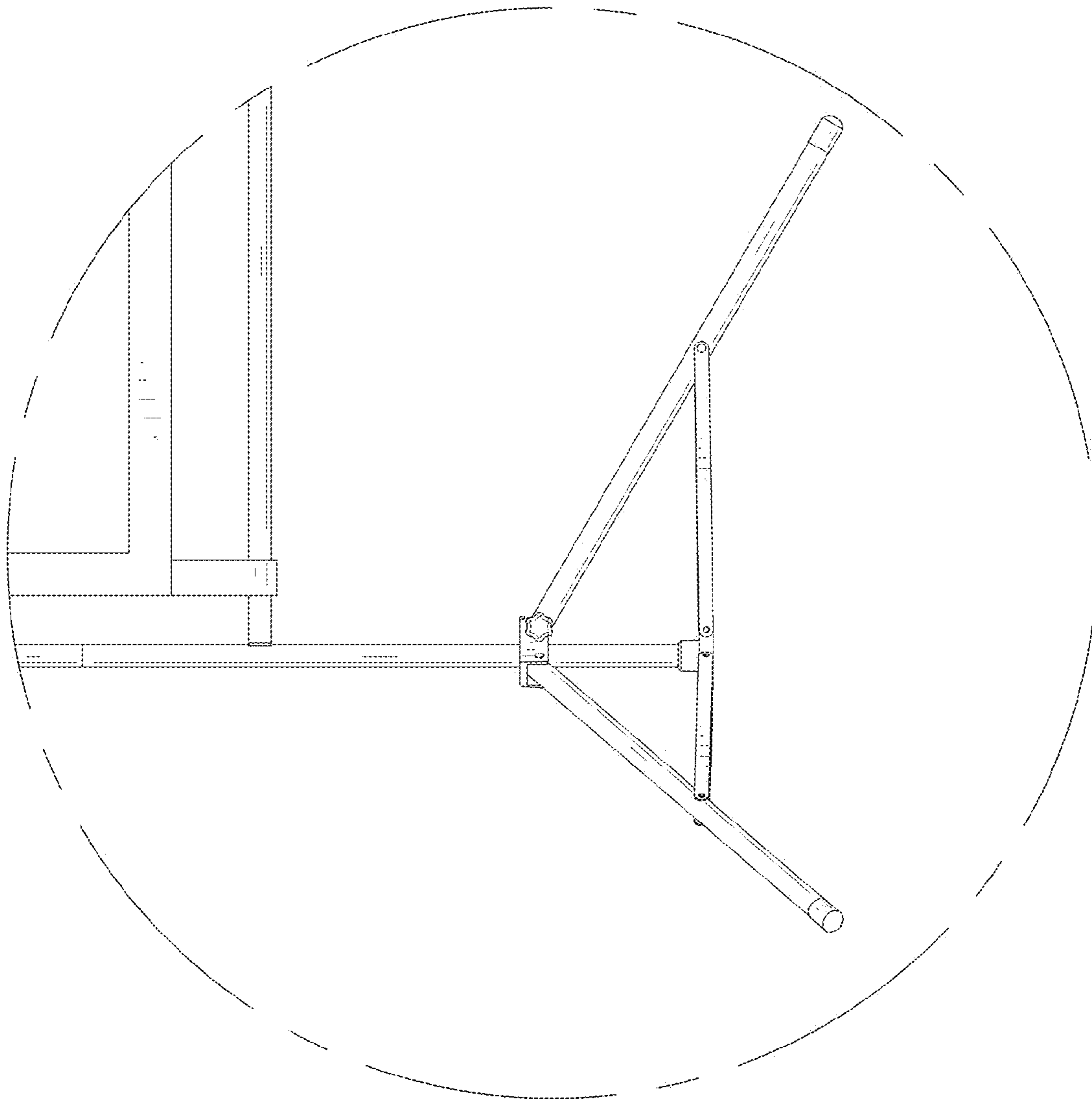


FIG. 15