



US00D898105S

(12) **United States Design Patent**
Werner et al.

(10) **Patent No.:** **US D898,105 S**

(45) **Date of Patent:** **** Oct. 6, 2020**

(54) **PROJECTOR**

(71) Applicant: **Seasonal Specialties, LLC**, Eden Prairie, MN (US)

(72) Inventors: **Christine Werner**, St. Louis Park, MN (US); **Steven Altamura**, Scarsdale, NY (US); **Yunbing Weng**, Taizhou (CN); **YongTai Chen**, WenLin (CN)

(73) Assignee: **Seasonal Specialties, LLC**, Eden Prairie, MN (US)

(**) Term: **15 Years**

(21) Appl. No.: **29/673,869**

(22) Filed: **Dec. 18, 2018**

(51) **LOC (12) Cl.** **16-02**

(52) **U.S. Cl.**
USPC **D16/225**

(58) **Field of Classification Search**
USPC D16/221, 225, 230-231, 234, 203, 205, D16/208; D21/514; 353/115, 119, 122
CPC G03B 21/00; G03B 21/001; G03B 21/003; G03B 21/12; G03B 21/145; G03B 21/14; G03B 21/142; G03B 21/16
See application file for complete search history.

(56) **References Cited**

U.S. PATENT DOCUMENTS

D518,081 S *	3/2006	Peard	D16/225
7,281,807 B2 *	10/2007	Plut	G03B 21/16 348/771
D554,685 S *	11/2007	Ishikawa	D16/221
2014/0146296 A1 *	5/2014	Tian	G03B 21/145 353/101

* cited by examiner

Primary Examiner — Wan Laymon

(74) *Attorney, Agent, or Firm* — Hamre, Schumann, Mueller & Larson, P.C.

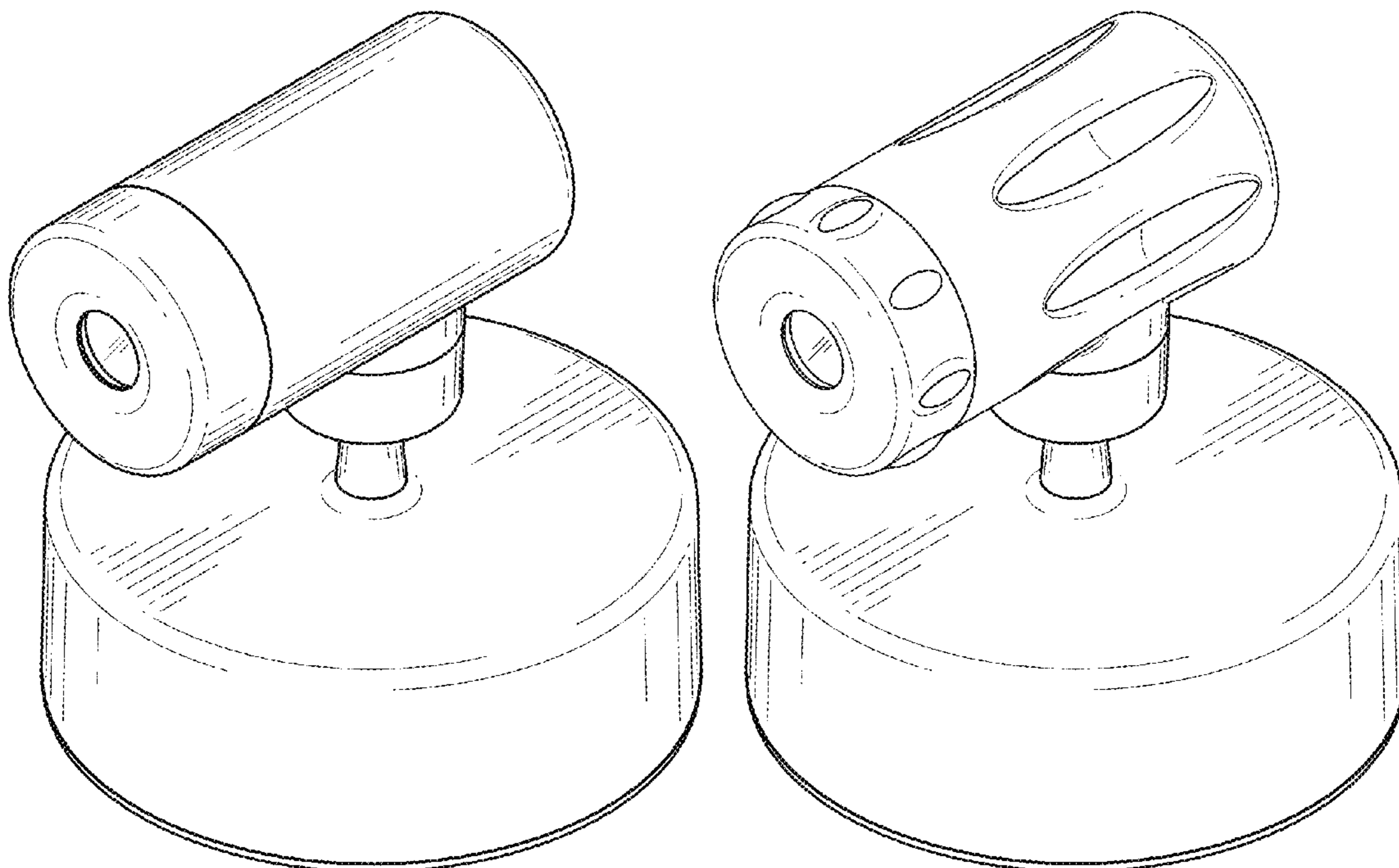
(57) **CLAIM**

The ornamental design for a projector, as shown and described.

DESCRIPTION

FIG. 1 is a top front perspective view of the projector.
 FIG. 2 is a front view of FIG. 1 thereof.
 FIG. 3 is a rear view of FIG. 1 thereof.
 FIG. 4 is a left side view of FIG. 1 thereof.
 FIG. 5 is a right view of FIG. 1 thereof.
 FIG. 6 is a top view of FIG. 1 thereof.
 FIG. 7 is a bottom view of FIG. 1 thereof.
 FIG. 8 is a top front perspective view of a second embodiment of a projector.
 FIG. 9 is a front view of FIG. 8 of the design.
 FIG. 10 is a rear view of FIG. 8 thereof.
 FIG. 11 is a left side view of FIG. 8 thereof.
 FIG. 12 is a right view of FIG. 8 thereof.
 FIG. 13 is a top view of FIG. 8 thereof; and,
 FIG. 14 is a bottom view of FIG. 8 thereof.
 The features shown in broken lines depict environmental subject matter only and form no part of the claimed design.
 The specification also includes an Appendix.

1 Claim, 8 Drawing Sheets



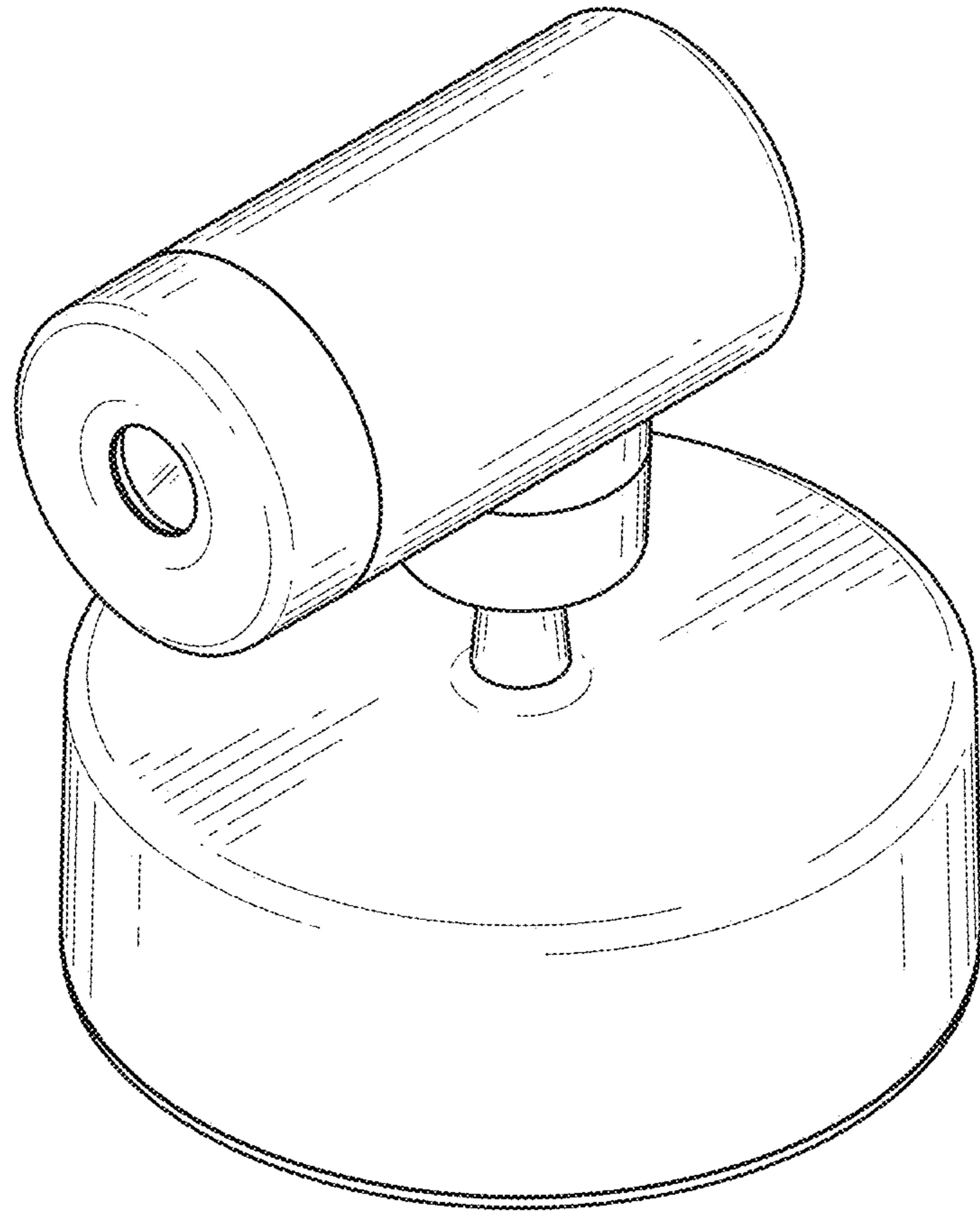


FIG. 1

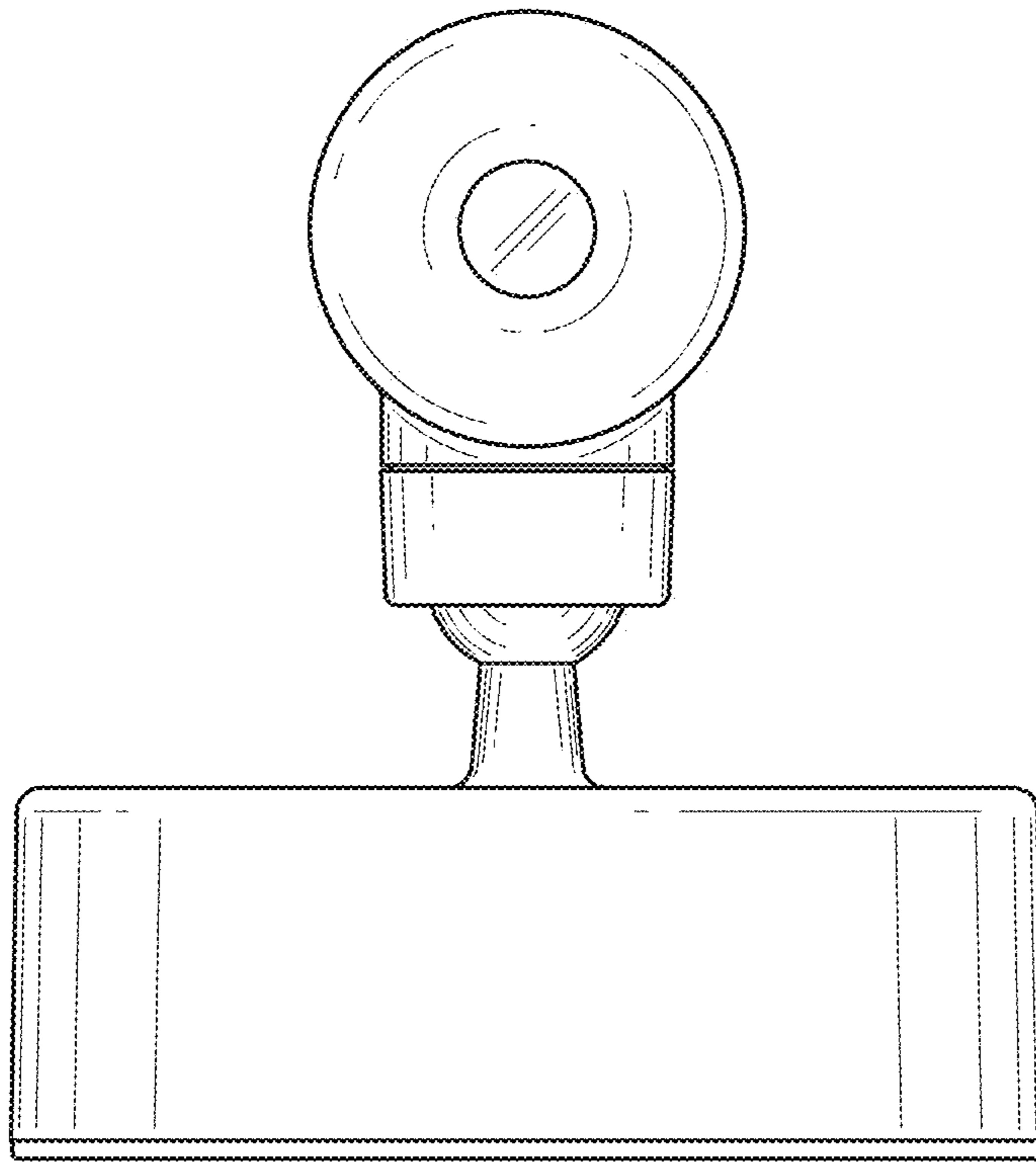


FIG. 2

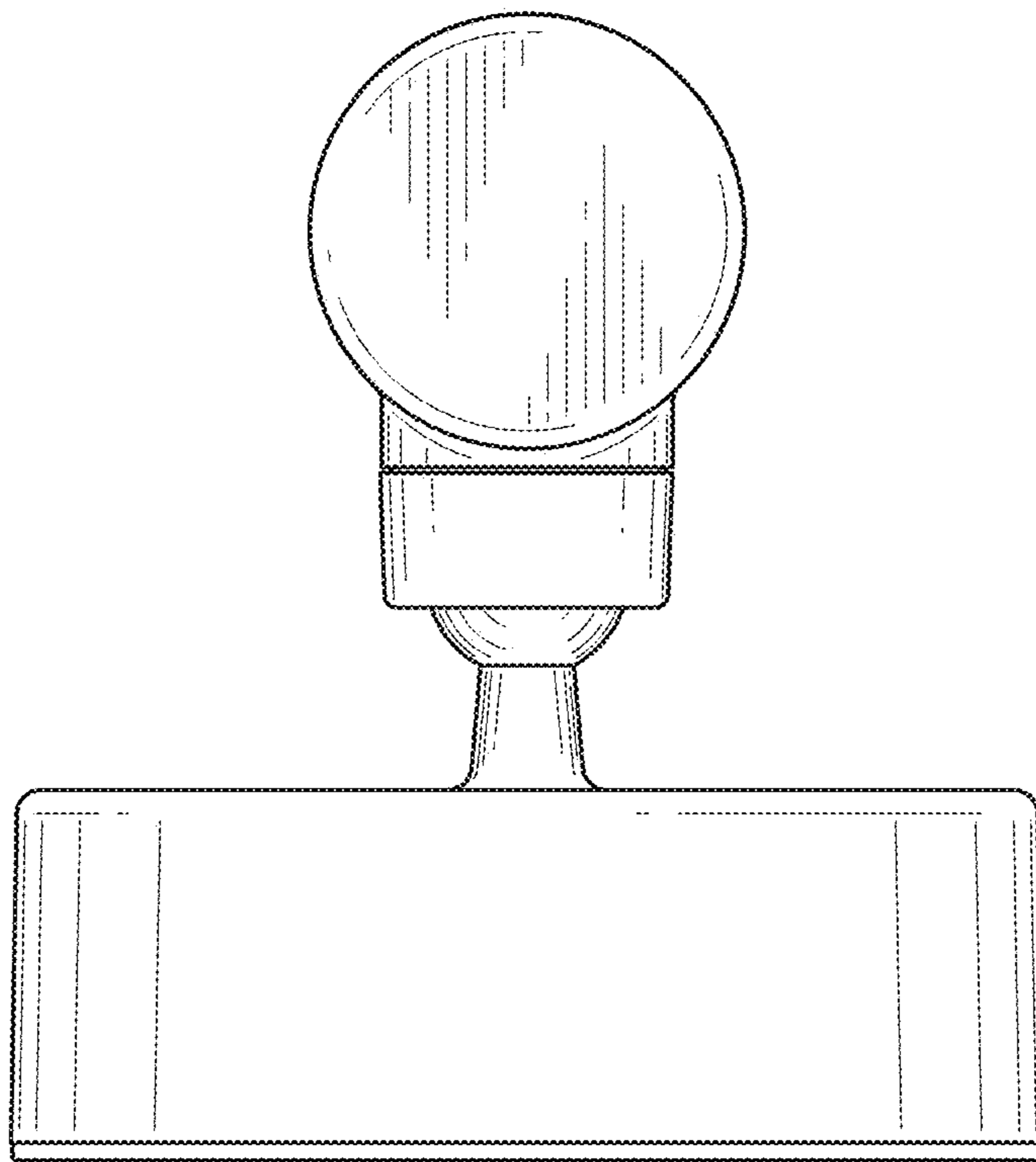


FIG. 3

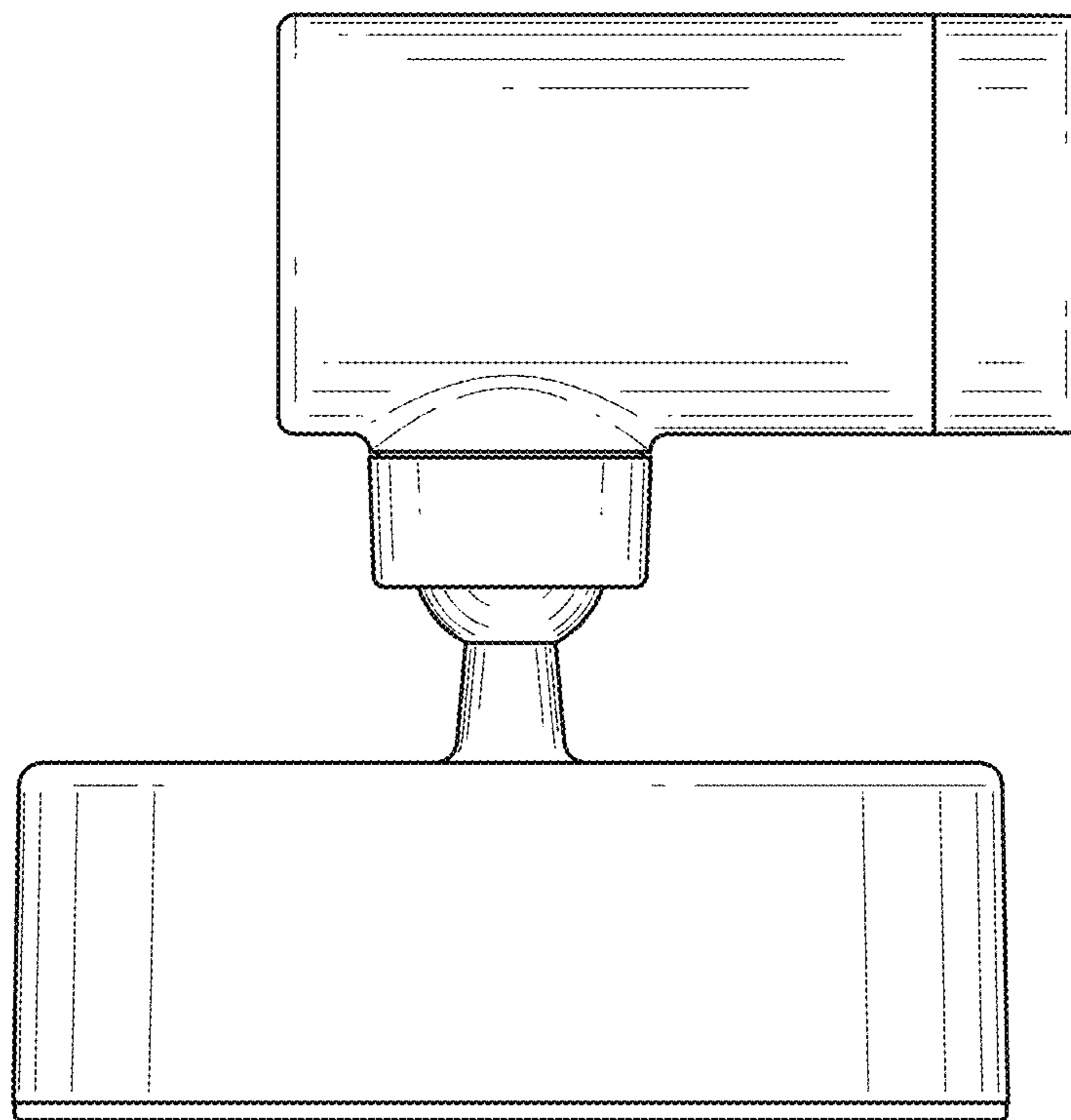


FIG. 4

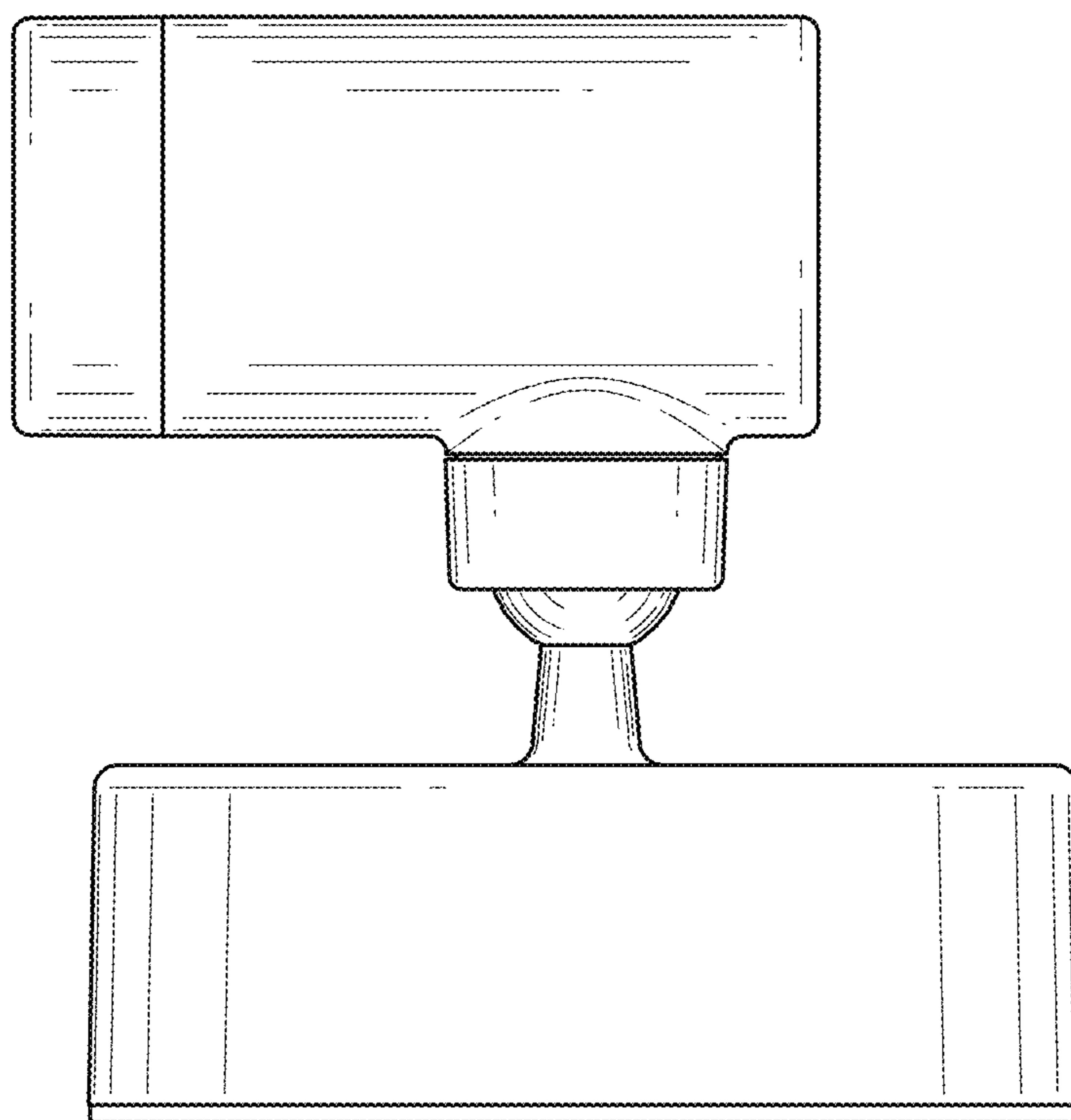


FIG. 5

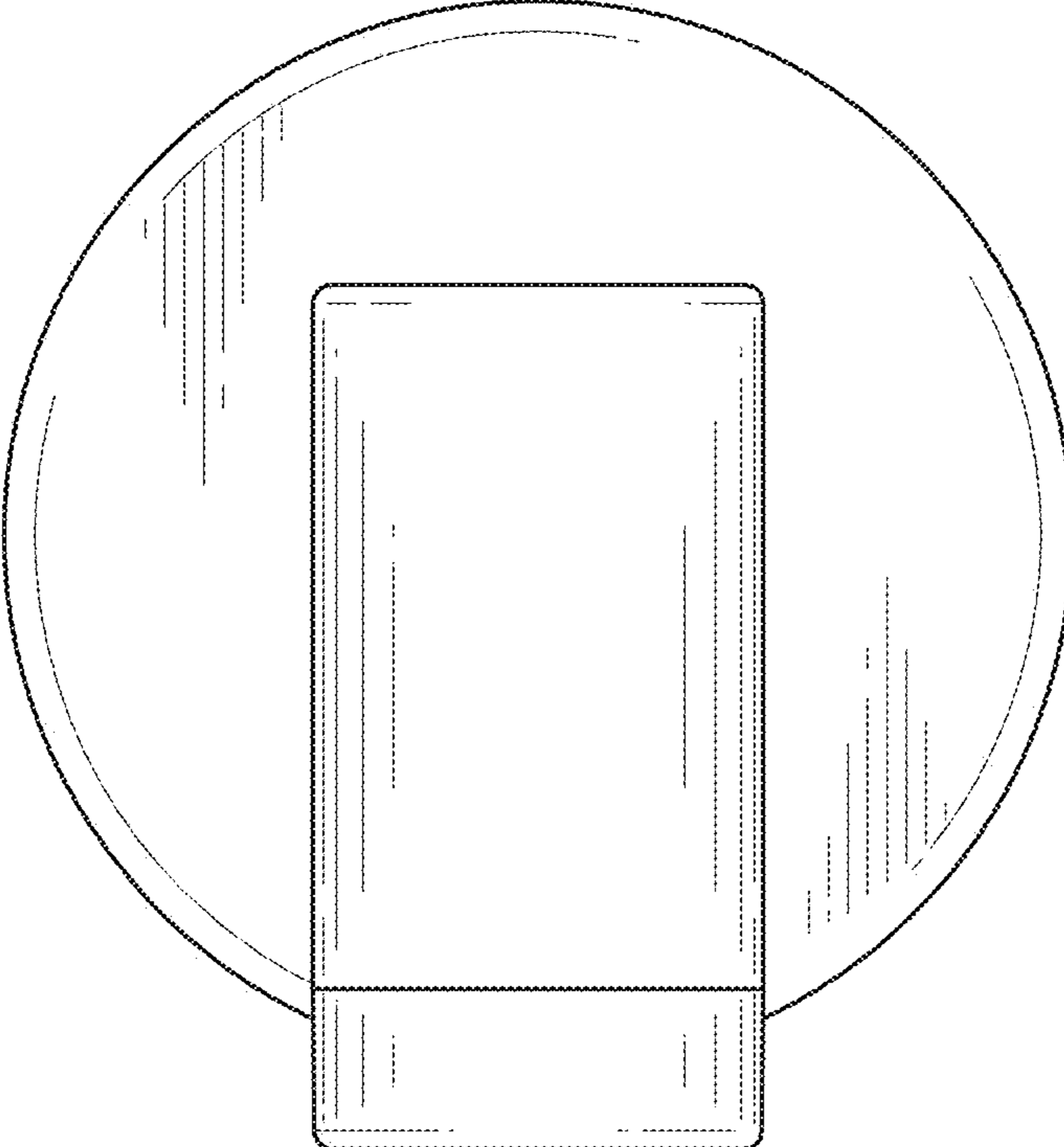


FIG. 6

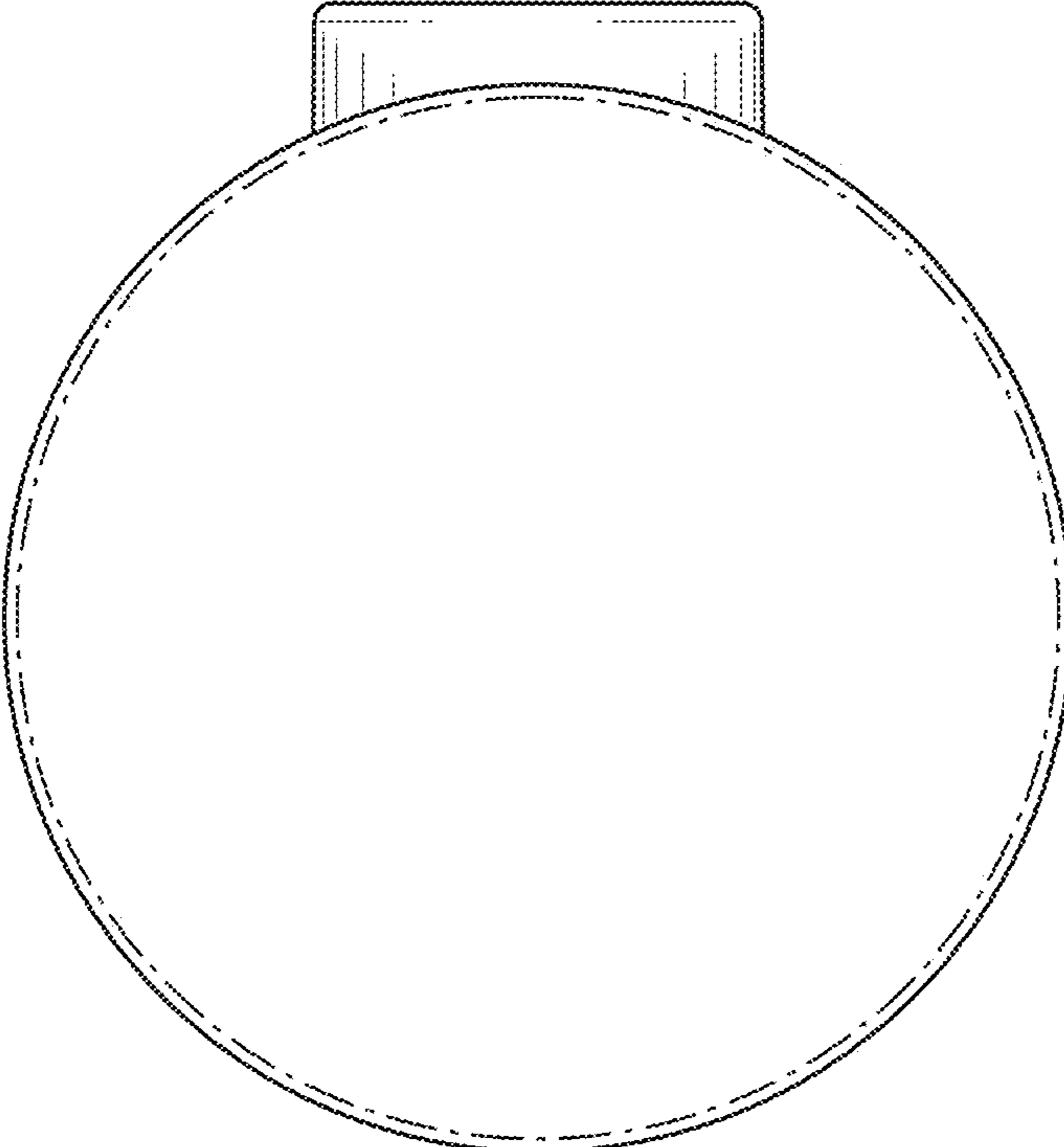


FIG. 7

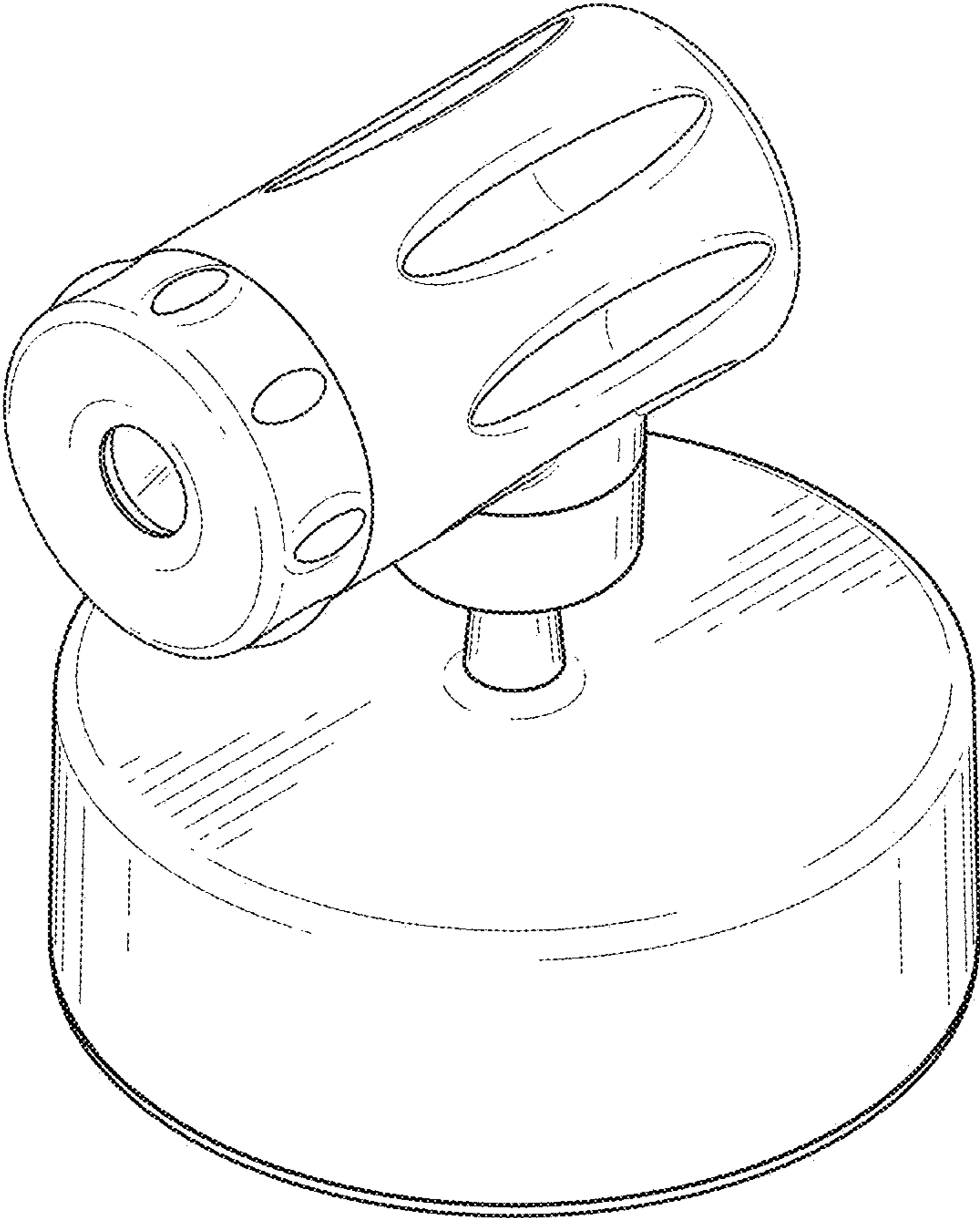


FIG. 8

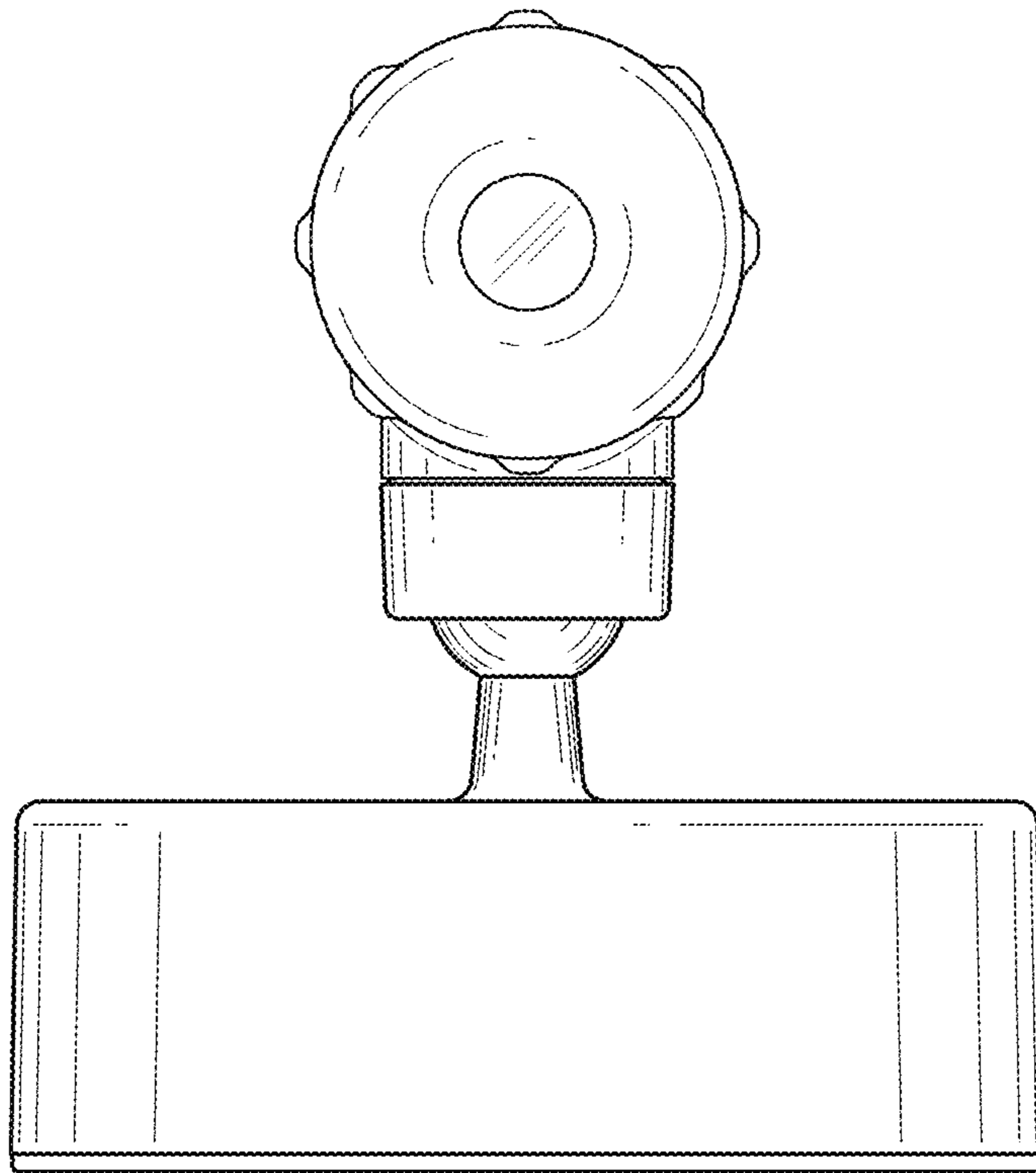


FIG. 9

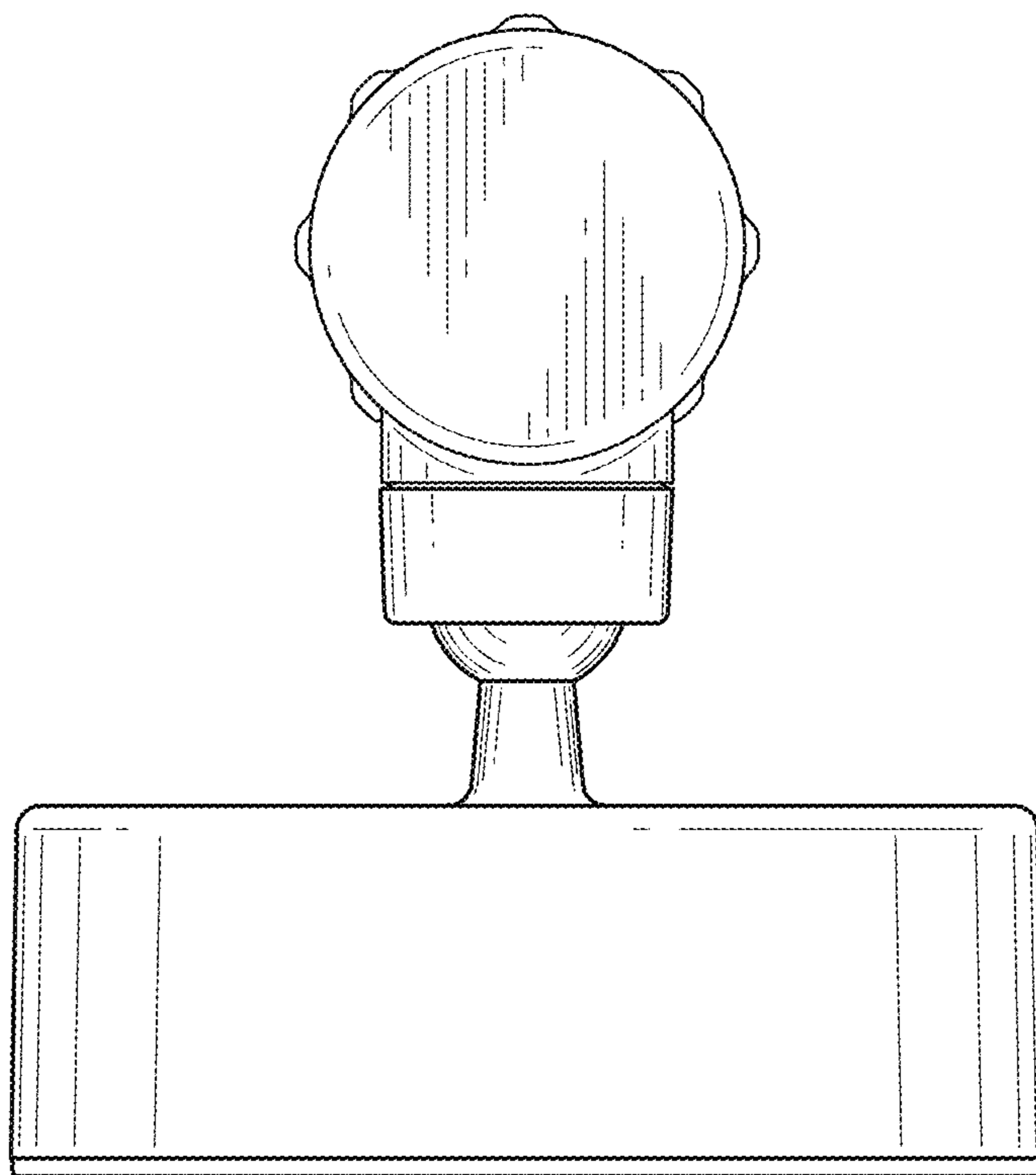


FIG. 10

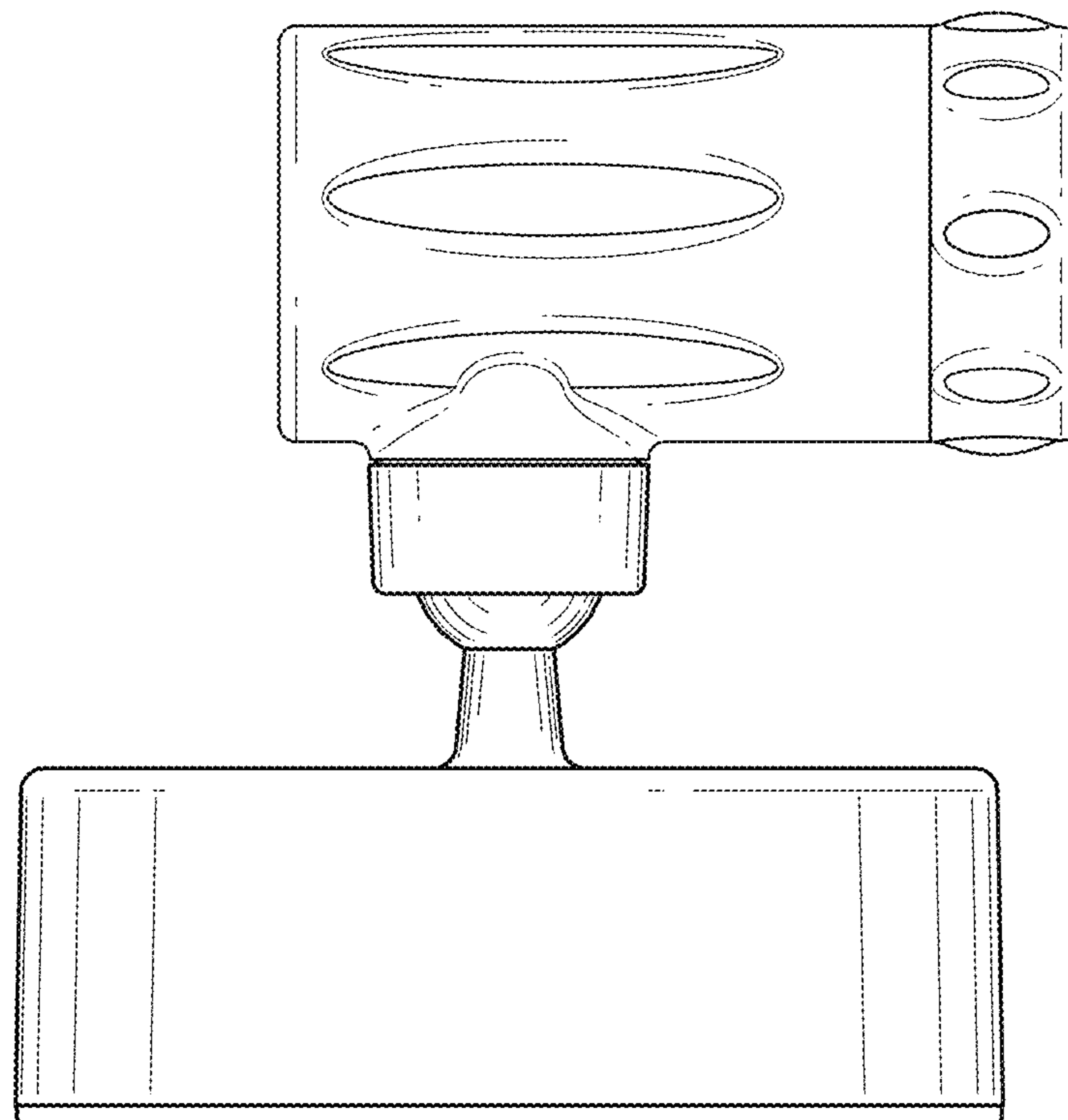


FIG. 11

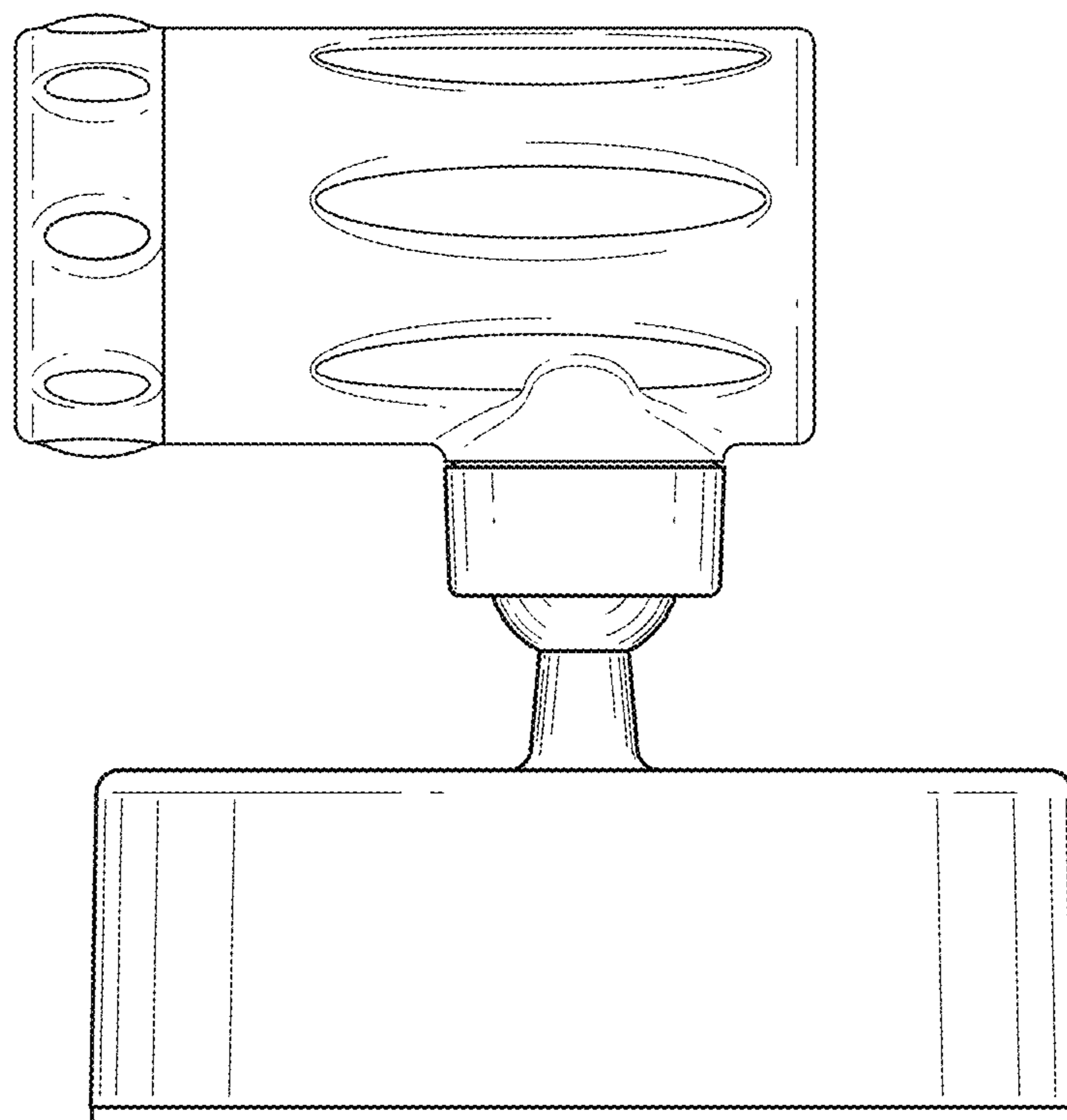


FIG. 12

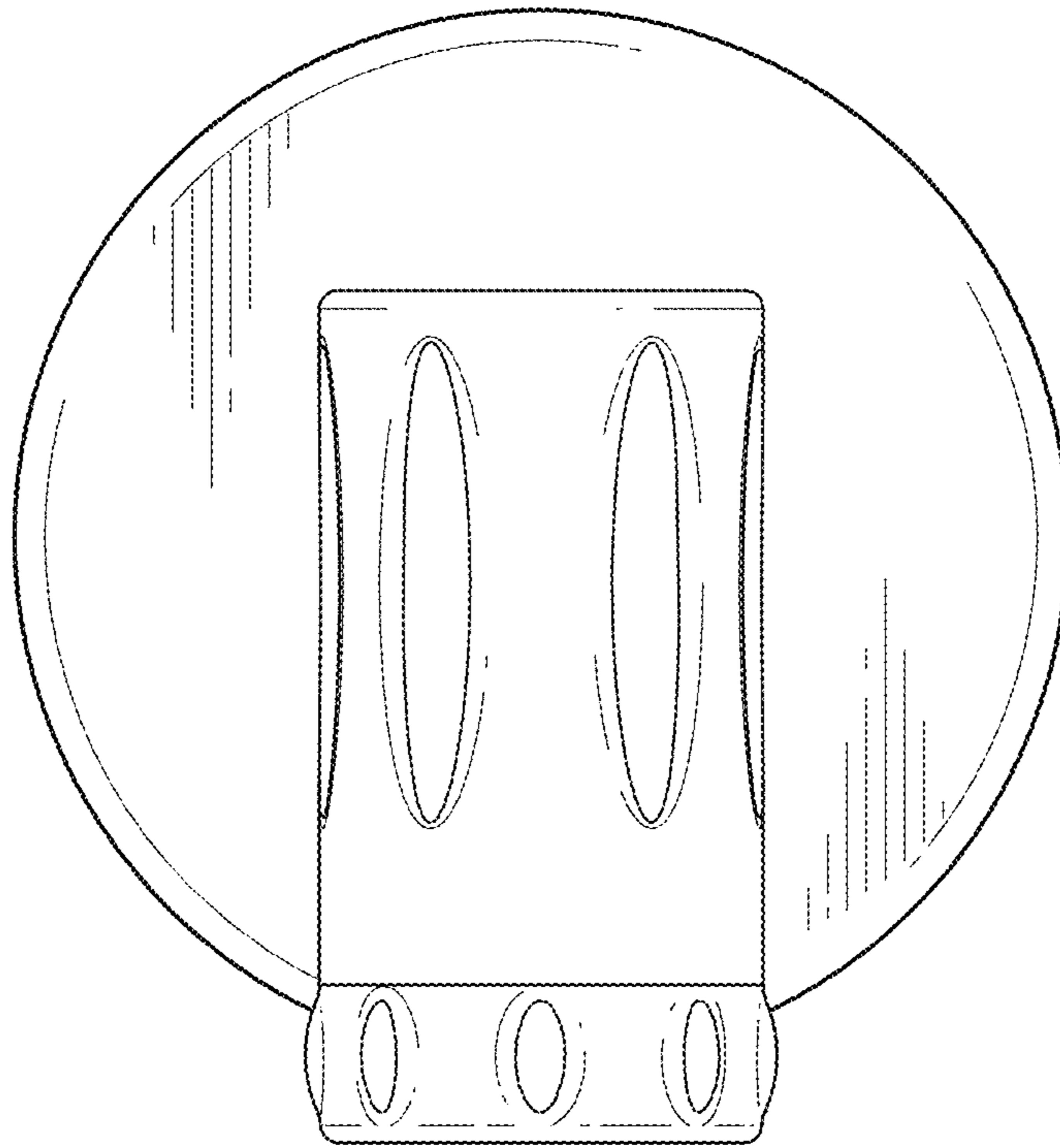


FIG. 13

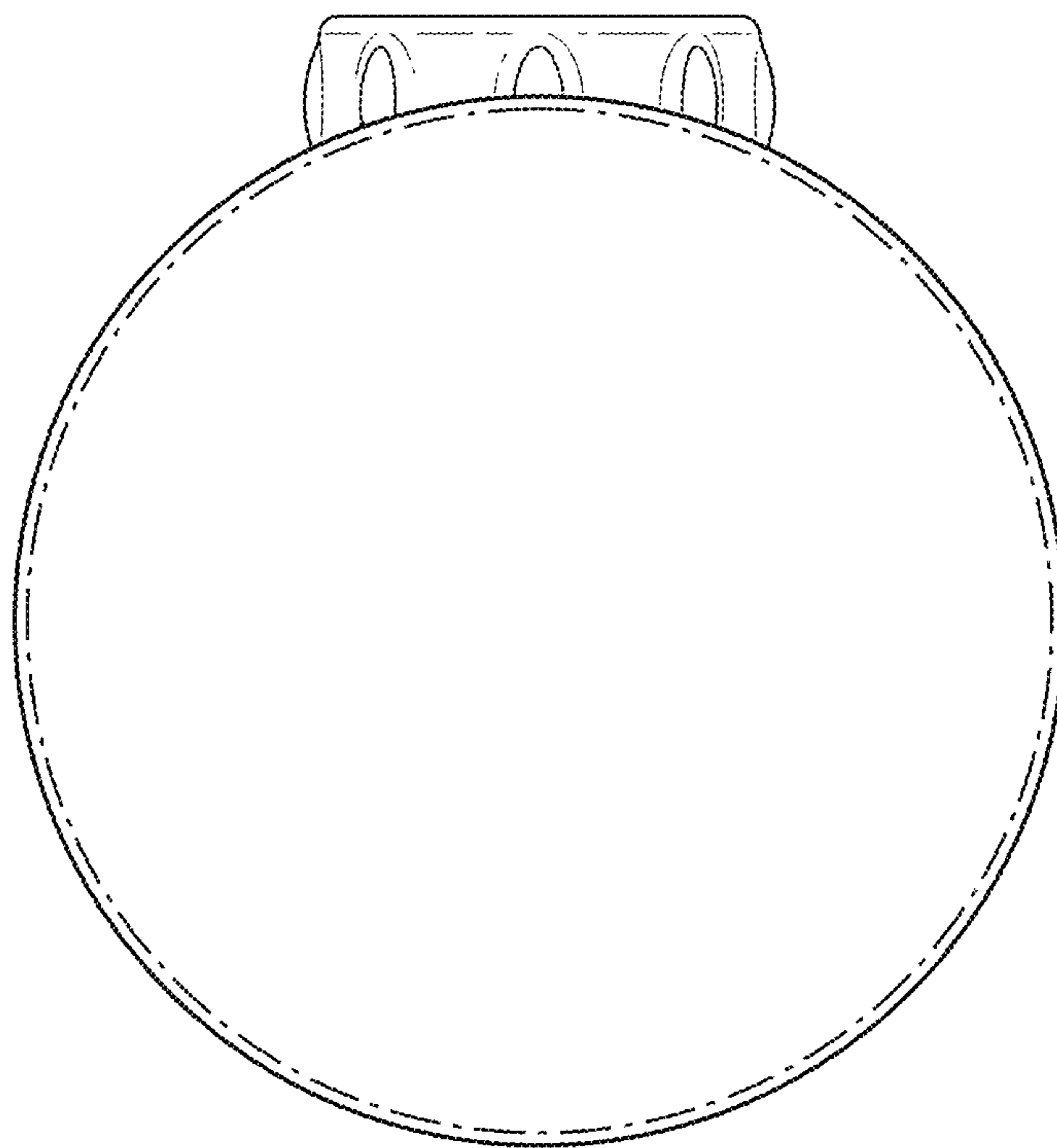


FIG. 14