



US00D898103S

(12) **United States Design Patent**  
**Nagaoka et al.**

(10) **Patent No.:** **US D898,103 S**  
(45) **Date of Patent:** **\*\* Oct. 6, 2020**

(54) **CAMERA LENS**

- (71) Applicant: **Nikon Corporation**, Tokyo (JP)
- (72) Inventors: **Koji Nagaoka**, Tokyo (JP); **Osamu Katsuda**, Tokyo (JP)
- (73) Assignee: **Nikon Corporation**, Tokyo (JP)
- (\*\*) Term: **15 Years**
- (21) Appl. No.: **29/732,926**
- (22) Filed: **Apr. 28, 2020**

**Related U.S. Application Data**

- (63) Continuation-in-part of application No. 29/642,041, filed on Mar. 27, 2018, now Pat. No. Des. 885,462.

(30) **Foreign Application Priority Data**

Sep. 27, 2017	(JP)	.....	2017-021209
Sep. 27, 2017	(JP)	.....	2017-021210
Sep. 27, 2017	(JP)	.....	2017-021211
Sep. 27, 2017	(JP)	.....	2017-021212
Sep. 27, 2017	(JP)	.....	2017-021213
Sep. 27, 2017	(JP)	.....	2017-021217

- (51) **LOC (12) Cl.** ..... **16-05**
- (52) **U.S. Cl.**  
USPC ..... **D16/219**

- (58) **Field of Classification Search**  
USPC ..... D16/134, 136, 200, 202-205, 218, 219;  
348/373-376; 359/826-828; 396/25,  
396/505, 529-532, 535, 539-541  
(Continued)

(56) **References Cited**

**U.S. PATENT DOCUMENTS**

- D546,363 S 7/2007 Tokiwa et al.
  - D546,863 S 7/2007 Ito et al.
- (Continued)

**FOREIGN PATENT DOCUMENTS**

- JP S60-39212 B2 9/1985
  - JP 992668-003 S 2/1999
- (Continued)

**OTHER PUBLICATIONS**

U.S. Appl. No. 29/642,041, filed Mar. 27, 2018, Nagaoka et al.  
(Continued)

*Primary Examiner* — Ramzi S Almatrahi  
(74) *Attorney, Agent, or Firm* — Wolf, Greenfield & Sacks, P.C.

(57) **CLAIM**

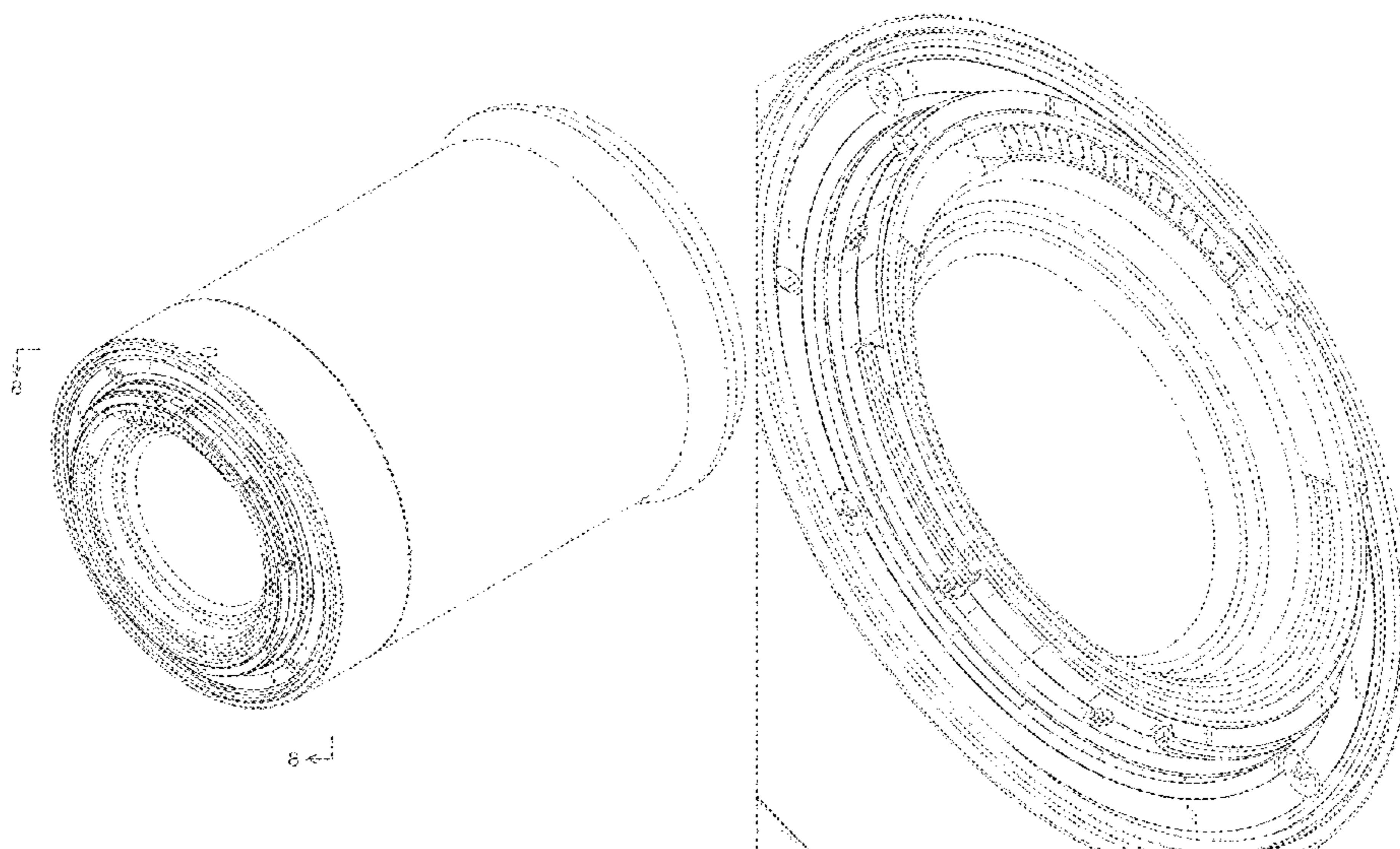
The ornamental design for a camera lens, as shown and described.

**DESCRIPTION**

FIG. 1 is a rear, top and right side perspective view of a camera lens showing our new design;  
 FIG. 2 is a front, bottom and right side perspective view thereof;  
 FIG. 3 is a front view thereof;  
 FIG. 4 is a rear view thereof;  
 FIG. 5 is a top plan view thereof;  
 FIG. 6 is a bottom plan view thereof;  
 FIG. 7 is a right side view thereof;  
 FIG. 8 is an enlarged view showing a portion defined by lines 8-8 in FIG. 1; and,  
 FIG. 9 is an enlarged view showing a portion defined by lines 9-9 in FIG. 2.

The broken lines illustrate portions of the camera lens that form no part of the claimed design. The dash-dotted lines denote the boundary of the claim and form no part of the claimed design.

**1 Claim, 9 Drawing Sheets**



(58) **Field of Classification Search**

CPC ..... G03B 17/02; G03B 19/04; G03B 17/56;  
 G03B 17/04; G03B 15/03; G03B 17/14;  
 H04N 5/2251; H04N 5/2252; H04N  
 5/2253; H04N 5/2254; G02B 7/02; G02B  
 7/04; G02B 7/14

See application file for complete search history.

(56) **References Cited**

U.S. PATENT DOCUMENTS

D549,264 S	8/2007	Tokiwa	
D631,496 S	1/2011	Tainaka	
7,988,372 B2	8/2011	Lee et al.	
D648,363 S	11/2011	Takagi et al.	
D657,408 S	4/2012	Tainaka	
D670,751 S	11/2012	Koyama et al.	
D671,976 S	12/2012	Akita et al.	
D676,475 S	2/2013	Tainaka	
D681,090 S	4/2013	Tainaka	
D681,710 S	5/2013	Sato	
D688,292 S	8/2013	Koyama et al.	
D692,475 S	10/2013	Hasuda	
D695,807 S	12/2013	Tainaka	
D695,808 S	12/2013	Takahashi	
D696,709 S	12/2013	Sato	
D698,838 S	2/2014	Tainaka	
D698,839 S	2/2014	Sato	
D698,842 S	2/2014	Hasuda	
D698,843 S	2/2014	Hasuda	
D698,844 S	2/2014	Hasuda	
D699,773 S	2/2014	Hasuda	
D705,335 S	5/2014	Oikawa et al.	
D705,841 S	5/2014	Hasuda	
D706,326 S	6/2014	Hasuda	
D706,853 S	6/2014	Hasuda	
D718,361 S	11/2014	Noh	
D721,117 S	1/2015	Hasuda	
D726,240 S	4/2015	Oikawa et al.	
D727,989 S	4/2015	Hasuda	
D727,994 S	4/2015	Hasuda	
D729,862 S *	5/2015	Awazu .....	D16/219
D731,577 S	6/2015	Hasuda	

D732,101 S	6/2015	Hasuda	
D732,102 S	6/2015	Hasuda	
D741,938 S *	10/2015	Lee .....	D16/219
D745,591 S	12/2015	Oh	
D750,152 S	2/2016	Awazu et al.	
D776,742 S	1/2017	Awazu et al.	
D780,822 S	3/2017	Awazu et al.	
D786,954 S *	5/2017	Tagawa .....	D16/219
D822,750 S	7/2018	Yoon	
D822,751 S *	7/2018	Kim .....	D16/219
D831,093 S	10/2018	Tokiwa et al.	
D837,276 S *	1/2019	Ikegame .....	D16/219
D837,277 S *	1/2019	Ikegame .....	D16/219
D838,765 S	1/2019	Tokiwa et al.	
D838,766 S *	1/2019	Tokiwa .....	D16/219
D870,185 S *	12/2019	Nagaoka .....	D16/219
D873,327 S *	1/2020	Weber .....	D16/219
2013/0265664 A1 *	10/2013	Iinuma .....	G03B 17/48 359/828

FOREIGN PATENT DOCUMENTS

JP	992668-004 S	2/1999
JP	3511229 B2	3/2004

OTHER PUBLICATIONS

Office Action for U.S. Appl. No. 29/642,048, dated Jan. 30, 2019.  
 [No Author Listed] Leica Updates Firmware for Its S Type 006  
 Camera—Download Version 2.4.0.0. SoftNews Net SRL. [https://  
 drivers.softpedia.com/blog/Leica-Updates-Firmware-for-Its-S-Type-  
 006-Camera-Download-Version-2-4-0-0-459046.shtml](https://drivers.softpedia.com/blog/Leica-Updates-Firmware-for-Its-S-Type-006-Camera-Download-Version-2-4-0-0-459046.shtml), 5 pages, Sep.  
 17, 2014.  
 [No Author Listed] The first full-frame mirrorless camera from  
 Leica “Leica SL.” Impress Corporation. [https://dc.watch.impress.  
 co.jp/docs/news/726618.html](https://dc.watch.impress.co.jp/docs/news/726618.html), 12 pages, Oct. 21, 2015.  
 [No Author Listed] The Lens Mount Guide: Part 1. KEH Camera.  
<http://blog.keh.com/the-lens-mount-guide-part-1/>, 12 pages, Dec. 2,  
 2011.  
 [No Author Listed] The Lens Mount Guide: Part 3. KEH Camera.  
<http://blog.keh.com/the-lens-mount-guide-part-3/>, 12 pages, Dec.  
 16, 2011.

\* cited by examiner

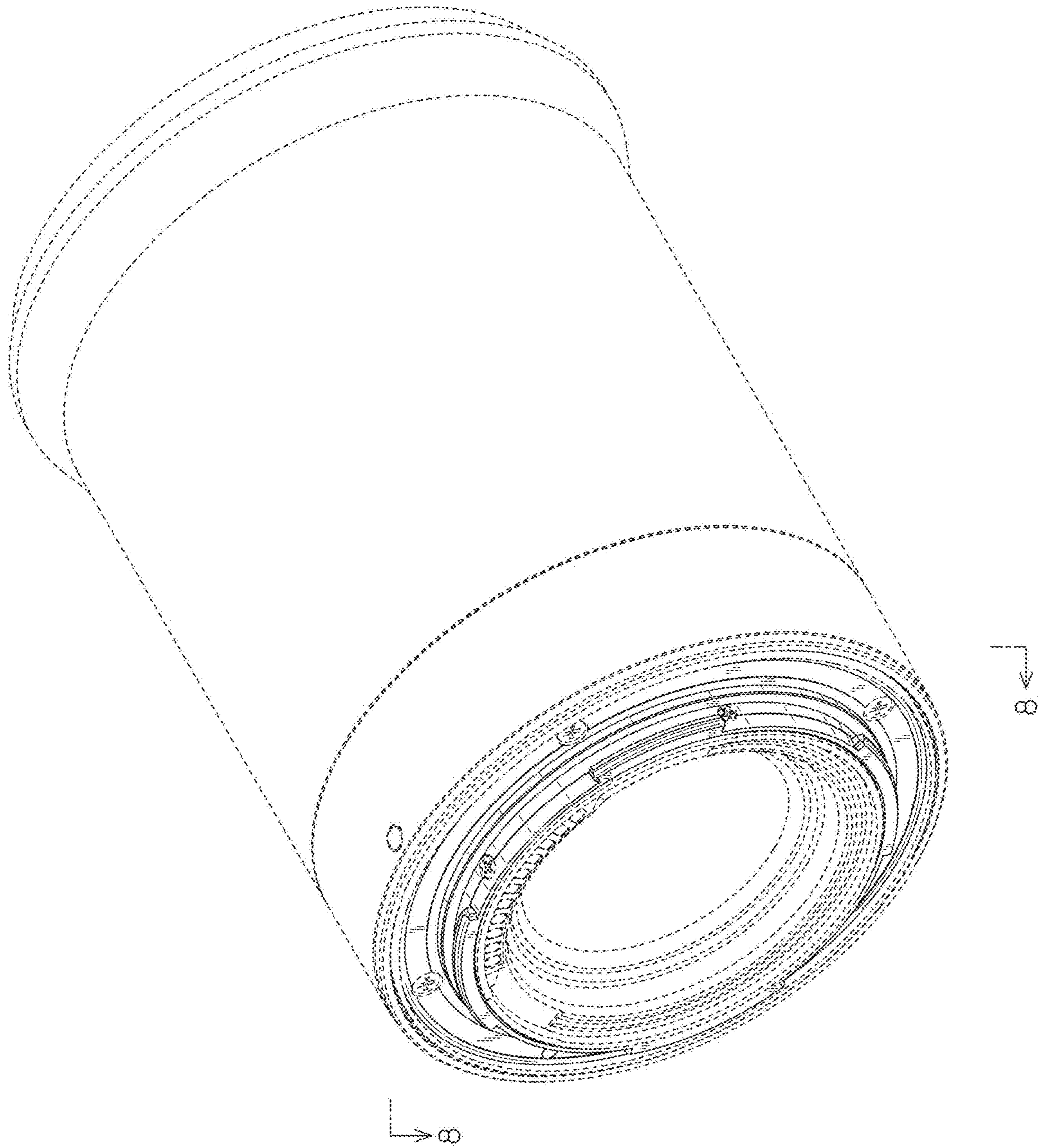


FIG. 1

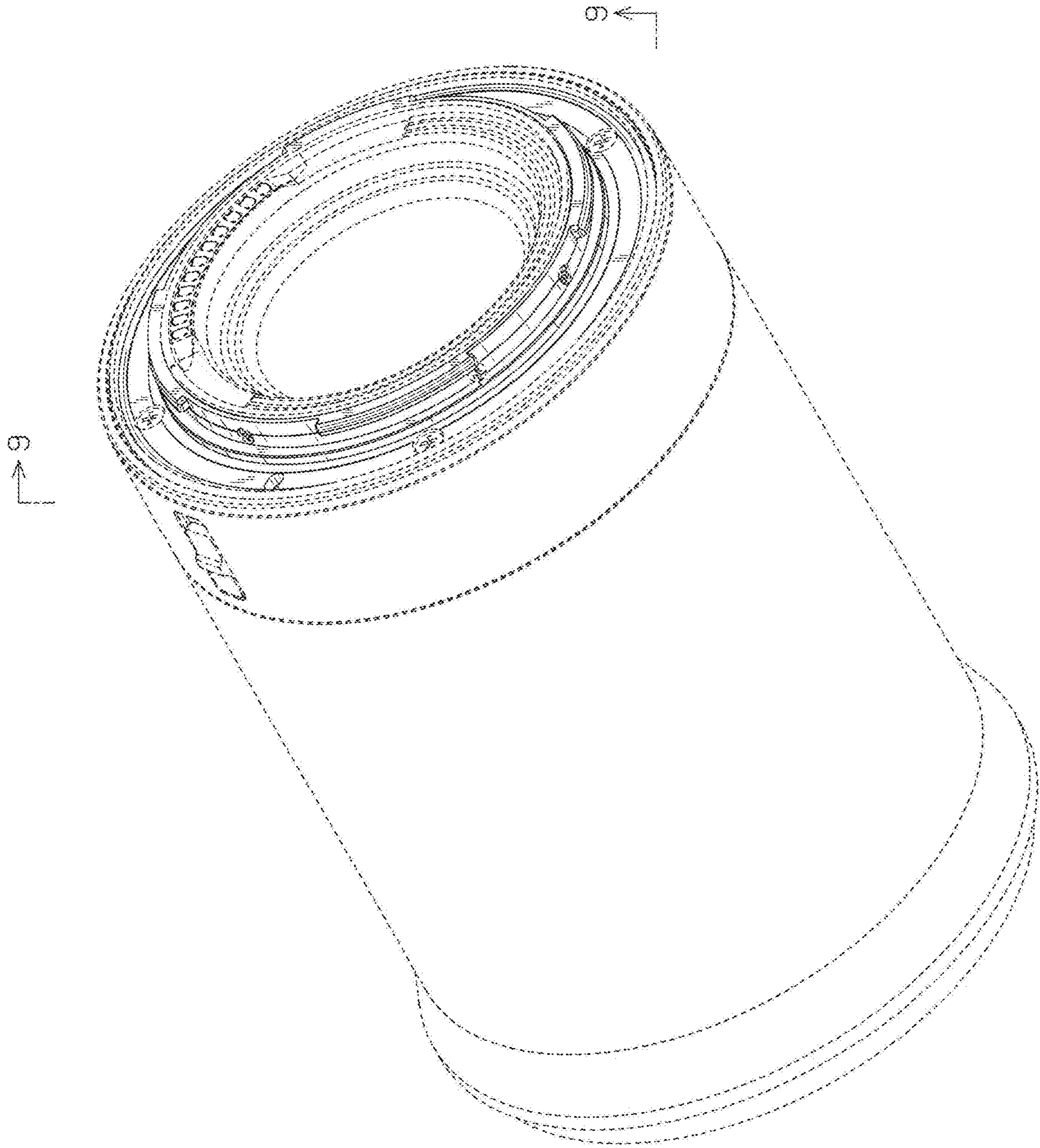


FIG. 2

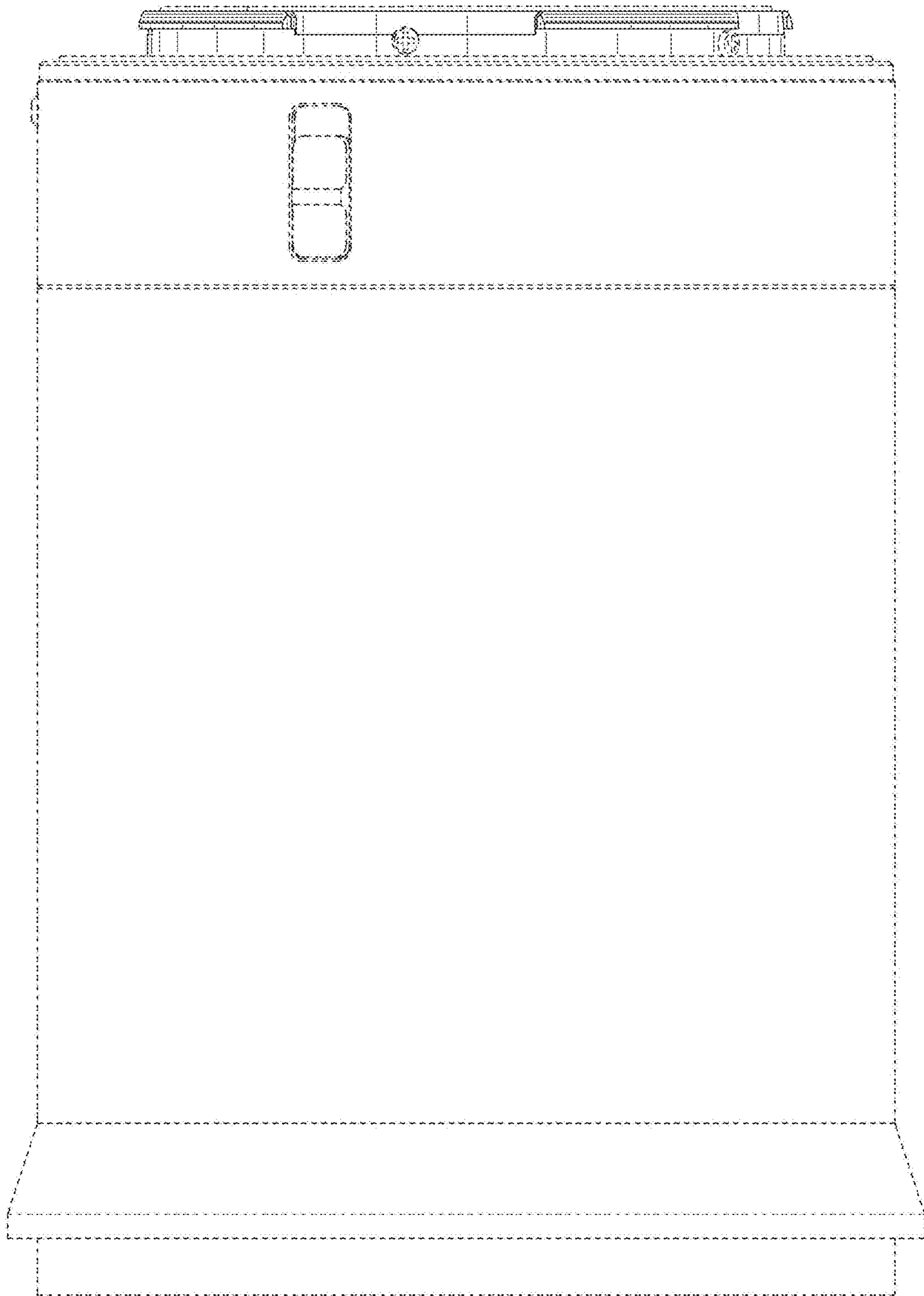


FIG. 3

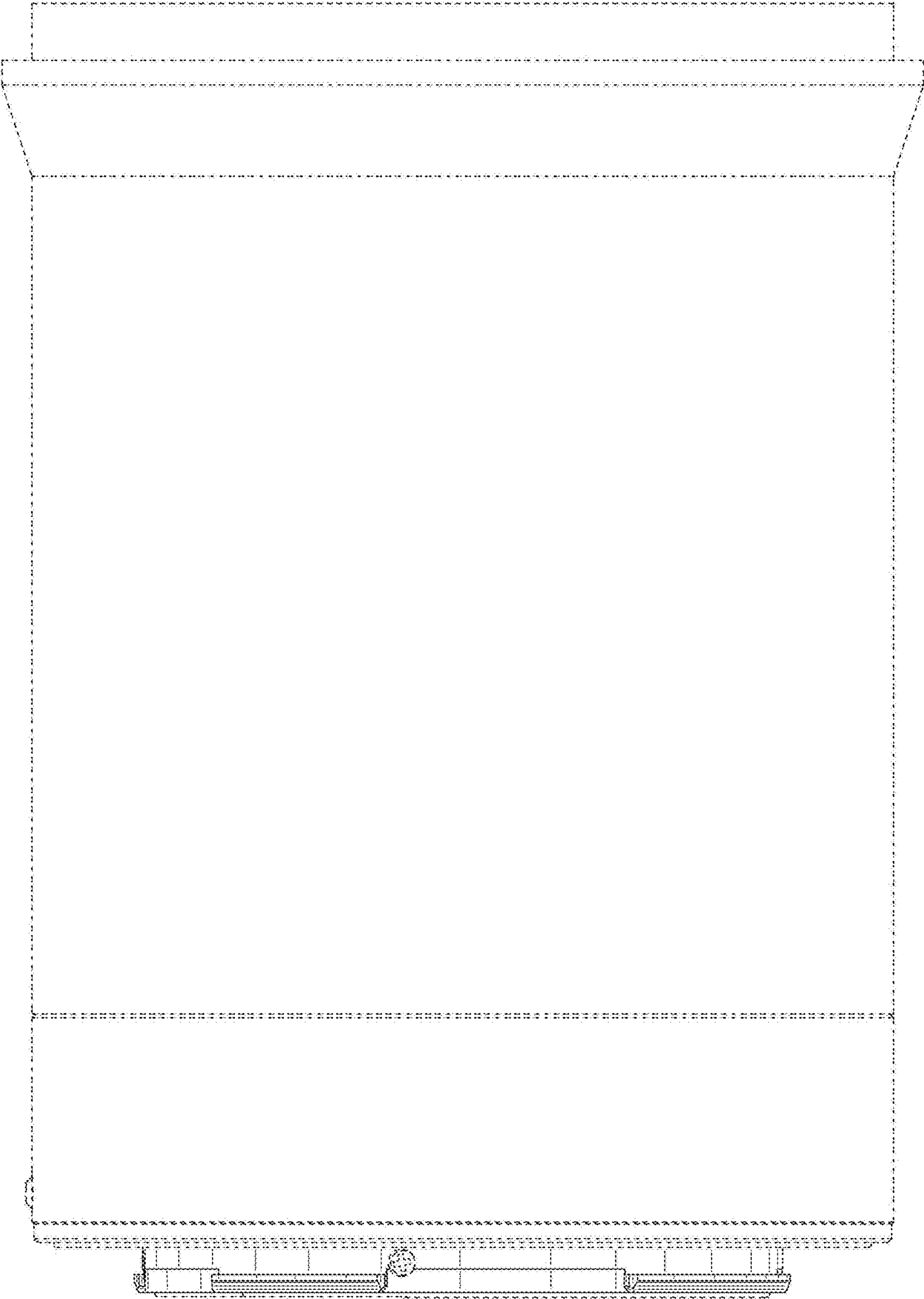


FIG.4

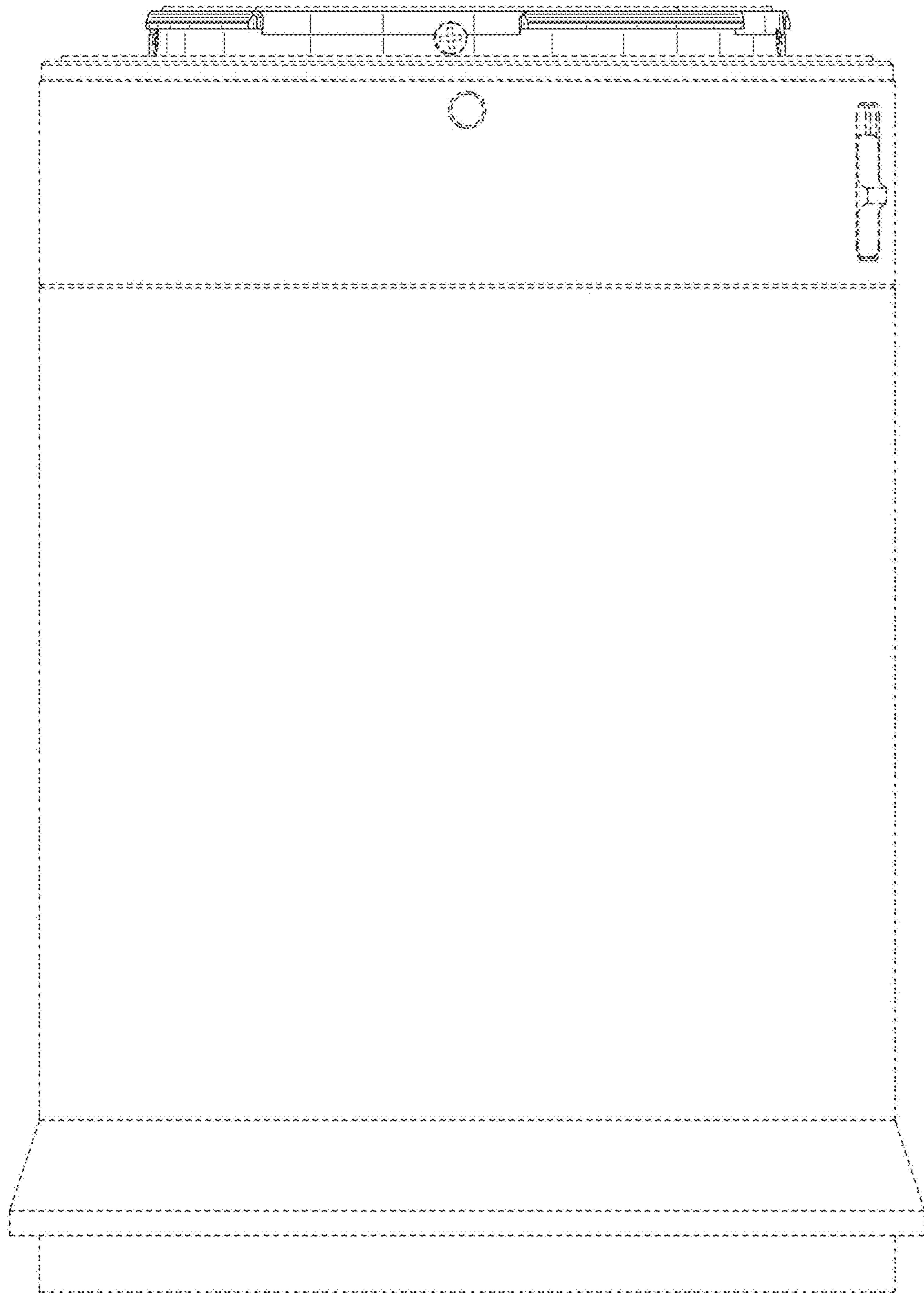


FIG.5

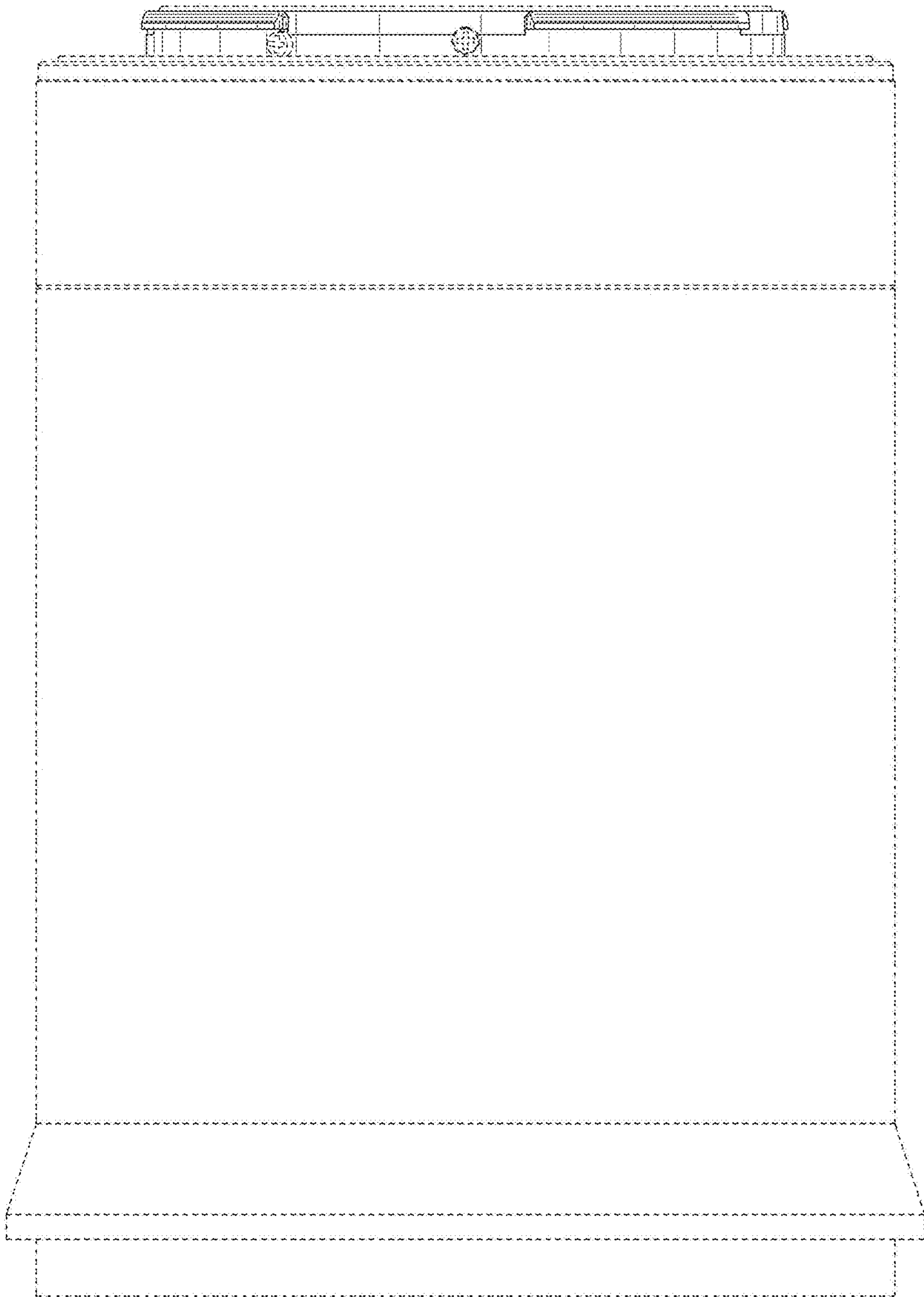


FIG.6



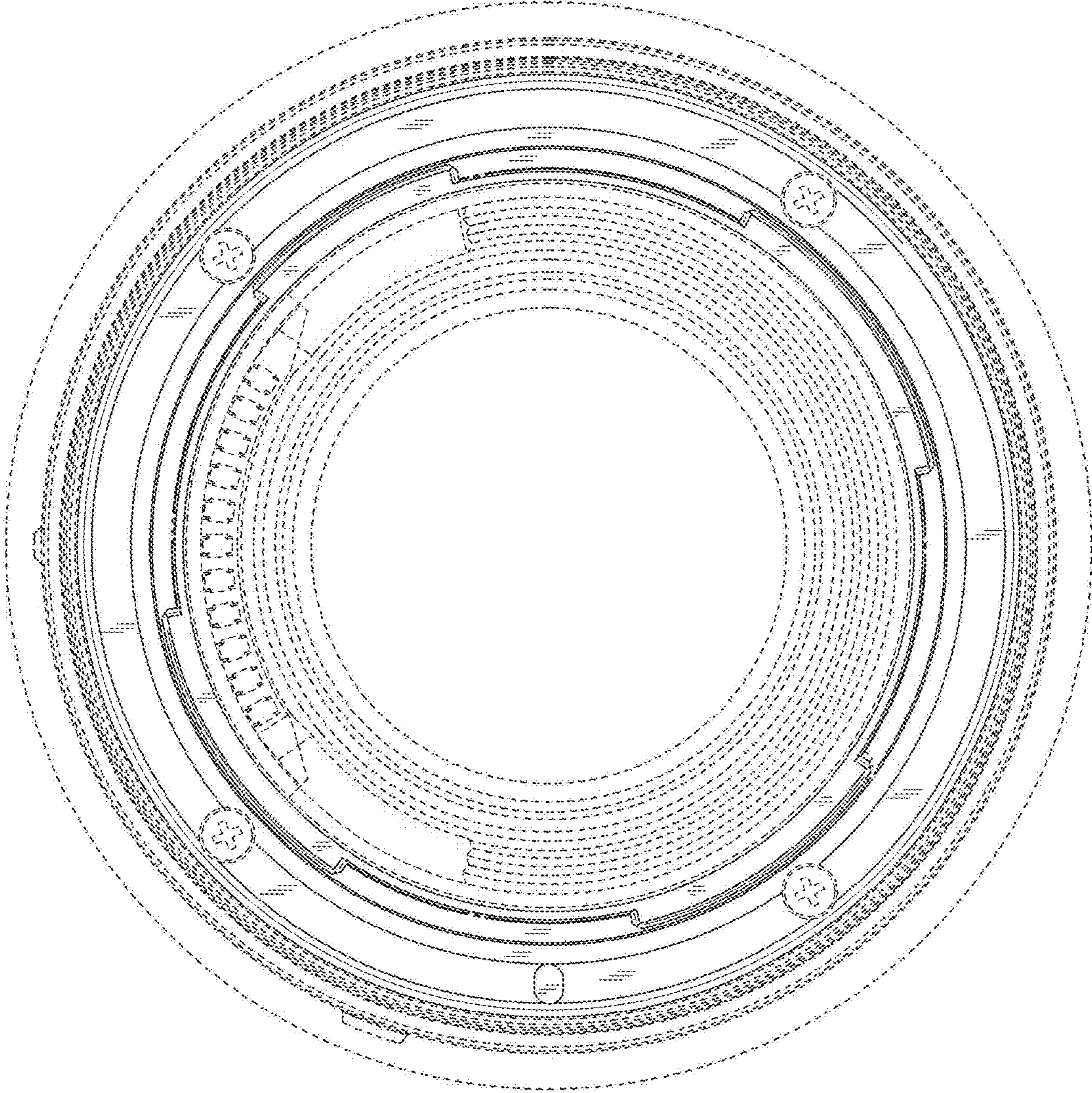


FIG.7

FIG.8

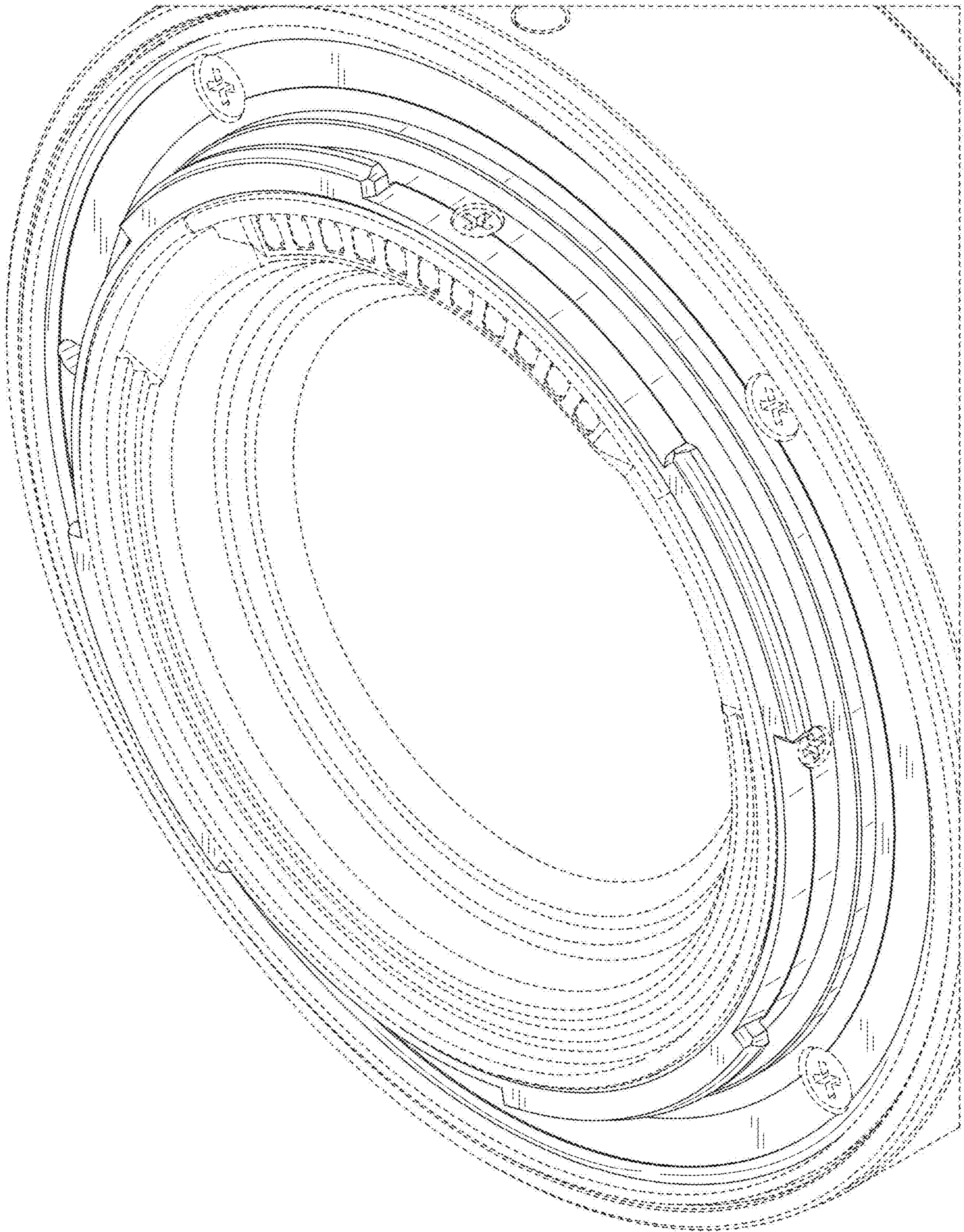


FIG.9

