



US00D898102S

(12) **United States Design Patent** (10) **Patent No.:** **US D898,102 S**
Takagi (45) **Date of Patent:** **** *Oct. 6, 2020**

(54) **DIGITAL CAMERA**

(71) Applicant: **FUJIFILM Corporation**, Minato-ku, Tokyo (JP)

(72) Inventor: **Masaaki Takagi**, Saitama (JP)

(73) Assignee: **FUJIFILM Corporation**, Tokyo (JP)

(*) Notice: This patent is subject to a terminal disclaimer.

(**) Term: **15 Years**

(21) Appl. No.: **29/695,716**

(22) Filed: **Jun. 21, 2019**

Related U.S. Application Data

(63) Continuation of application No. 29/589,937, filed on Jan. 5, 2017, now Pat. No. Des. 856,395.

(30) **Foreign Application Priority Data**

Jul. 6, 2016 (JP) 2016-014428

(51) **LOC (12) Cl.** **16-05**

(52) **U.S. Cl.**
USPC **D16/219**

(58) **Field of Classification Search**
USPC D16/200–220, 229, 245, 249, 250, 136;
D28/82–84; D3/10, 18, 20, 201, 203.1,
(Continued)

(56) **References Cited**

U.S. PATENT DOCUMENTS

D345,294 S * 3/1994 Palmer D8/331
D348,211 S * 6/1994 Crocker, III D8/339
(Continued)

FOREIGN PATENT DOCUMENTS

EM 003568286-0001 * 1/2017
EM 003568310-0001 * 1/2017
JP D1508890 S 10/2014

Primary Examiner — T Chase Nelson

Assistant Examiner — Mary Claire Ramirez

(74) *Attorney, Agent, or Firm* — Sughrue Mion, PLLC

(57) **CLAIM**

The ornamental design for a digital camera, as shown and described.

DESCRIPTION

FIG. 1 is a bottom, left perspective view of a digital camera showing the new design;

FIG. 2 is a front view thereof;

FIG. 3 is a rear view thereof;

FIG. 4 is a right side view thereof;

FIG. 5 is a left side view thereof;

FIG. 6 is a top view thereof; and

FIG. 7 is a bottom view thereof.

FIG. 8 is a bottom, left perspective view of the digital camera showing the display in an open state.

FIG. 9 is a front view thereof;

FIG. 10 is a rear view thereof;

FIG. 11 is a right side view thereof;

FIG. 12 is a left side view thereof;

FIG. 13 is a top view thereof;

FIG. 14 is a bottom view thereof;

FIG. 15 is a bottom, left perspective view of the digital camera showing the display in an alternate open state;

FIG. 16 is a front view thereof;

FIG. 17 is a rear view thereof;

FIG. 18 is a right side view thereof;

FIG. 19 is a left side view thereof;

FIG. 20 is a top view thereof;

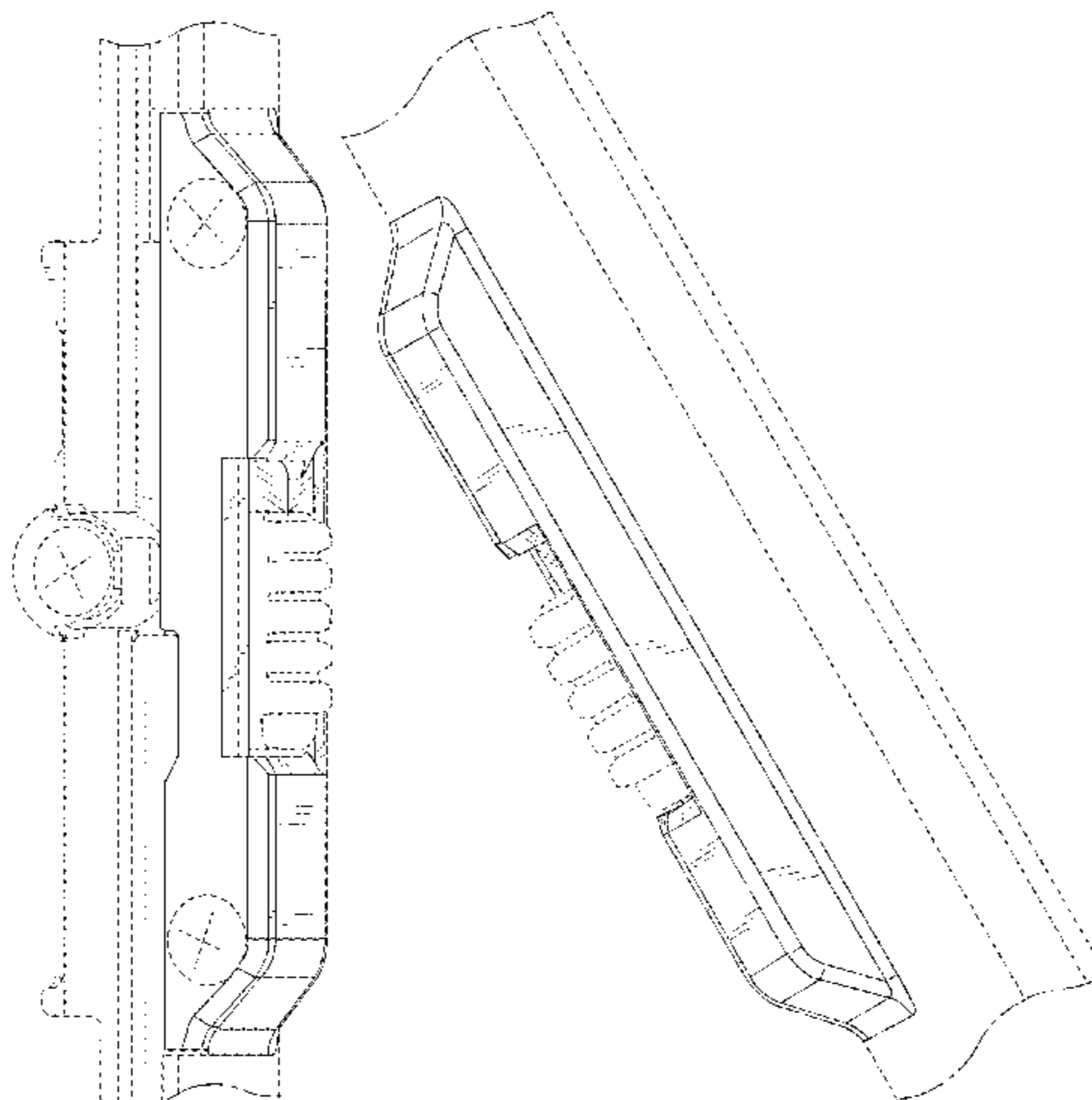
FIG. 21 is a bottom view thereof;

FIG. 22 is an enlarged view of the claimed portion of FIG. 11; and,

FIG. 23 is an enlarged view of the claimed portion of FIG. 15.

The broken lines shown in the drawings depict portions of the digital camera that form no part of the claimed design.

1 Claim, 23 Drawing Sheets



(58) **Field of Classification Search**
 USPC .. D3/203.2, 203.3, 207, 208, 217, 225, 230,
 D3/242, 263–265, 273–275, 315, 318,
 D3/326, 901, 903, 905; D8/330, 382,
 D8/404
 CPC ... G02B 7/02; G02B 7/04; G02B 7/14; G02B
 3/14; G03B 17/00; G03B 17/02; G03B
 17/56; G03B 17/04; G03B 17/14; G03B
 15/03; G03B 9/08; H04N 5/2251; H04N
 5/2252; H04N 5/2253; H04N 5/2254;
 H04N 7/00; H04N 2101/00; F16M 13/00;
 B65D 2251/1033

See application file for complete search history.

(56) **References Cited**

U.S. PATENT DOCUMENTS

5,638,838 A * 6/1997 Lombardi A45C 13/005
 132/294
 D382,399 S * 8/1997 Hambleton D3/263
 5,787,906 A * 8/1998 D'Andrea A45C 13/1084
 132/293
 5,822,001 A * 10/1998 Morikawa G11B 15/675
 348/375
 D429,267 S * 8/2000 Sumita D16/202
 D477,912 S * 8/2003 Cunningham D3/273
 D552,797 S * 10/2007 Kuethe D28/83
 7,385,647 B2 * 6/2008 Park H04N 5/2252
 348/376
 D612,594 S * 3/2010 Wade D3/203.2
 8,325,270 B2 * 12/2012 Woodman G03B 17/56
 348/375
 D677,303 S ‡ 3/2013 Nojima D16/219
 8,444,005 B2 * 5/2013 Kawai G03B 17/02
 220/811
 8,456,587 B2 * 6/2013 Kei G03B 17/02
 349/58
 D692,657 S * 11/2013 Hyma D3/220
 D696,009 S * 12/2013 Priebe D3/203.3
 D700,229 S ‡ 2/2014 Ham D16/202
 D713,869 S ‡ 9/2014 Kim D16/202
 D724,643 S * 3/2015 Kim D16/219
 D727,990 S 4/2015 Sakai
 D738,418 S ‡ 9/2015 Imai D16/20
 D740,559 S * 10/2015 Steele D3/281
 9,264,593 B2 * 2/2016 Takahashi H04N 1/00384
 D755,873 S * 5/2016 Odashima D16/202
 9,413,971 B2 * 8/2016 Mitsui H05K 5/0017
 9,444,980 B2 * 9/2016 Ujiie H04N 5/23293
 9,541,340 B2 * 1/2017 Fluhr F41A 17/38
 9,568,806 B2 * 2/2017 Kim H04N 5/232933
 D789,086 S * 6/2017 Lin D3/294
 D795,939 S * 8/2017 Hoshi D16/202
 9,826,134 B2 ‡ 11/2017 Ohtsuka H04N 5/23203
 10,070,020 B2 * 9/2018 Akiyama G03B 17/04
 D838,764 S ‡ 1/2019 Imai D16/219
 D851,201 S * 6/2019 Hiler, Jr. D22/108
 D855,679 S * 8/2019 Takagi D16/219
 D856,395 S * 8/2019 Takagi D16/219
 D863,685 S * 10/2019 Staab D28/83
 D875,804 S * 2/2020 Li D16/202
 10,582,096 B2 * 3/2020 Misawa H04N 5/225
 10,602,069 B2 * 3/2020 Misawa H04N 5/232
 2002/0150353 A1 * 10/2002 Chiu G02B 6/3825
 385/88
 2005/0044904 A1 * 3/2005 Horngren E05B 73/0023
 70/57.1
 2005/0285963 A1 * 12/2005 Misawa H04N 5/2251
 348/333.06

2006/0048392 A1 * 3/2006 Okada B26B 5/002
 30/162
 2006/0065658 A1 * 3/2006 Brunson B65D 50/046
 220/503
 2006/0215052 A1 * 9/2006 Nagaoka H04N 5/2251
 348/333.06
 2006/0269272 A1 ‡ 11/2006 Shibayama H04N 5/2251
 396/287
 2007/0103554 A1 ‡ 5/2007 Kaihara G02B 27/0006
 348/207.99
 2007/0235368 A1 * 10/2007 Knutson B65D 83/0463
 206/535
 2009/0078279 A1 * 3/2009 Boye A45C 11/008
 132/295
 2009/0207303 A1 ‡ 8/2009 Kusatsugu G03B 13/00
 348/376
 2009/0266730 A1 * 10/2009 Lin B25H 3/003
 206/372
 2010/0020184 A1 ‡ 1/2010 Kurosawa G03B 17/00
 348/208.11
 2010/0281736 A1 * 11/2010 Mayberry F41A 21/481
 42/49.01
 2011/0026911 A1 ‡ 2/2011 Kishida G03B 13/06
 396/374
 2011/0298970 A1 * 12/2011 Shinohara G03B 17/14
 348/373
 2012/0051732 A1 ‡ 3/2012 Aoki G03B 17/02
 396/374
 2012/0073143 A1 * 3/2012 Honda B26B 5/002
 30/162
 2012/0081593 A1 ‡ 4/2012 Nakagawa G03B 13/04
 348/333.06
 2012/0105739 A1 ‡ 5/2012 Shimizu F21V 5/04
 348/790
 2013/0038769 A1 ‡ 2/2013 Xiaoping H04N 5/2251
 348/333.01
 2013/0093946 A1 ‡ 4/2013 Nakagawa H04N 5/2252
 348/374
 2013/0180750 A1 ‡ 7/2013 Fujiwara G03B 17/02
 174/50
 2014/0001938 A1 * 1/2014 Migli E05C 19/022
 312/319.1
 2014/0063335 A1 ‡ 3/2014 Hirai H04N 5/2252
 348/374
 2014/0184903 A1 ‡ 7/2014 Takahashi H04N 5/2254
 348/374
 2014/0253777 A1 * 9/2014 Yamaura H04N 5/2252
 348/333.06
 2014/0352191 A1 * 12/2014 Fritz F41A 3/66
 42/75.03
 2015/0107051 A1 ‡ 4/2015 Sakai G03B 17/02
 16/223
 2015/0281529 A1 * 10/2015 Takagi H04N 5/2252
 348/374
 2016/0066451 A1 * 3/2016 Mitsui G06F 1/1616
 348/333.06
 2016/0069628 A1 * 3/2016 Fluhr F41A 35/06
 42/6
 2016/0252798 A1 ‡ 9/2016 Igi G03B 17/08
 348/375
 2016/0286116 A1 ‡ 9/2016 Ohtsuka H04N 5/23203
 2017/0078535 A1 ‡ 3/2017 Akiyama G03B 17/02
 2017/0078579 A1 ‡ 3/2017 Akiyama H04N 5/23293
 2018/0170694 A1 * 6/2018 Takagi B65H 3/06
 2018/0210315 A1 * 7/2018 Takagi G03B 17/04
 2020/0089441 A1 * 3/2020 Fujimoto G06K 15/40

* cited by examiner

‡ imported from a related application

FIG. 1

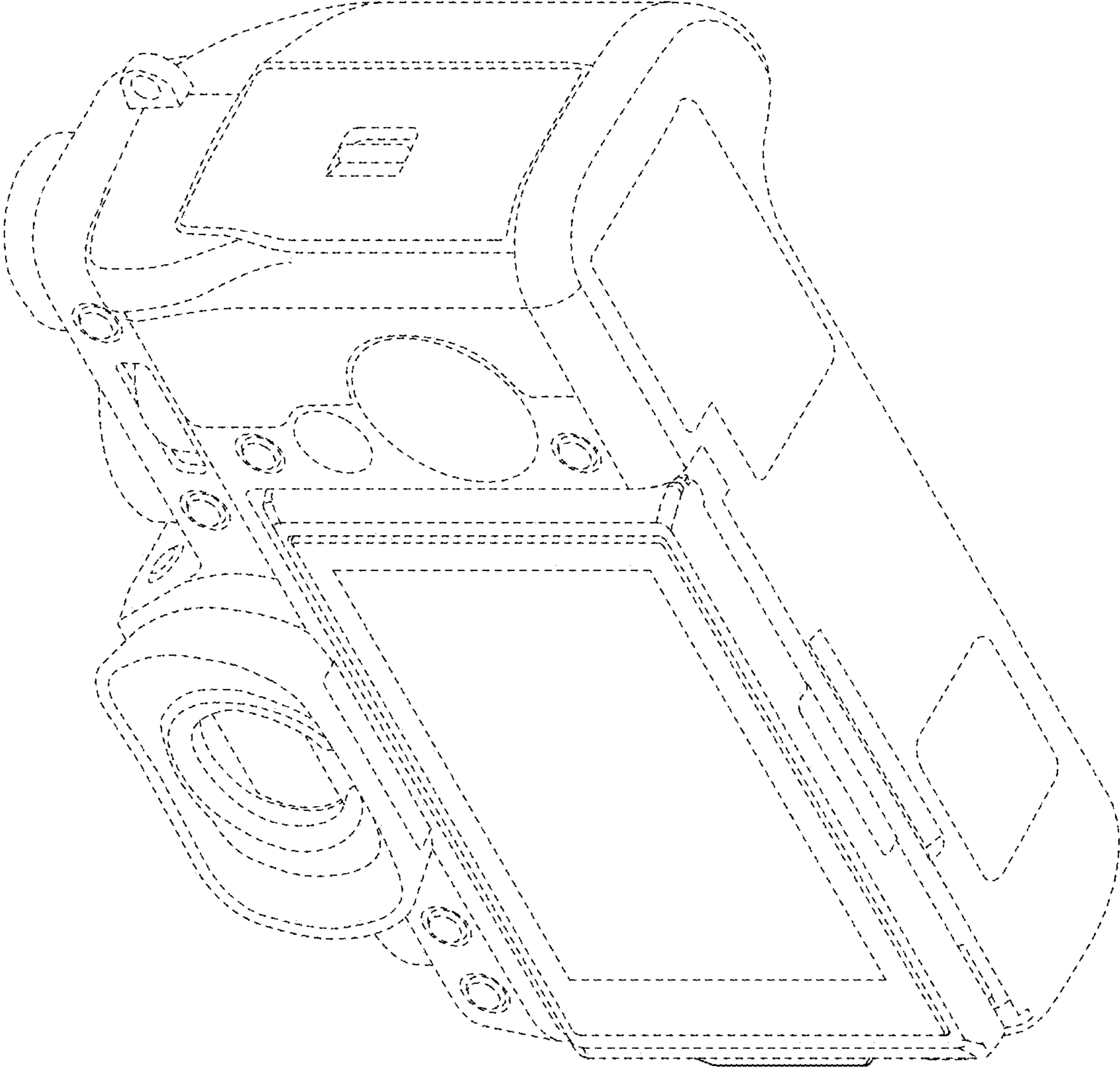


FIG. 2

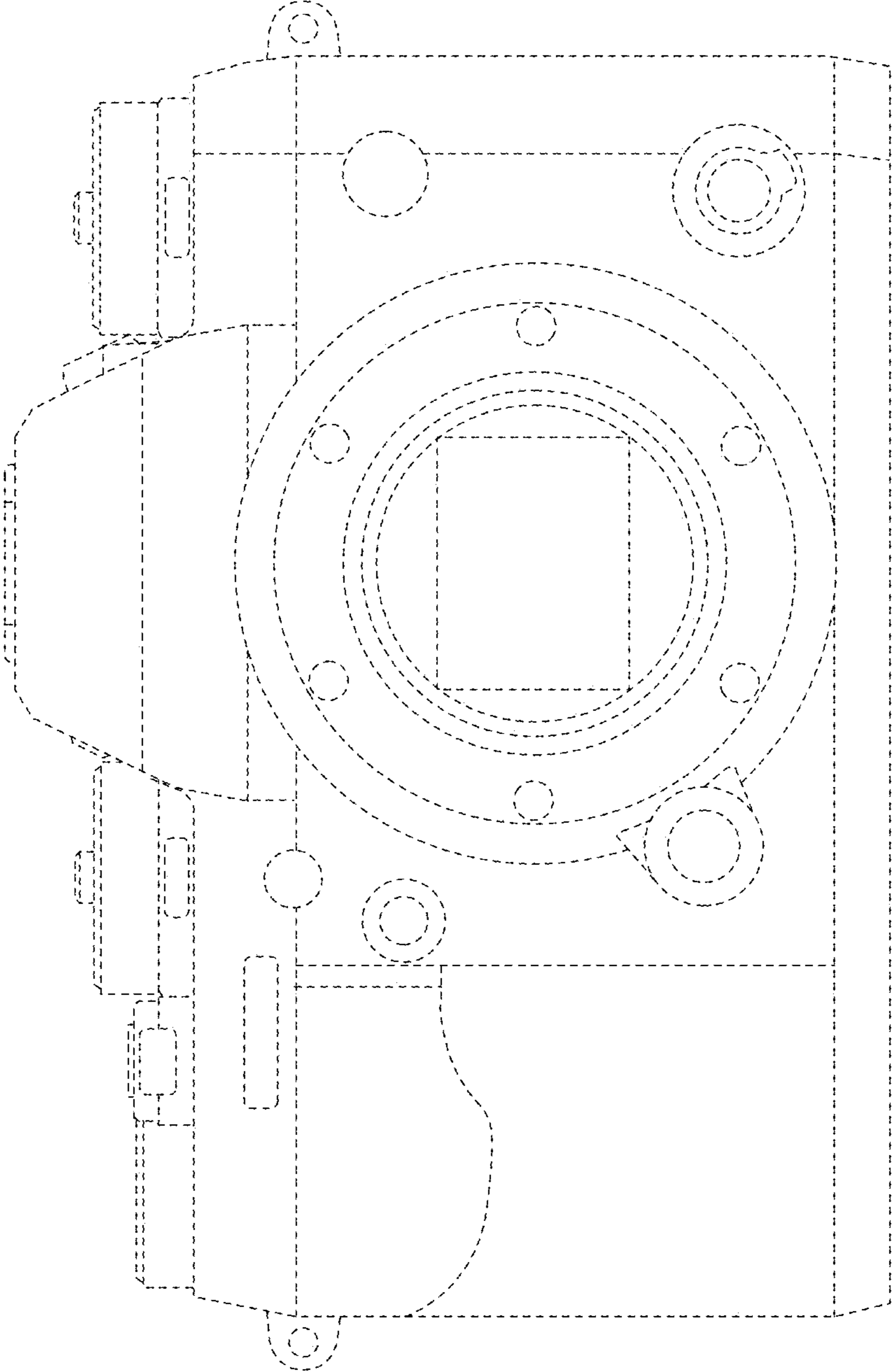


FIG. 3

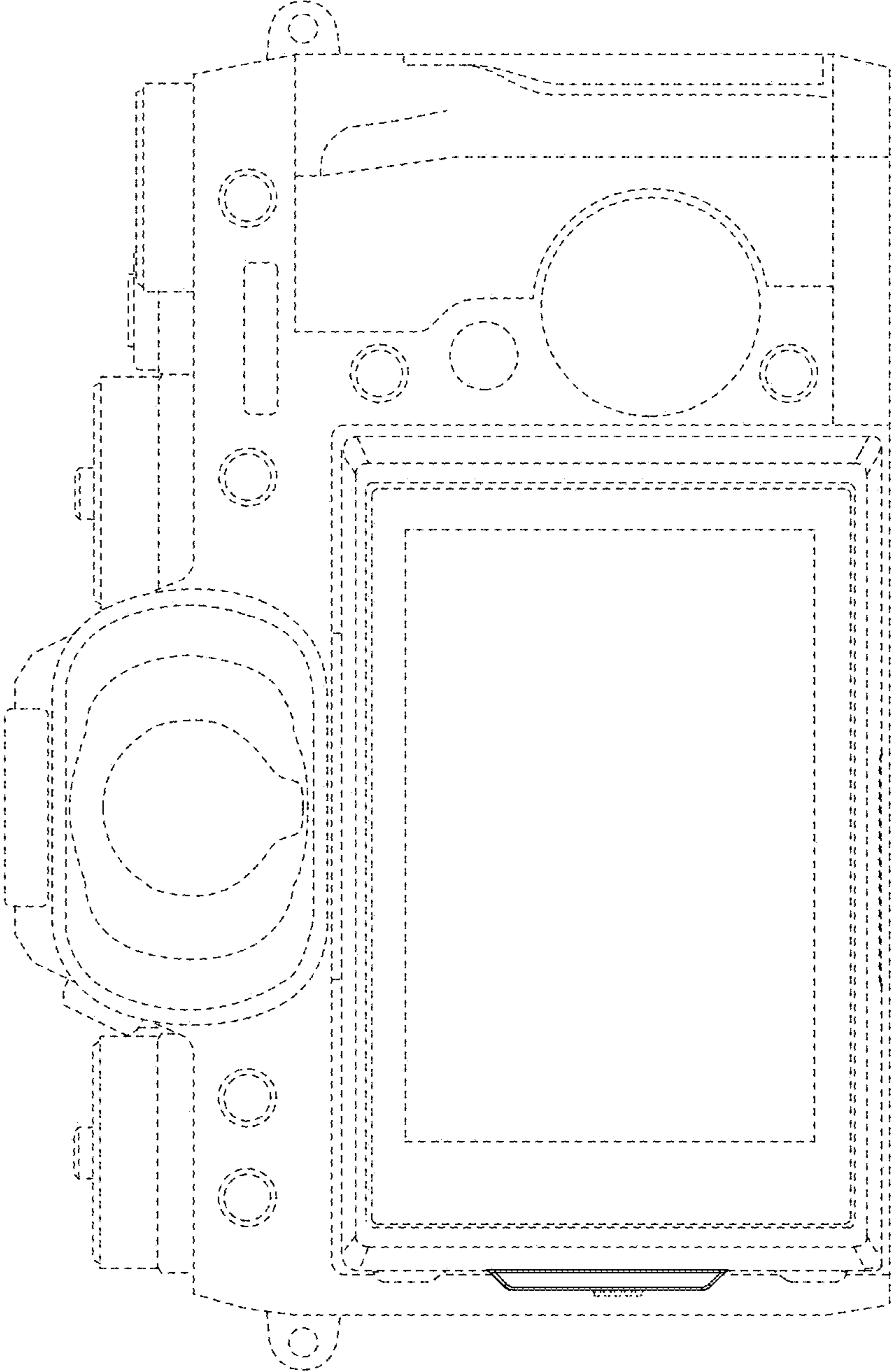


FIG. 4

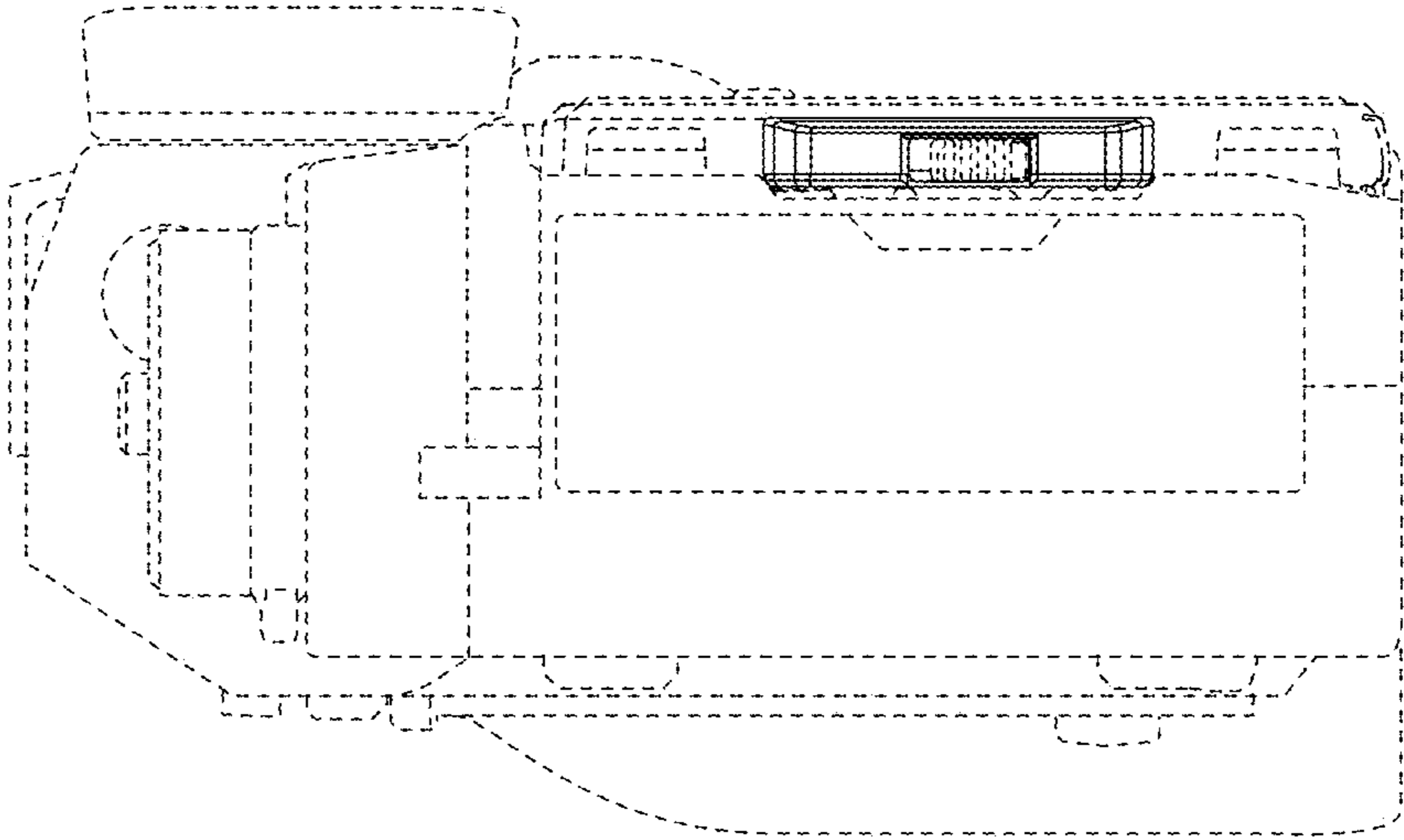


FIG. 5

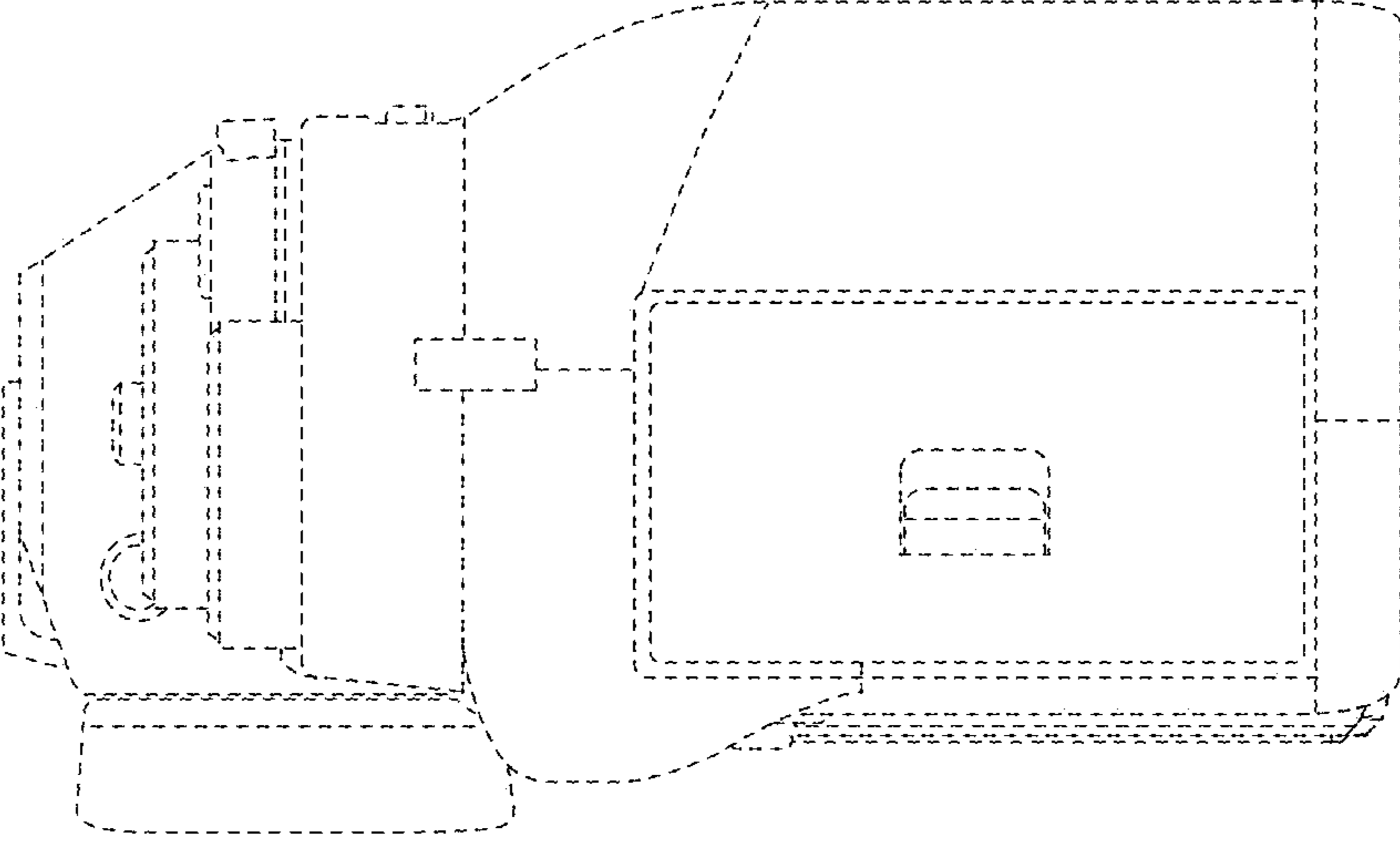


FIG. 6

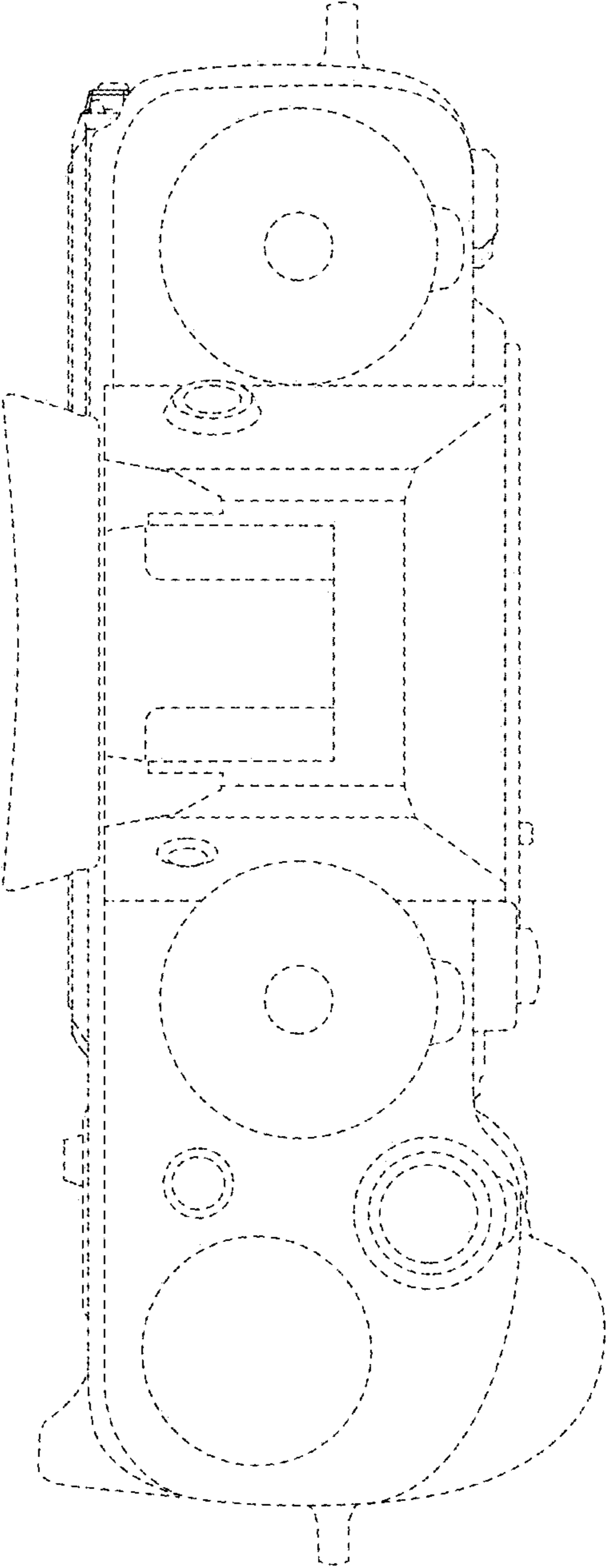


FIG. 7

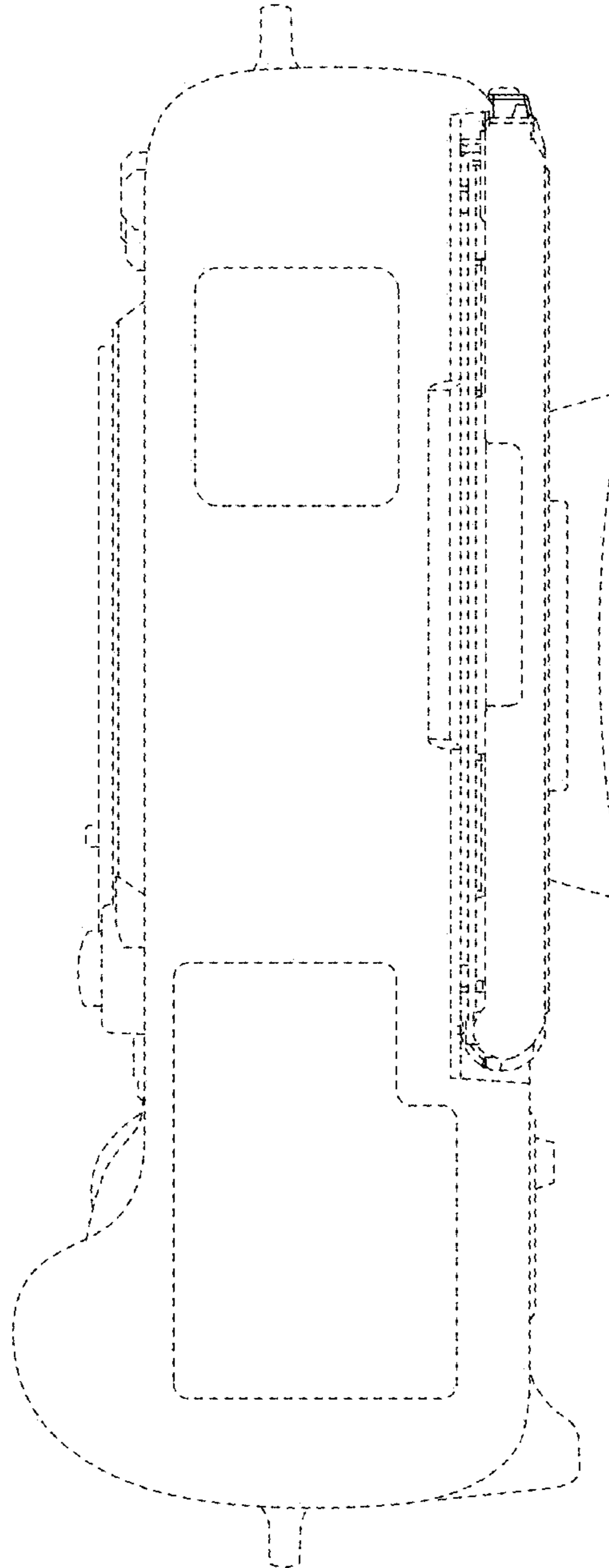


FIG. 8

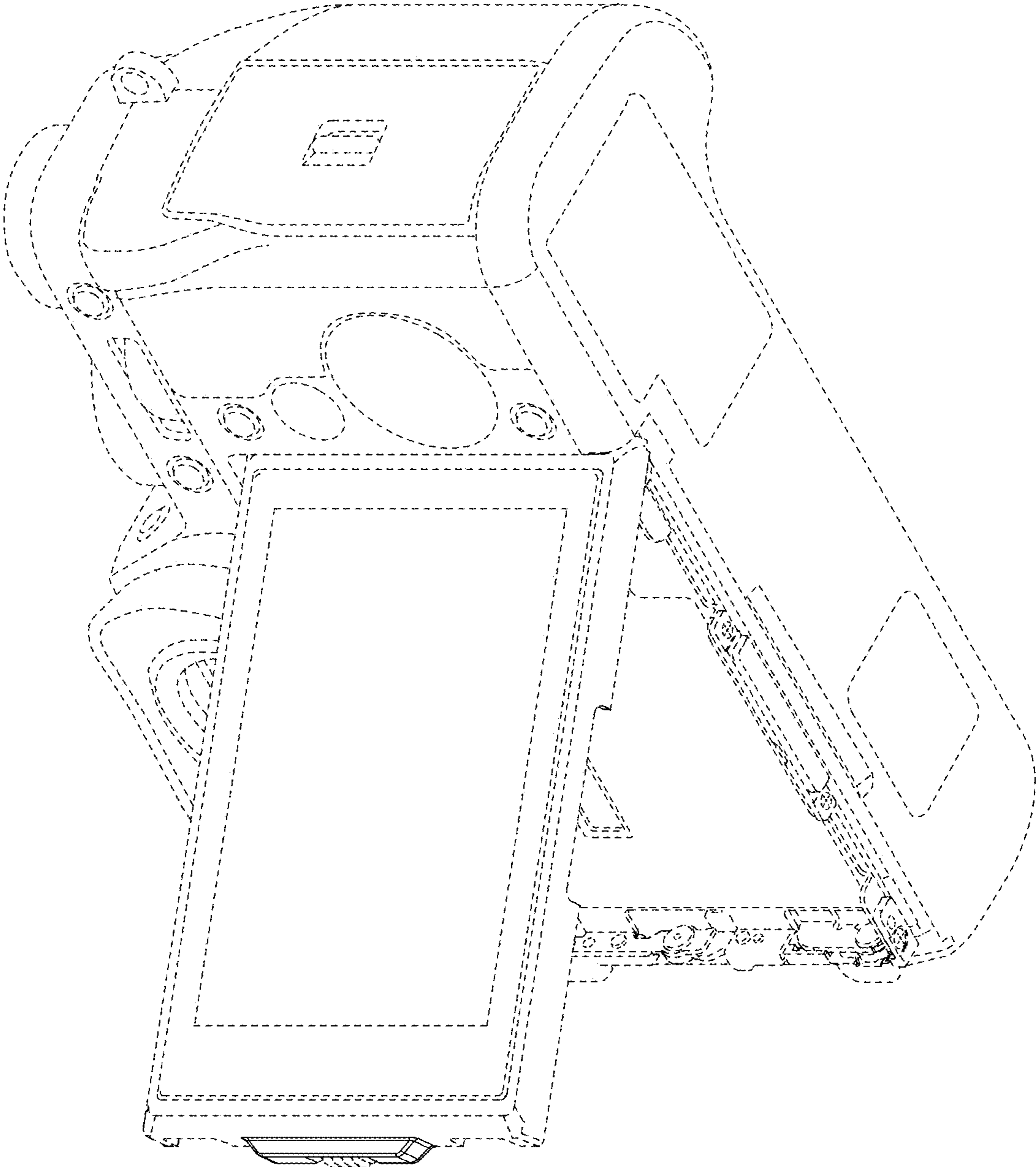


FIG. 9

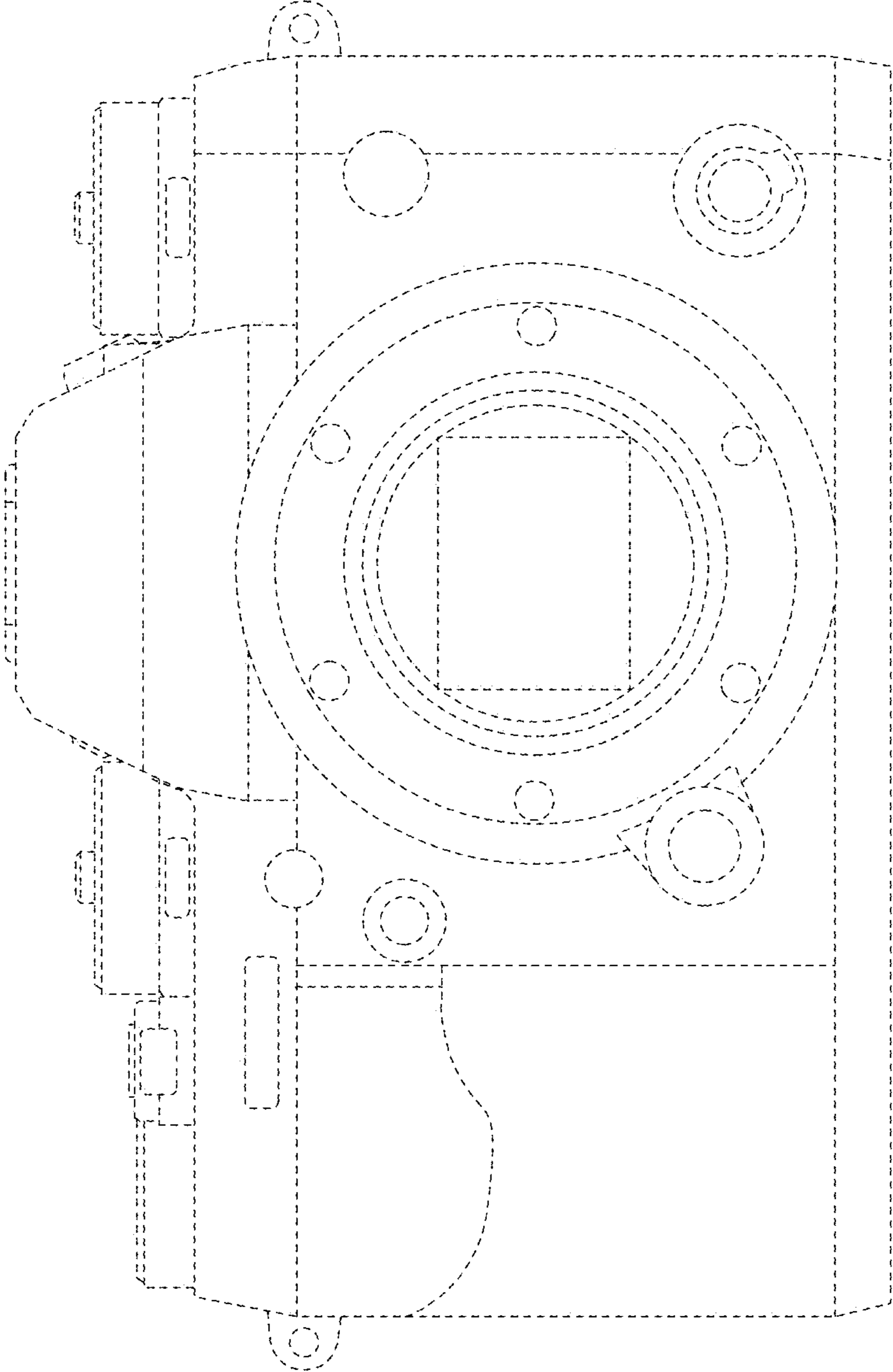


FIG. 10

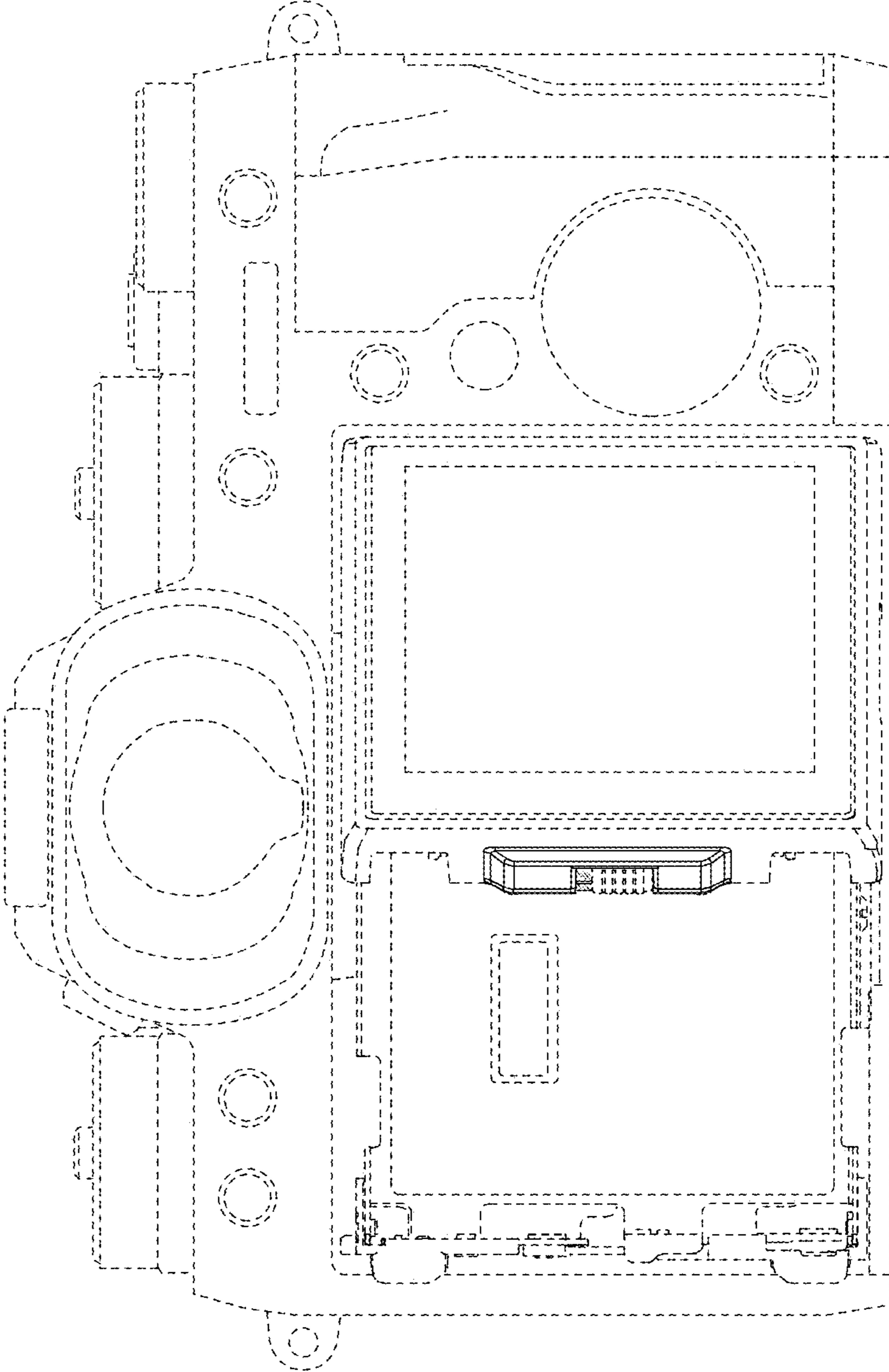


FIG. 11

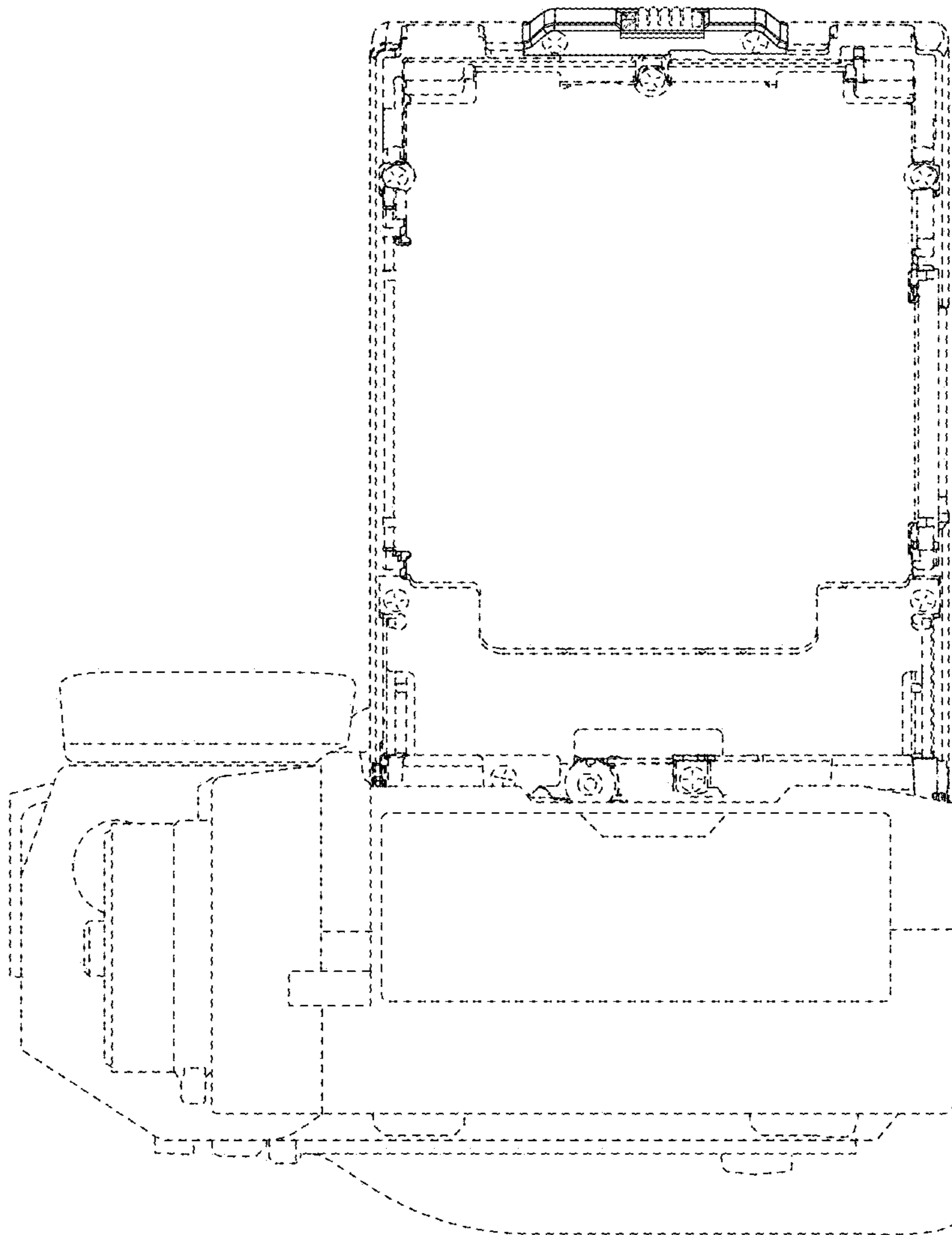


FIG. 12

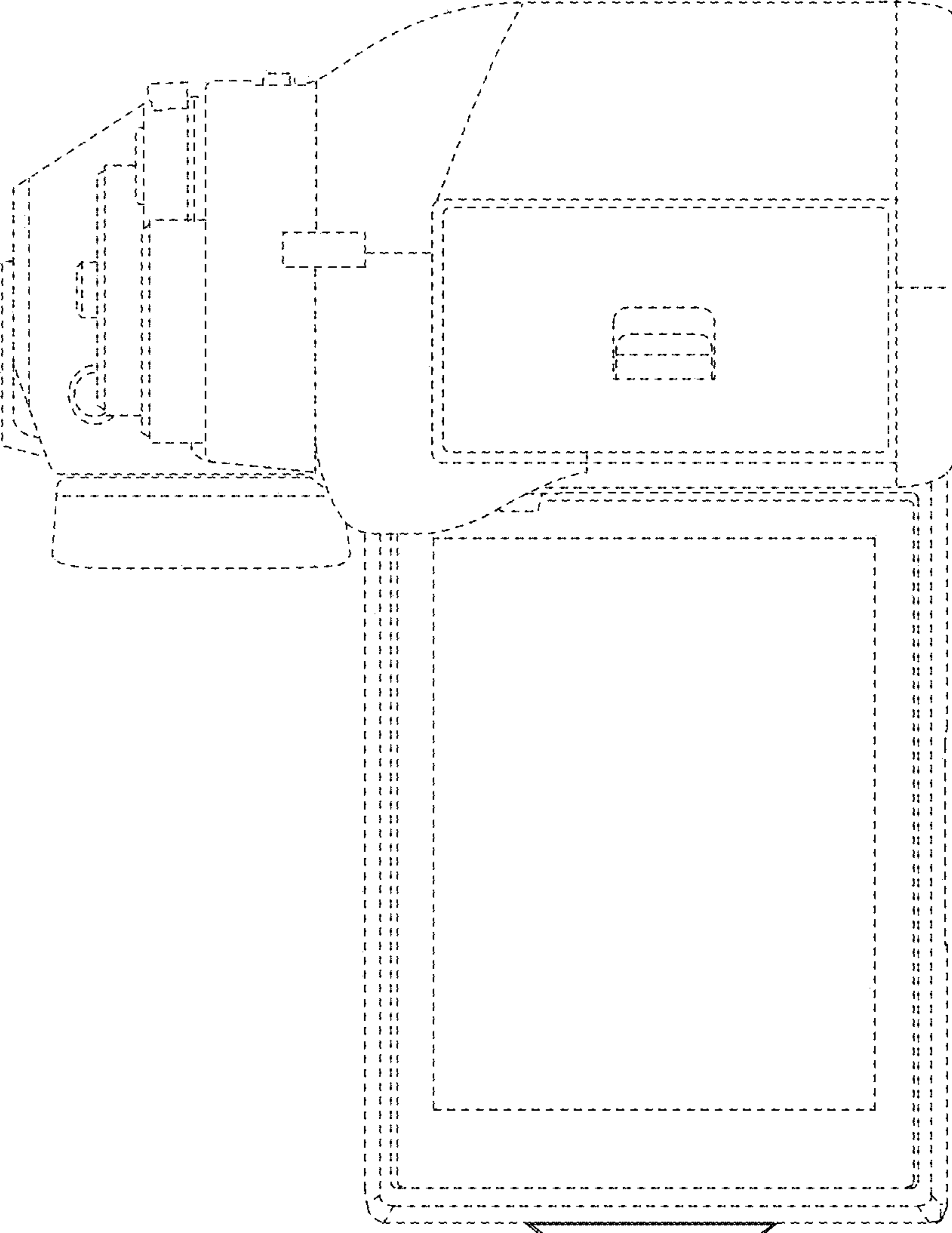


FIG. 13

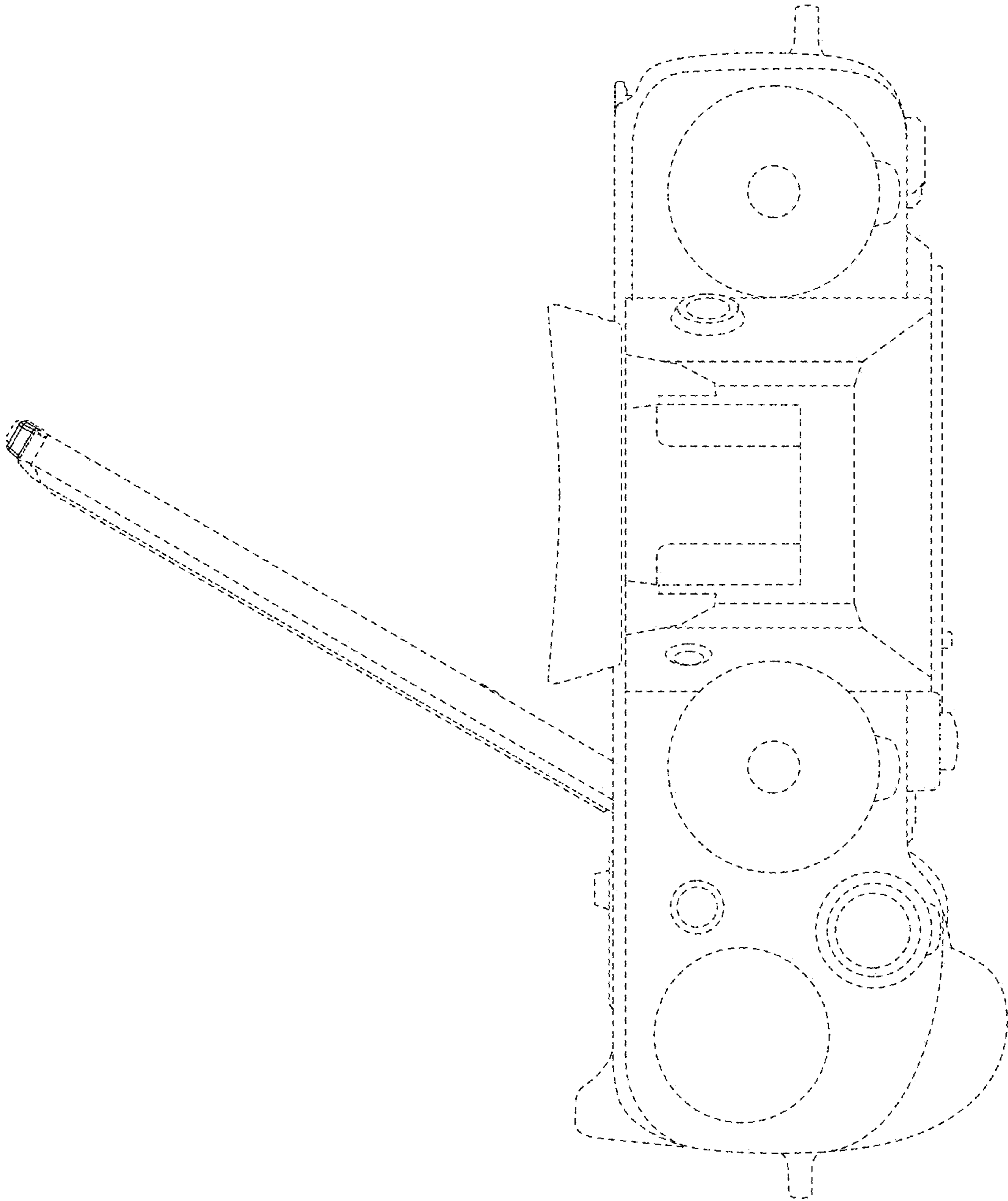


FIG. 14

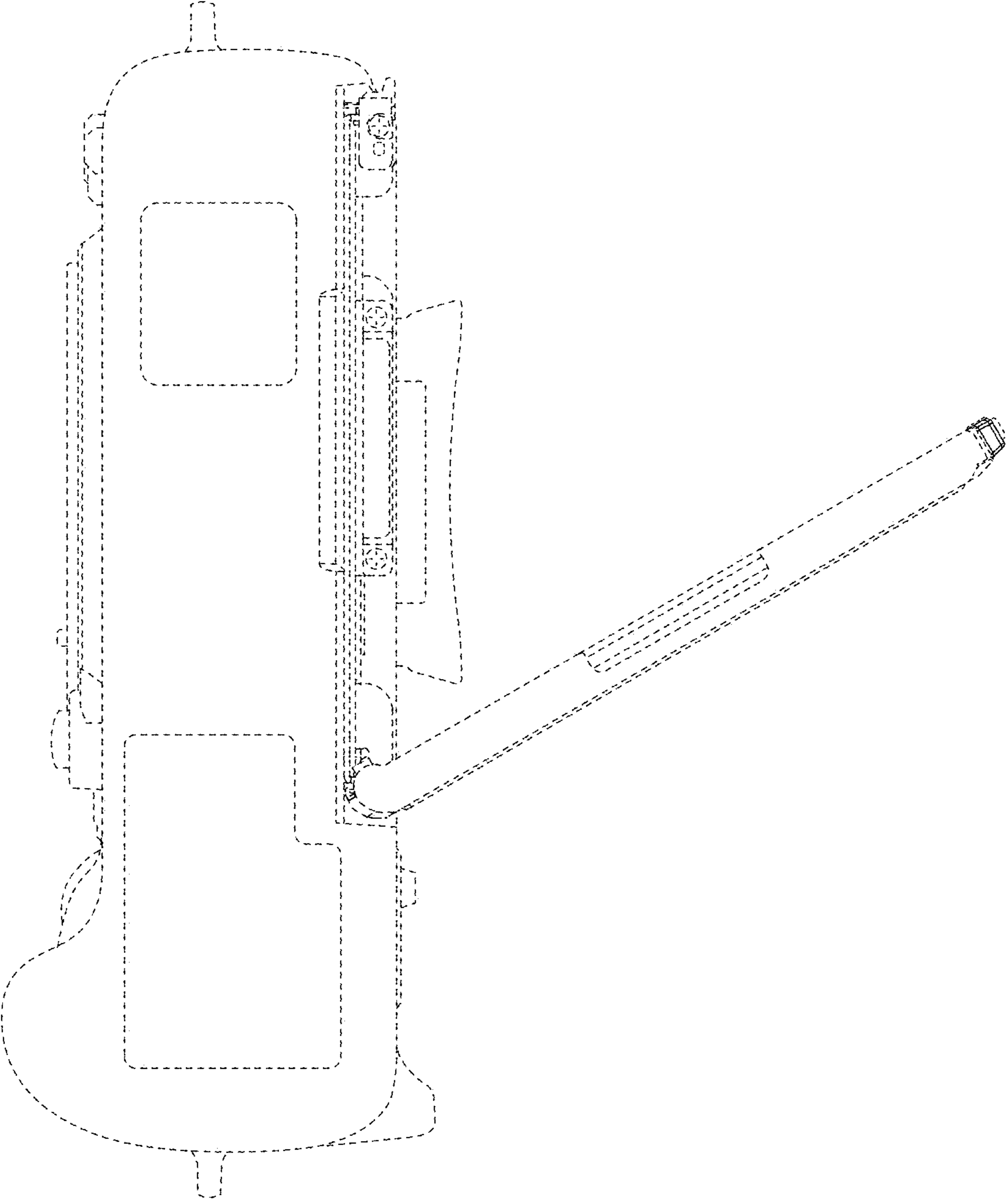
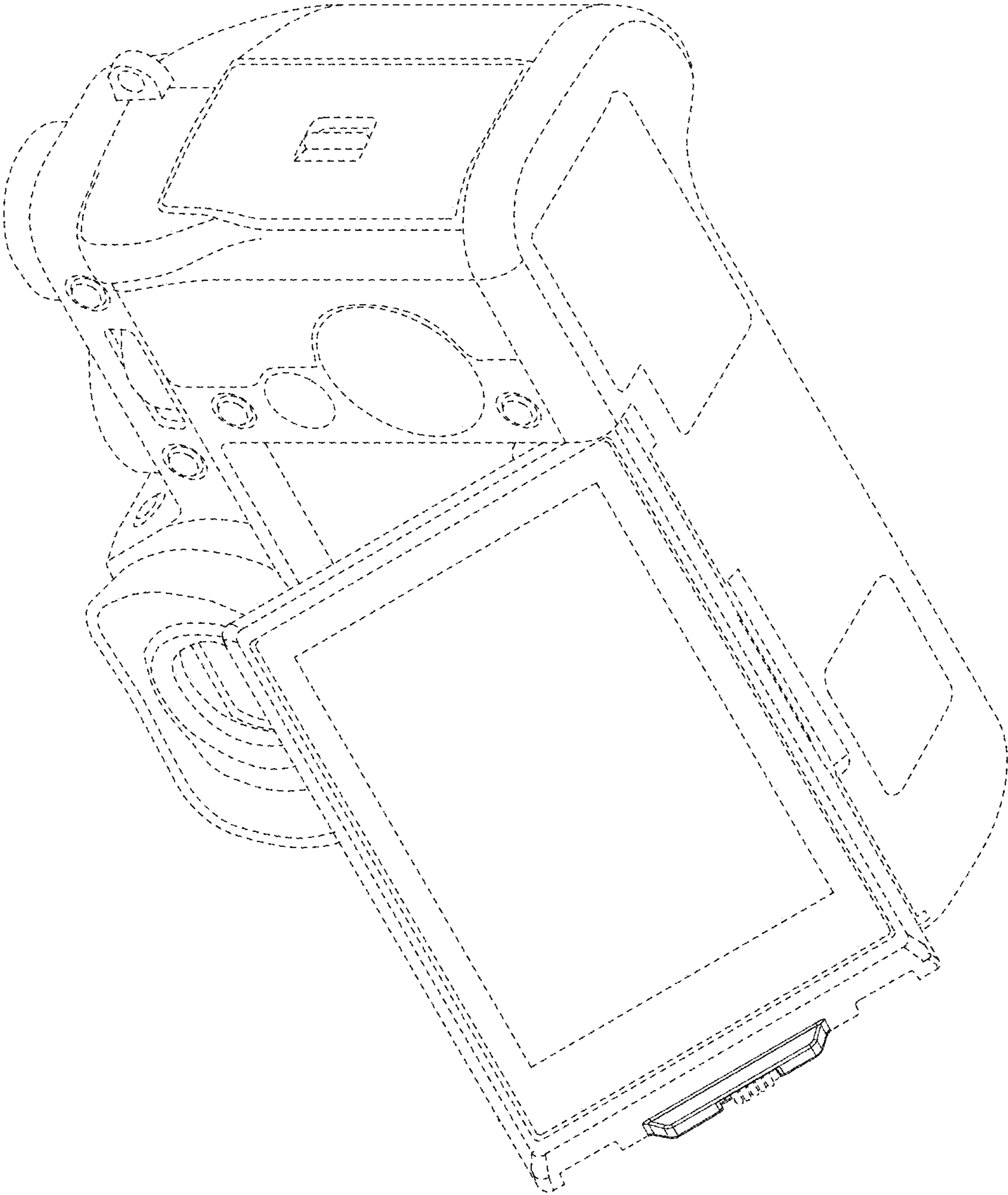


FIG. 15



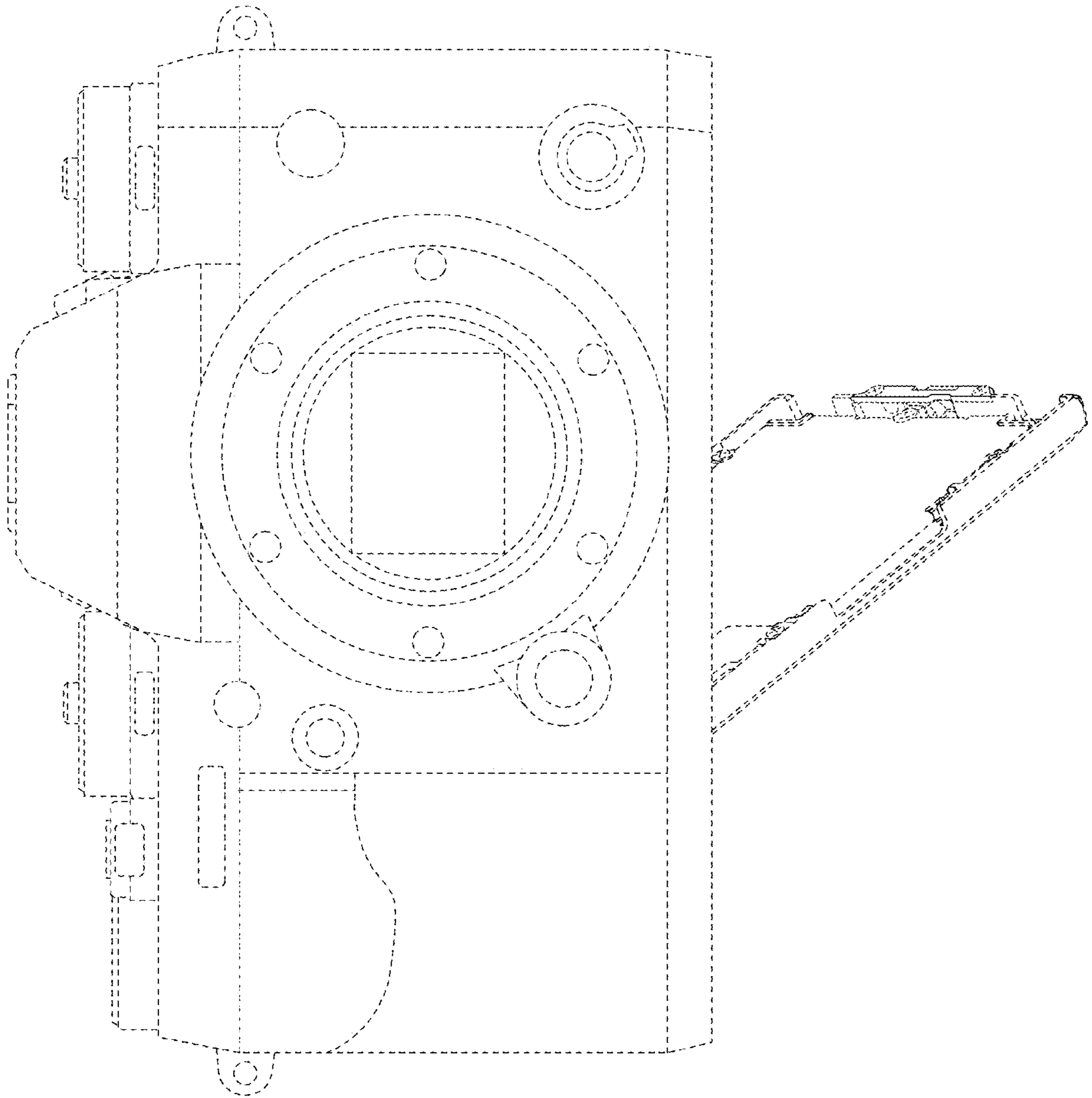


FIG. 16

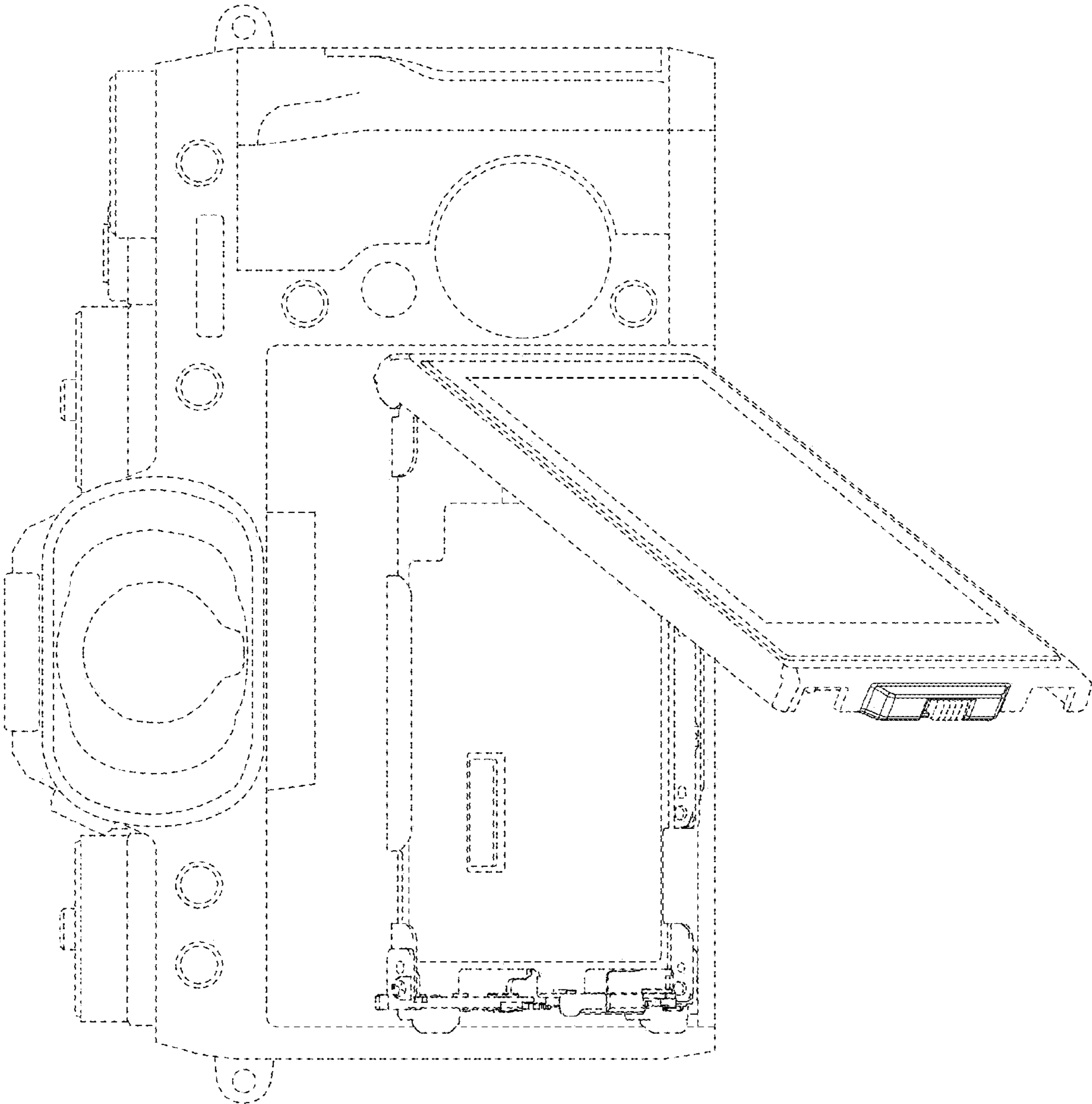


FIG. 17

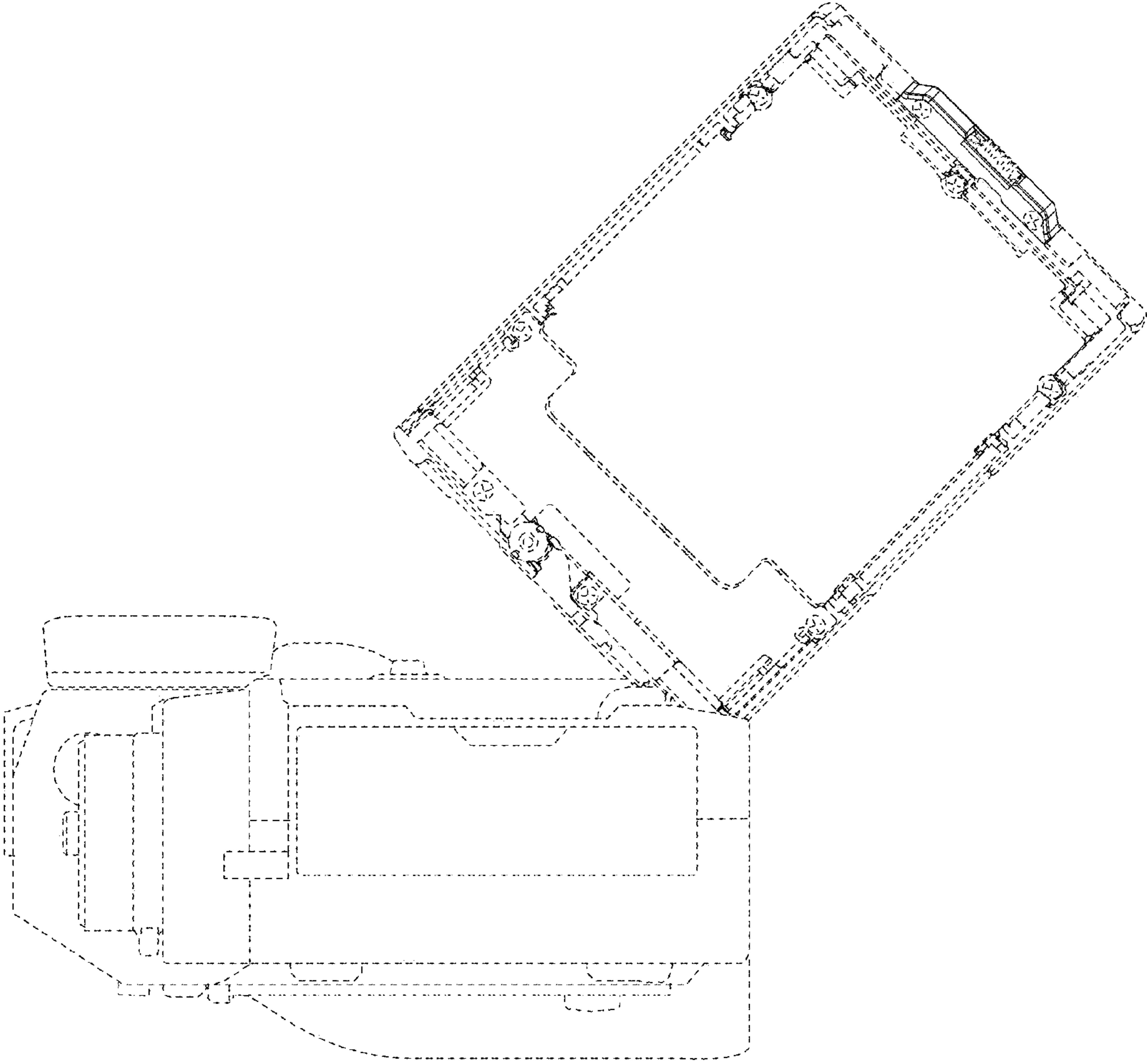


FIG. 18

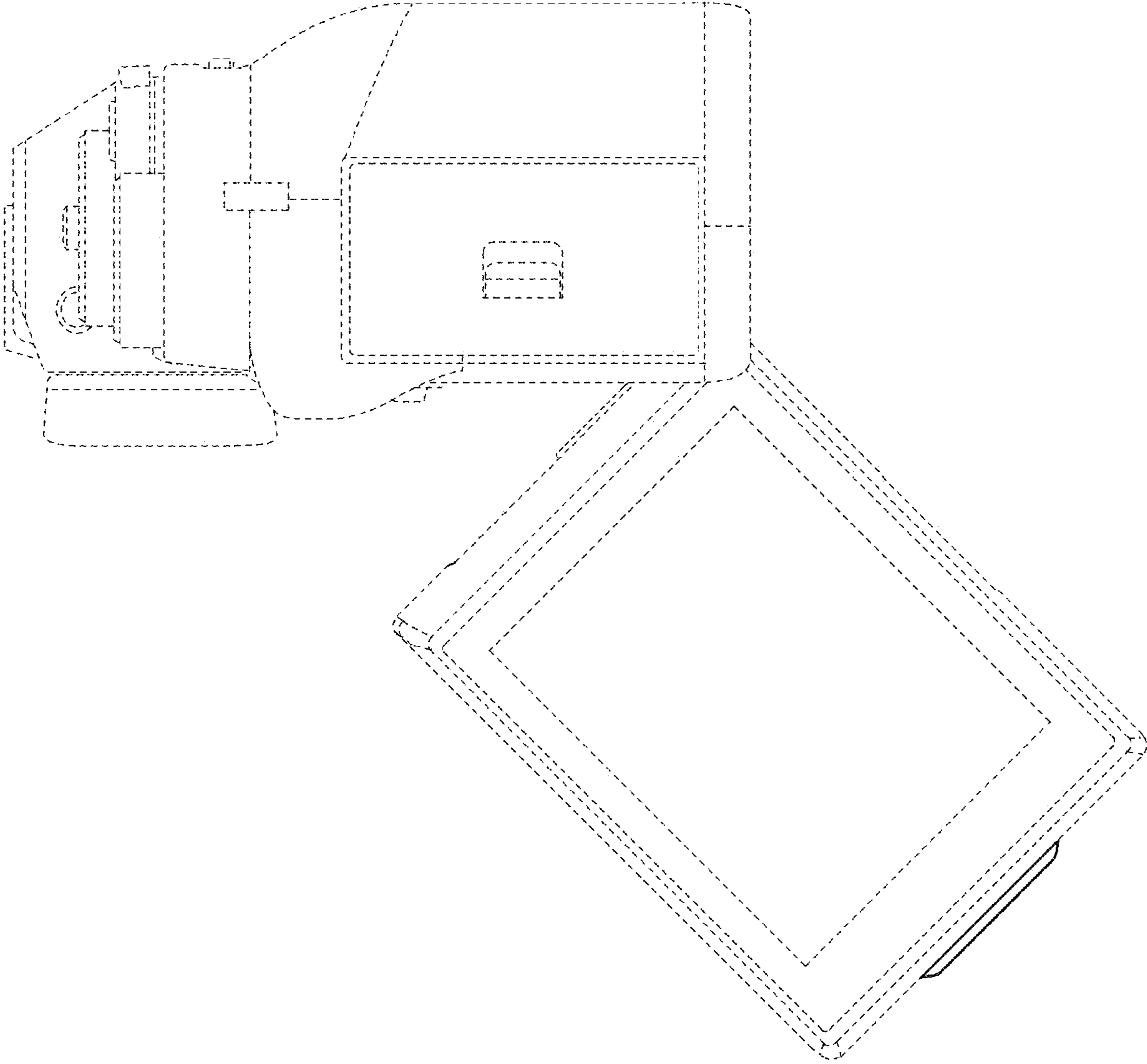


FIG. 19

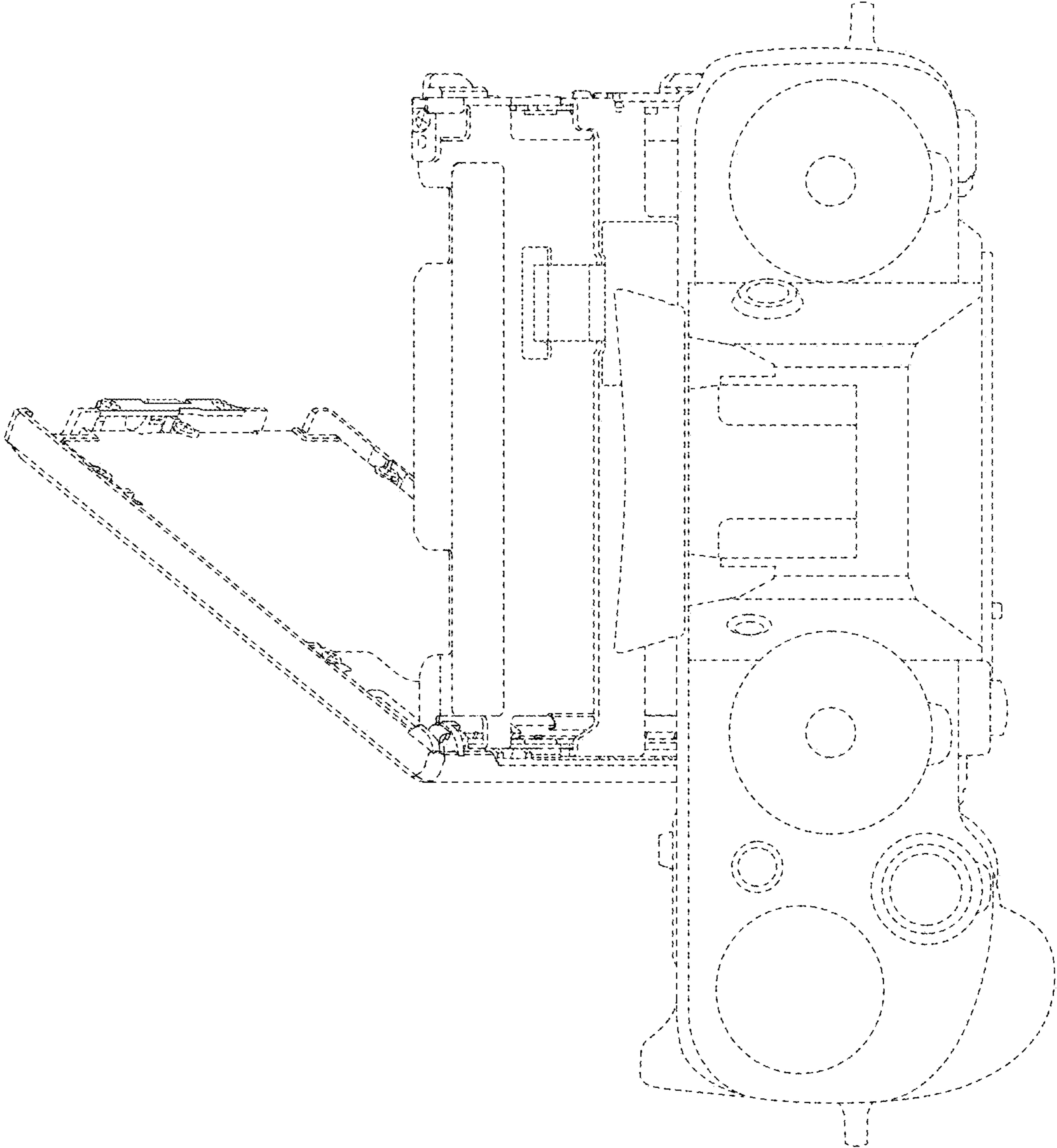


FIG. 20

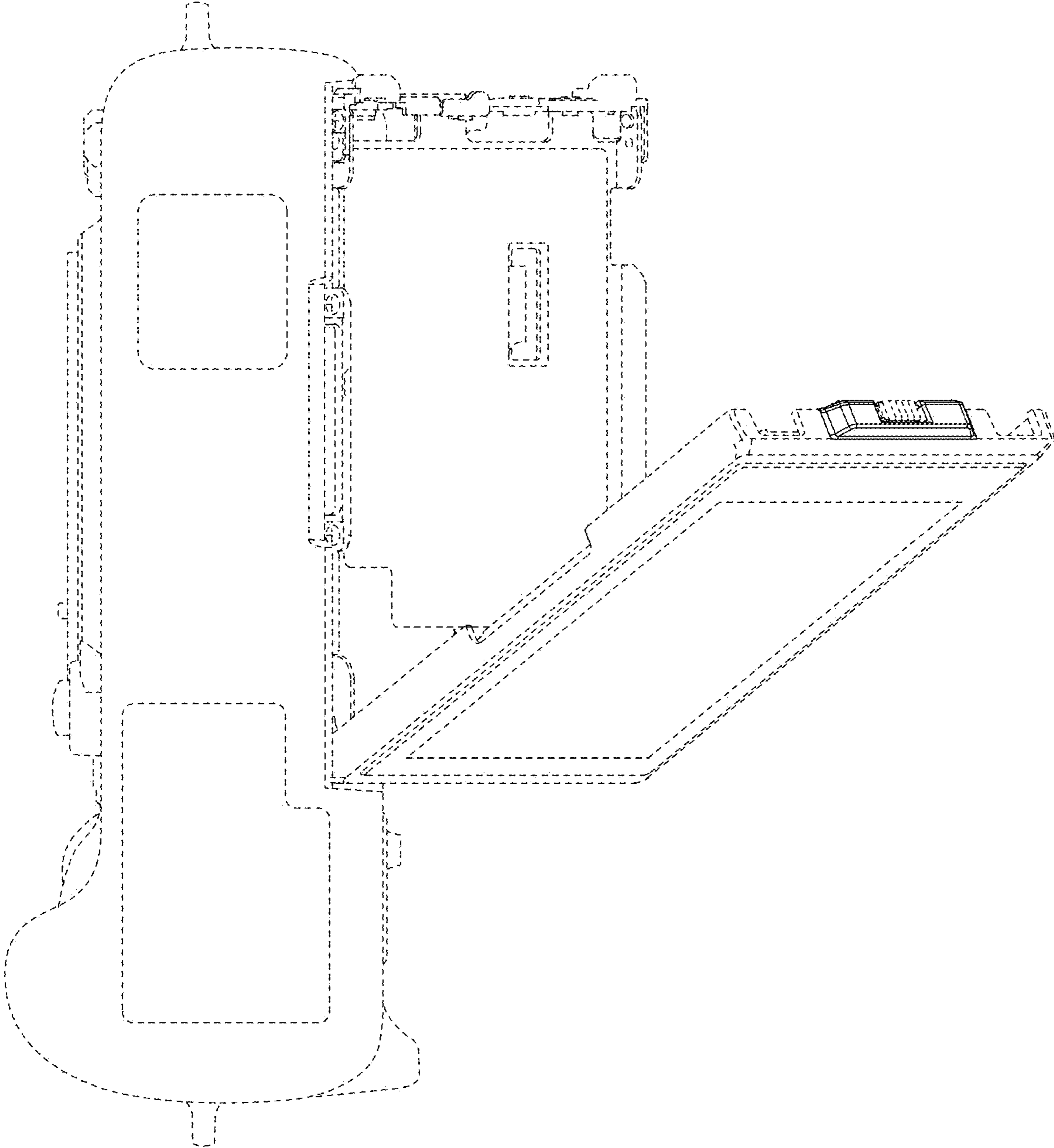


FIG. 21

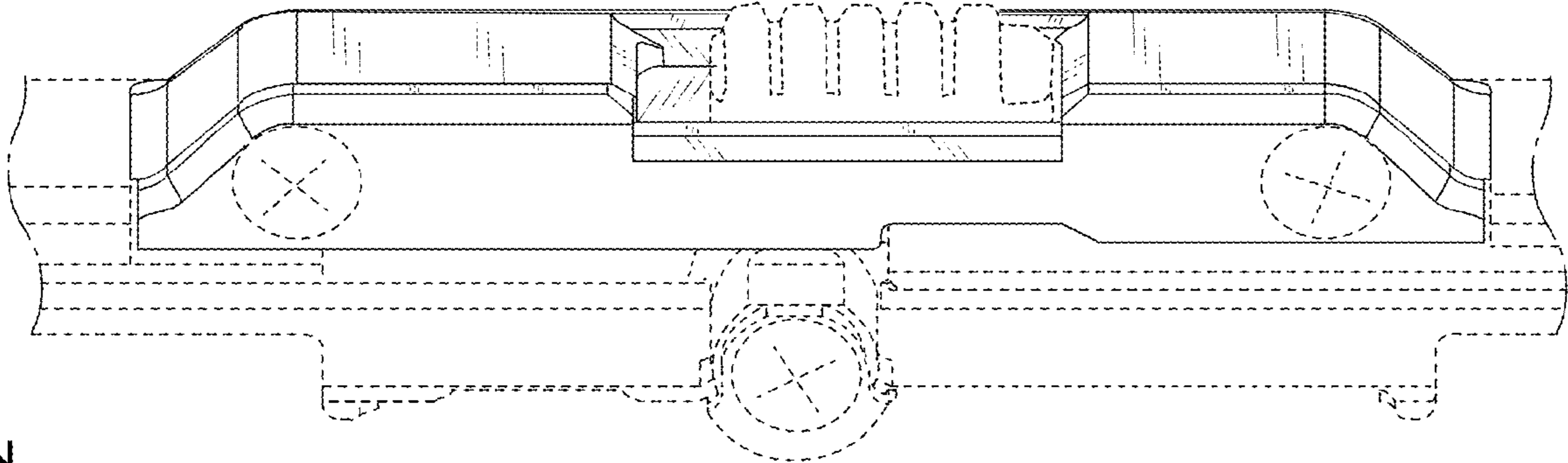


FIG. 22

FIG. 23

