



US00D898101S

(12) **United States Design Patent** (10) **Patent No.:** **US D898,101 S**
Takagi (45) **Date of Patent:** **** *Oct. 6, 2020**

(54) **DIGITAL CAMERA**

(71) Applicant: **FUJIFILM Corporation**, Minato-ku, Tokyo (JP)

(72) Inventor: **Masaaki Takagi**, Saitama (JP)

(73) Assignee: **FUJIFILM Corporation**, Tokyo (JP)

(*) Notice: This patent is subject to a terminal disclaimer.

(**) Term: **15 Years**

(21) Appl. No.: **29/694,791**

(22) Filed: **Jun. 13, 2019**

Related U.S. Application Data

(63) Continuation of application No. 29/589,922, filed on Jan. 5, 2017, now Pat. No. Des. 855,679.

(30) **Foreign Application Priority Data**

Jul. 6, 2016 (JP) 2016-014427

(51) **LOC (12) Cl.** **16-05**

(52) **U.S. Cl.**
USPC **D16/219**

(58) **Field of Classification Search**
USPC D16/200–220, 229, 245, 249, 250, 136;
D28/82–84; D3/10, 18, 20, 201, 203.1,
D3/203.2, 203.3, 207, 208, 217, 225, 230,
D3/242, 263–265, 273–275, 315, 318,
D3/326, 901, 903, 905; D8/330, 382,
D8/404
CPC ... G02B 7/02; G02B 7/04; G02B 7/14; G02B
3/14; G03B 17/00; G03B 17/02; G03B
17/56; G03B 17/04; G03B 17/14; G03B
15/03; G03B 9/08; H04N 5/2251; H04N
5/2252; H04N 5/2253; H04N 5/2254;
H04N 7/00; H04N 2101/00; F16M 13/00;
B65D 2251/1033

See application file for complete search history.

(56) **References Cited**

U.S. PATENT DOCUMENTS

D345,294 S * 3/1994 Palmer D8/331
D348,211 S * 6/1994 Crocker, III D8/339

(Continued)

FOREIGN PATENT DOCUMENTS

EM 003568286-0001 * 1/2017
EM 003568310-0001 * 1/2017
JP D1508890 S 10/2014

Primary Examiner — T Chase Nelson

Assistant Examiner — Mary Claire Ramirez

(74) *Attorney, Agent, or Firm* — Sughrue Mion, PLLC

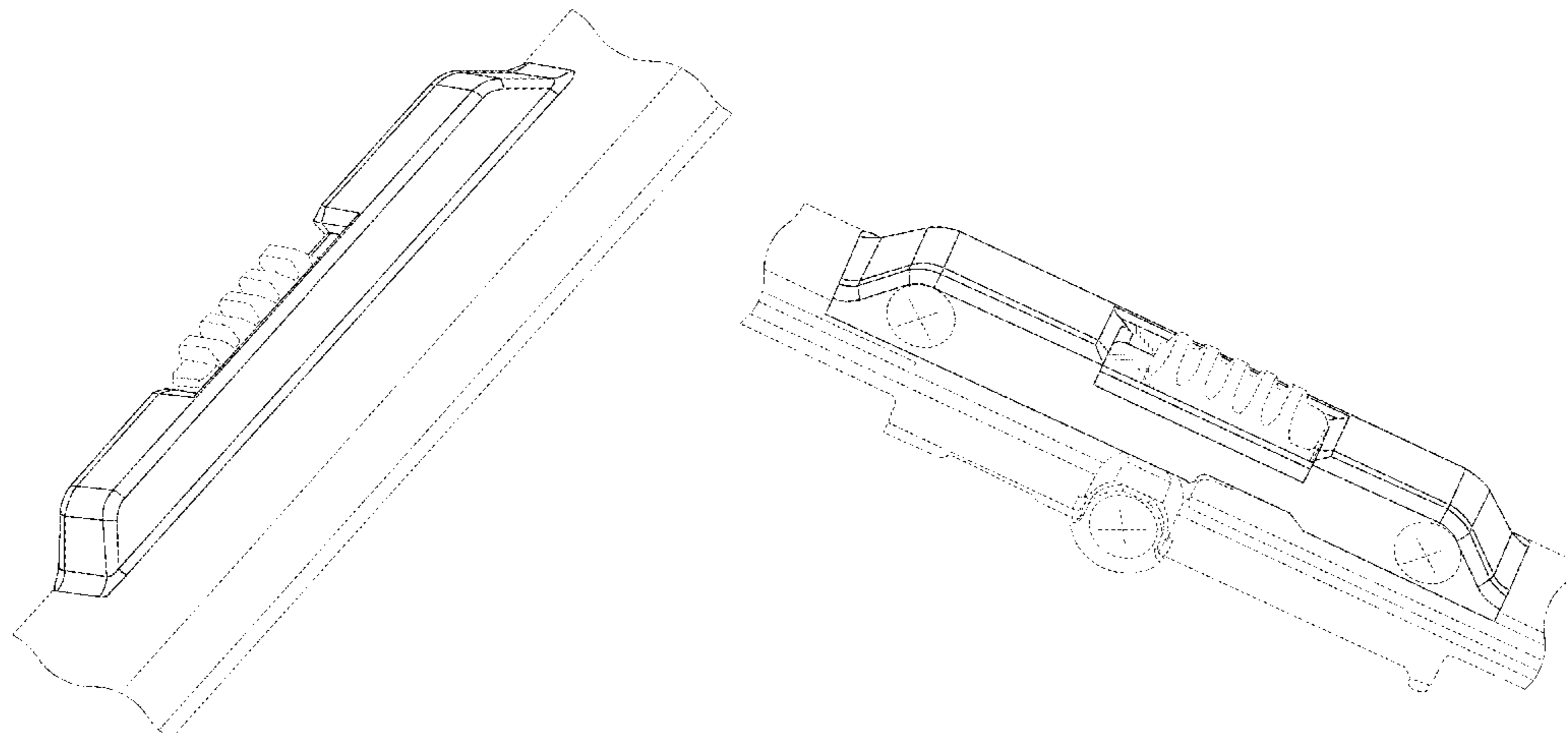
(57) **CLAIM**

The ornamental design for a digital camera, as shown and described.

DESCRIPTION

FIG. 1 is a rear, left perspective view of a digital camera showing the new design;
FIG. 2 is a rear, bottom, left perspective view thereof;
FIG. 3 is a front view thereof;
FIG. 4 is a rear view thereof;
FIG. 5 is a right side view thereof;
FIG. 6 is a left side view thereof;
FIG. 7 is a top view thereof;
FIG. 8 is a bottom view thereof;
FIG. 9 is an enlarged view of the claimed portion of FIG. 1;
FIG. 10 is an enlarged view of the claimed portion of FIG. 5;
FIG. 11 is an enlarged view of the upper part of the claimed portion of FIG. 7; and,
FIG. 12 is an enlarged view of the lower part of the claimed portion of FIG. 7.
The broken lines shown in the drawings depict portions of the digital camera that form no part of the claimed design.

1 Claim, 12 Drawing Sheets



(56)

References Cited

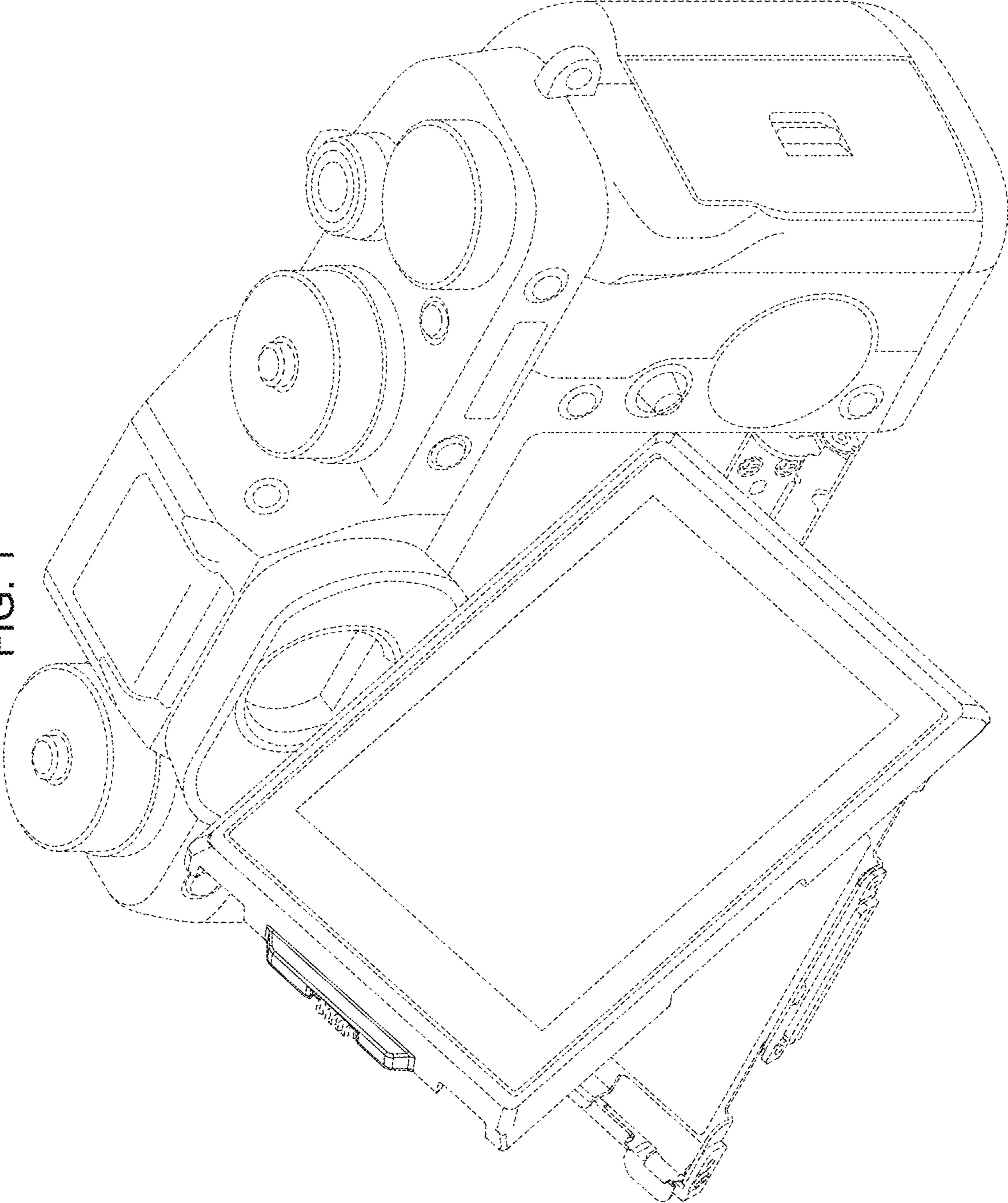
U.S. PATENT DOCUMENTS

5,638,838	A *	6/1997	Lombardi	A45C 13/005	132/294
D382,399	S *	8/1997	Hambleton	D3/263	
5,787,906	A *	8/1998	D'Andrea	A45C 13/1084	132/293
5,822,001	A *	10/1998	Morikawa	G11B 15/675	348/375
D429,267	S *	8/2000	Sumita	D16/202	
D477,912	S *	8/2003	Cunningham	D3/273	
D552,797	S *	10/2007	Kueth	D28/83	
7,385,647	B2 *	6/2008	Park	H04N 5/2252	348/376
D612,594	S *	3/2010	Wade	D3/203.2	
8,325,270	B2 *	12/2012	Woodman	G03B 17/56	348/375
D677,303	S ‡	3/2013	Nojima	D16/219	
8,444,005	B2 *	5/2013	Kawai	G03B 17/02	220/811
8,456,587	B2 *	6/2013	Kei	G03B 17/02	349/58
D692,657	S *	11/2013	Hyma	D3/220	
D696,009	S *	12/2013	Priebe	D3/203.3	
D700,229	S ‡	2/2014	Ham	D16/202	
D713,869	S ‡	9/2014	Kim	D16/202	
D724,643	S *	3/2015	Kim	D16/219	
D727,990	S ‡	4/2015	Sakai	D16/202	
D740,559	S *	10/2015	Steele	D3/281	
9,264,593	B2 *	2/2016	Takahashi	H04N 1/00384	
D755,873	S *	5/2016	Odashima	D16/202	
9,413,971	B2 *	8/2016	Mitsui	H05K 5/0017	
9,444,980	B2 *	9/2016	Ujiie	H04N 5/23293	
9,541,340	B2 *	1/2017	Fluhr	F41A 17/38	
9,568,806	B2 *	2/2017	Kim	H04N 5/232933	
D783,418	S ‡	4/2017	Menkin	D9/723	
D789,086	S *	6/2017	Lin	D3/294	
D795,939	S *	8/2017	Hoshi	D16/202	
9,826,134	B2 ‡	11/2017	Ohtsuka	H04N 5/23203	
10,070,020	B2 *	9/2018	Akiyama	G03B 17/04	
D838,764	S ‡	1/2019	Imai	D16/219	
D851,201	S *	6/2019	Hiler, Jr.	D22/108	
D855,679	S *	8/2019	Takagi	D16/219	
D856,395	S *	8/2019	Takagi	D16/219	
D863,685	S *	10/2019	Staab	D28/83	
D875,804	S *	2/2020	Li	D16/202	
10,582,096	B2 *	3/2020	Misawa	H04N 5/225	
10,602,069	B2 *	3/2020	Misawa	H04N 5/232	
2002/0150353	A1 *	10/2002	Chiu	G02B 6/3825	385/88
2005/0044904	A1 *	3/2005	Horngren	E05B 73/0023	70/57.1
2005/0285963	A1 *	12/2005	Misawa	H04N 5/2251	348/333.06
2006/0048392	A1 *	3/2006	Okada	B26B 5/002	30/162
2006/0065658	A1 *	3/2006	Brunson	B65D 50/046	220/503
2006/0215052	A1 *	9/2006	Nagaoka	H04N 5/2251	348/333.06
2006/0269272	A1 ‡	11/2006	Shibayama	H04N 5/2251	396/287
2007/0103554	A1 ‡	5/2007	Kaihara	G02B 27/0006	348/207.99
2007/0235368	A1 *	10/2007	Knutson	B65D 83/0463	206/535
2009/0078279	A1 *	3/2009	Boye	A45C 11/008	132/295
2009/0207303	A1 ‡	8/2009	Kusatsugu	G03B 13/00	348/376
2009/0266730	A1 *	10/2009	Lin	B25H 3/003	206/372
2010/0020184	A1 ‡	1/2010	Kurosawa	G03B 17/00	348/208.11
2010/0281736	A1 *	11/2010	Mayberry	F41A 21/481	42/49.01
2011/0026911	A1 ‡	2/2011	Kishida	G03B 13/06	396/374
2011/0298970	A1 *	12/2011	Shinohara	G03B 17/14	348/373
2012/0051732	A1 ‡	3/2012	Aoki	G03B 17/02	396/374
2012/0073143	A1 *	3/2012	Honda	B26B 5/002	30/162
2012/0081593	A1 ‡	4/2012	Nakagawa	G03B 13/04	348/333.06
2012/0105739	A1 ‡	5/2012	Shimizu	F21V 5/04	348/790
2013/0038769	A1 ‡	2/2013	Xiaoping	H04N 5/2251	348/333.01
2013/0093946	A1 ‡	4/2013	Nakagawa	H04N 5/2252	348/374
2013/0180750	A1 ‡	7/2013	Fujiwara	G03B 17/02	174/50
2014/0001938	A1 *	1/2014	Migli	E05C 19/022	312/319.1
2014/0063335	A1 ‡	3/2014	Hirai	H04N 5/2252	348/374
2014/0184903	A1 ‡	7/2014	Takahashi	H04N 5/2254	348/374
2014/0253777	A1 *	9/2014	Yamaura	H04N 5/2252	348/333.06
2014/0352191	A1 *	12/2014	Fritz	F41A 3/66	42/75.03
2015/0107051	A1 ‡	4/2015	Sakai	G03B 17/02	16/223
2015/0281529	A1 *	10/2015	Takagi	H04N 5/2252	348/374
2016/0066451	A1 *	3/2016	Mitsui	G06F 1/1616	348/333.06
2016/0069628	A1 *	3/2016	Fluhr	F41A 35/06	42/6
2016/0252798	A1 ‡	9/2016	Igi	G03B 17/08	348/375
2016/0286116	A1 ‡	9/2016	Ohtsuka	H04N 5/23203	
2017/0078535	A1 ‡	3/2017	Akiyama	G03B 17/02	
2017/0078579	A1 ‡	3/2017	Akiyama	H04N 5/23293	
2018/0170694	A1 *	6/2018	Takagi	B65H 3/06	
2018/0210315	A1 *	7/2018	Takagi	G03B 17/04	
2020/0089441	A1 *	3/2020	Fujimoto	G06K 15/40	

* cited by examiner

‡ imported from a related application

FIG. 1



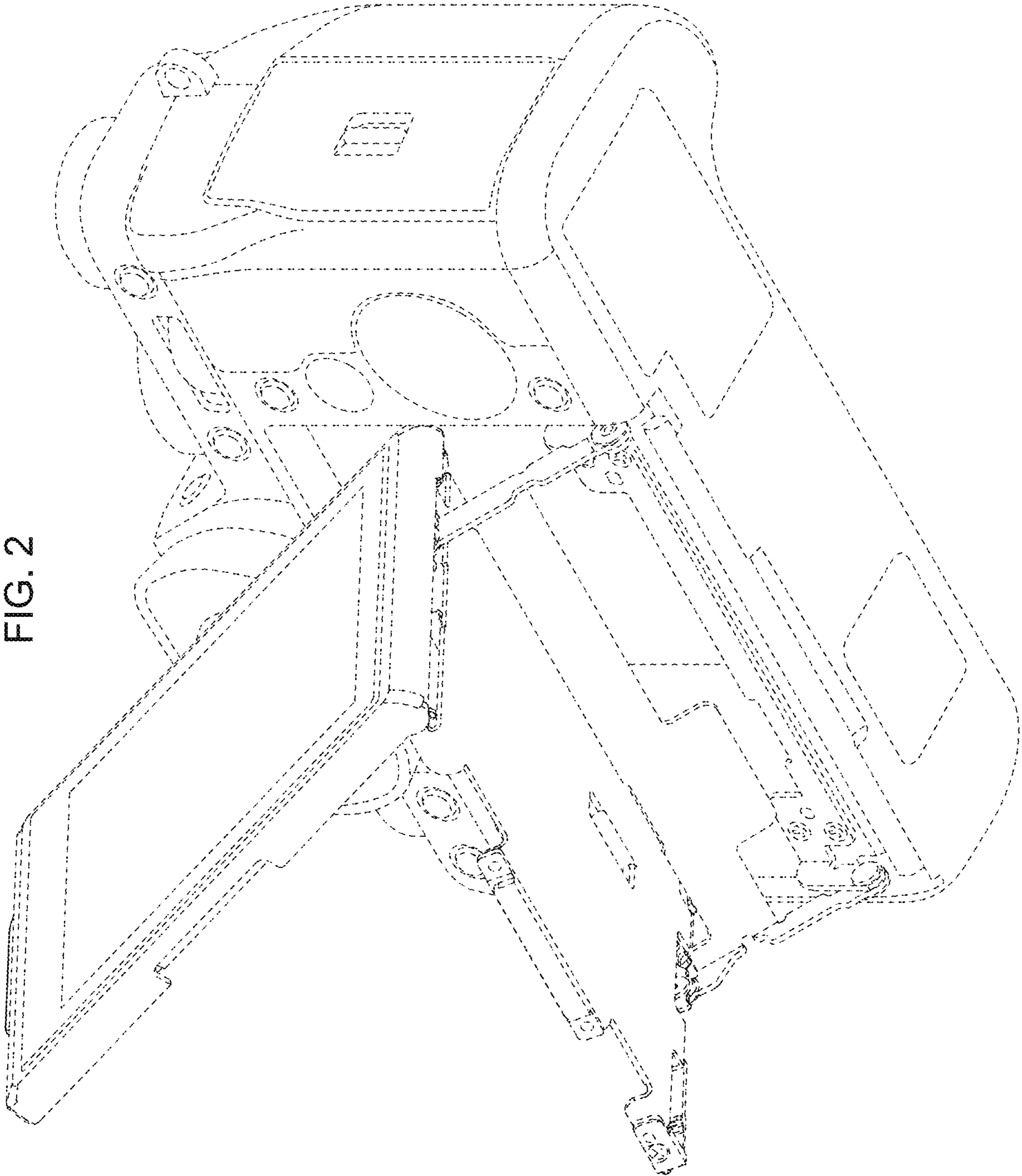


FIG. 2

FIG. 3

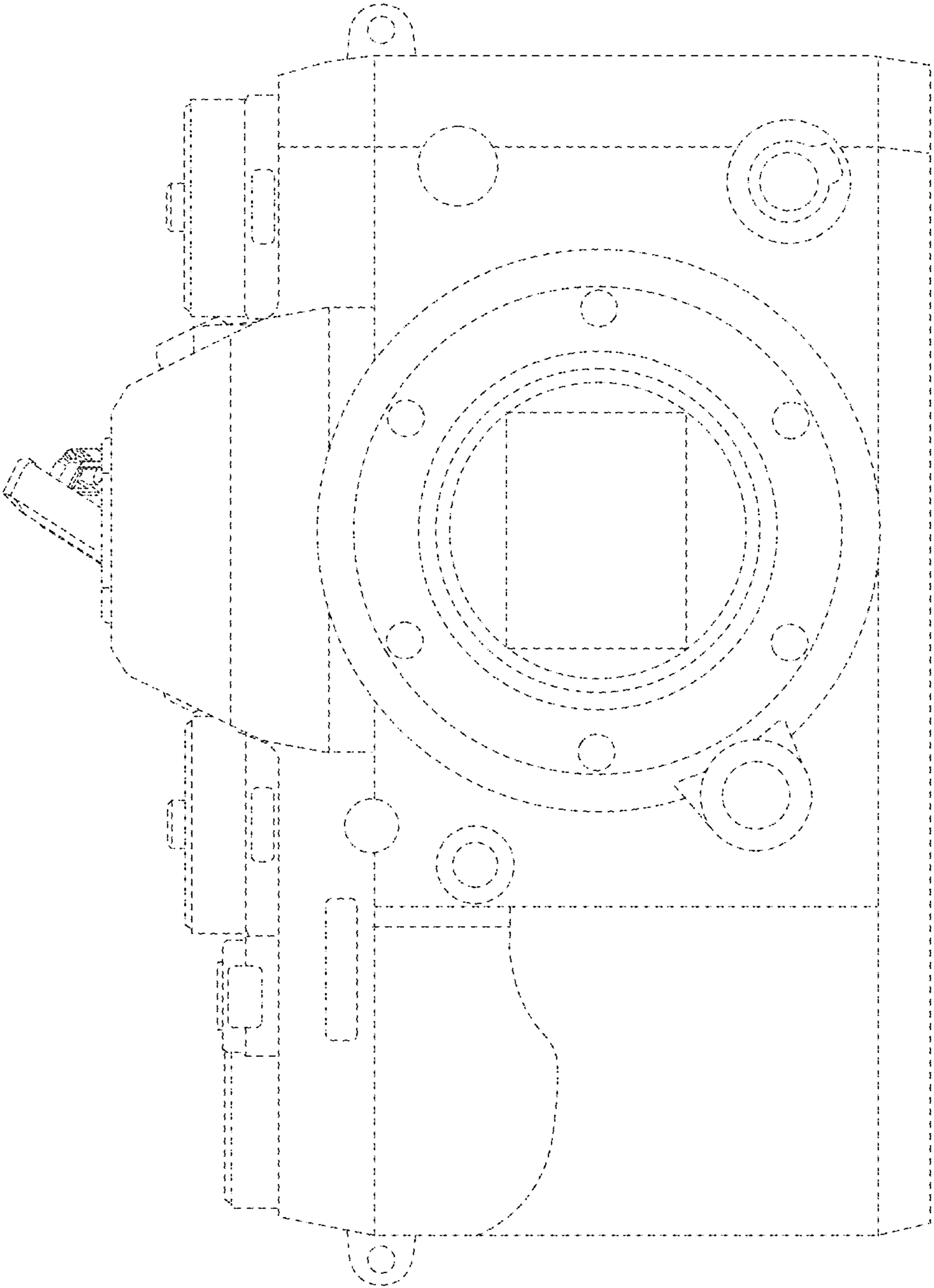


FIG. 4

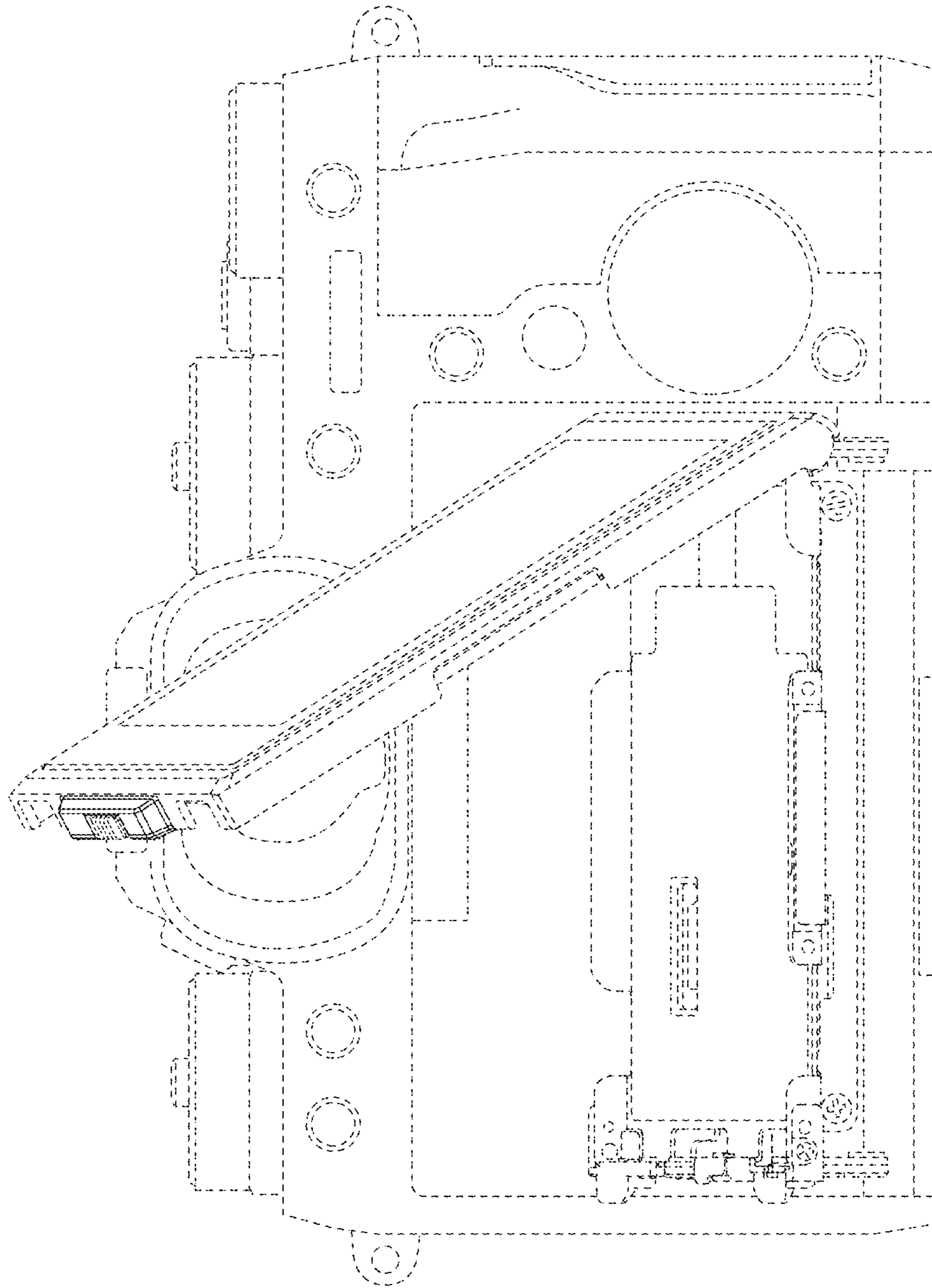


FIG. 5

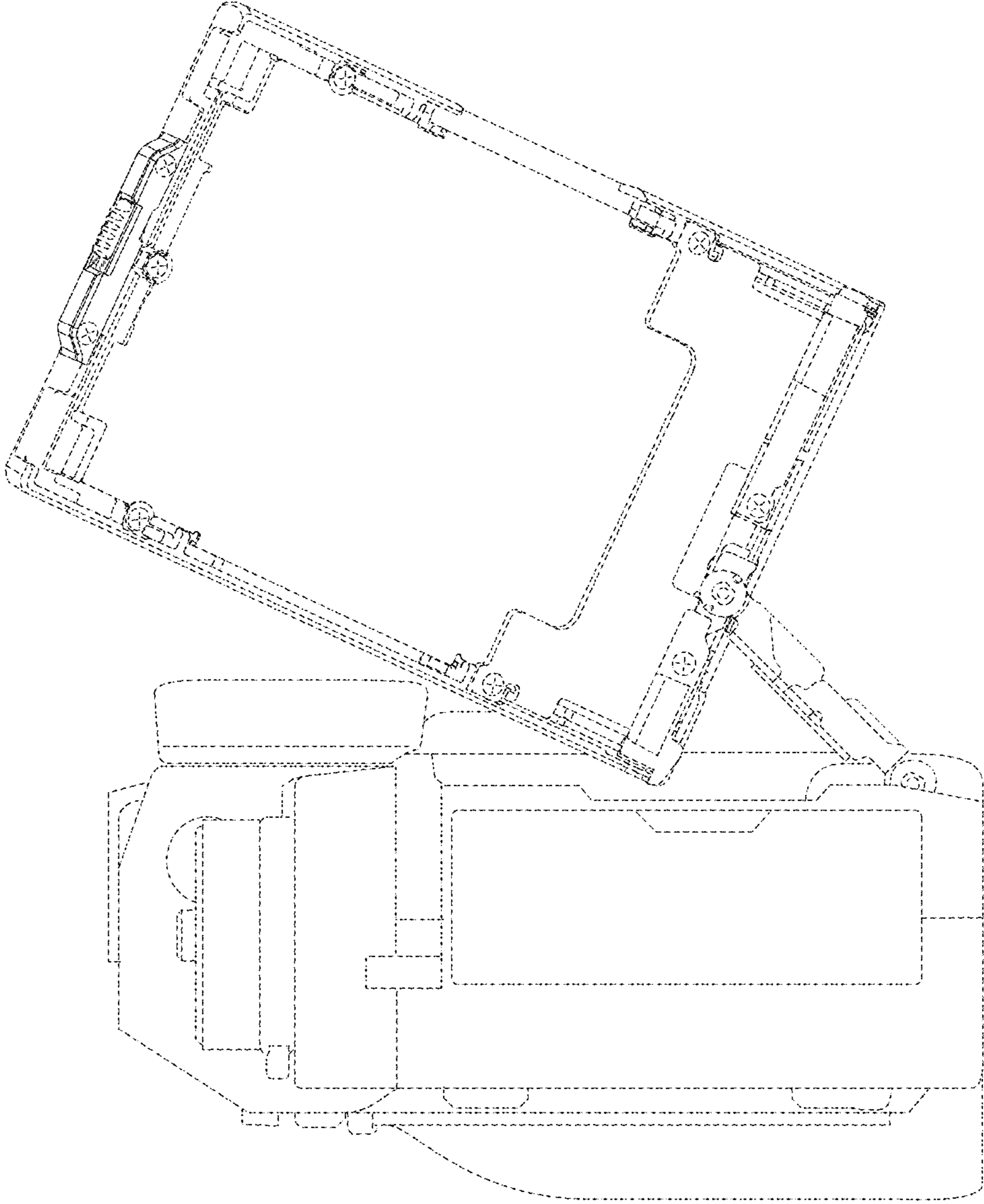


FIG. 6

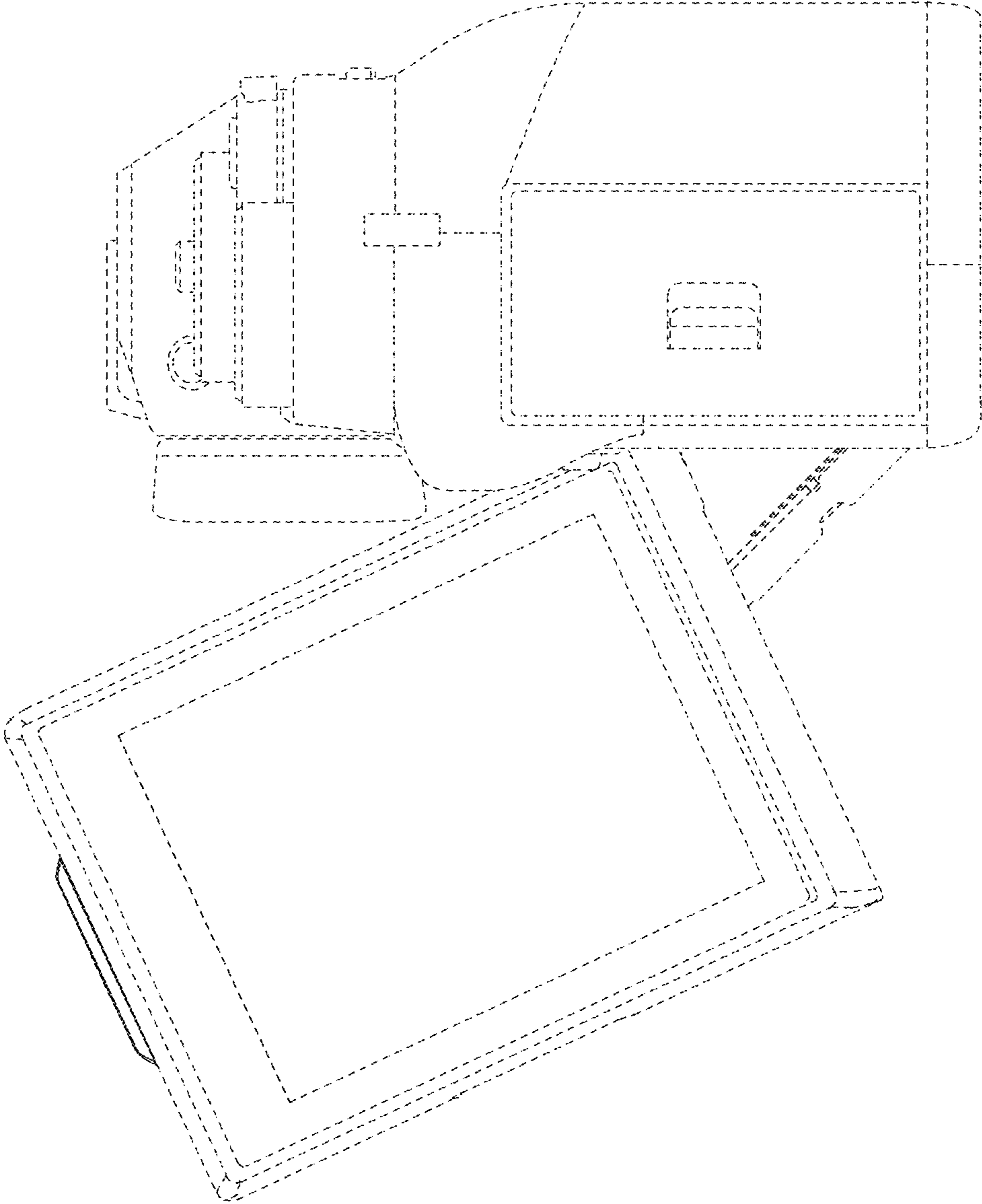


FIG. 7

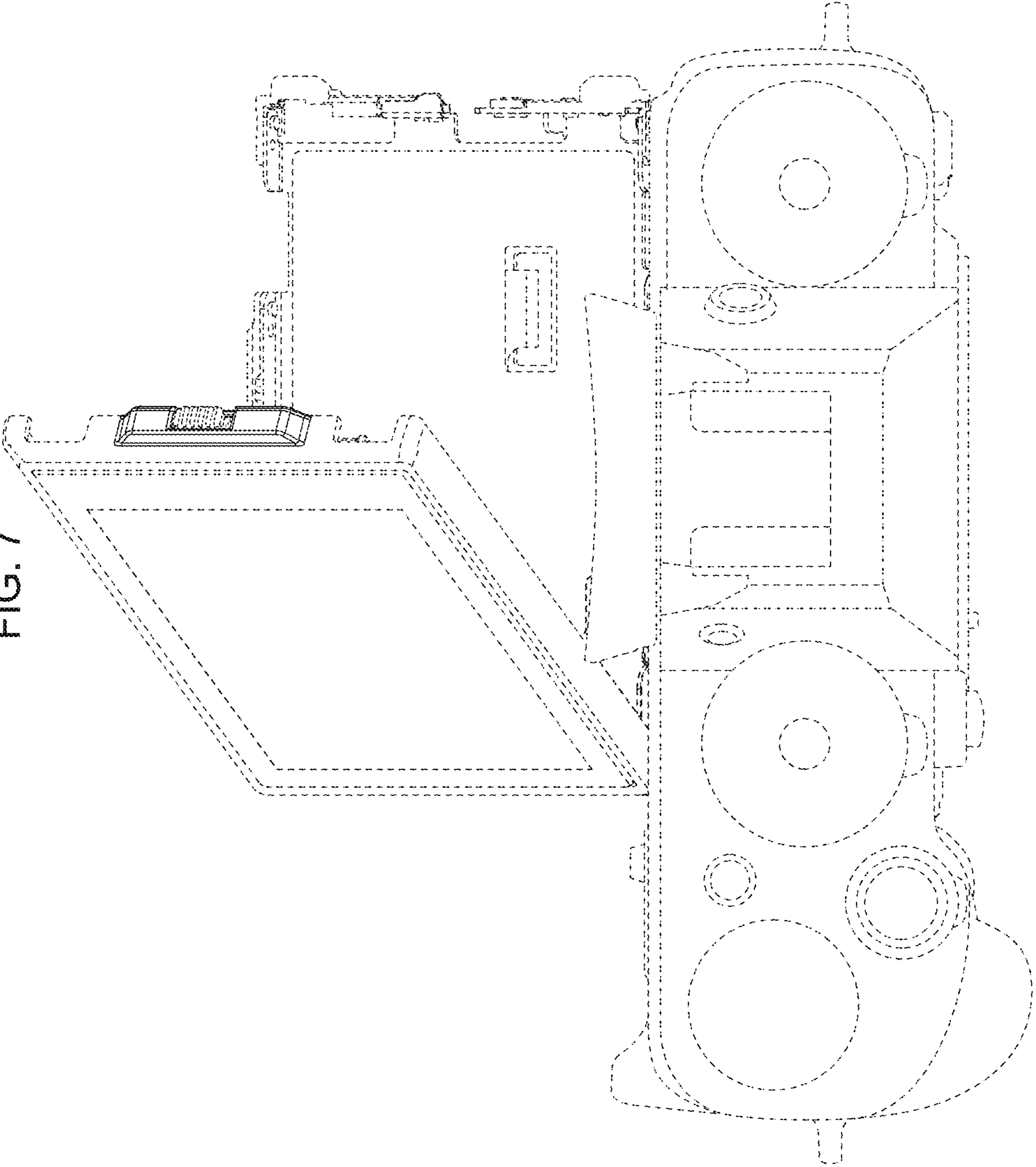


FIG. 8

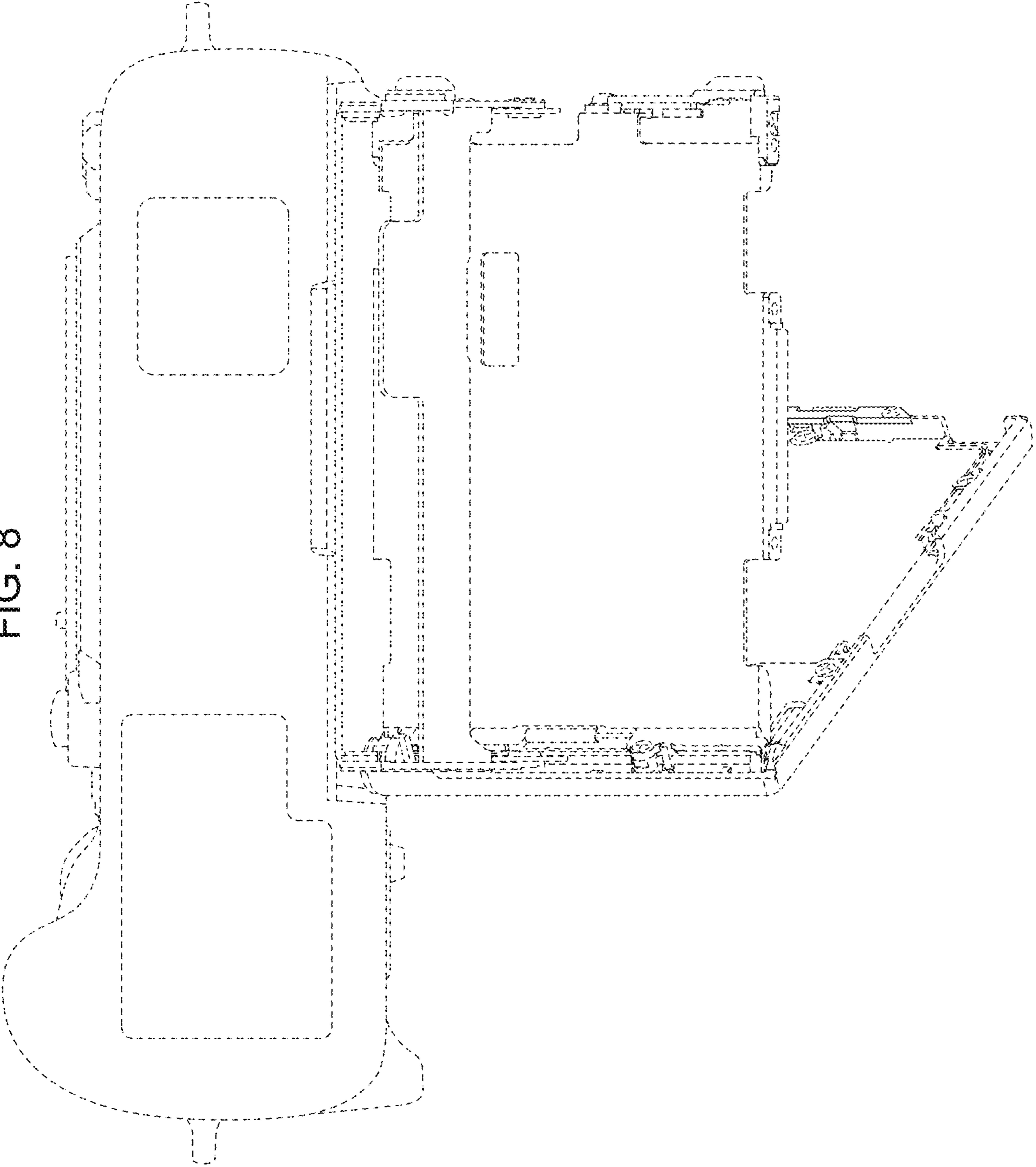


FIG. 9

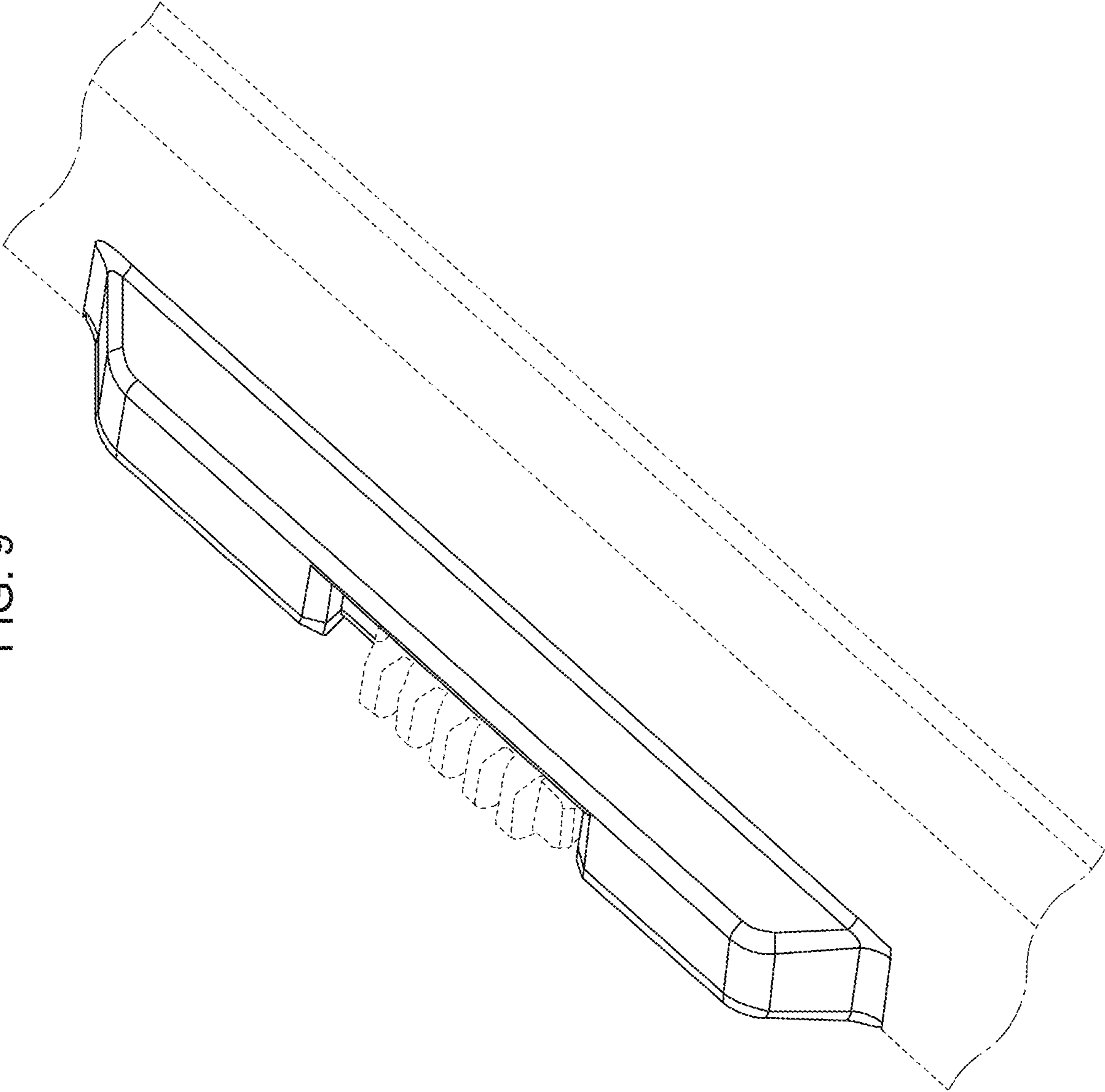


FIG. 10

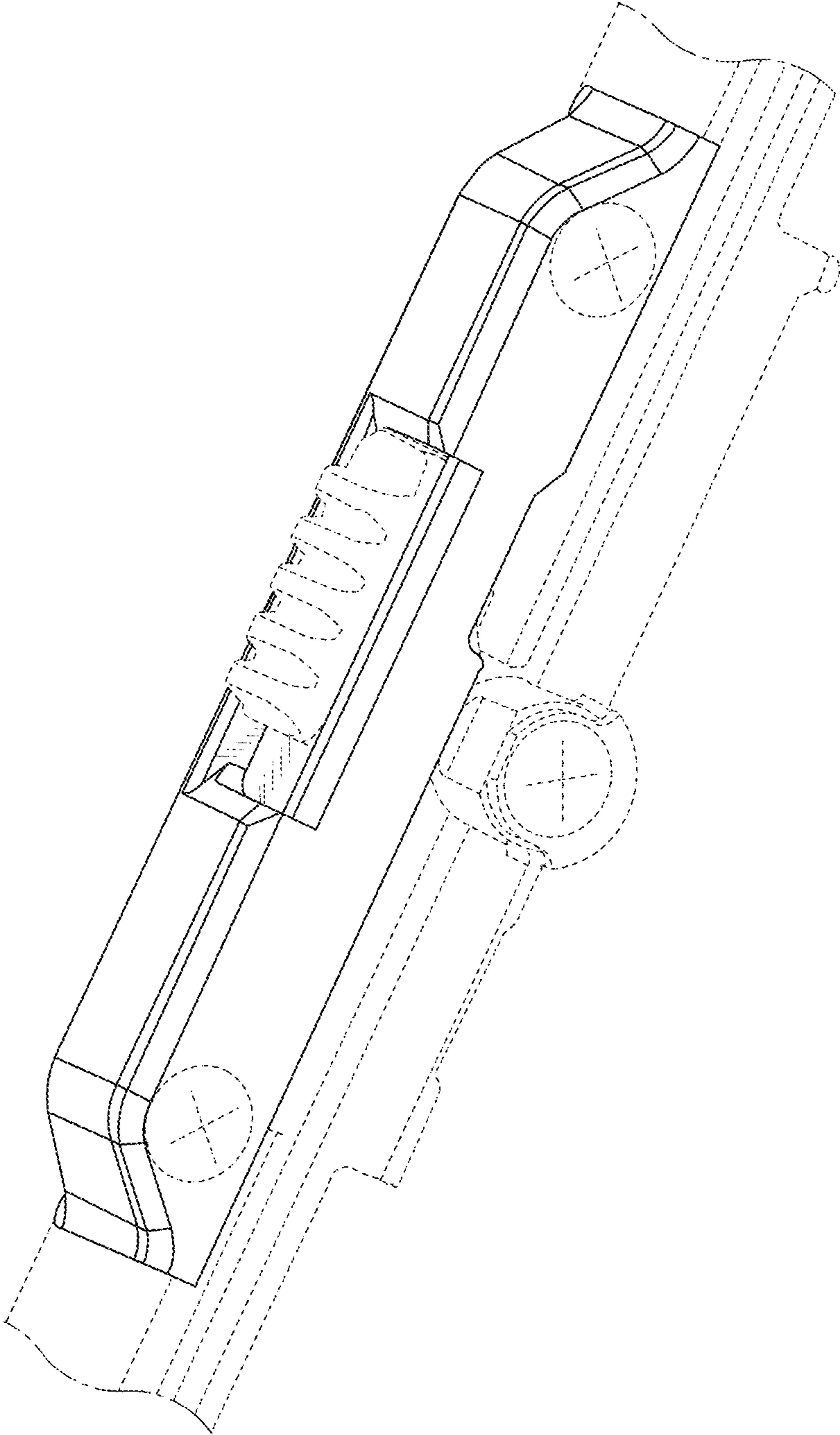


FIG. 11

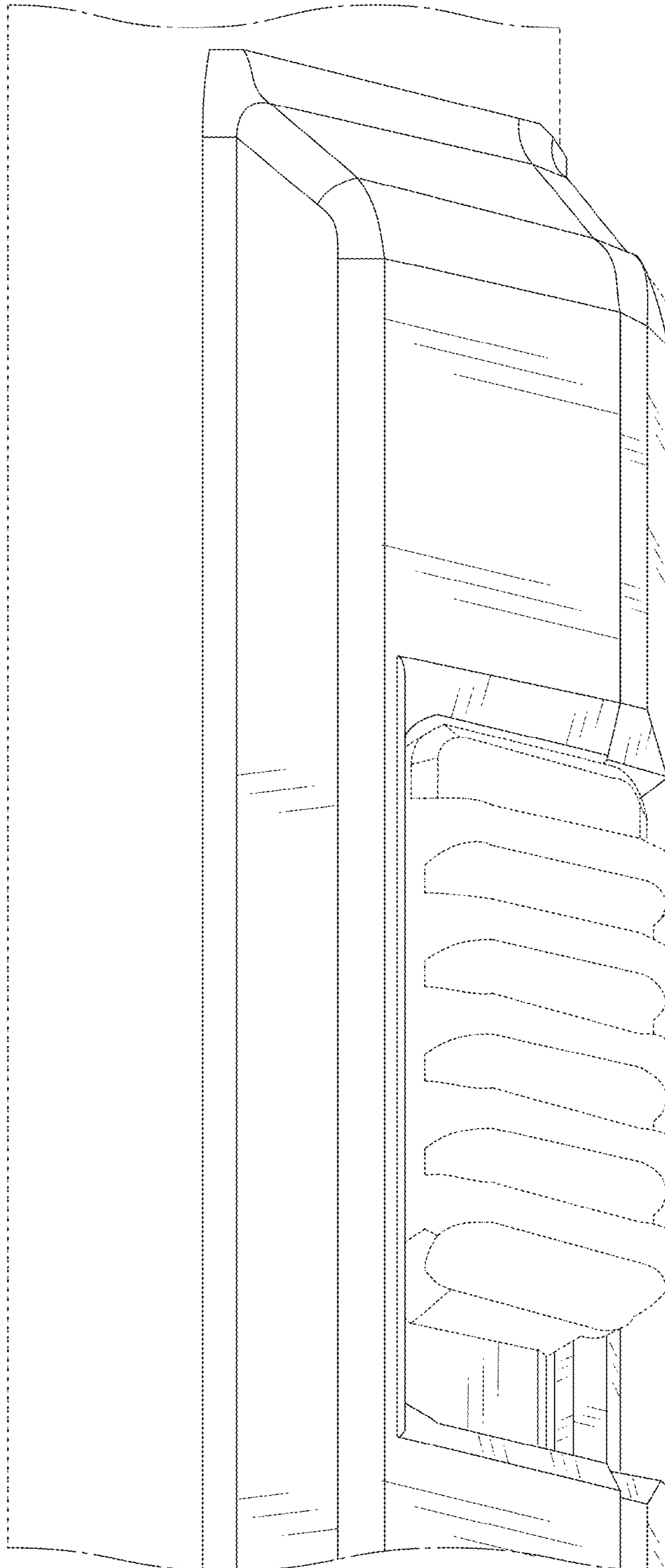


FIG. 12

