



US00D898100S

(12) **United States Design Patent**
Liu et al.

(10) **Patent No.:** **US D898,100 S**
(45) **Date of Patent:** **** Oct. 6, 2020**

(54) **CAMERA**

(71) Applicant: **ARASHI VISION INC.**, Shenzhen (CN)

(72) Inventors: **Jingkang Liu**, Shenzhen (CN); **Wen Su**, Shenzhen (CN); **Lingwu Huang**, Shenzhen (CN)

(73) Assignee: **ARASHI VISION INC.**, Shenzhen (CN)

(**) Term: **15 Years**

(21) Appl. No.: **29/705,276**

(22) Filed: **Sep. 11, 2019**

(51) **LOC (12) Cl.** **16-01**

(52) **U.S. Cl.**
USPC **D16/218; D16/202**

(58) **Field of Classification Search**
USPC D16/200, 202–206, 208, 209, 218, 219;
348/294, 373–376; 359/826; 396/6, 529,
396/535, 539–541
CPC G03B 15/03; G03B 17/02; G03B 17/04;
G03B 17/56; G03B 19/04; H04N 5/2251;
H04N 5/2252; H04N 5/2253; H04N
5/2254; H04N 2101/00

See application file for complete search history.

(56) **References Cited**

U.S. PATENT DOCUMENTS

D480,741 S * 10/2003 Berger D16/202
D523,459 S * 6/2006 Matsuda D16/202

D529,062 S * 9/2006 Matsuda D16/202
D531,199 S * 10/2006 Matsuda D16/202
D586,835 S * 2/2009 Koza D16/202
D659,733 S * 5/2012 Chen D16/202
D750,686 S * 3/2016 Chen D16/218
D775,254 S * 12/2016 Parfitt D16/202
D777,236 S * 1/2017 Mai D16/218
D855,675 S * 8/2019 Luo D16/202
D867,420 S * 11/2019 Zhang D16/202
D870,183 S * 12/2019 Tsukamoto D16/218
D872,162 S * 1/2020 Gao D16/218

* cited by examiner

Primary Examiner — Ramzi S Almatrahi

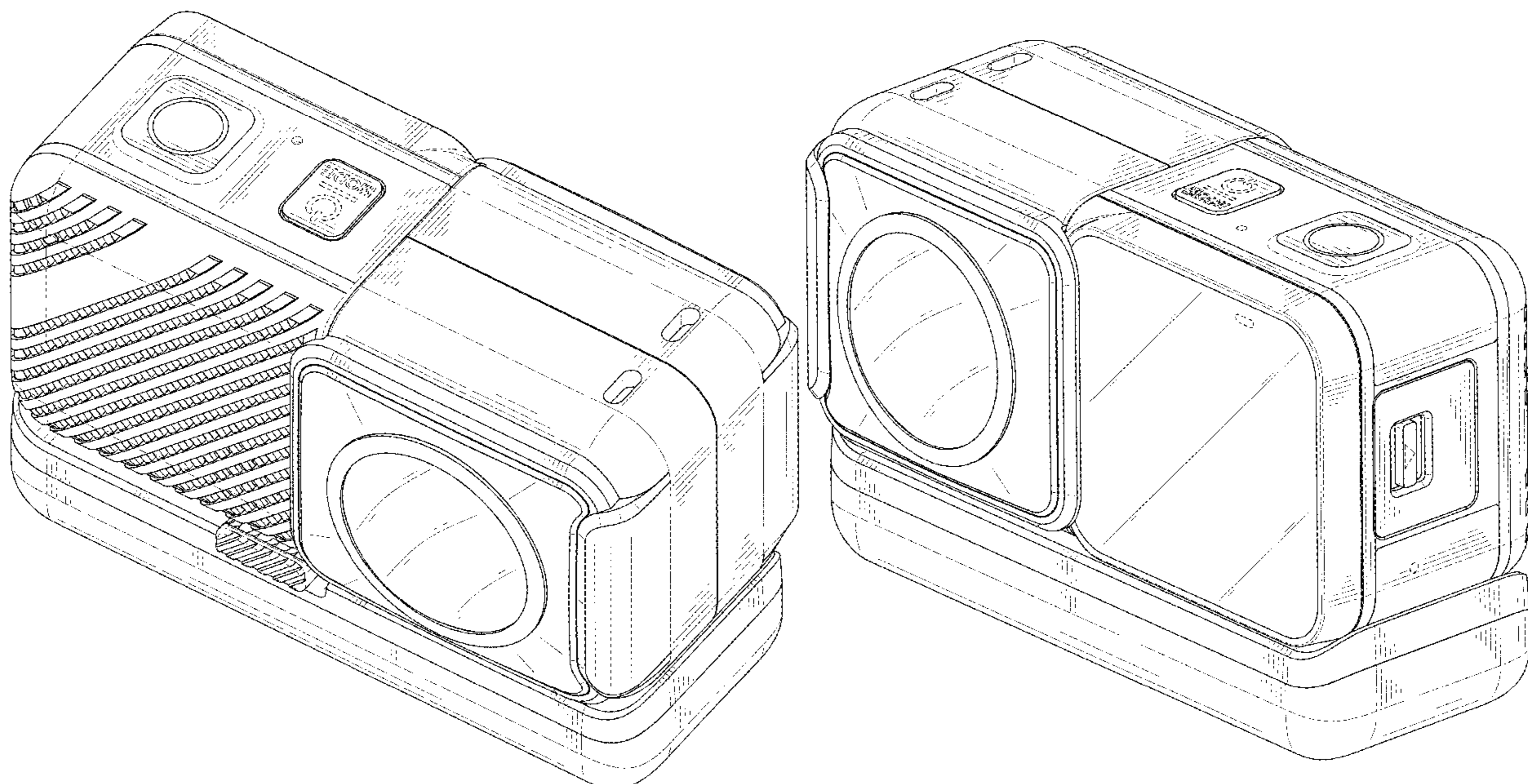
(57) **CLAIM**

The ornamental design for a camera, as shown and described.

DESCRIPTION

FIG. 1 is a top, front and right side perspective view of a camera showing our new design;
FIG. 2 is a top, rear and left side perspective view thereof;
FIG. 3 is a front elevation view thereof;
FIG. 4 is a rear elevation view thereof;
FIG. 5 is a left side elevation view thereof;
FIG. 6 is a right side elevation view thereof;
FIG. 7 is a top plan view thereof; and,
FIG. 8 is a bottom plan view thereof.
The broken lines in the drawings illustrate portions of the camera which form no part of the claimed design.

1 Claim, 8 Drawing Sheets



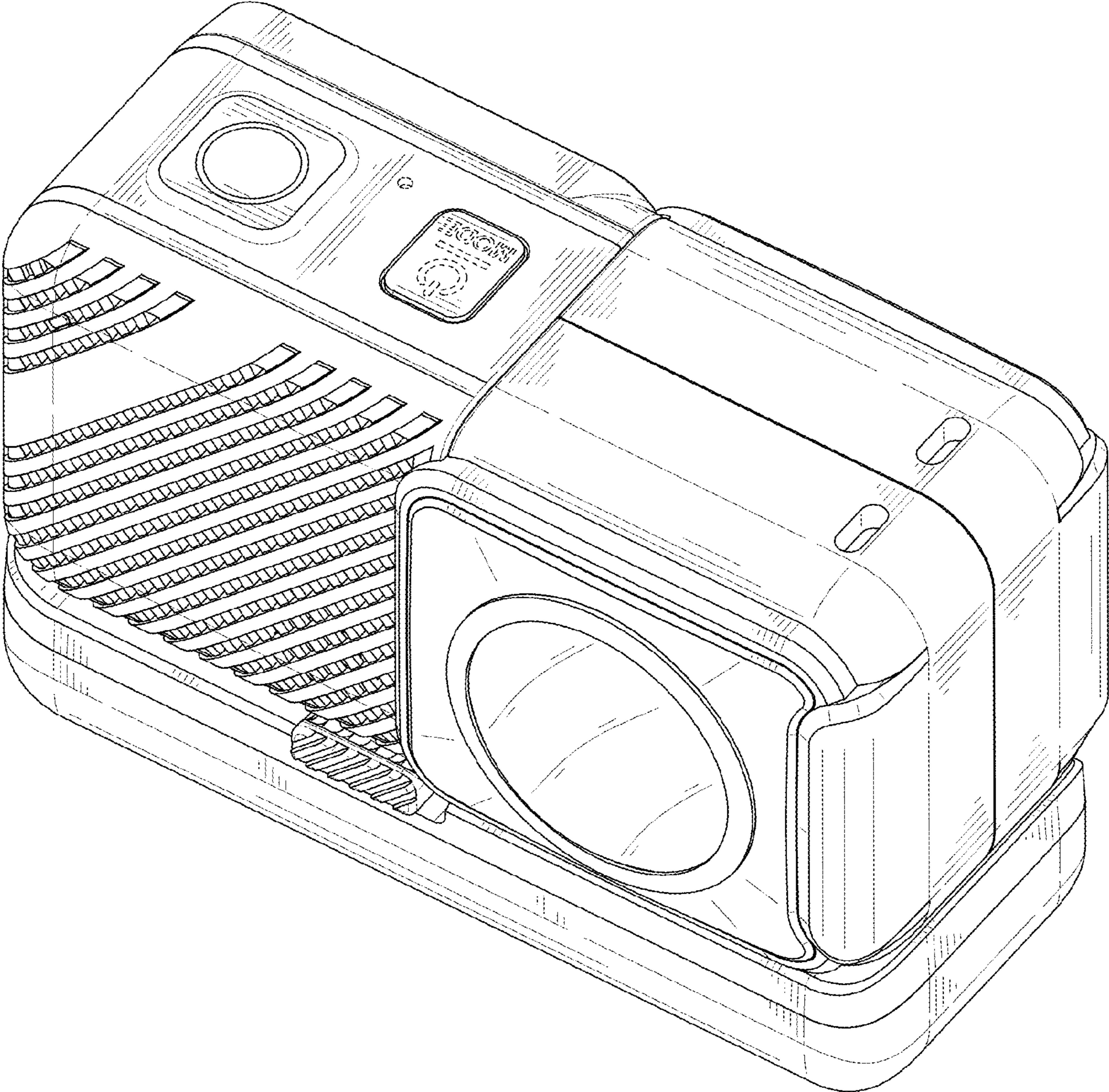


FIG. 1

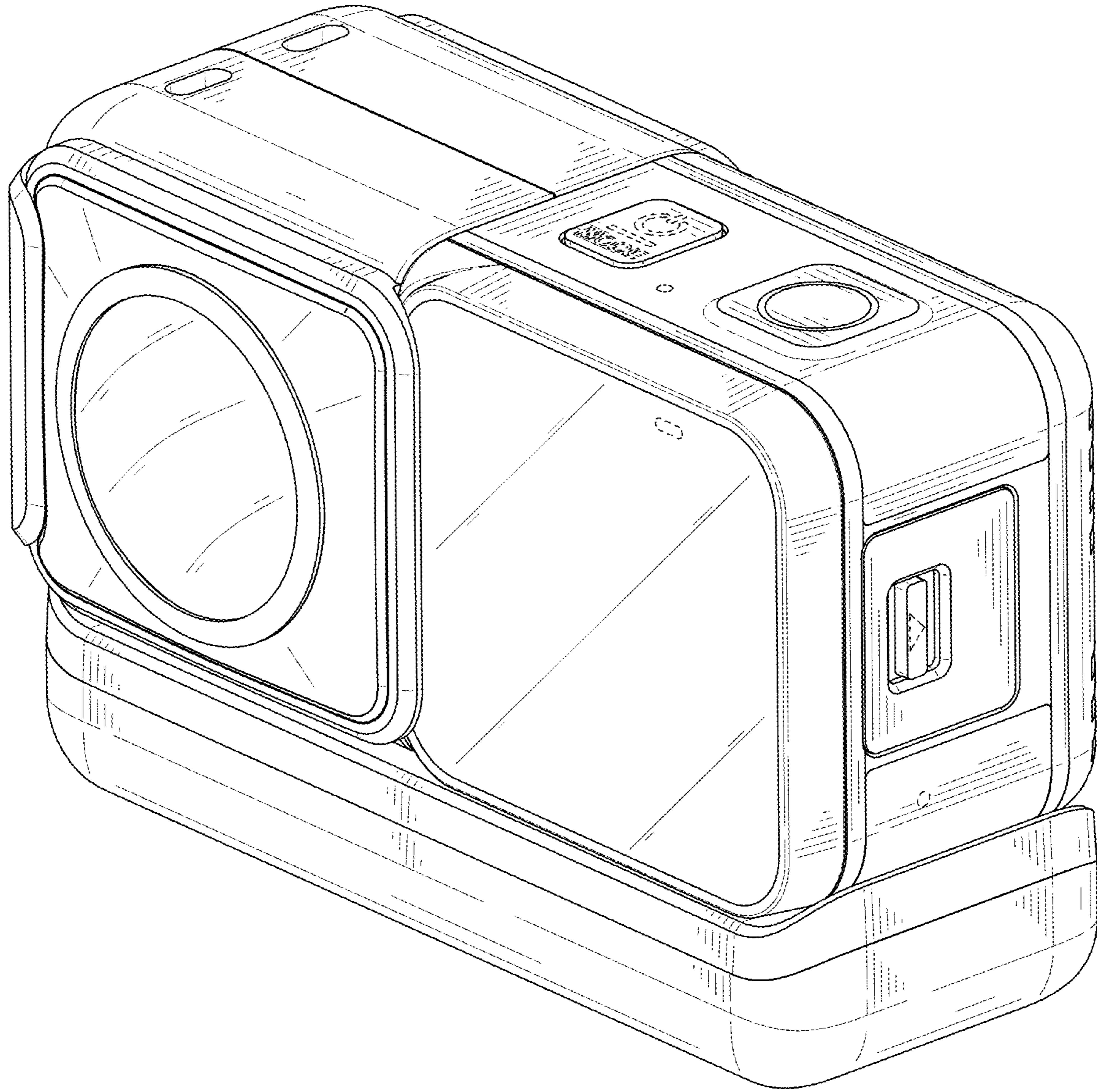


FIG. 2

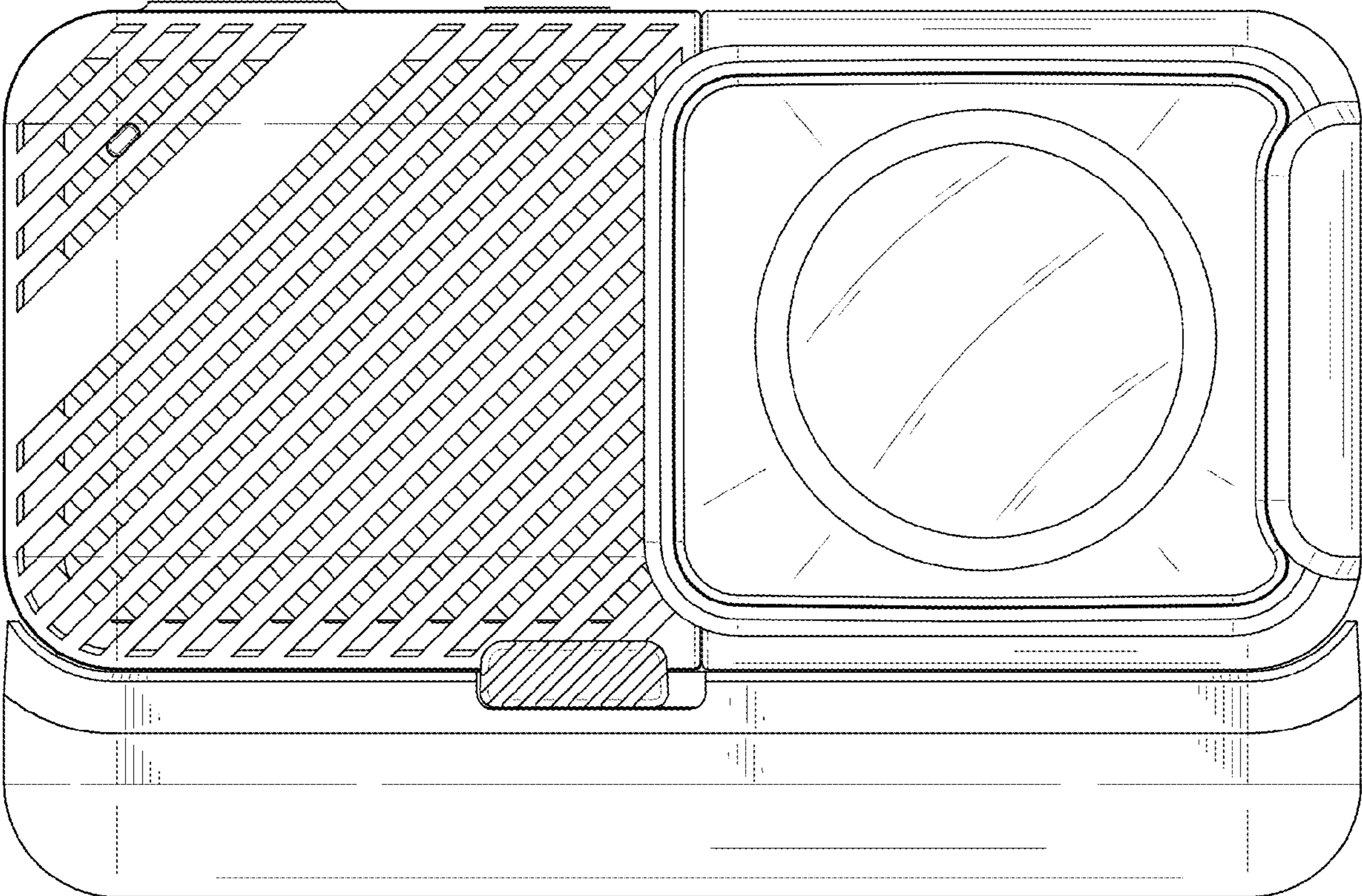


FIG. 3

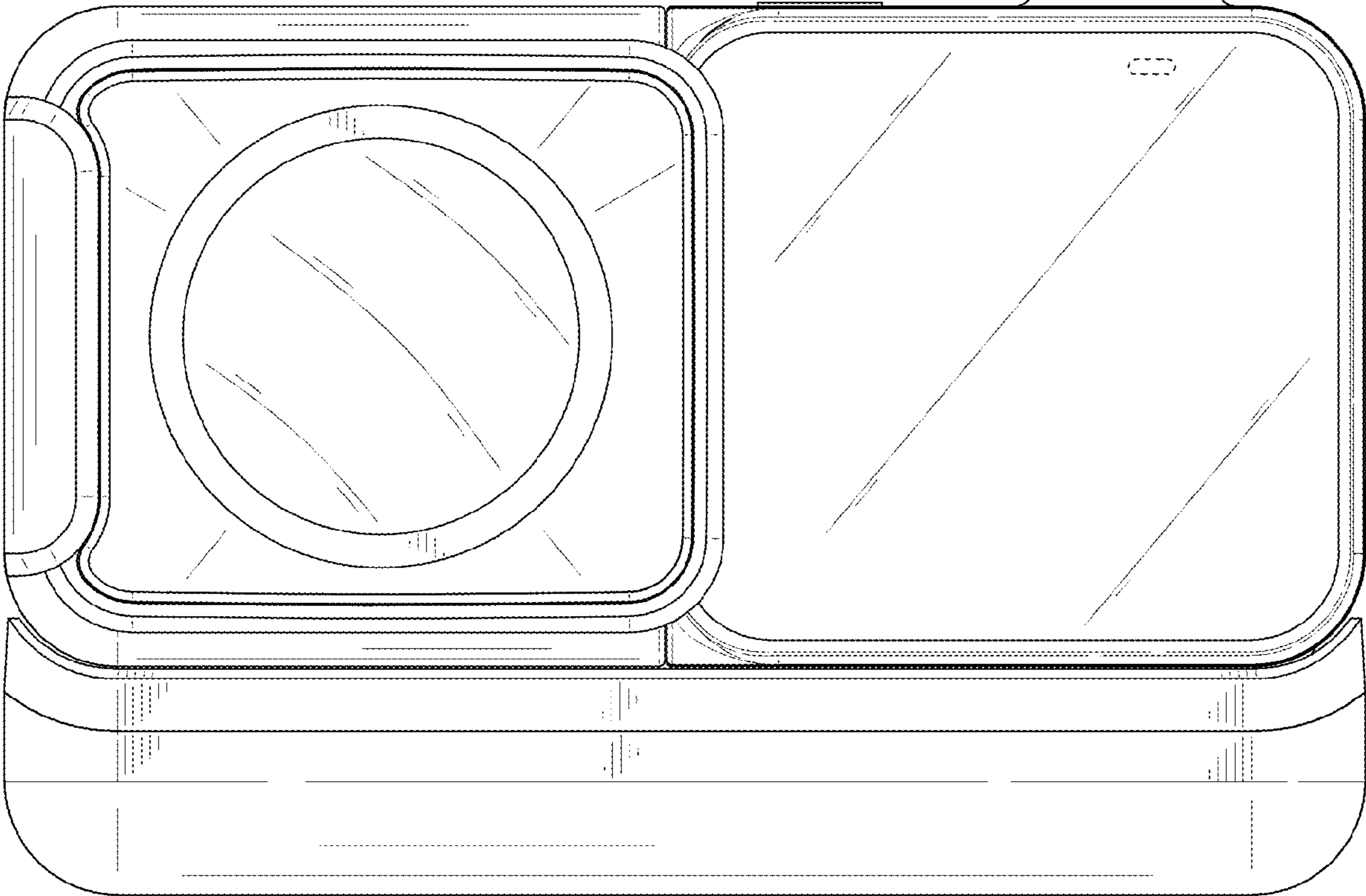


FIG. 4

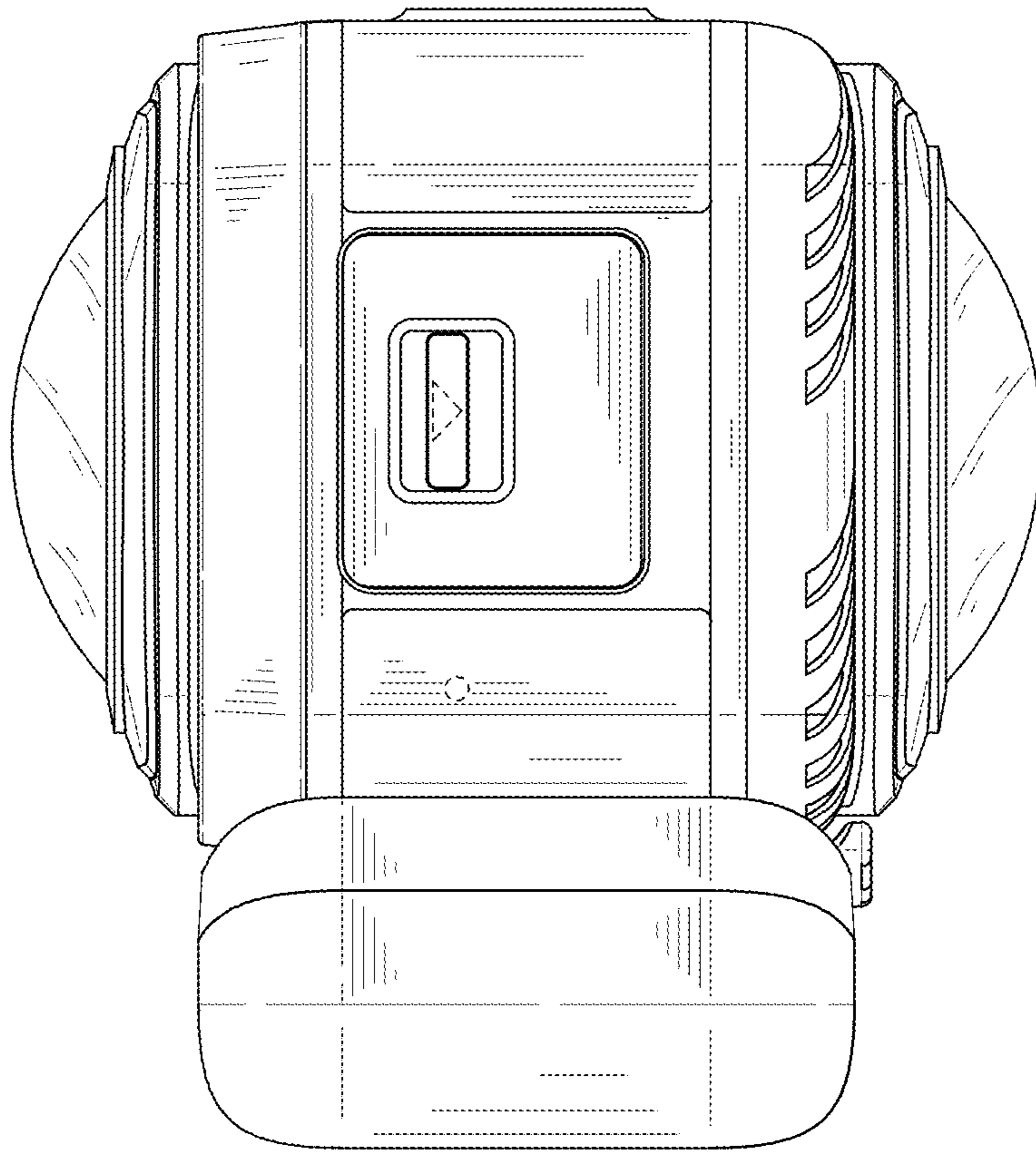


FIG. 5

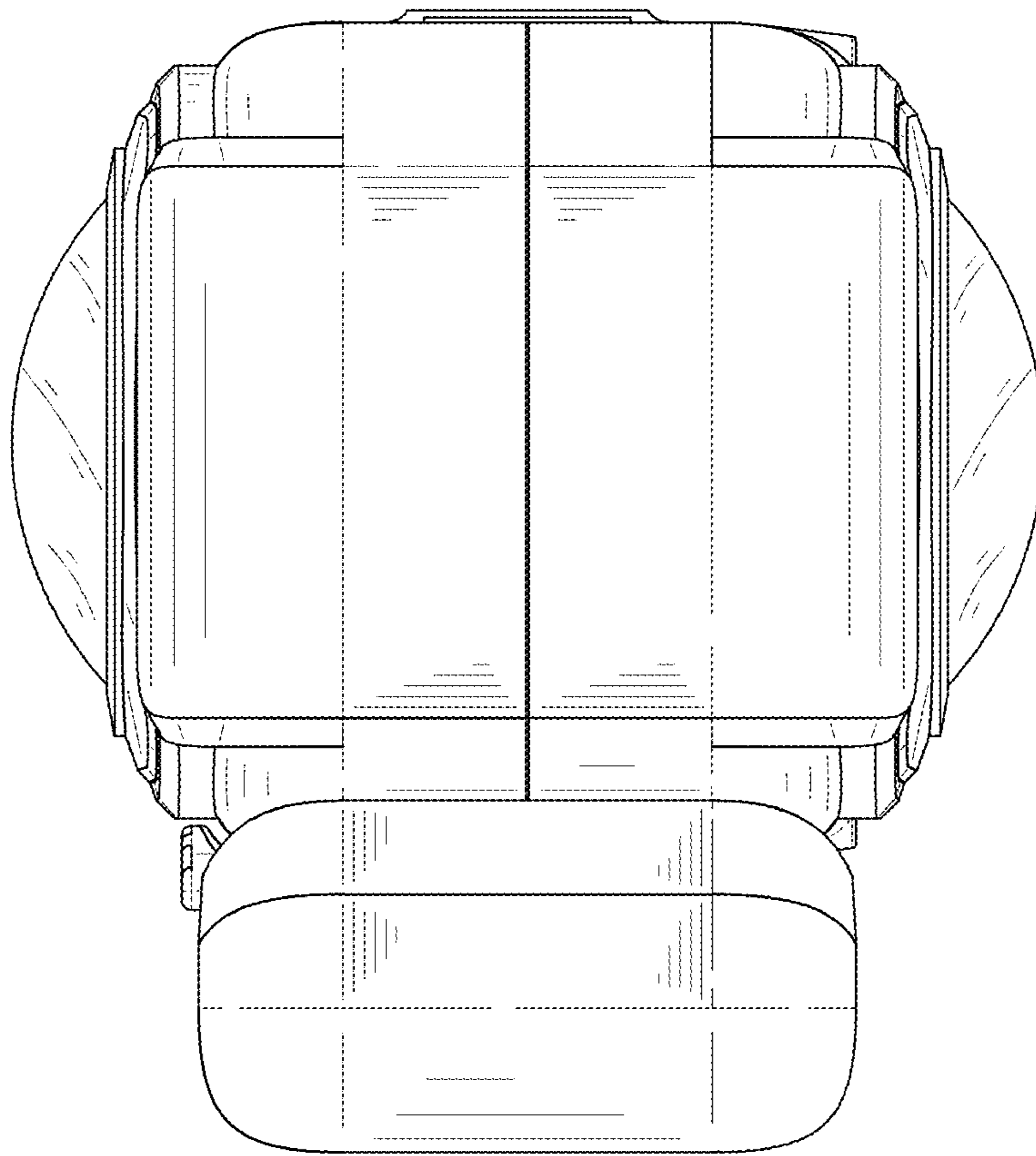


FIG. 6

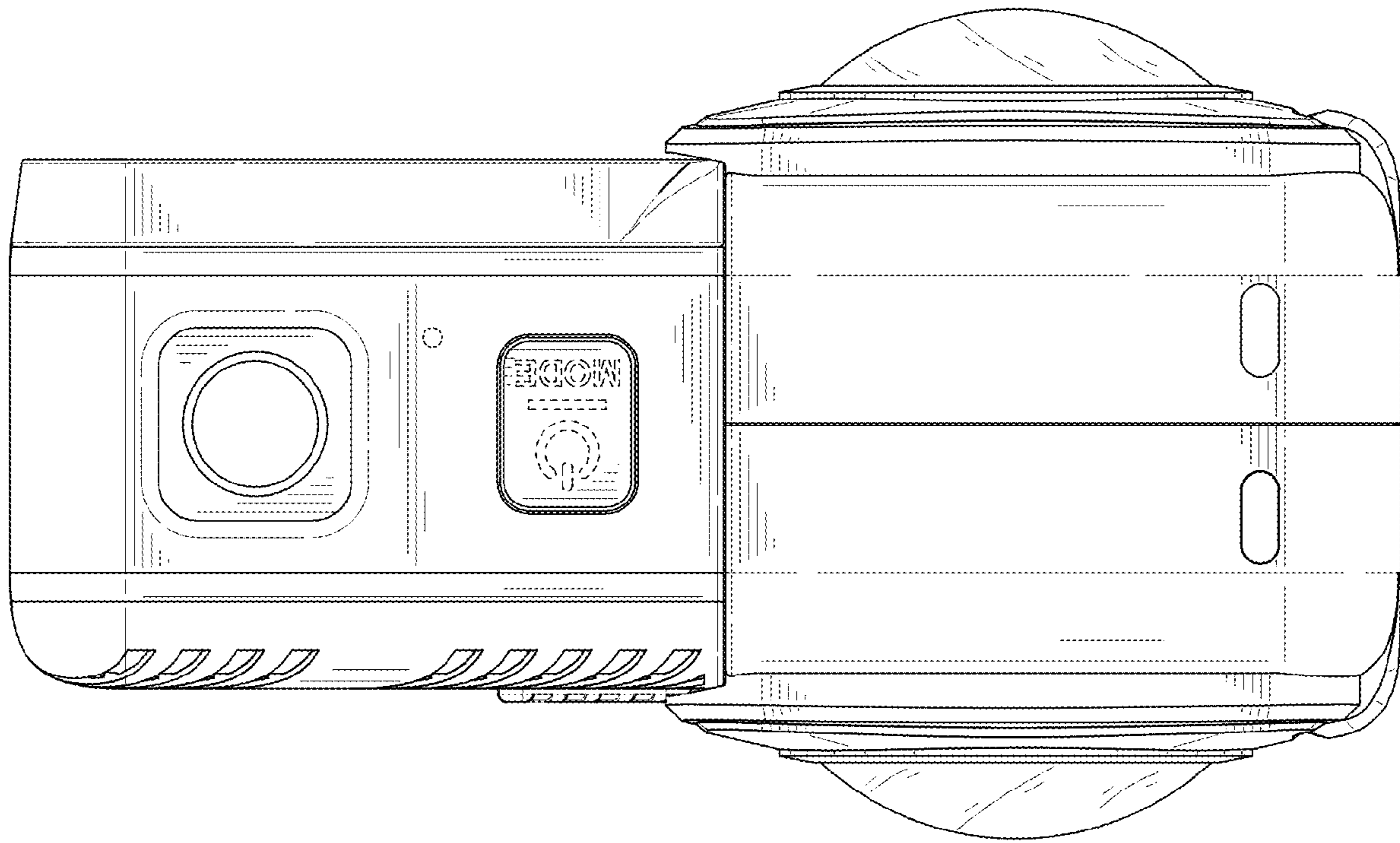


FIG. 7

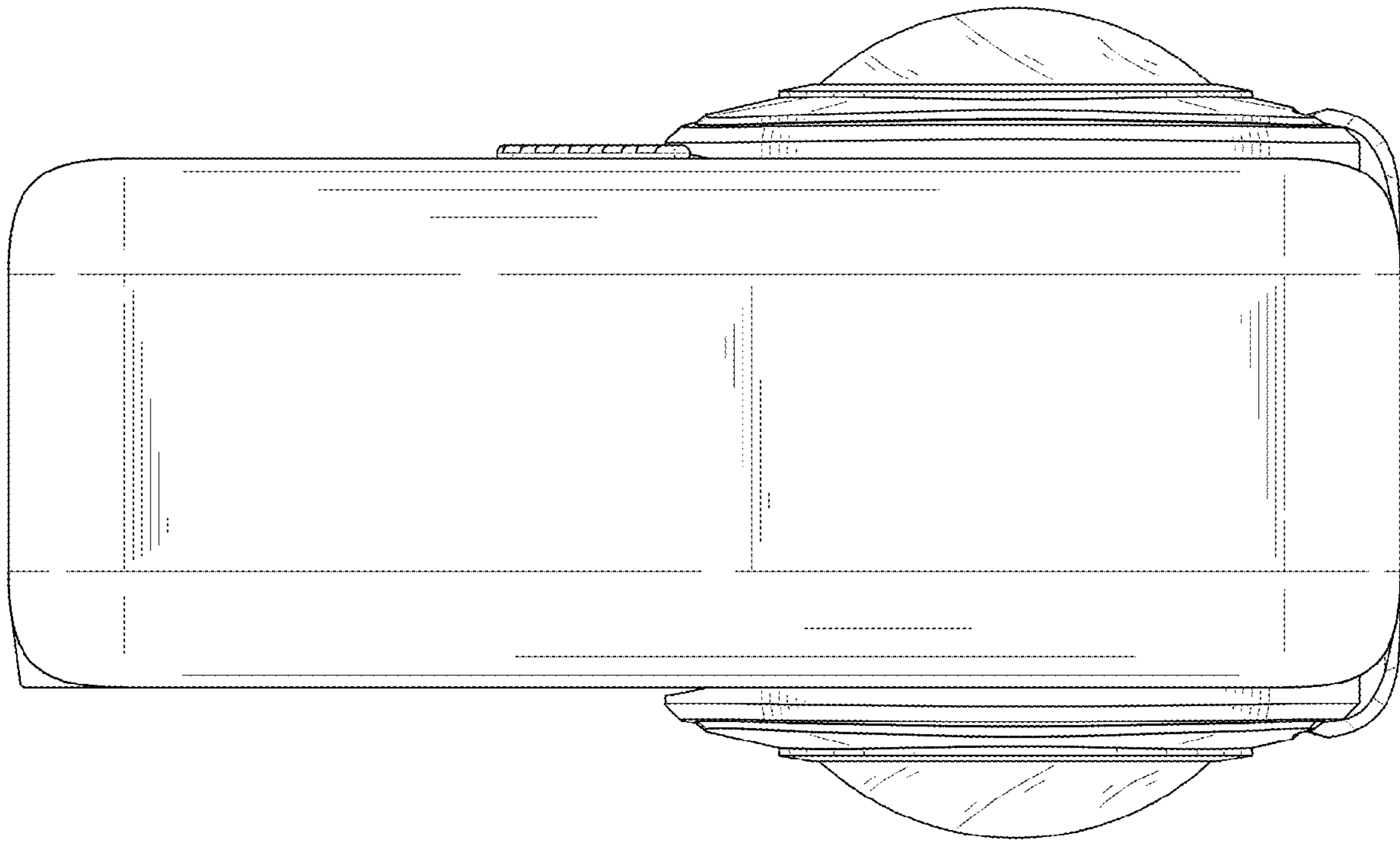


FIG. 8