



US00D898099S

(12) **United States Design Patent**
Cui et al.

(10) **Patent No.:** **US D898,099 S**

(45) **Date of Patent:** **** Oct. 6, 2020**

(54) **EIGHT-LENS CAMERA**

(71) Applicants: **CHINA-GERMANY(ZHUHAI) ARTIFICIAL INTELLIGENCE INSTITUTE CO., LTD**, Zhuhai, Guangdong (CN); **ZHUHAI 4DAGE TECHNOLOGY CO., LTD**, Zhuhai, Guangdong (CN)

(72) Inventors: **Yan Cui**, Guangdong (CN); **Chunguang Xu**, Guangdong (CN)

(73) Assignees: **CHINA-GERMANY(ZHUHAI) ARTIFICIAL INTELLIGENCE INSTITUTE CO., LTD**, Zhuhai (CN); **ZHUHAI 4DAGE TECHNOLOGY CO., LTD**, Zhuhai (CN)

(**) Term: **15 Years**

(21) Appl. No.: **29/704,131**

(22) Filed: **Sep. 2, 2019**

(30) **Foreign Application Priority Data**

Jun. 6, 2019 (CN) 201930292103.3

(51) **LOC (12) Cl.** **16-01**

(52) **U.S. Cl.**
USPC **D16/210**; D16/218

(58) **Field of Classification Search**
USPC D16/200, 202–208, 218, 219; 348/143, 348/148, 151, 373–376; 396/419, 427, 396/535, 539–541
CPC G03B 17/02; G03B 19/04; G03B 17/56; G03B 17/04; G03B 15/03; H04N 5/2251; H04N 5/2252; H04N 5/2253; H04N 5/2254; H04N 7/181; H04N 7/183; H04N 7/18; G08B 13/1963; G08B 13/19619; G08B 13/19632

See application file for complete search history.

(56) **References Cited**

U.S. PATENT DOCUMENTS

D732,594 S *	6/2015	Kawa	D16/202
D770,553 S *	11/2016	Schild	D16/202
D794,695 S *	8/2017	Zhang	D16/218
D795,940 S *	8/2017	Huang	D16/203
D797,836 S *	9/2017	Li	D16/218
D849,078 S *	5/2019	Girotti	D16/202
D867,427 S *	11/2019	Bai	D16/210
D877,232 S *	3/2020	Chou	D16/219
D879,175 S *	3/2020	Matsumoto	D16/202
D888,130 S *	6/2020	Kintner	D16/218

* cited by examiner

Primary Examiner — Ramzi S Almatrahi

(74) *Attorney, Agent, or Firm* — Wayne & Ken, LLC; Tony Hom

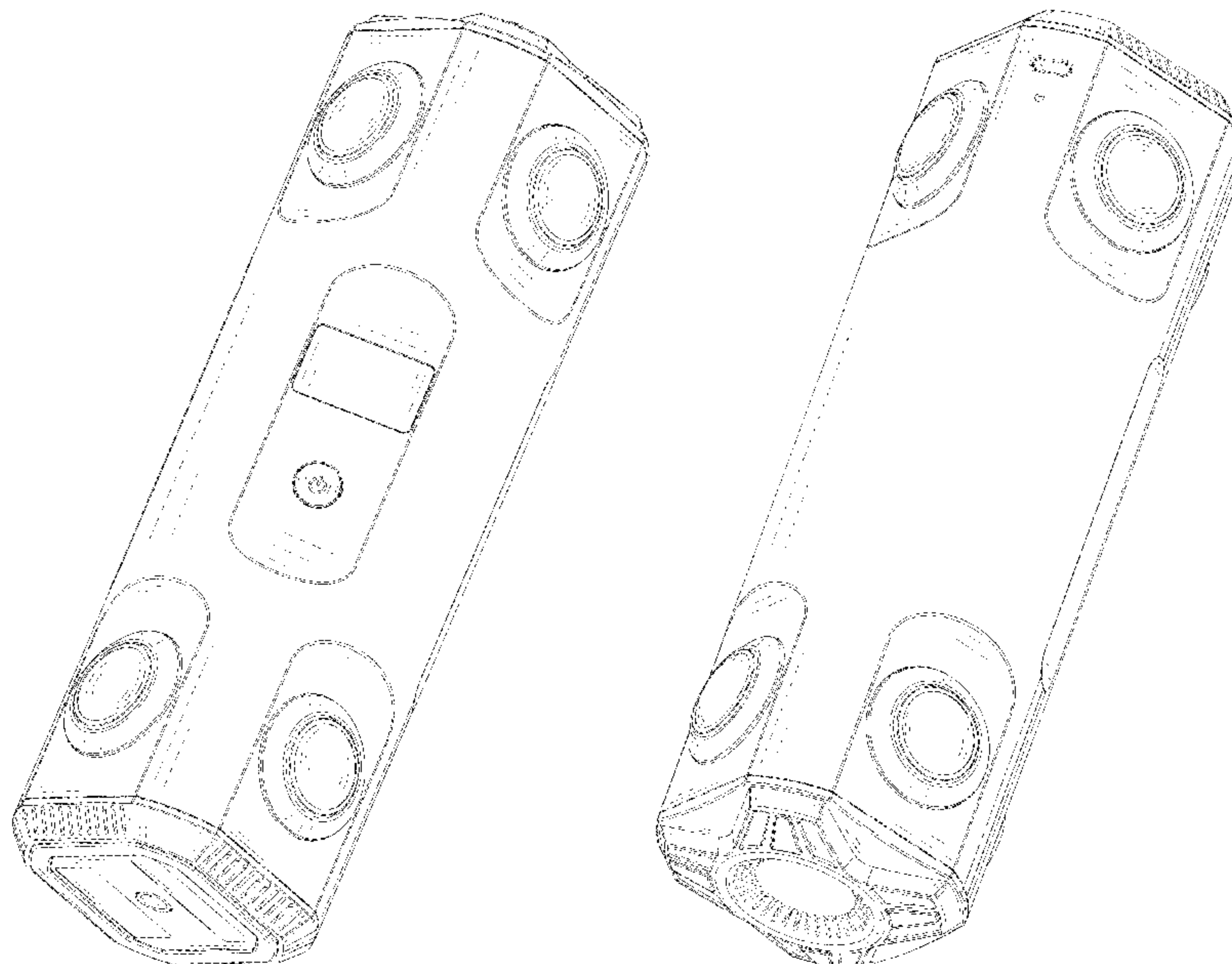
(57) **CLAIM**

The ornamental design for an eight-lens camera, as shown and described.

DESCRIPTION

FIG. 1 is a bottom and front perspective view of an eight-lens camera showing our new design; FIG. 2 is a top and back perspective view thereof; FIG. 3 is a front elevation view thereof; FIG. 4 is a back elevation view thereof; FIG. 5 is a left side elevation view thereof; FIG. 6 is a right side elevation view thereof; FIG. 7 is an enlarged scale top plan view thereof; and, FIG. 8 is an enlarged scale bottom plan view thereof. The broken lines depict portions of the eight-lens camera in which the design is embodied that form no part of the claimed design.

1 Claim, 8 Drawing Sheets



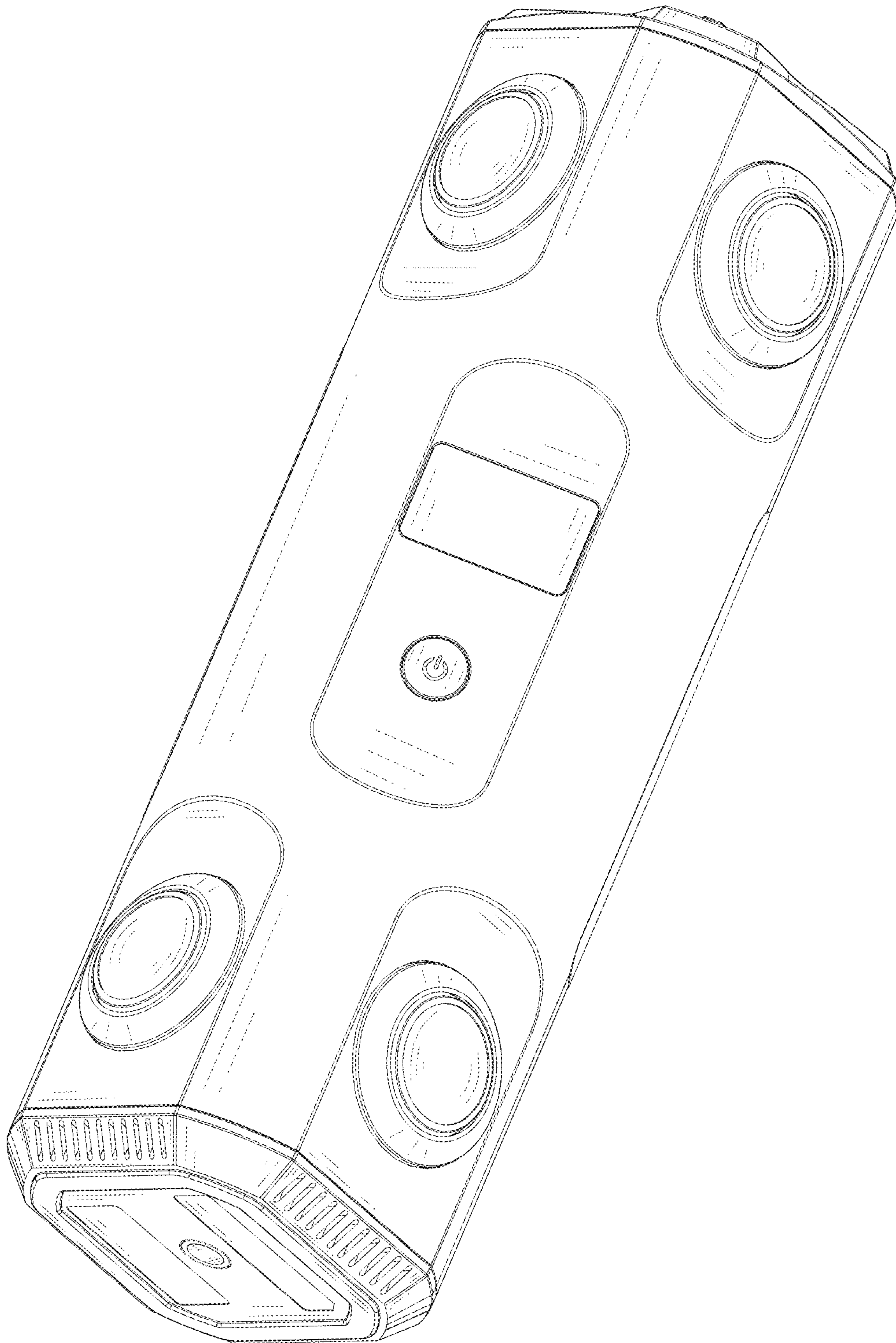


FIG. 1

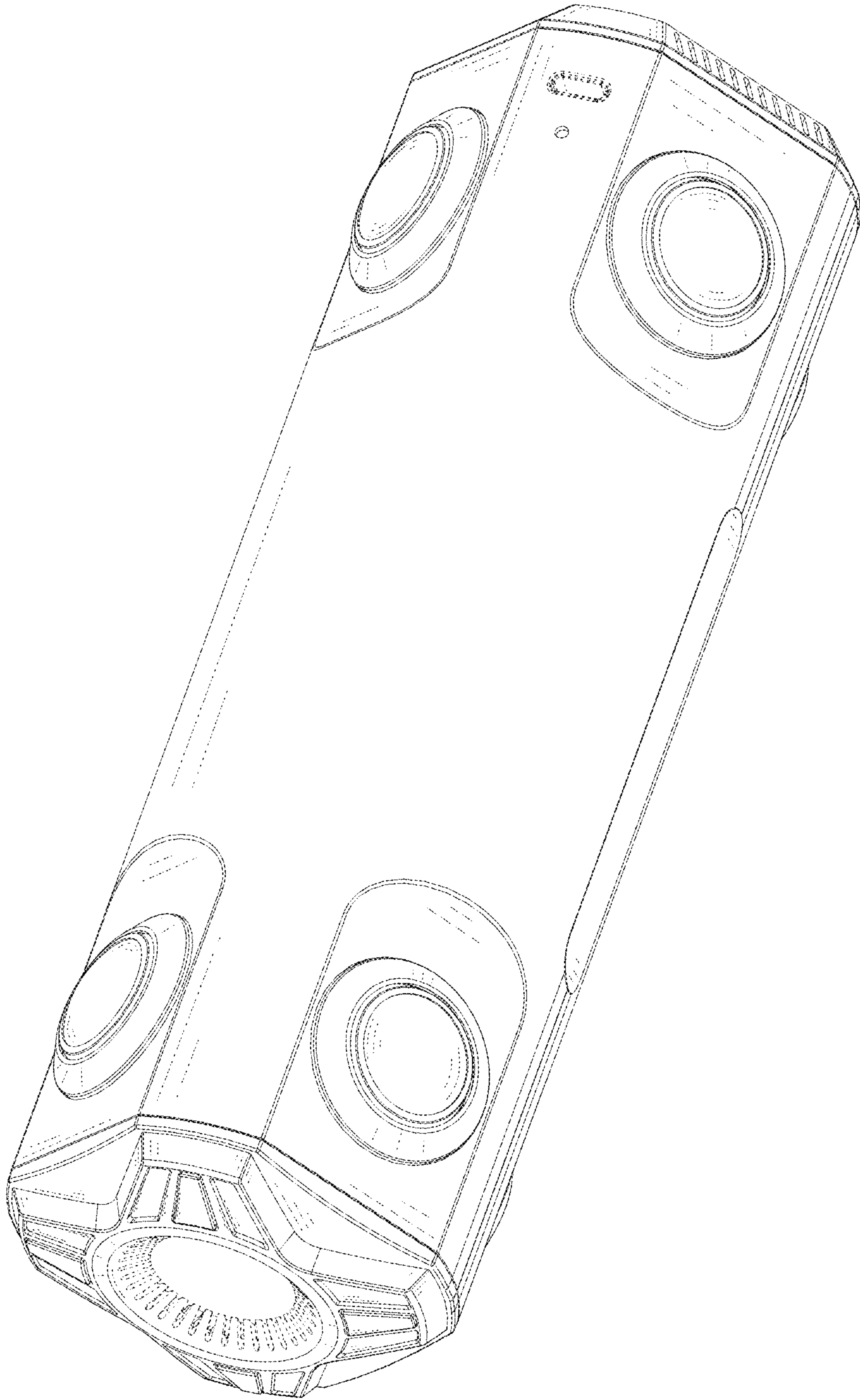


FIG. 2

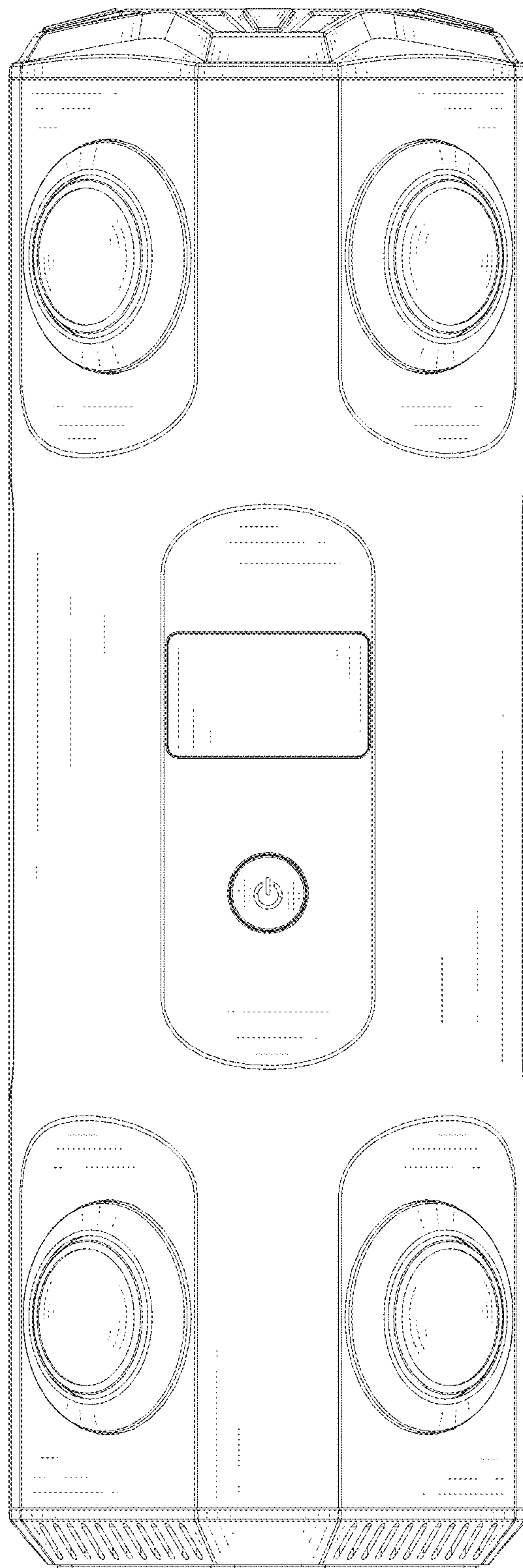


FIG. 3

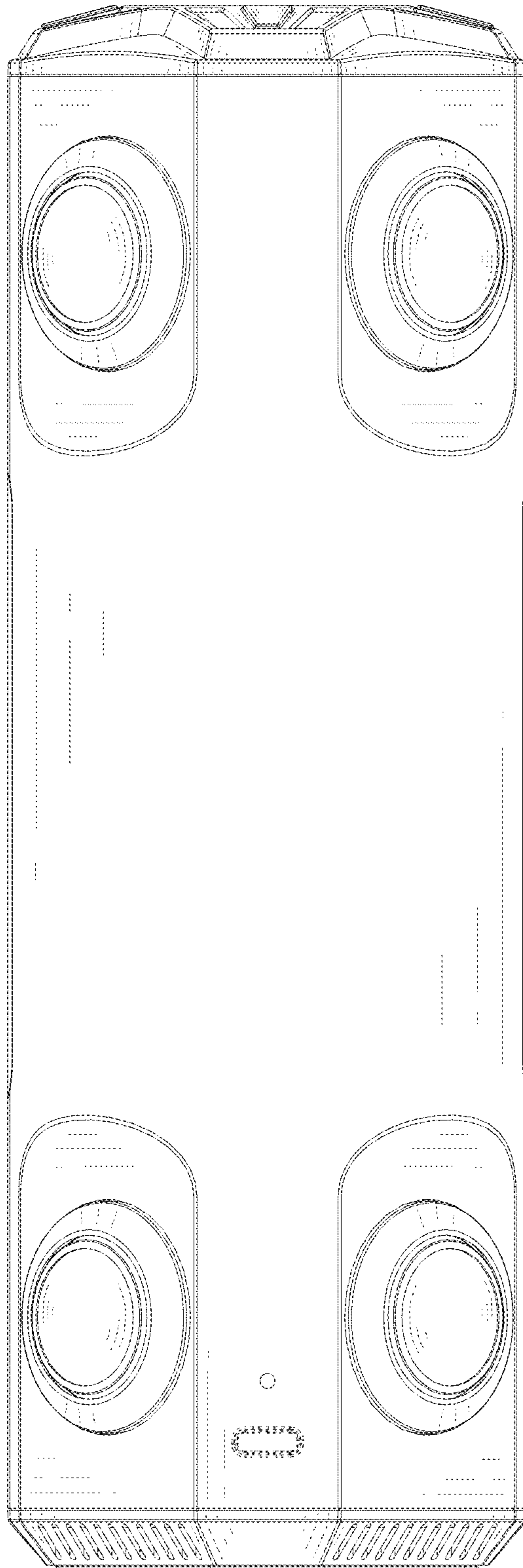


FIG. 4

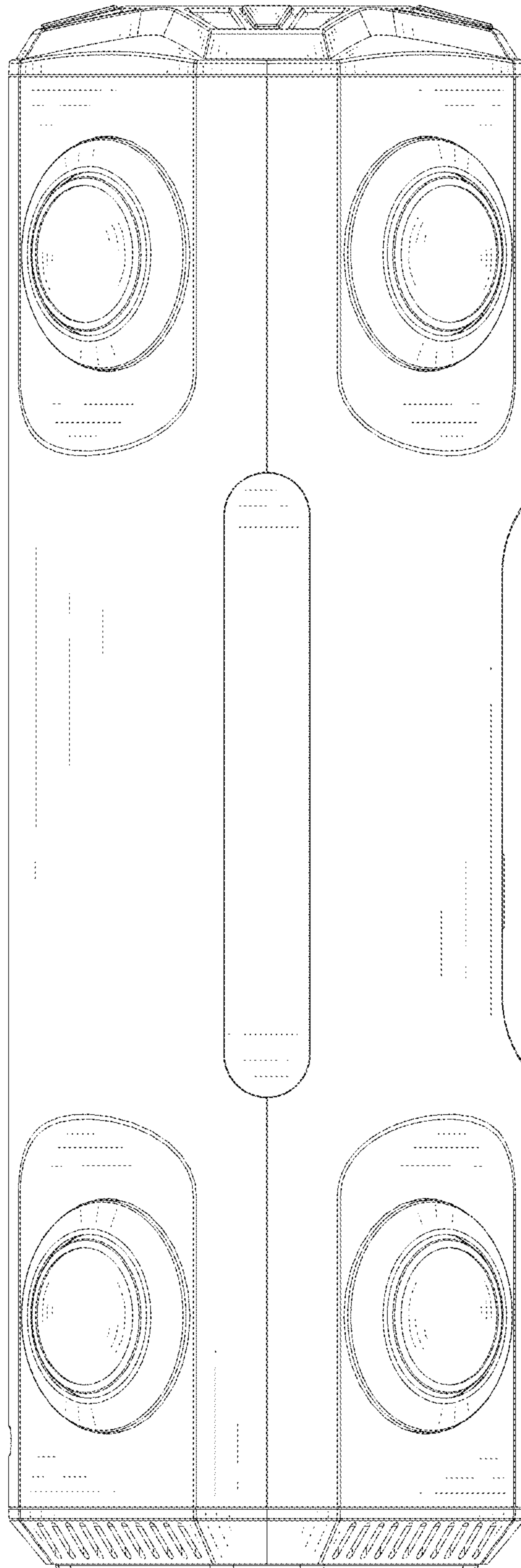


FIG. 5

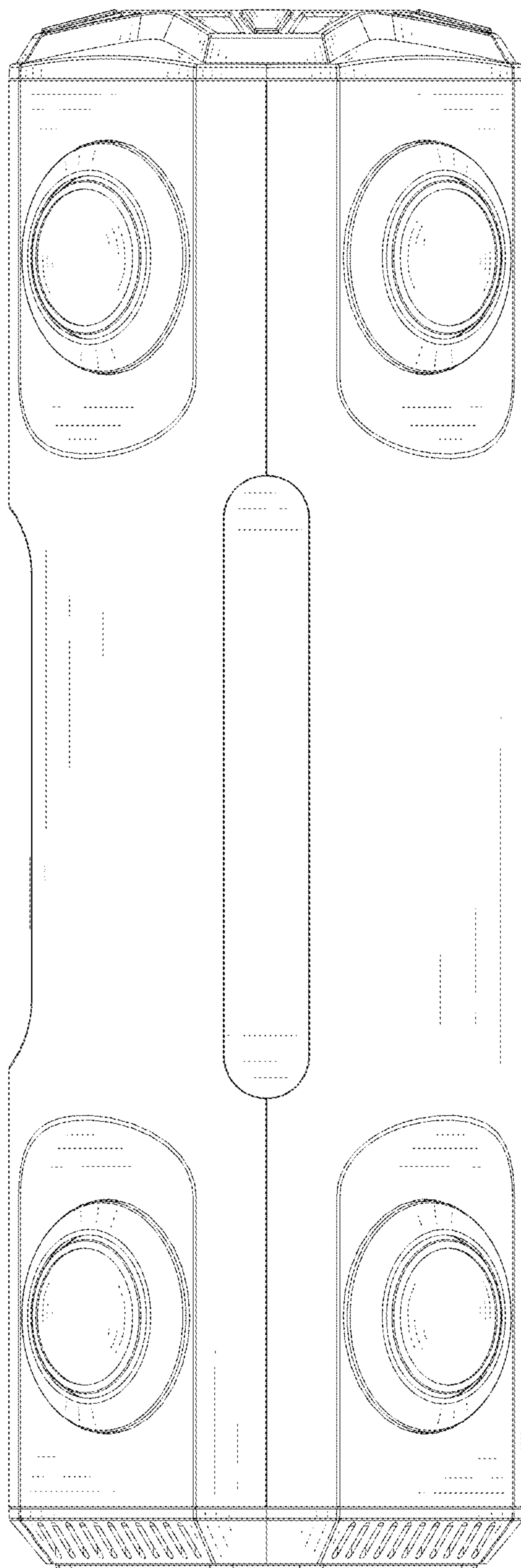


FIG. 6

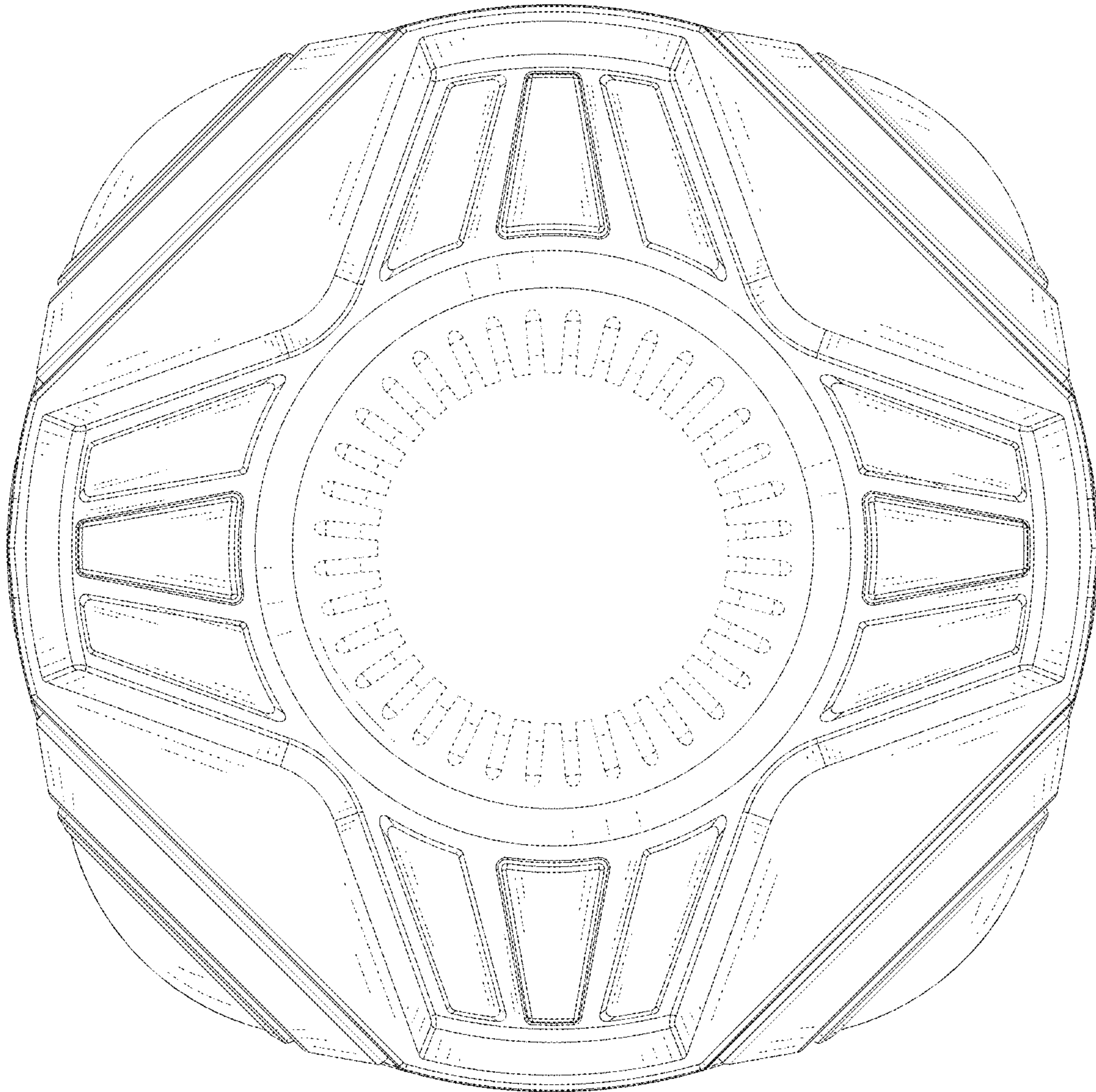


FIG. 7

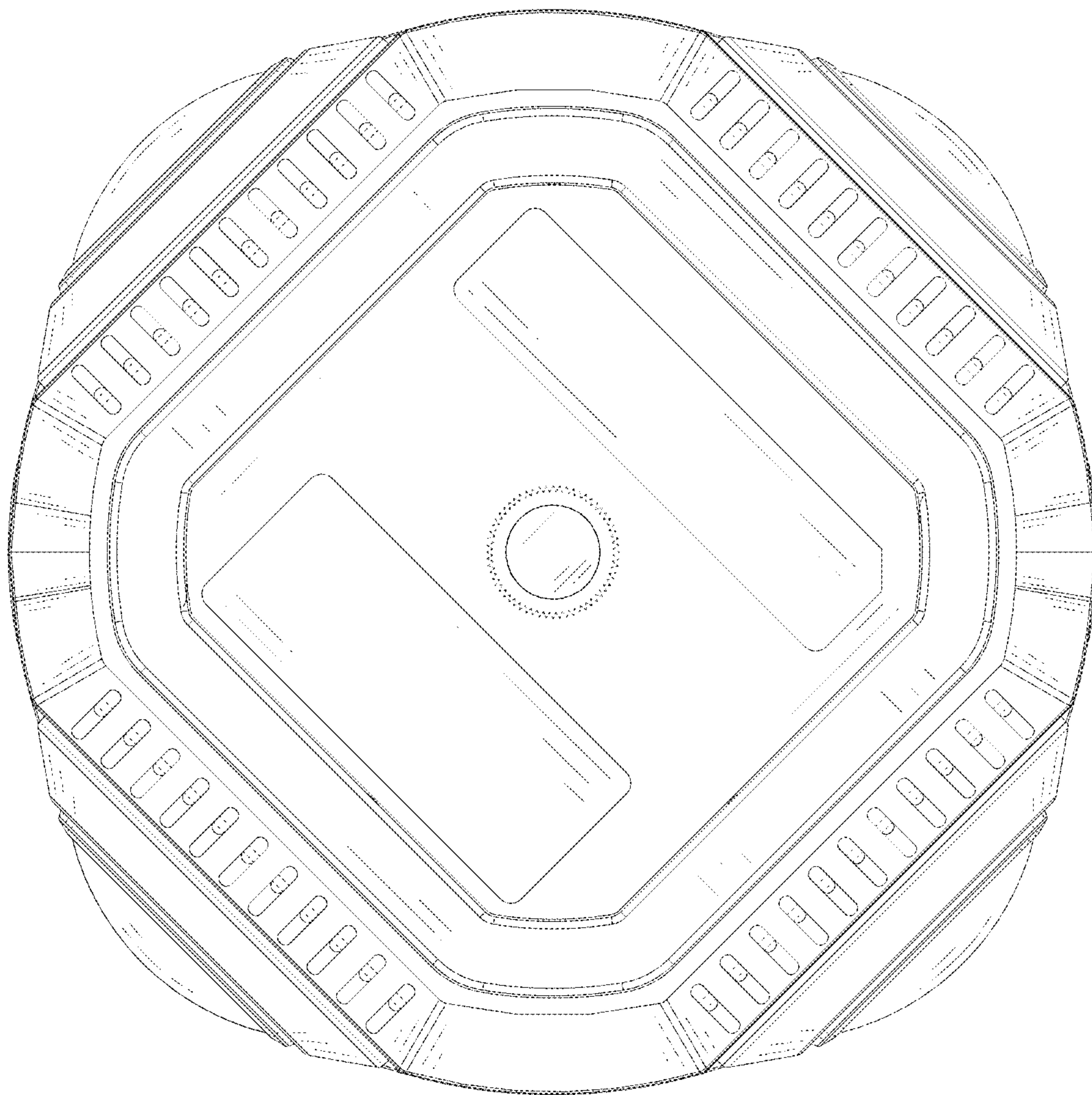


FIG. 8