



US00D898098S

(12) **United States Design Patent**
White

(10) **Patent No.:** **US D898,098 S**

(45) **Date of Patent:** **** Oct. 6, 2020**

(54) **MONITOR**

(71) Applicant: **Miku, Inc.**, Woodbridge, NJ (US)

(72) Inventor: **Eric Gregory White**, Tinton Falls, NJ (US)

(73) Assignee: **Miku, Inc.**, Woodbridge, NJ (US)

(**) Term: **15 Years**

(21) Appl. No.: **29/706,232**

(22) Filed: **Sep. 18, 2019**

Related U.S. Application Data

(62) Division of application No. 29/632,149, filed on Jan. 5, 2018, now Pat. No. Des. 865,840.

(51) **LOC (12) Cl.** **16-01**

(52) **U.S. Cl.**
USPC **D16/203**

(58) **Field of Classification Search**
USPC D16/200, 202–206, 218, 219, 242;
348/143, 148, 151, 373–376; 396/419,
396/427, 535, 539–541
CPC G03B 17/02; G03B 19/04; G03B 17/56;
G03B 17/04; G03B 15/03; H04N 5/2251;
H04N 5/2252; H04N 5/2253; H04N
5/2254; H04N 7/181; H04N 7/183; H04N
7/18; G08B 13/1963; G08B 13/19619;
G08B 13/19632; F16M 11/04; F16M
13/00

See application file for complete search history.

(56) **References Cited**

U.S. PATENT DOCUMENTS

6,705,774 B2 3/2004 Tashiro et al.
D534,938 S 1/2007 Beasley et al.
D627,815 S 11/2010 Oba

D643,056 S 8/2011 Zaliauskas et al.
D649,573 S 11/2011 Al
D697,119 S 1/2014 Park et al.
D721,754 S 1/2015 Chen
D733,781 S 7/2015 Chen
D743,467 S 11/2015 Bhattacharya
D746,350 S 12/2015 Li
D754,233 S * 4/2016 Du D16/211
D792,301 S * 7/2017 Zhu D12/202
D795,938 S 8/2017 Ravat et al.
D804,561 S 12/2017 Luo et al.
D809,045 S * 1/2018 Jou D16/202
D813,289 S * 3/2018 Laffon de Mazieres ... D16/202
D816,142 S * 4/2018 Song D16/203
D817,379 S * 5/2018 Laurans D16/219
D818,028 S * 5/2018 Ramones D16/214
D818,515 S * 5/2018 Laurans D16/203
D819,715 S * 6/2018 Laurans D16/203

(Continued)

Primary Examiner — Ramzi S Almatrahi

(74) *Attorney, Agent, or Firm* — LaMorte & Associates P.C.

(57) **CLAIM**

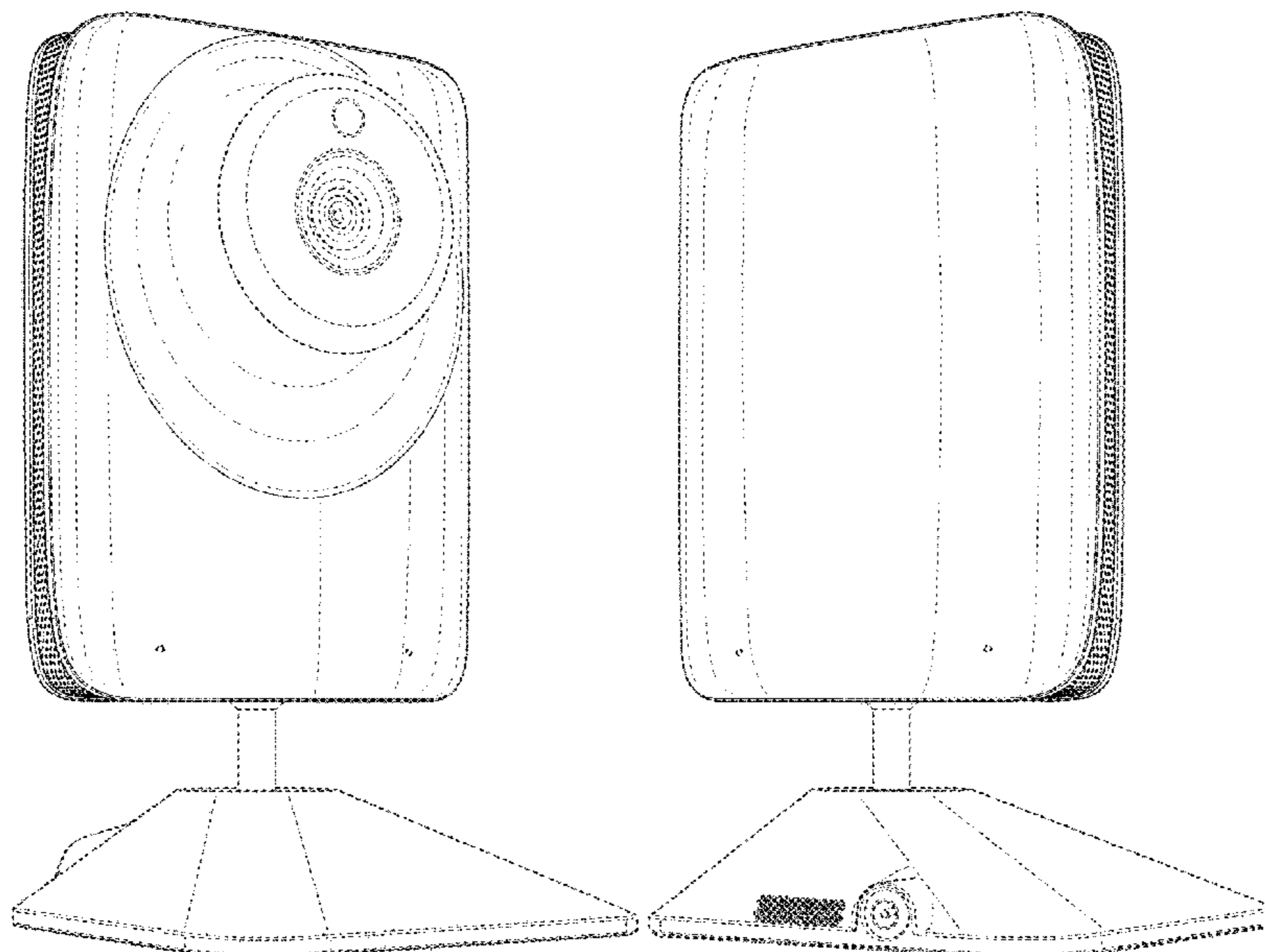
The ornamental design for a monitor, as shown and described.

DESCRIPTION

FIG. 1 is a front perspective view of a monitor;
FIG. 2 is a front view of the monitor shown in FIG. 1;
FIG. 3 is a back view of the monitor shown in FIG. 1;
FIG. 4 is a side view of the monitor shown in FIG. 1;
FIG. 5 is another side view of the monitor shown in FIG. 1;
FIG. 6 is a top view of the monitor shown in FIG. 1;
FIG. 7 is a bottom view of the monitor shown in FIG. 1; and,
FIG. 8 is a back perspective view of the monitor shown in FIG. 1.

The broken lines depict portions of the monitor in which the design is embodied that form no part of the claimed design.

1 Claim, 8 Drawing Sheets



(56)

References Cited

U.S. PATENT DOCUMENTS

D828,425 S *	9/2018	Piekarski	D16/202
D849,077 S	5/2019	Tian	
D849,088 S *	5/2019	Lai	D16/202
D872,790 S *	1/2020	Hasegawa	D16/202
D874,536 S *	2/2020	Park	D16/203

* cited by examiner

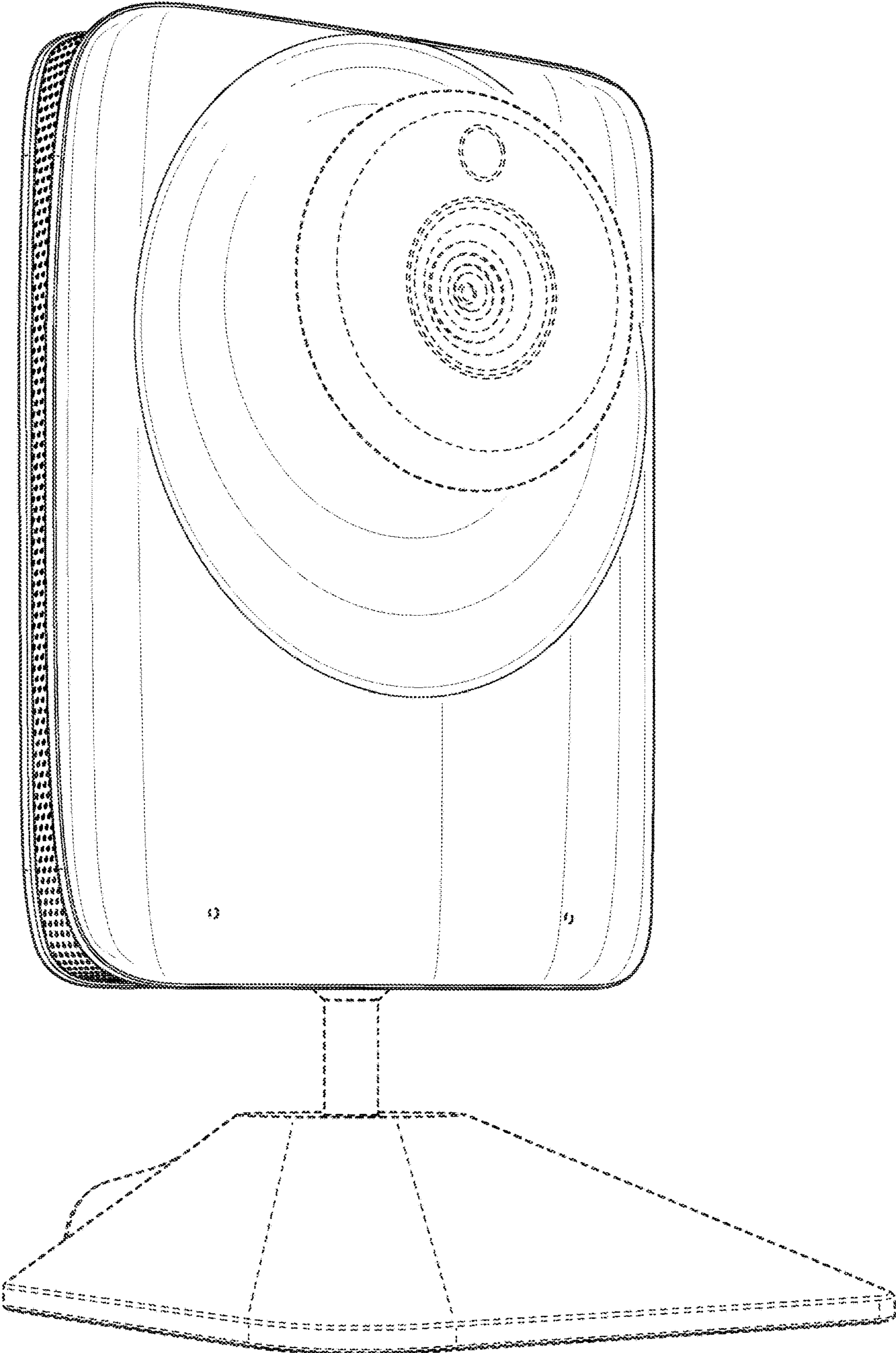


FIG. 1

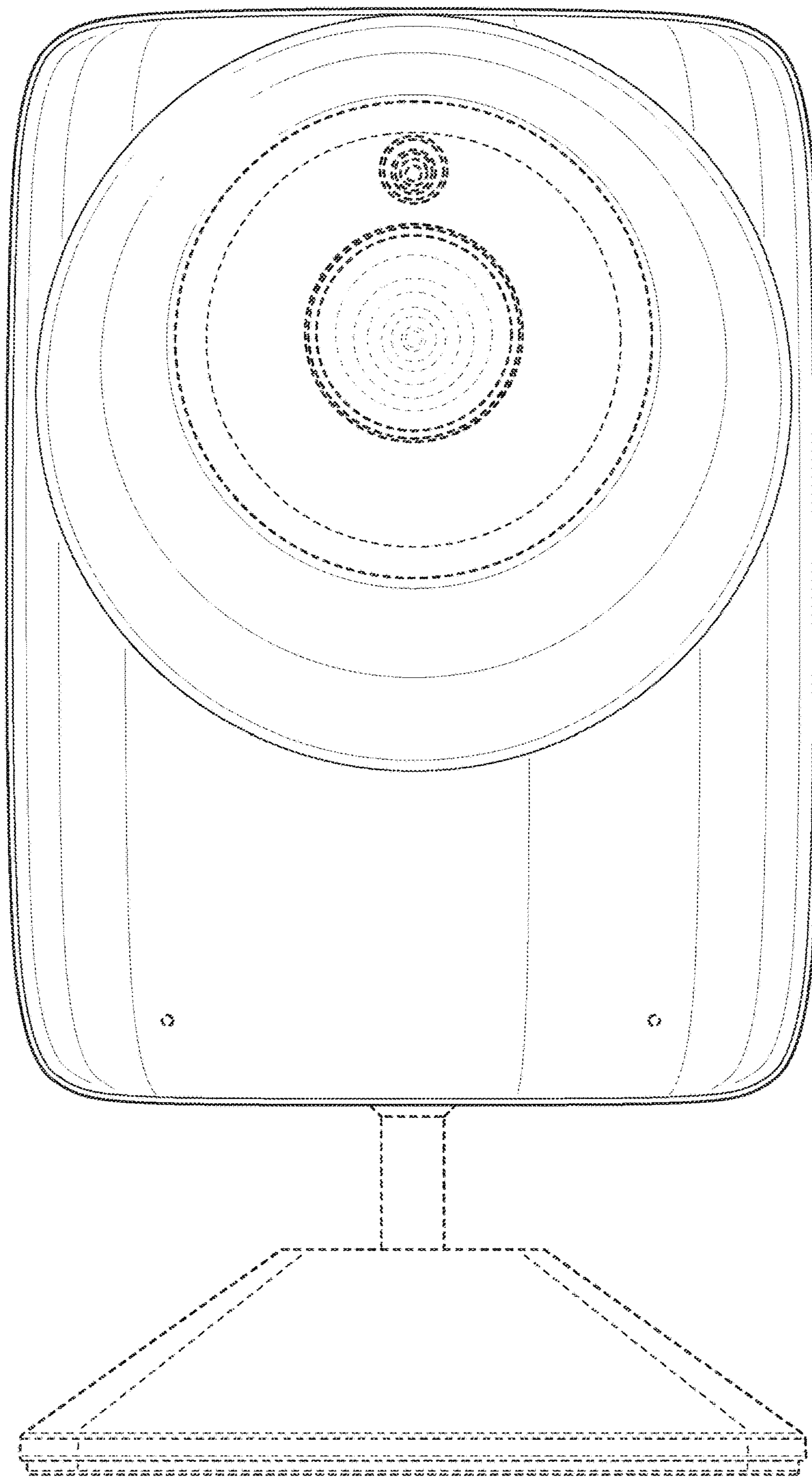


FIG. 2

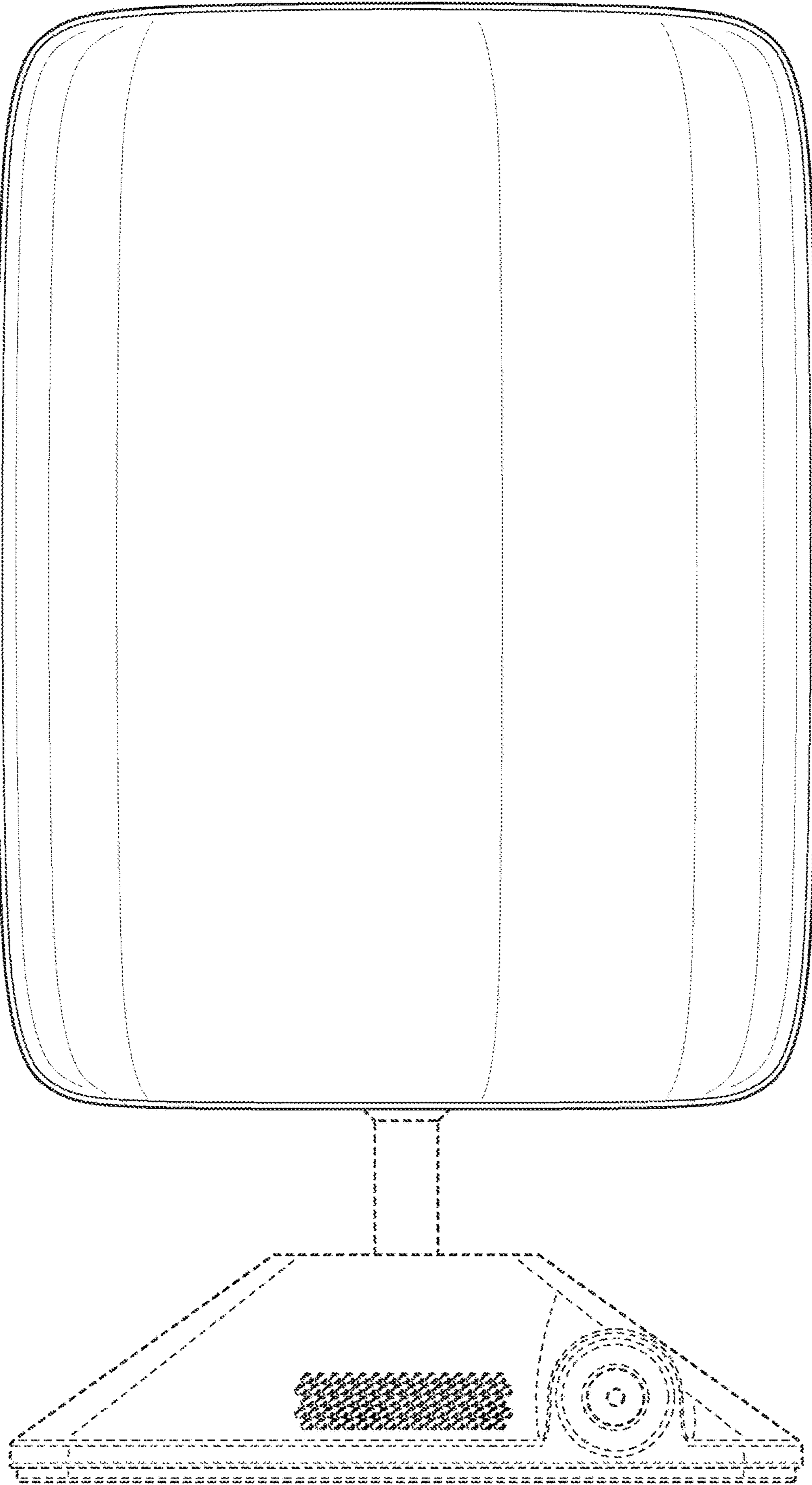


FIG. 3

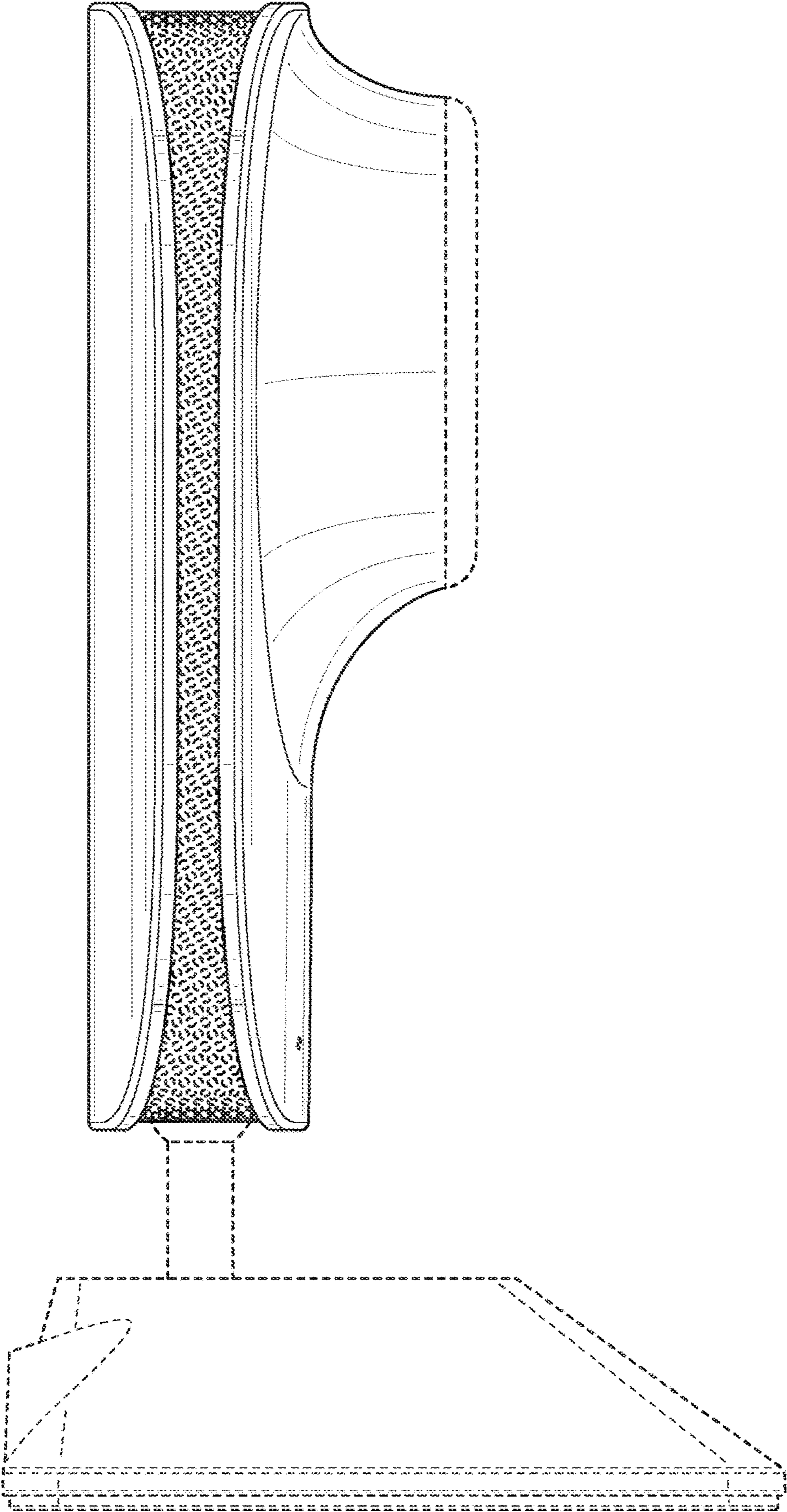


FIG. 4

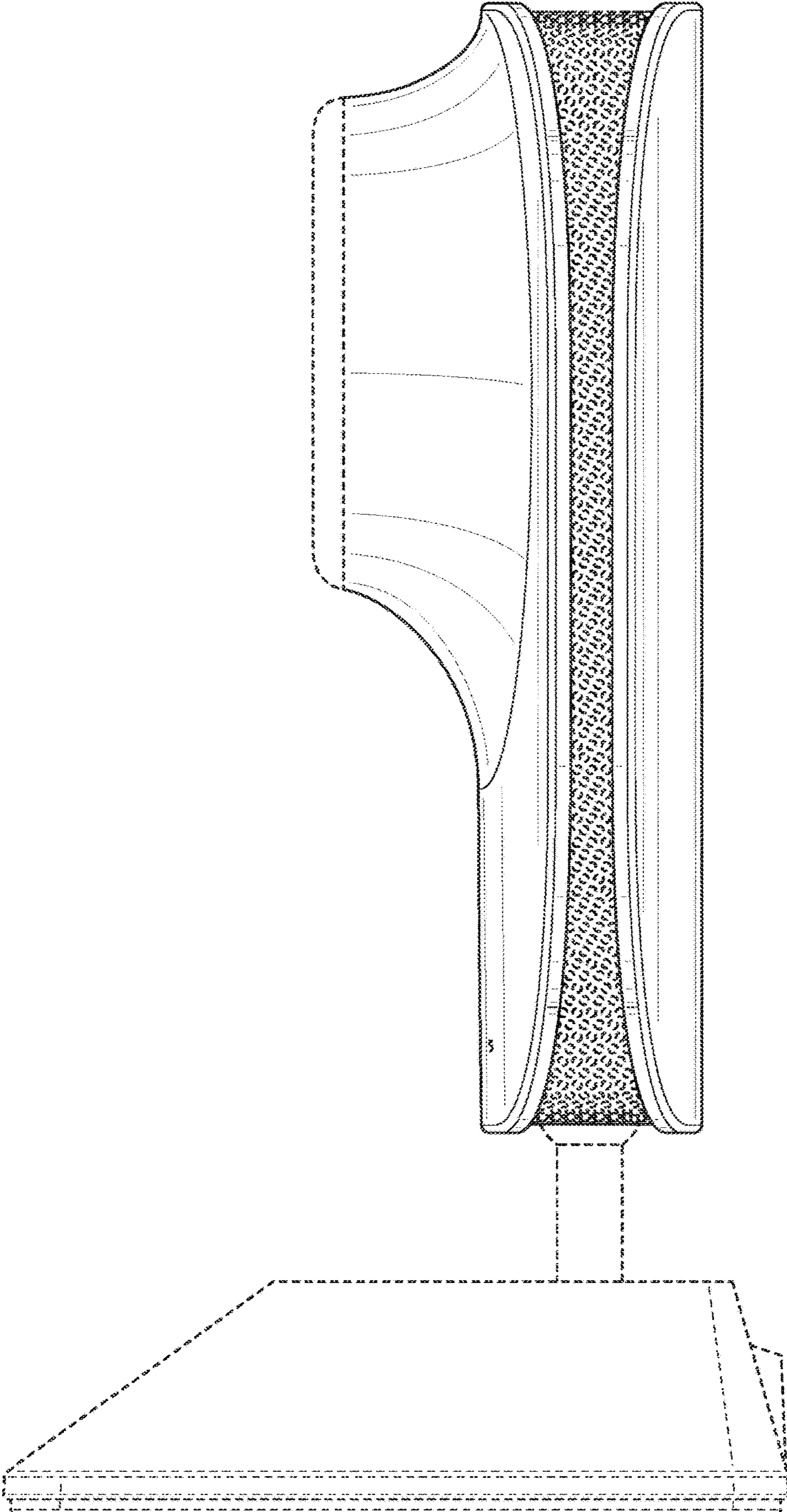


FIG. 5

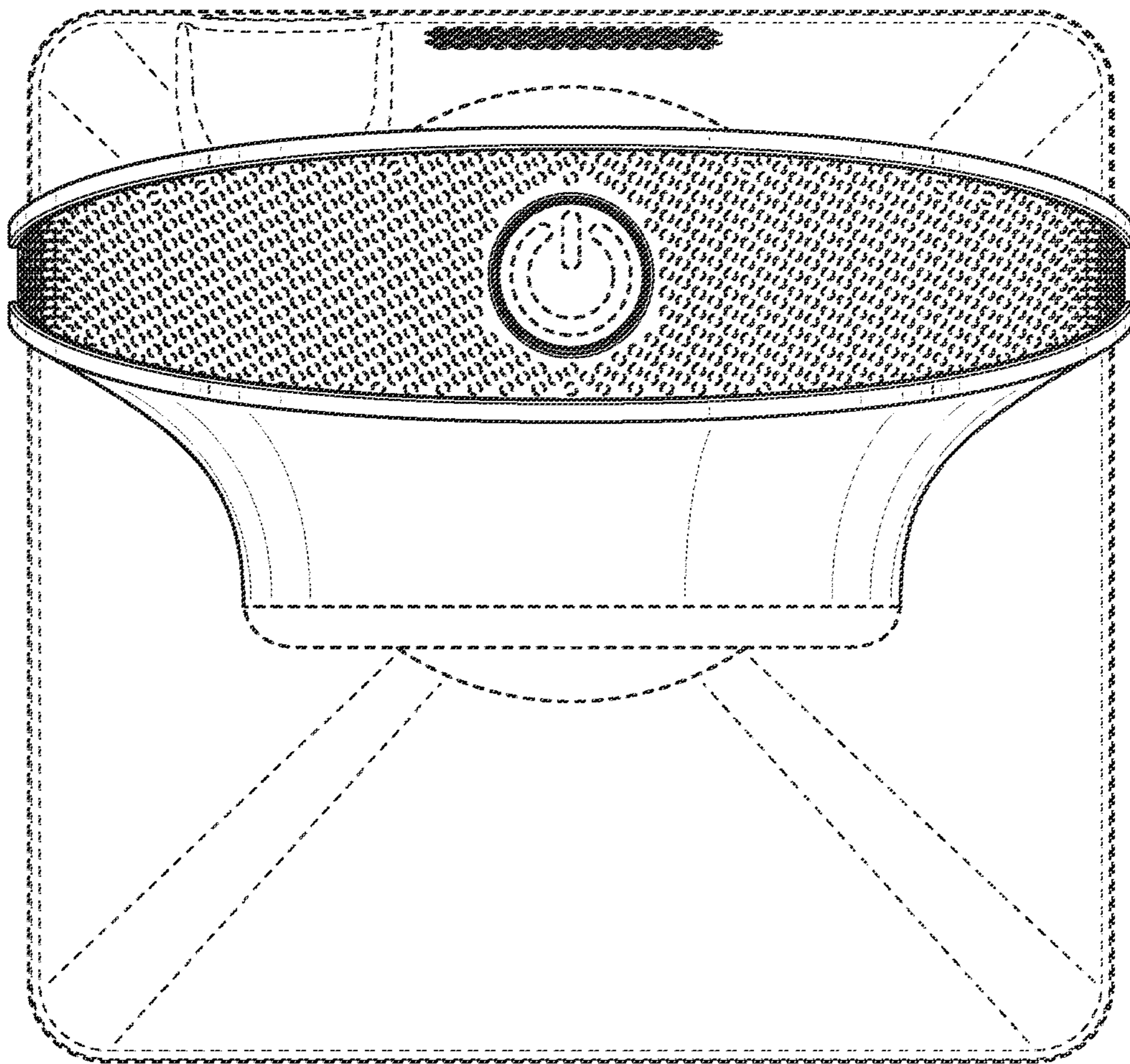


FIG. 6

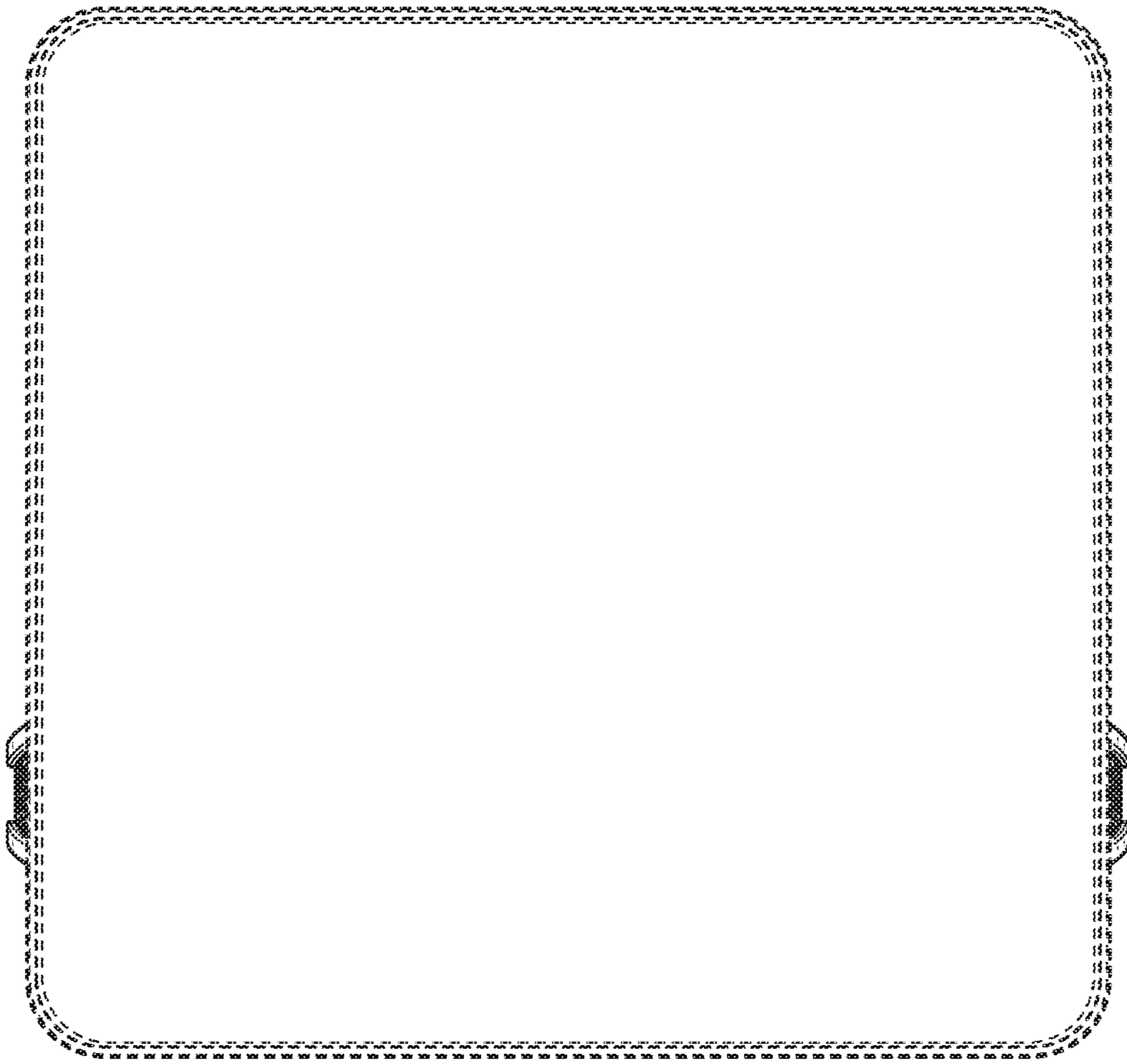


FIG. 7

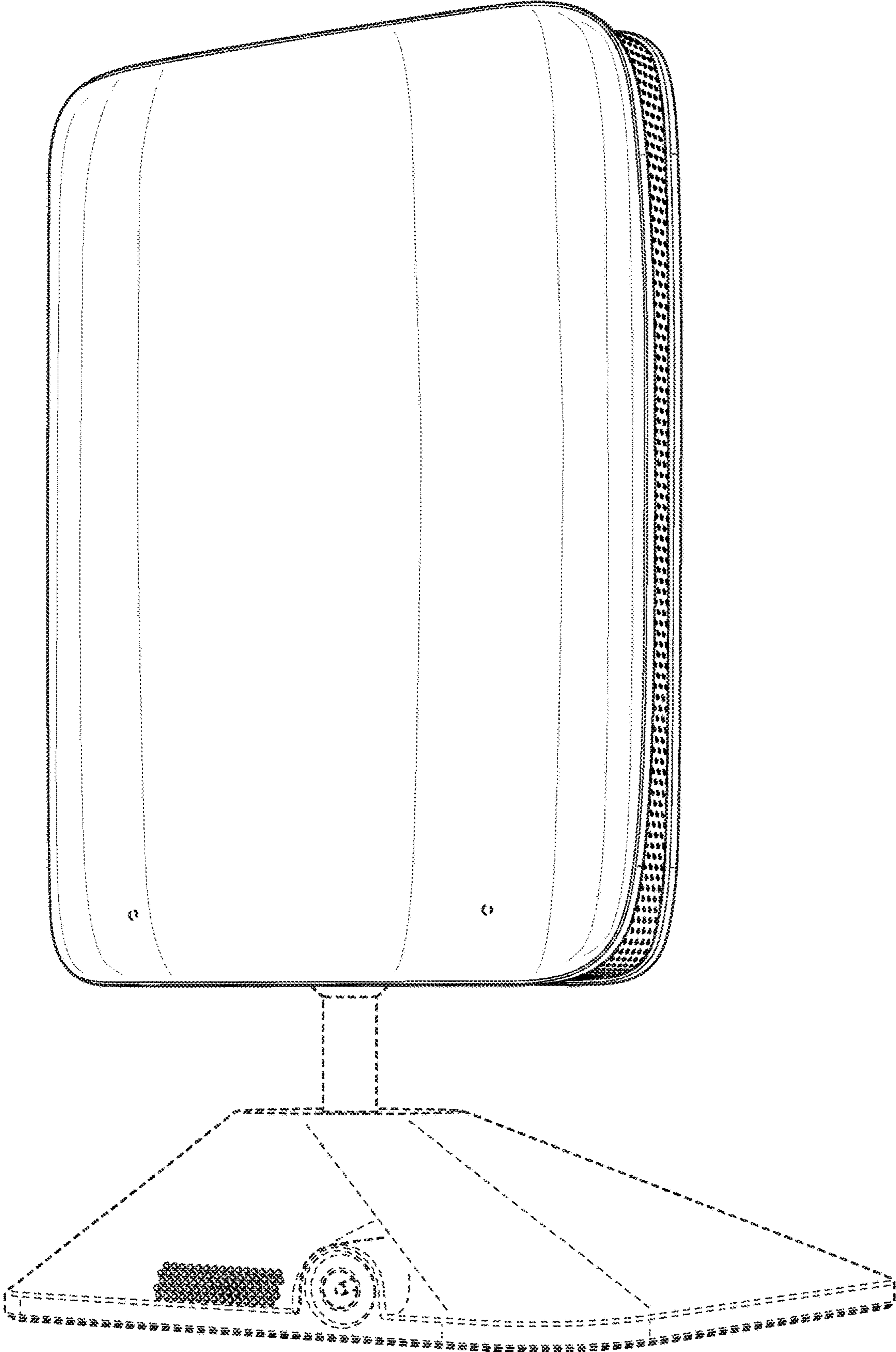


FIG. 8