



US00D898096S

(12) **United States Design Patent** (10) **Patent No.:** **US D898,096 S**
Moon et al. (45) **Date of Patent:** **** Oct. 6, 2020**

(54) **SECURITY CAMERA**

(71) Applicant: **Hanwha Techwin Co., Ltd.**,
Seongnam-si (KR)

(72) Inventors: **Mi Jung Moon**, Changwon-si (KR);
Mun Jun Park, Changwon-si (KR)

(73) Assignee: **HANWHA TECHWIN CO., LTD.**,
Seongnam-si (KR)

(**) Term: **15 Years**

(21) Appl. No.: **29/675,177**

(22) Filed: **Dec. 28, 2018**

(30) **Foreign Application Priority Data**

Jun. 29, 2018 (KR) 30-2018-0030245

(51) **LOC (12) Cl.** **16-01**

(52) **U.S. Cl.**
USPC **D16/203**

(58) **Field of Classification Search**
USPC D16/200-220, 131, 132, 237, 242, 239,
D16/250, 235, 130, 134, 136, 238;
D14/417, 138 C, 240, 248, 203.1, 203.3,
D14/203.7, 218, 207, 440, 402, 454, 407,
D14/408, 480.3, 480.1, 483; D12/187;
D10/31, 104.1, 50, 65, 74, 70, 118.2, 66;
D26/118, 113
CPC . G02B 7/02; G02B 7/021; G02B 7/04; G02B
7/14; G02B 7/003; G02B 7/008; G02B
13/06; G03B 17/00; G03B 17/02; G03B
17/56; G03B 17/04; G03B 17/14; G03B
17/08; G03B 15/03; G03B 15/06; H04N
1/00981; H04N 5/2251; H04N 5/2252;
H04N 5/2253; H04N 5/2254; H04N
5/23238; H04N 7/00; H04N 13/239;
H04N 2101/00; F16M 13/00

See application file for complete search history.

(56) **References Cited**

U.S. PATENT DOCUMENTS

D723,395	S	*	3/2015	Dispenza	D10/53
D730,422	S	*	5/2015	Kim	D16/218
D786,329	S	*	5/2017	Kamei	D16/202
D798,934	S	*	10/2017	Wu	D16/203
D809,047	S	*	1/2018	Borg	D16/203
D809,048	S	*	1/2018	Andersson	D16/203
D816,143	S	*	4/2018	Ahman	D16/203
D823,922	S	*	7/2018	Hikima	D16/219
D825,640	S	*	8/2018	Andersson	D16/203
10,156,290	B2	*	12/2018	Chapple	F16H 57/035
D849,080	S	*	5/2019	Rosenberg	D16/202
D849,094	S	*	5/2019	Gan	D16/203

(Continued)

FOREIGN PATENT DOCUMENTS

CN	303950032	*	11/2016
CN	304499675	*	2/2018

Primary Examiner — T Chase Nelson

Assistant Examiner — Mary Claire Ramirez

(74) *Attorney, Agent, or Firm* — Sughrue Mion, PLLC

(57) **CLAIM**

The ornamental design for a security camera, as shown and described.

DESCRIPTION

FIG. 1 is a perspective view of a security camera showing the new design;

FIG. 2 is a front view thereof;

FIG. 3 is a rear view thereof;

FIG. 4 is a left side view thereof;

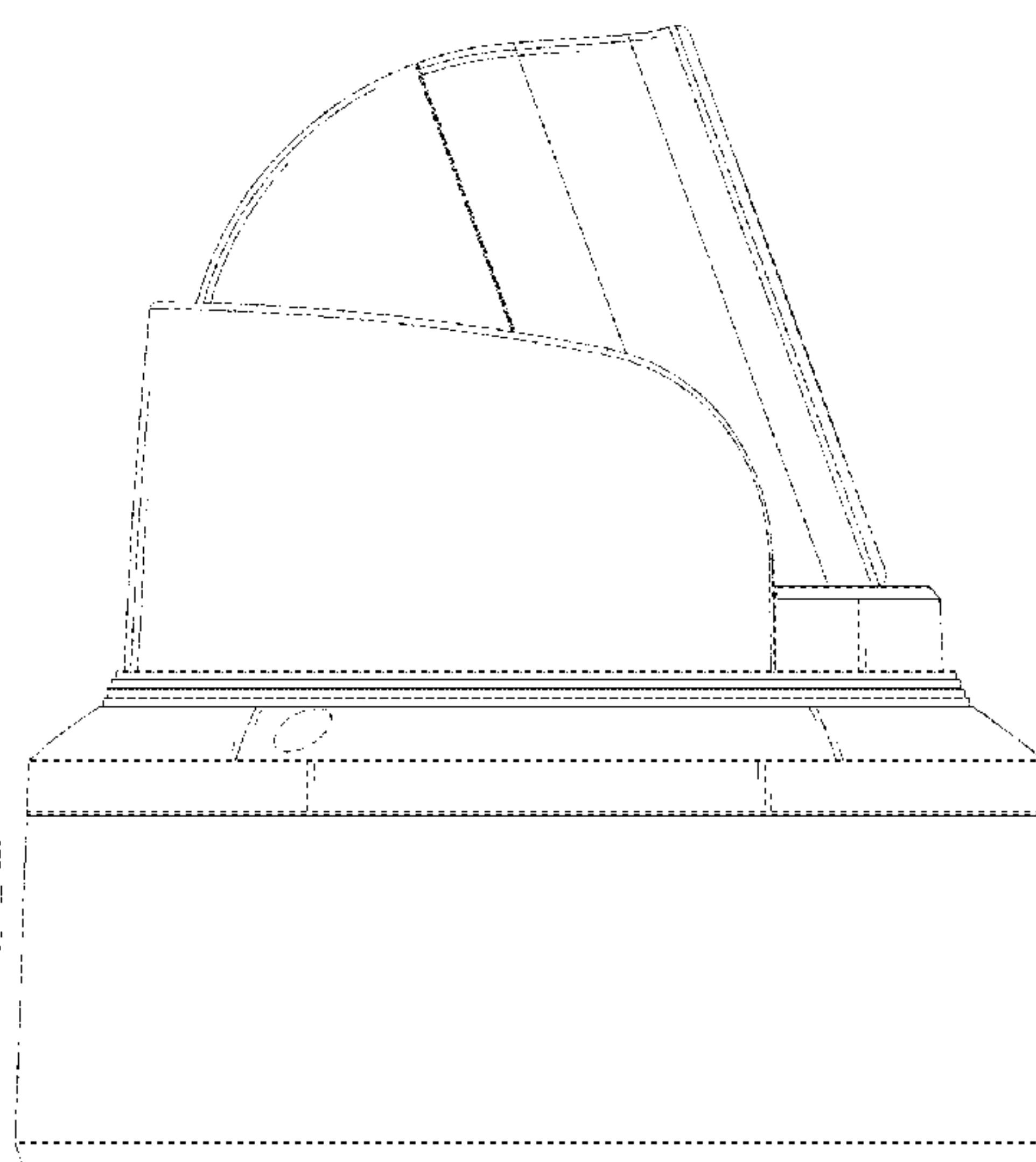
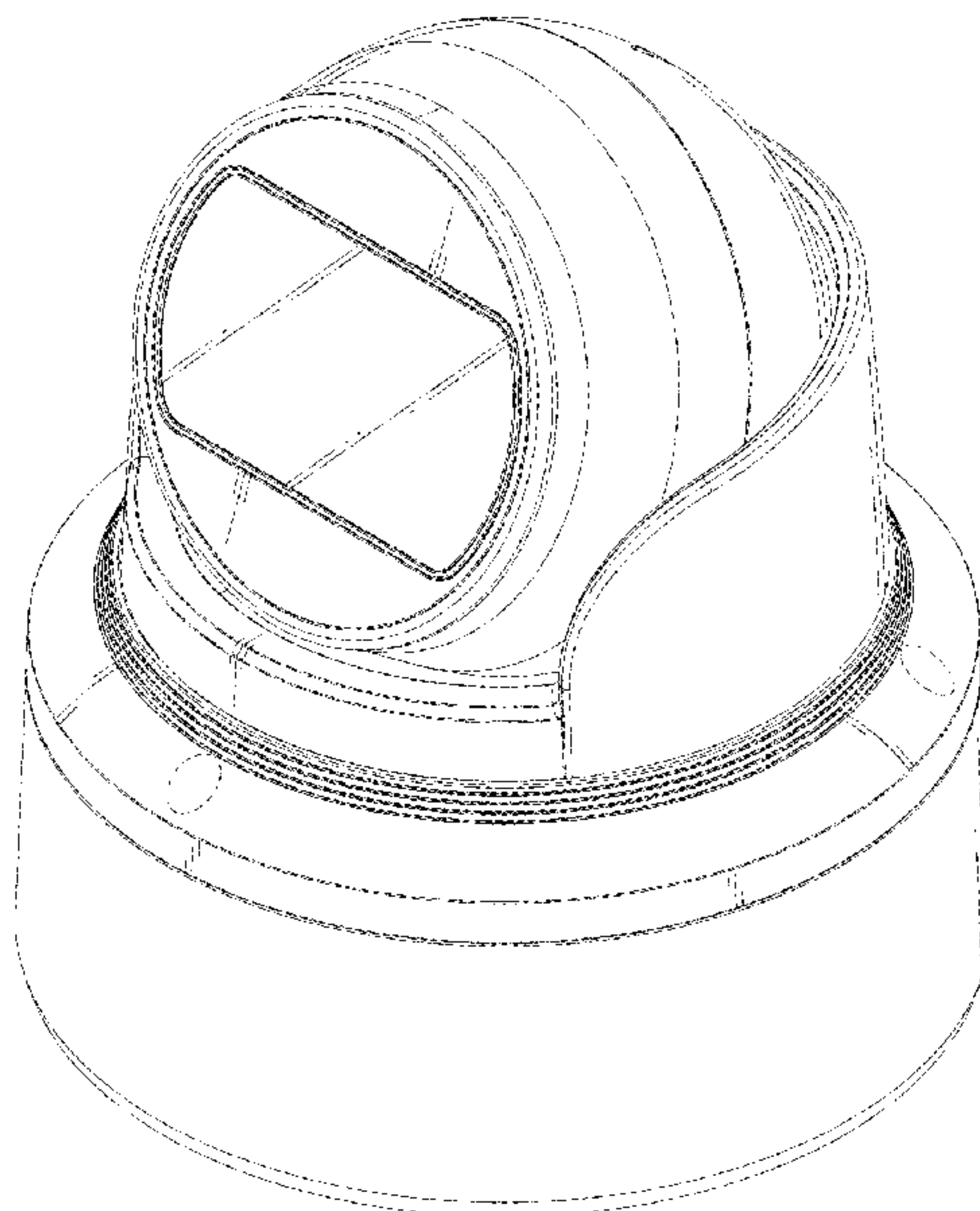
FIG. 5 is a right side view thereof;

FIG. 6 is a top plan view thereof; and,

FIG. 7 is a bottom view thereof.

The broken lines shown in the drawings depict portions of the security camera that form no part of the claimed design.

1 Claim, 7 Drawing Sheets



(56)

References Cited

U.S. PATENT DOCUMENTS

D868,770 S * 12/2019 Hohman D14/253
D877,791 S * 3/2020 Klein D16/203
D882,663 S * 4/2020 Walter D16/203
2008/0056709 A1* 3/2008 Huang G03B 17/561
396/427
2016/0191813 A1* 6/2016 Wu H04N 5/2252
348/159
2017/0353635 A1* 12/2017 Shin H04N 7/18
2018/0241915 A1* 8/2018 Guan G03B 37/04
2019/0313001 A1* 10/2019 Kawashima G03B 17/55

* cited by examiner

FIG. 1

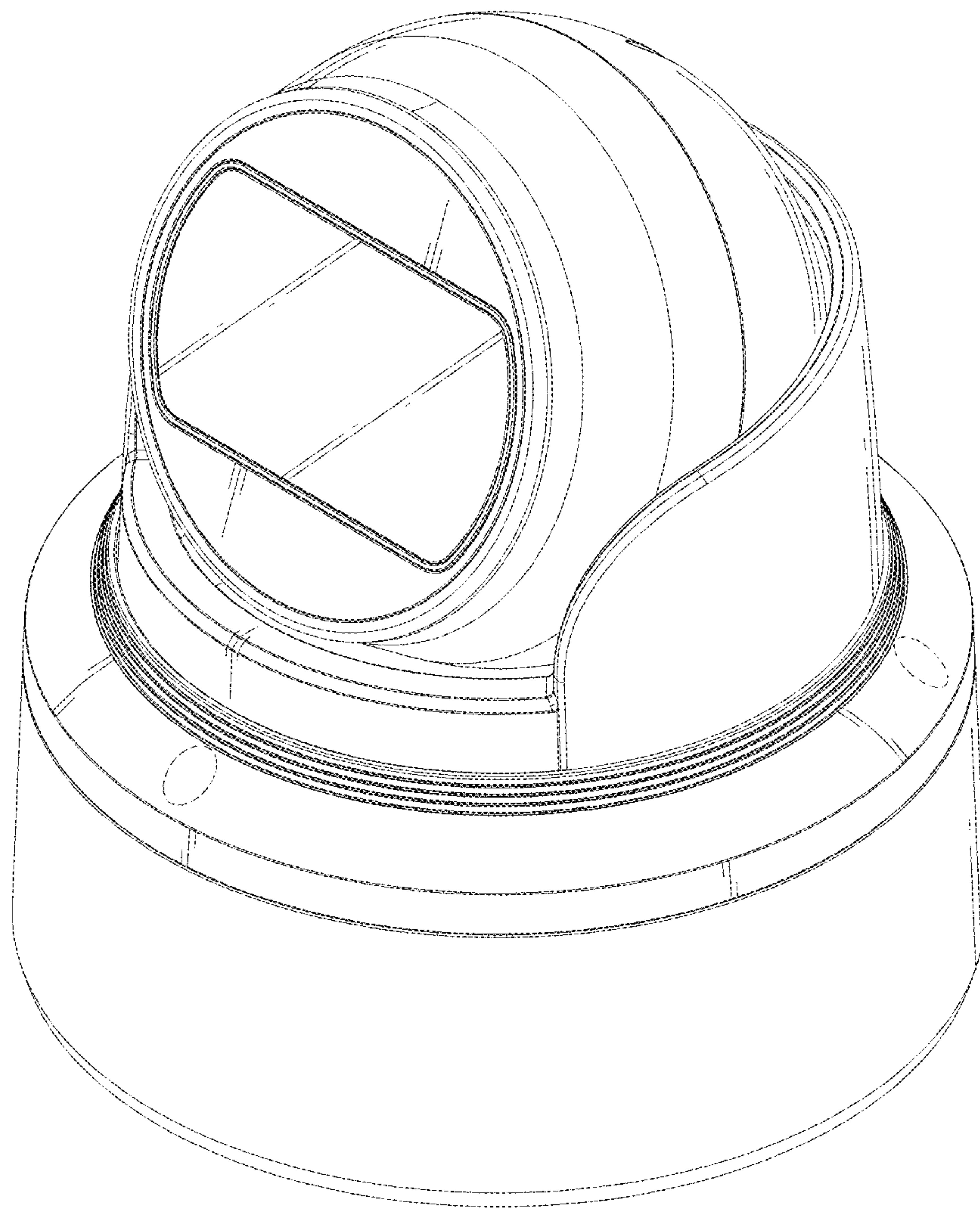


FIG. 2

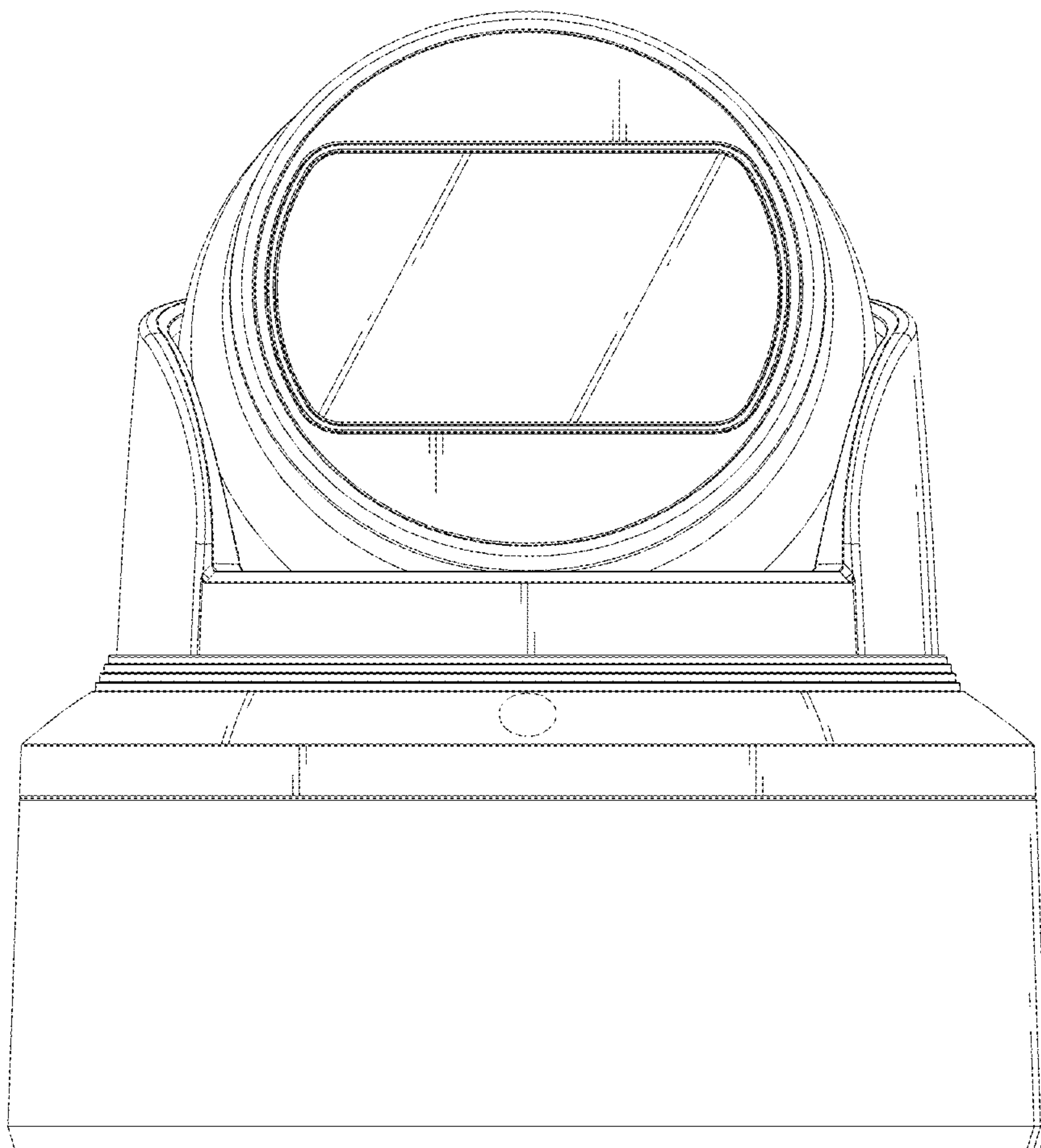


FIG. 3

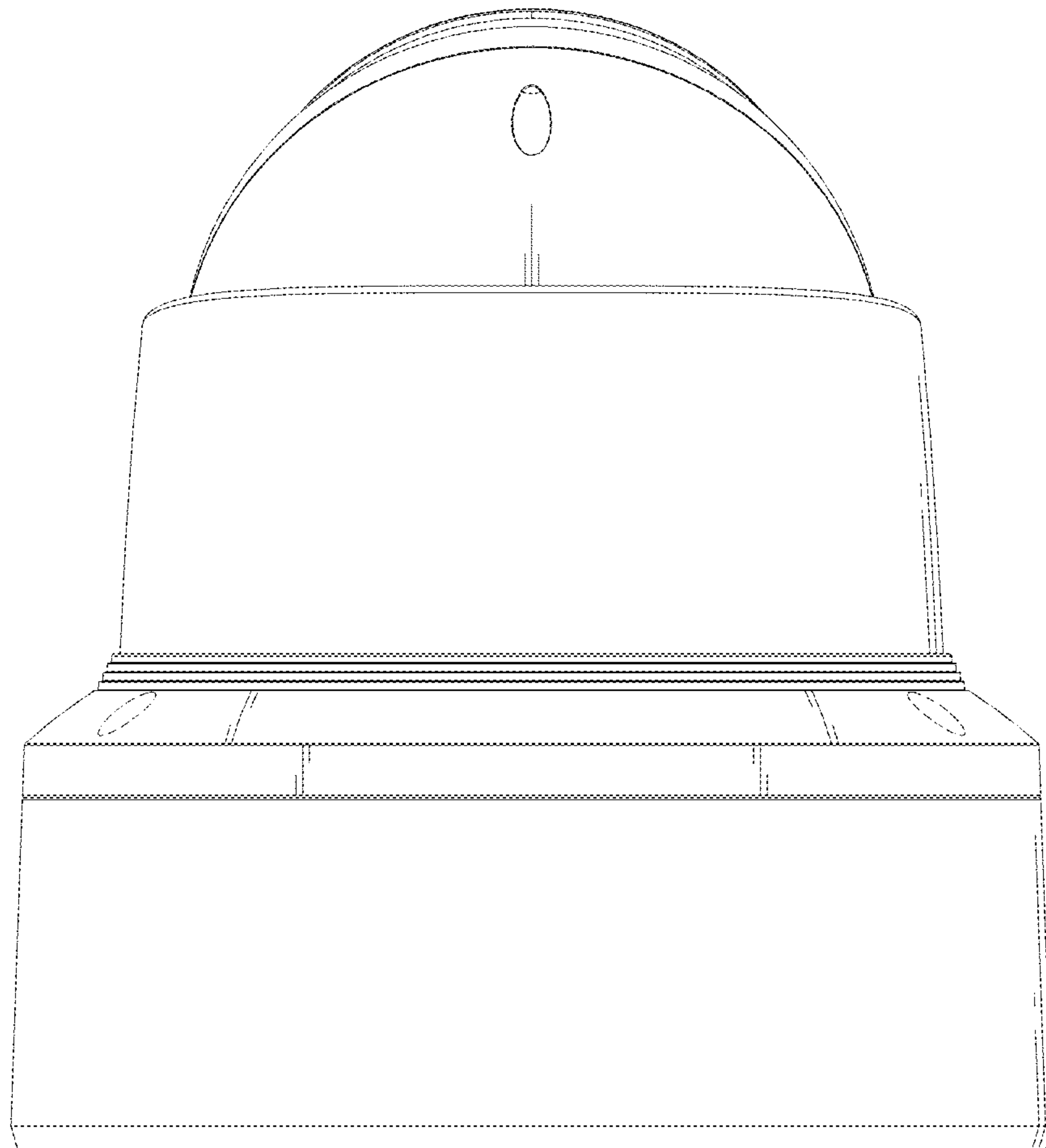


FIG. 4

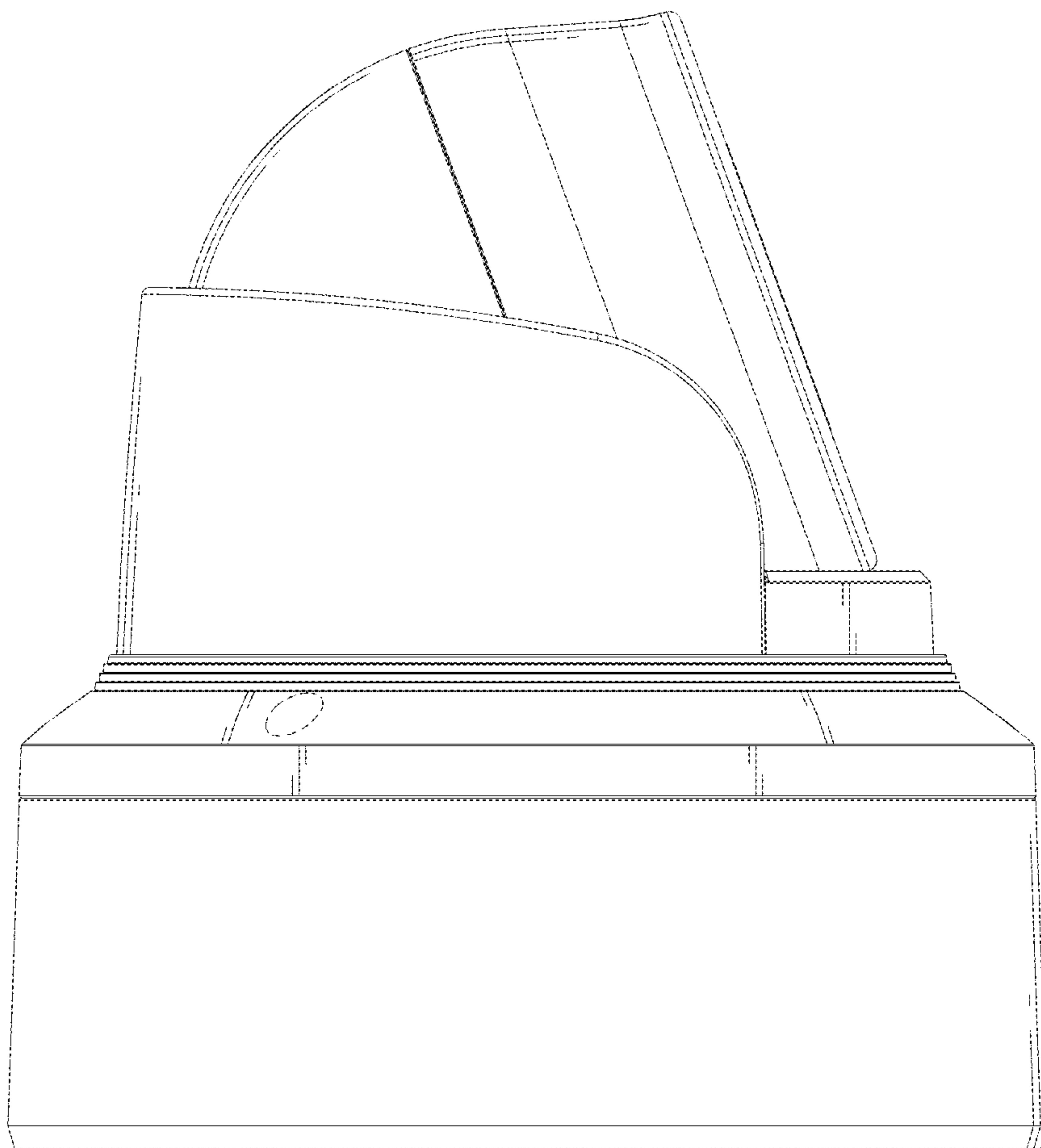


FIG. 5

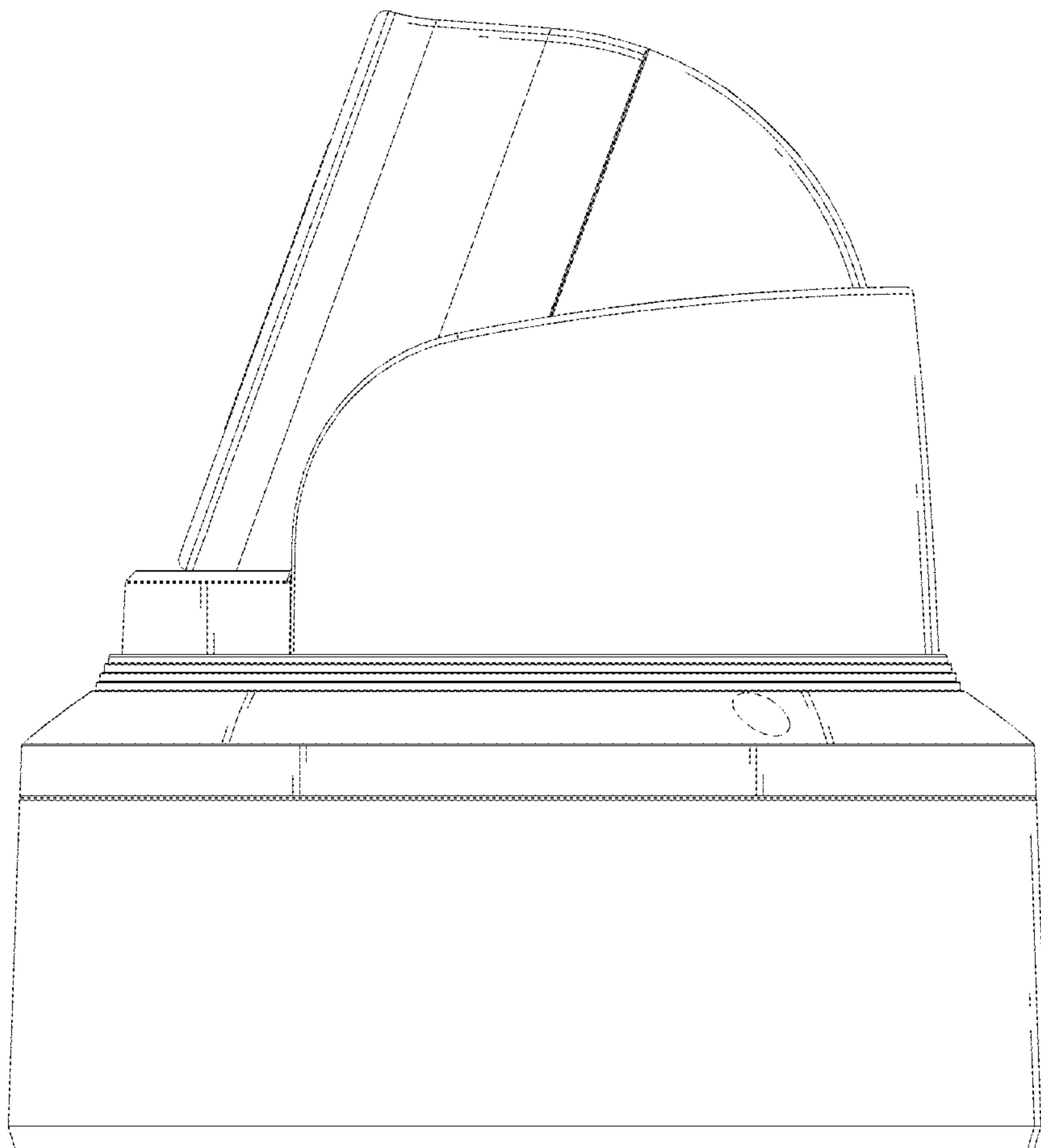


FIG. 6

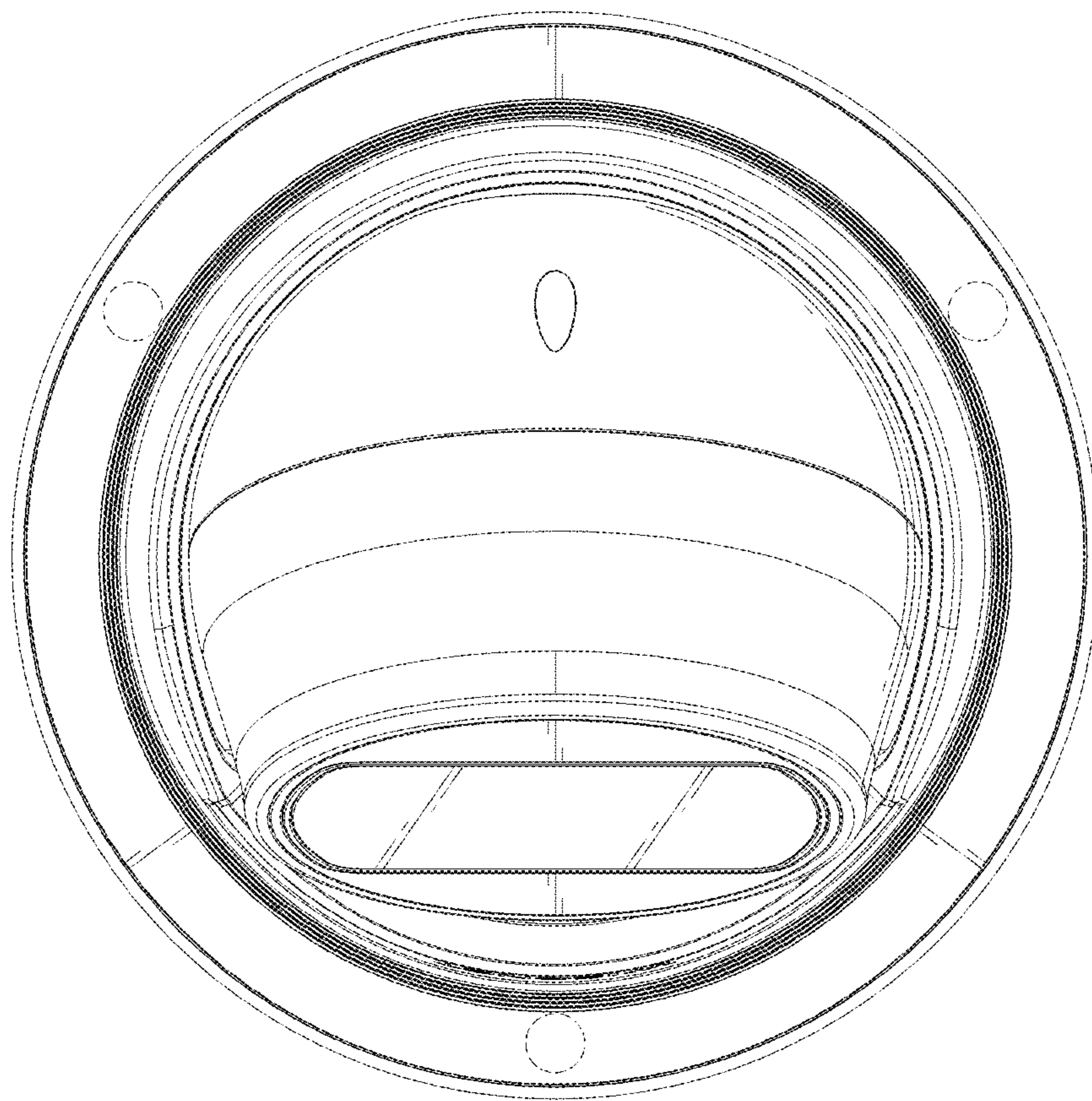


FIG. 7

