



US00D898094S

(12) **United States Design Patent** (10) **Patent No.:** **US D898,094 S**
Kwon et al. (45) **Date of Patent:** **** Oct. 6, 2020**

- (54) **LOUPE**
- (71) Applicant: **Carson Optical, Inc.**, Ronkonkoma, NY (US)
- (72) Inventors: **Peter Hyunjoon Kwon**, Alpine, NJ (US); **Isabelle Cochran**, Austin, TX (US)
- (73) Assignee: **Carson Optical, Inc.**, Ronkonkoma, NY (US)
- (**) Term: **15 Years**
- (21) Appl. No.: **29/659,606**
- (22) Filed: **Aug. 10, 2018**
- (51) **LOC (12) Cl.** **16-06**
- (52) **U.S. Cl.**
USPC **D16/135**
- (58) **Field of Classification Search**
USPC D16/130, 134, 135, 136; D10/62, 71
CPC G01B 3/04
See application file for complete search history.

D215,245 S *	9/1969	Schwab	D16/135
D494,610 S *	8/2004	Allen	D16/135
D496,059 S *	9/2004	Cameron	D16/135
D532,804 S *	11/2006	Ono	D16/135
D588,618 S *	3/2009	Janik	D16/135
D600,729 S *	9/2009	Takishima	D16/135
D617,825 S *	6/2010	Chang	D16/309
D635,286 S *	3/2011	Schussler	D26/39
D645,489 S *	9/2011	Gille	D16/135
D746,354 S *	12/2015	Chang	D16/309
D758,466 S *	6/2016	Liu	D16/135

* cited by examiner

Primary Examiner — Holly E Thurman
(74) *Attorney, Agent, or Firm* — Carmody Torrance Sandak & Hennessey LLP

(57) **CLAIM**

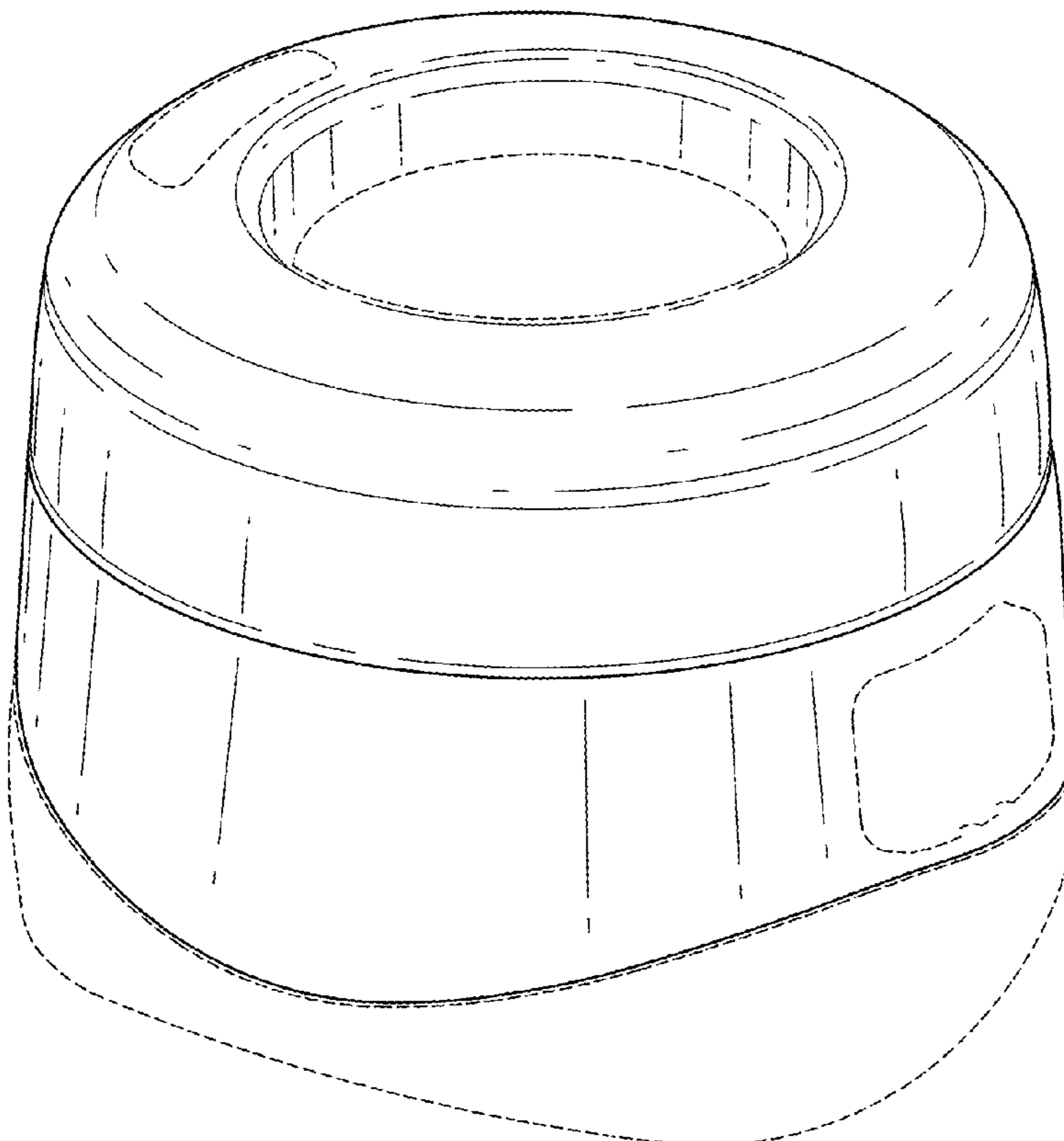
The ornamental design for a loupe, as shown and described.

DESCRIPTION

FIG. 1 is a perspective view of a loupe showing our new design;
FIG. 2 is a back elevational view thereof;
FIG. 3 is a front side elevational view thereof;
FIG. 4 is a right side elevational view thereof;
FIG. 5 is a left side elevational view thereof;
FIG. 6 is a top plan view thereof; and,
FIG. 7 is a bottom plan view thereof.
The dotted lines are intended to show features that are environmental only and form no part of the claimed design.

1 Claim, 7 Drawing Sheets

- (56) **References Cited**
U.S. PATENT DOCUMENTS
D166,597 S * 4/1952 Filsinger D16/135
2,905,054 A * 9/1959 Logan G02B 25/008
359/819
D190,885 S * 7/1961 Welham D16/131



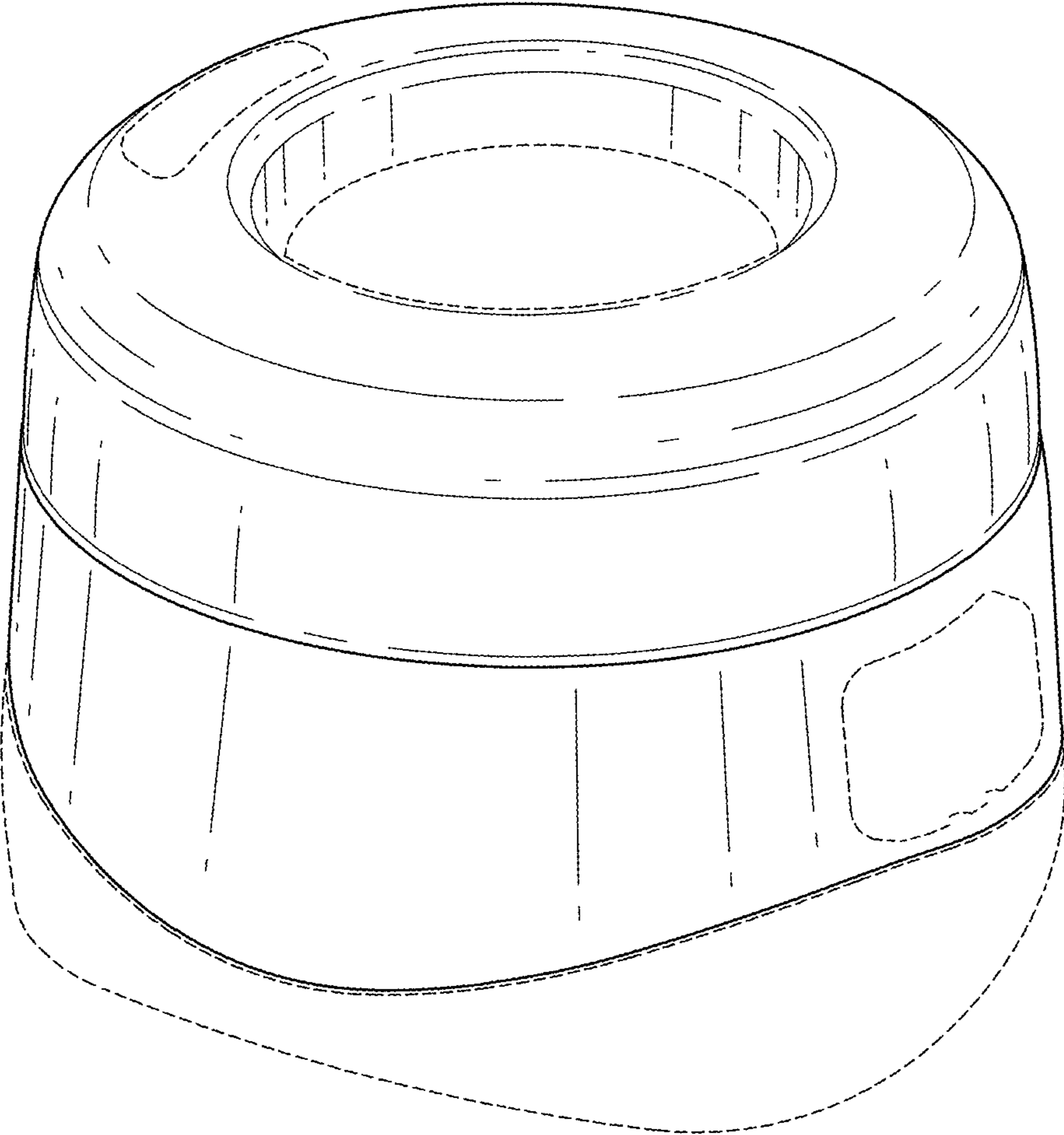


FIG. 1

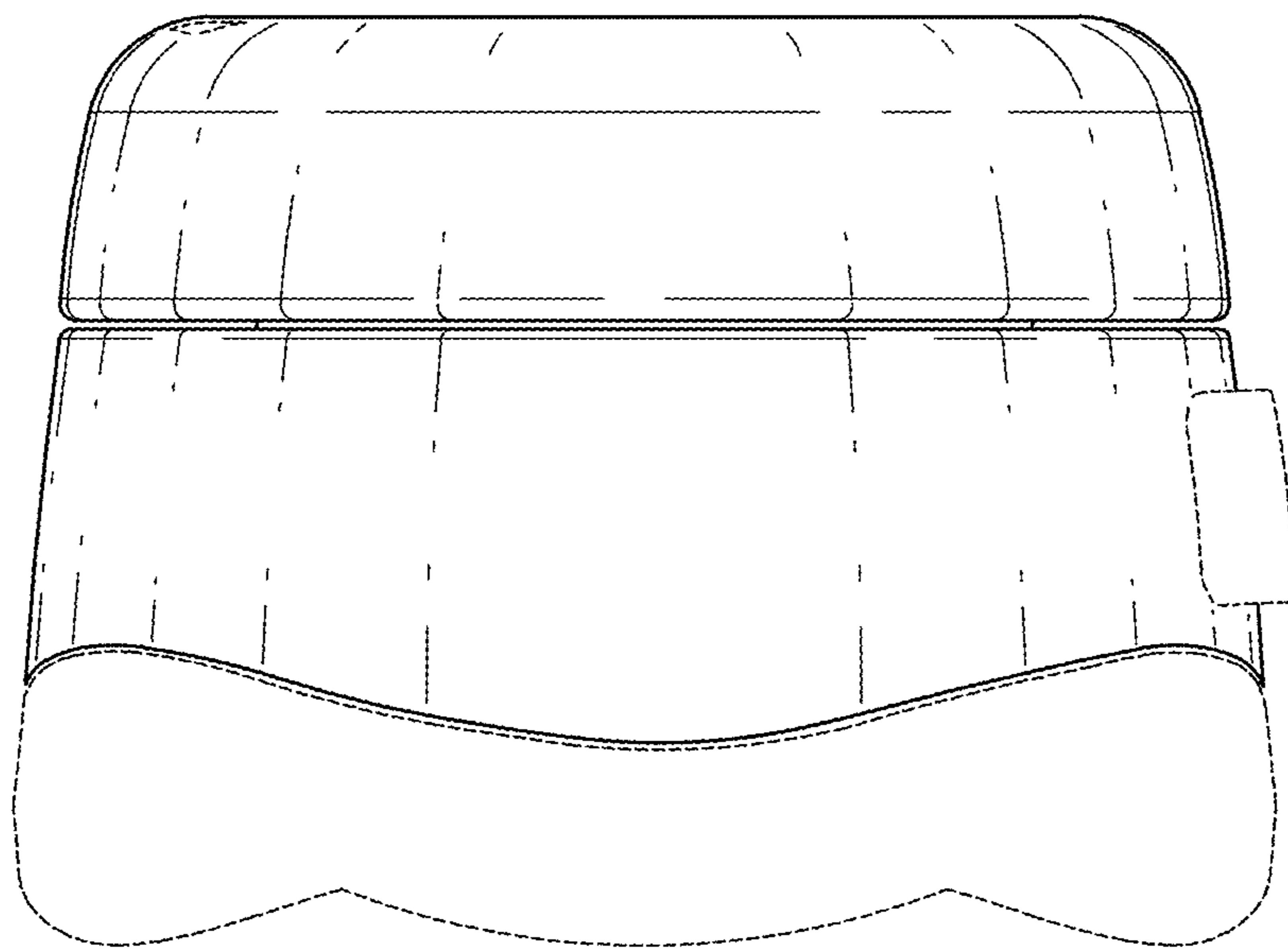


FIG. 2

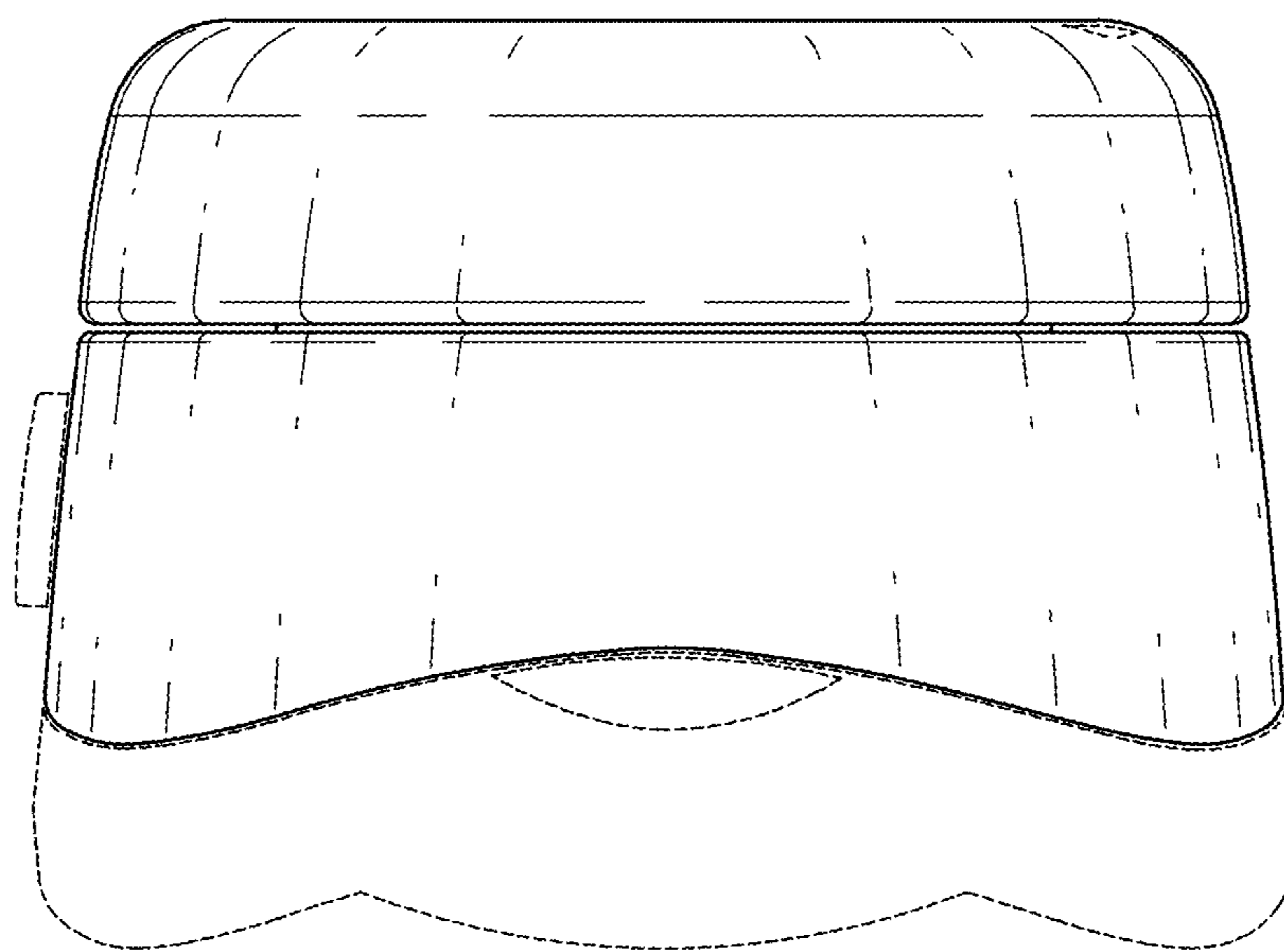


FIG. 3

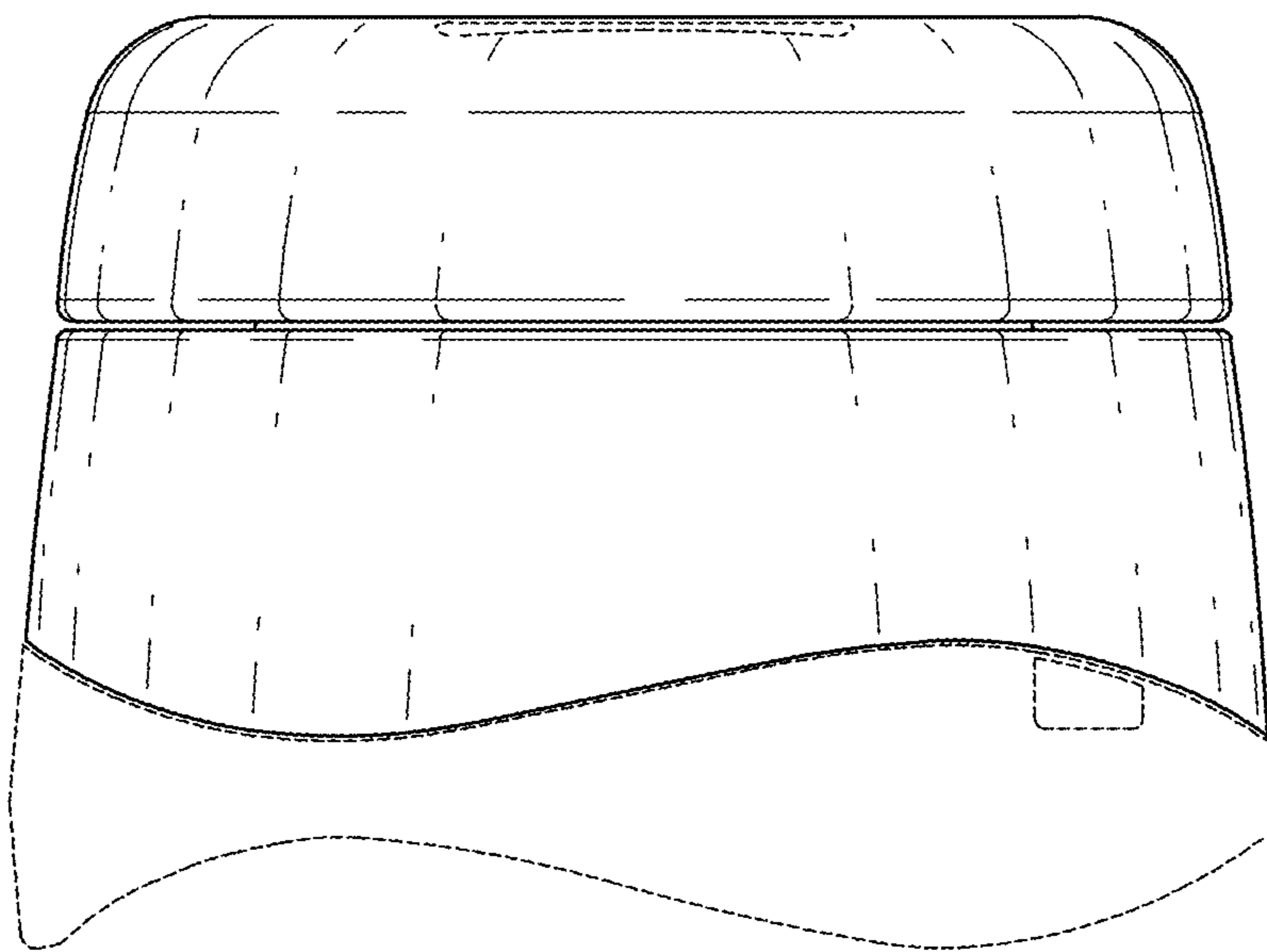


FIG. 4

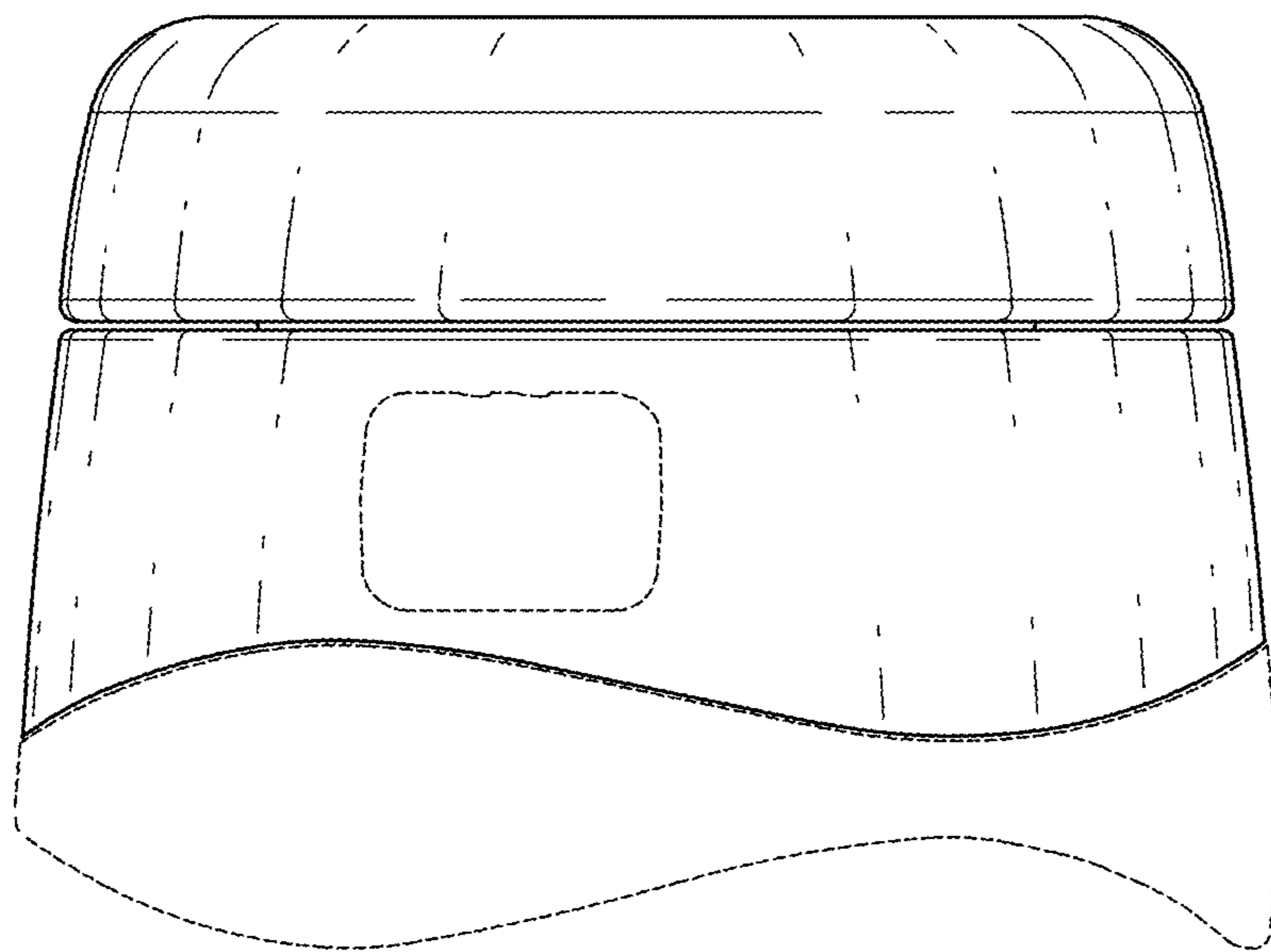


FIG. 5

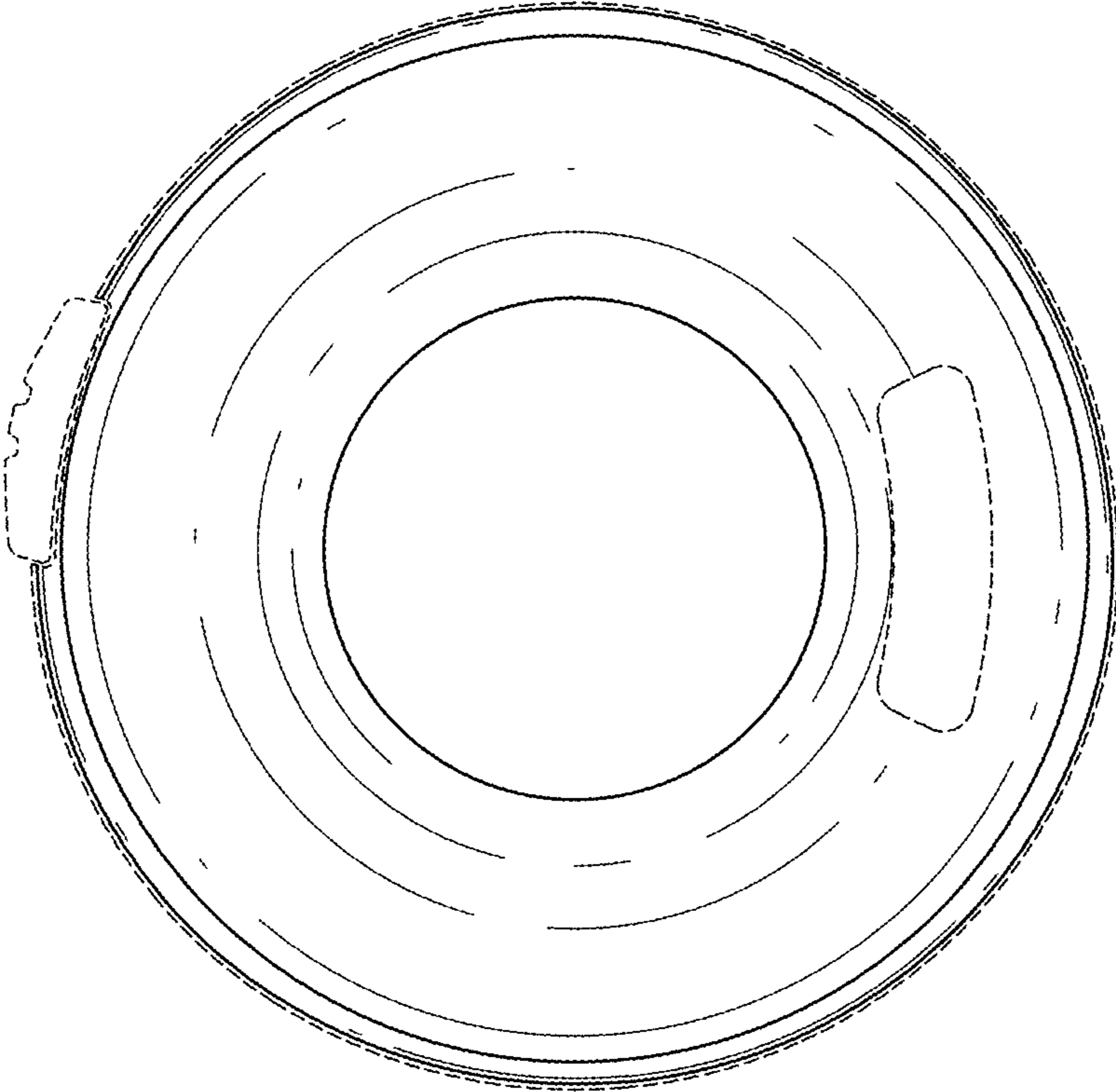


FIG. 6

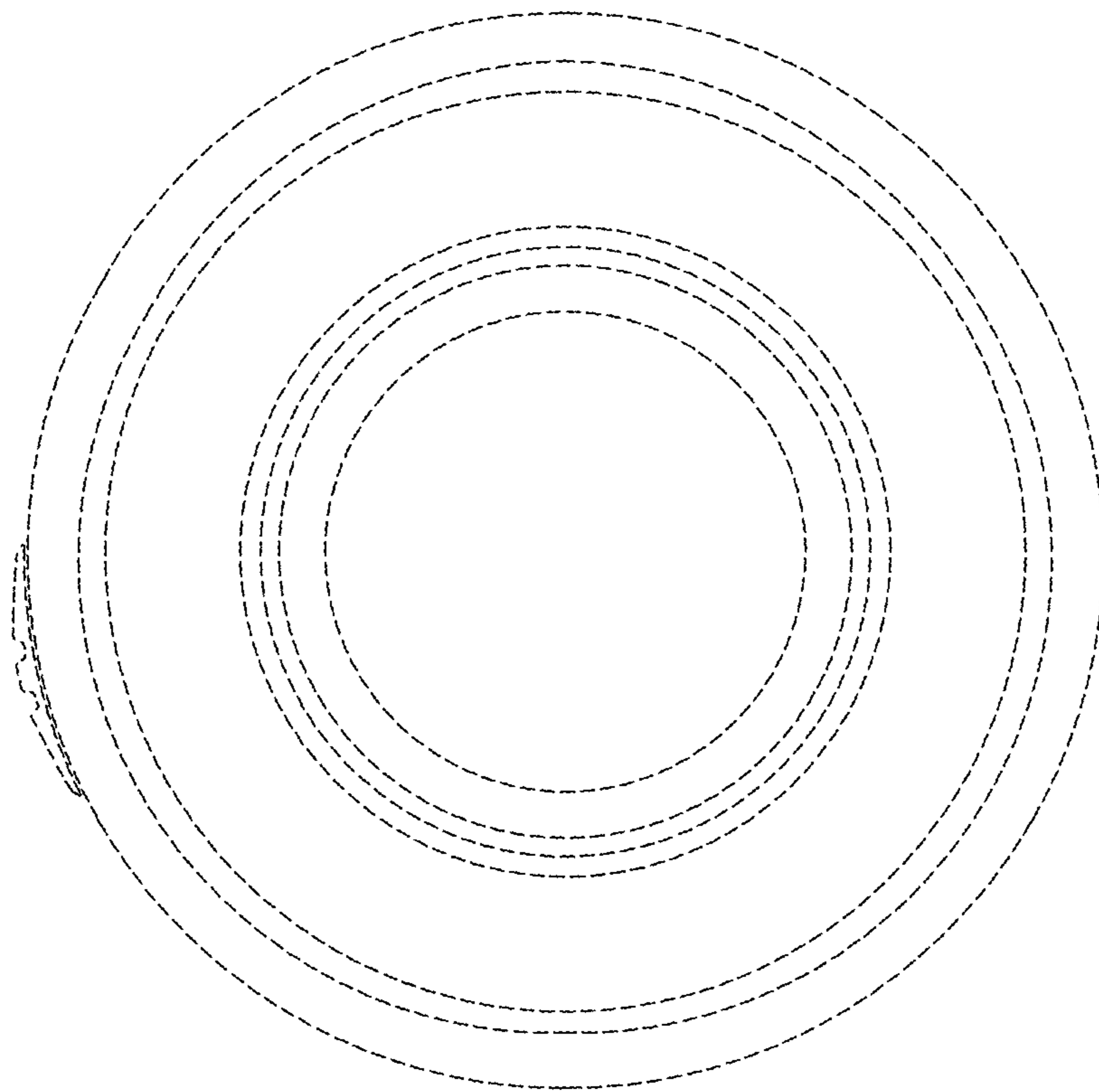


FIG. 7