



US00D898093S

(12) **United States Design Patent** (10) **Patent No.:** **US D898,093 S**  
**Wilson et al.** (45) **Date of Patent:** **\*\* Oct. 6, 2020**

(54) **LENS INSERT FOR GLASSES**  
(71) Applicants: **Ken Wilson**, Yuma, AZ (US); **Rich Belitz**, San Diego, CA (US)  
(72) Inventors: **Ken Wilson**, Yuma, AZ (US); **Rich Belitz**, San Diego, CA (US)  
(\*\*) Term: **15 Years**  
(21) Appl. No.: **29/648,298**  
(22) Filed: **May 20, 2018**  
(51) **LOC (12) Cl.** ..... **16-06**  
(52) **U.S. Cl.**  
USPC ..... **D16/101**  
(58) **Field of Classification Search**  
USPC ..... D16/101, 300-342, 900; D29/109-110; D21/483, 659-661; D14/372; 351/41, 351/44, 45-48, 51-52, 62, 158, 92, 351/103-123, 140-153, 63, 59; 2/13, 15, 2/426-432, 447-449, 441, 434-437  
CPC ..... G02C 2200/08; G02C 1/06; G02C 5/14; G02C 11/02; G02C 11/04; G02C 5/16; G02C 2200/22; G02C 5/146; G02C 5/2254; G02C 5/008; G01C 5/16; A61M 2021/0044; A63B 33/002  
See application file for complete search history.

(56) **References Cited**  
U.S. PATENT DOCUMENTS  
D596,662 S \* 7/2009 Gonzalez ..... D16/323  
D632,721 S \* 2/2011 Chou ..... D16/326  
8,020,988 B2 \* 9/2011 Ogren ..... G02C 5/16  
16/228  
D646,316 S \* 10/2011 Zhao ..... D16/309  
D647,947 S \* 11/2011 Yu ..... D16/309  
D674,836 S \* 1/2013 Chen ..... D16/326  
D676,479 S \* 2/2013 Yoo ..... D16/326  
D697,963 S \* 1/2014 Earley ..... D16/326

D706,861 S \* 6/2014 Hou ..... D16/326  
D723,610 S \* 3/2015 Chen ..... D16/300  
D746,363 S \* 12/2015 Chen ..... D16/311  
D746,364 S \* 12/2015 Chen ..... D16/311  
D748,720 S \* 2/2016 Lee ..... D16/326  
D757,156 S \* 5/2016 Wu ..... D16/315  
D759,150 S \* 6/2016 Lin ..... D16/315  
D774,121 S \* 12/2016 Earley ..... D16/101  
D777,829 S \* 1/2017 Chen ..... D16/326  
D811,468 S \* 2/2018 Yang ..... D16/315  
D824,450 S \* 7/2018 Samo ..... D16/325  
D849,128 S \* 5/2019 Chou ..... D16/326  
D849,822 S \* 5/2019 Marron ..... D16/309  
D862,572 S \* 10/2019 Lin ..... D16/321

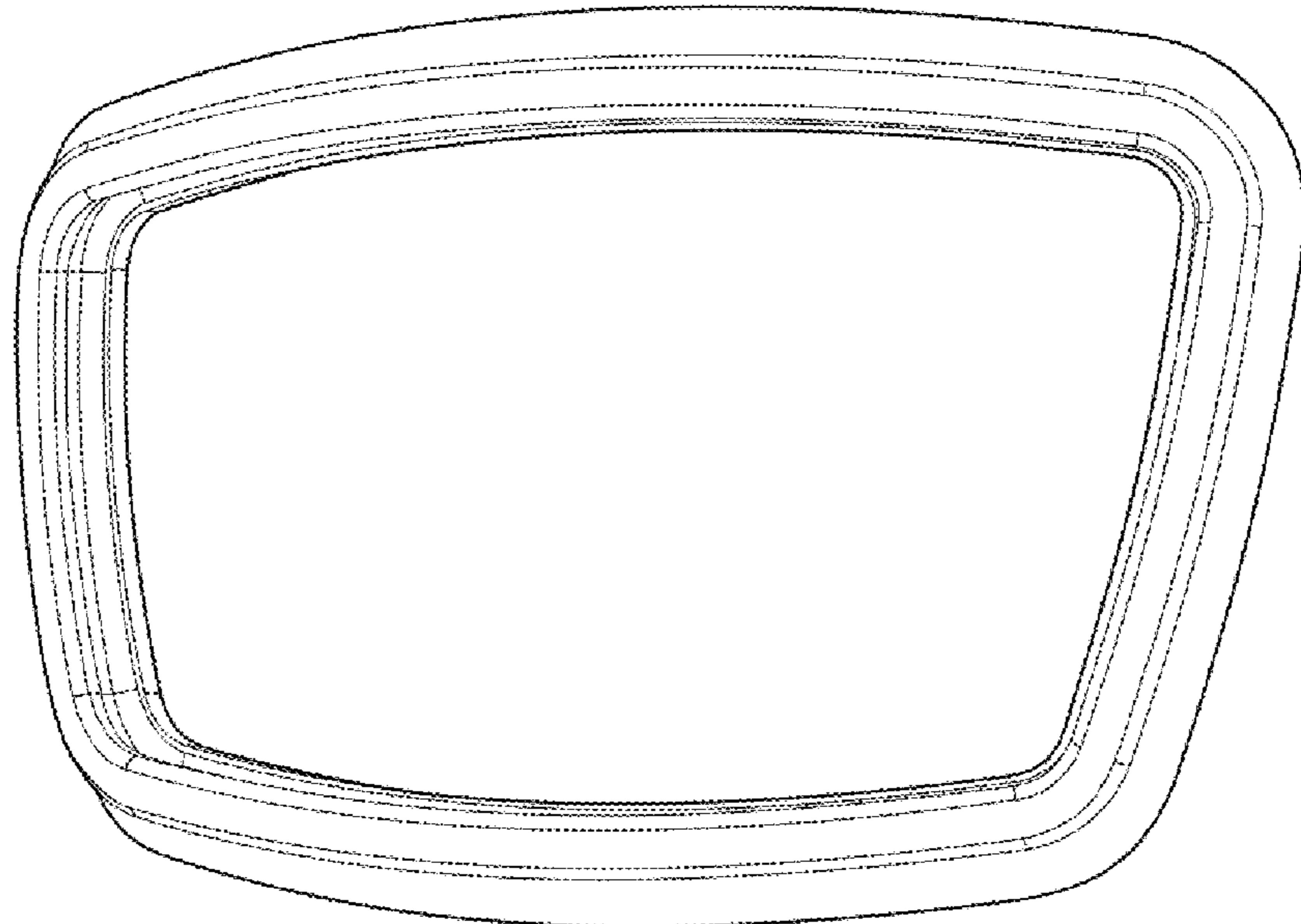
(Continued)

*Primary Examiner* — Sanjeev Paul  
(74) *Attorney, Agent, or Firm* — Donn K. Harms

(57) **CLAIM**  
The ornamental design for a lens insert for glasses, as shown and described.

**DESCRIPTION**  
FIG. 1 shows a right-side view of a lens insert for glasses; FIG. 2 shows a front view of the lens insert for glasses; FIG. 3 shows a left-side view of the lens insert for glasses; FIG. 4 shows a perspective view of the lens insert for glasses taken from a left-rear perspective; FIG. 5 shows a rear view of the lens insert for glasses; FIG. 6 shows a perspective view of the lens insert for glasses taken from a right-rear perspective; FIG. 7 shows a top view of the lens insert for glasses; FIG. 8 shows a bottom view of the lens insert for glasses; FIG. 9 shows a front view of the lens insert for glasses with detail of a section 9-9 plane; FIG. 10 shows a perspective view of the lens insert for glasses with respect to section 9-9 when taken from a right-side perspective; and, FIG. 11 shows a scaled view of a portion of FIG. 10.

**1 Claim, 3 Drawing Sheets**



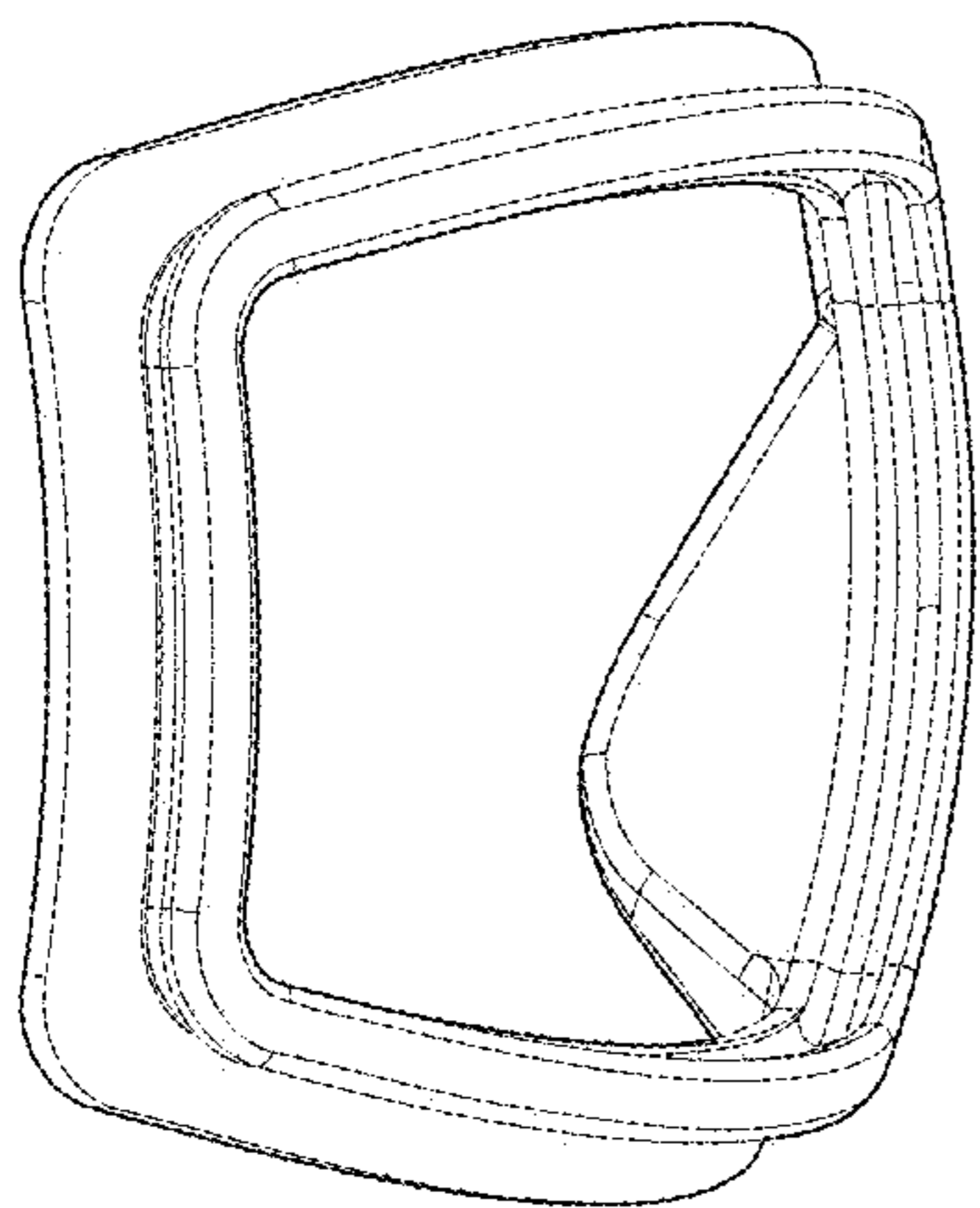
(56)

**References Cited**

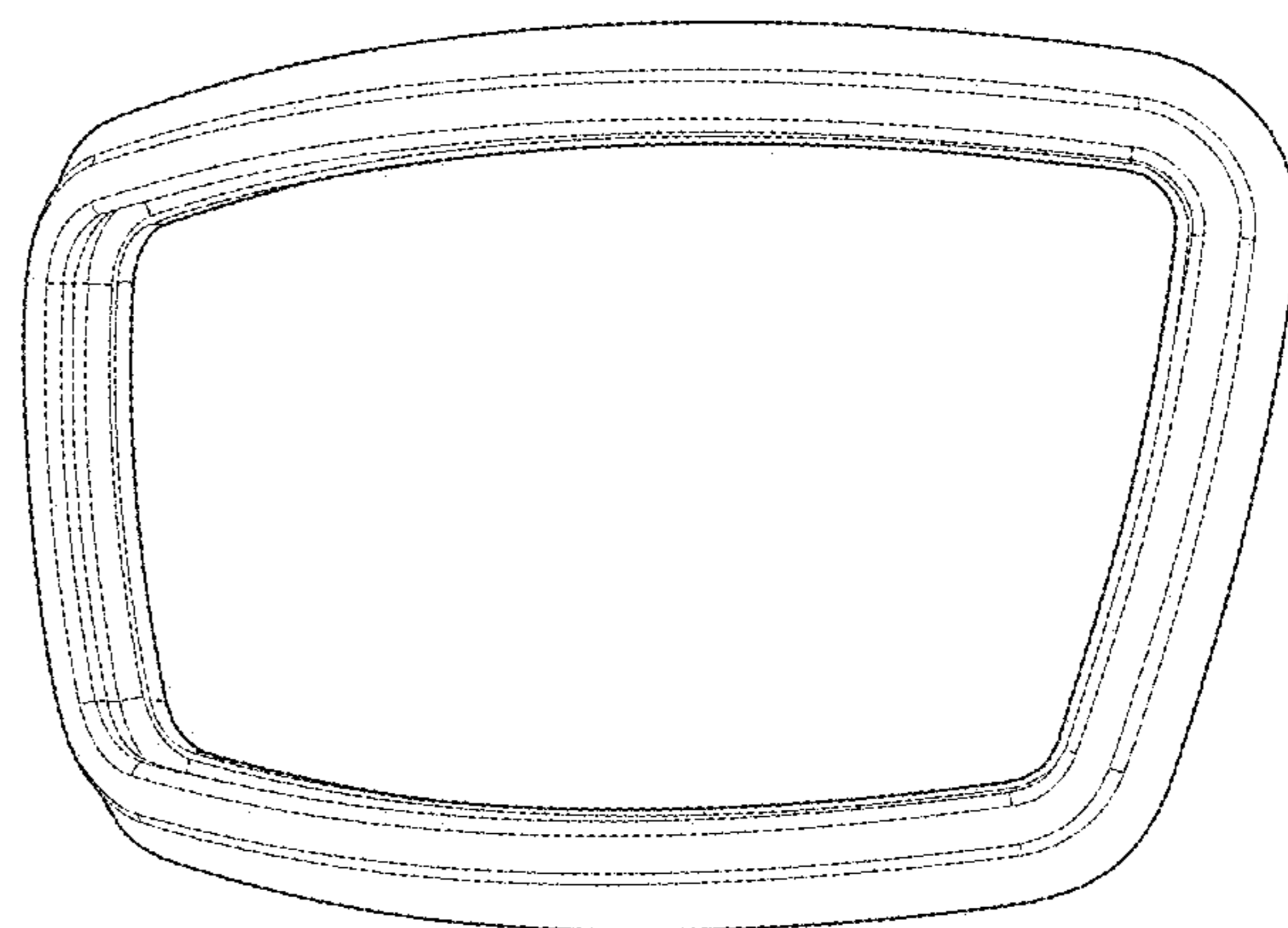
U.S. PATENT DOCUMENTS

2015/0343292 A1\* 12/2015 Leech ..... A63B 69/36  
473/407  
2019/0235269 A1\* 8/2019 Wilson ..... G02C 1/06

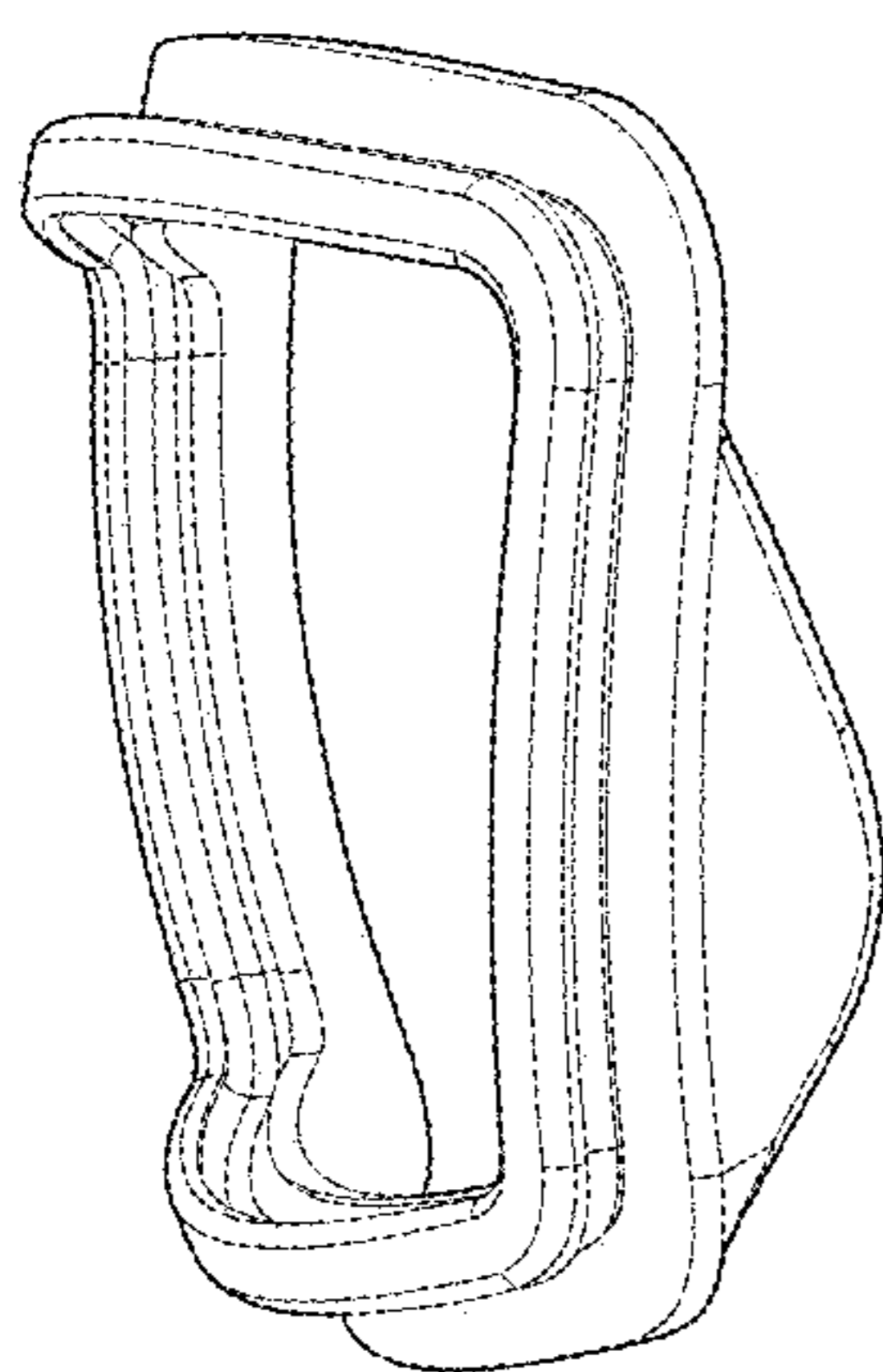
\* cited by examiner



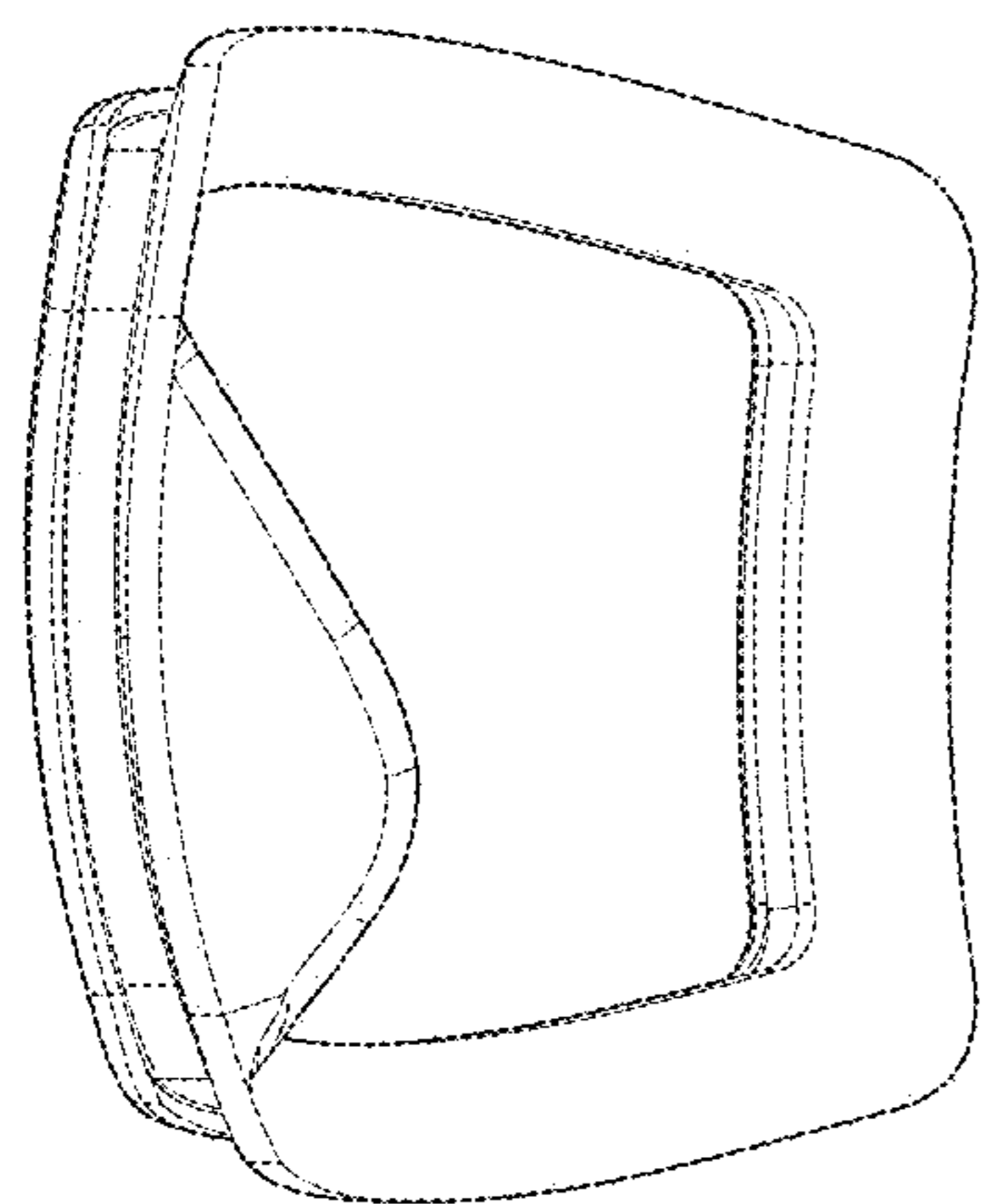
*FIG. 1*



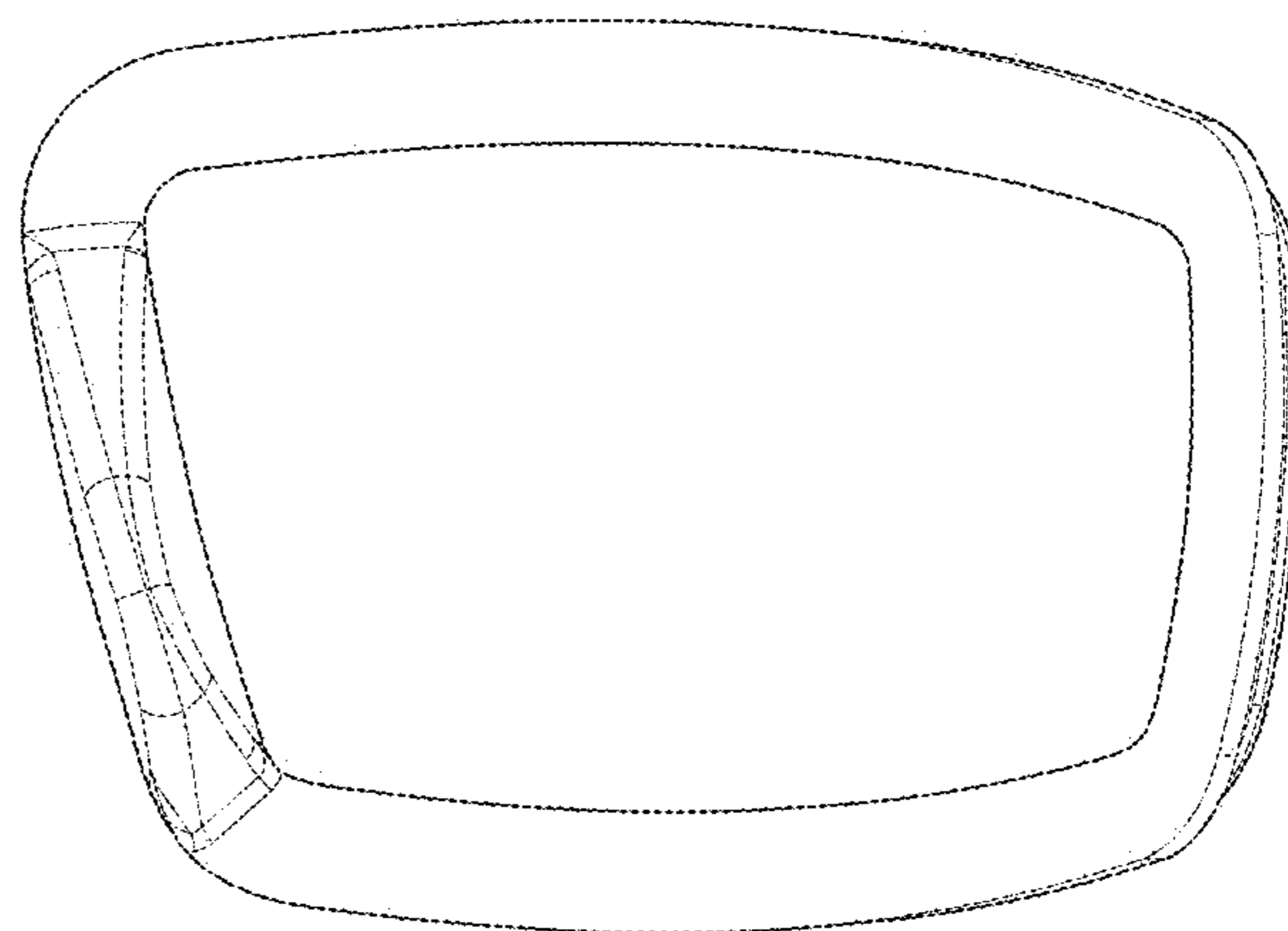
*FIG. 2*



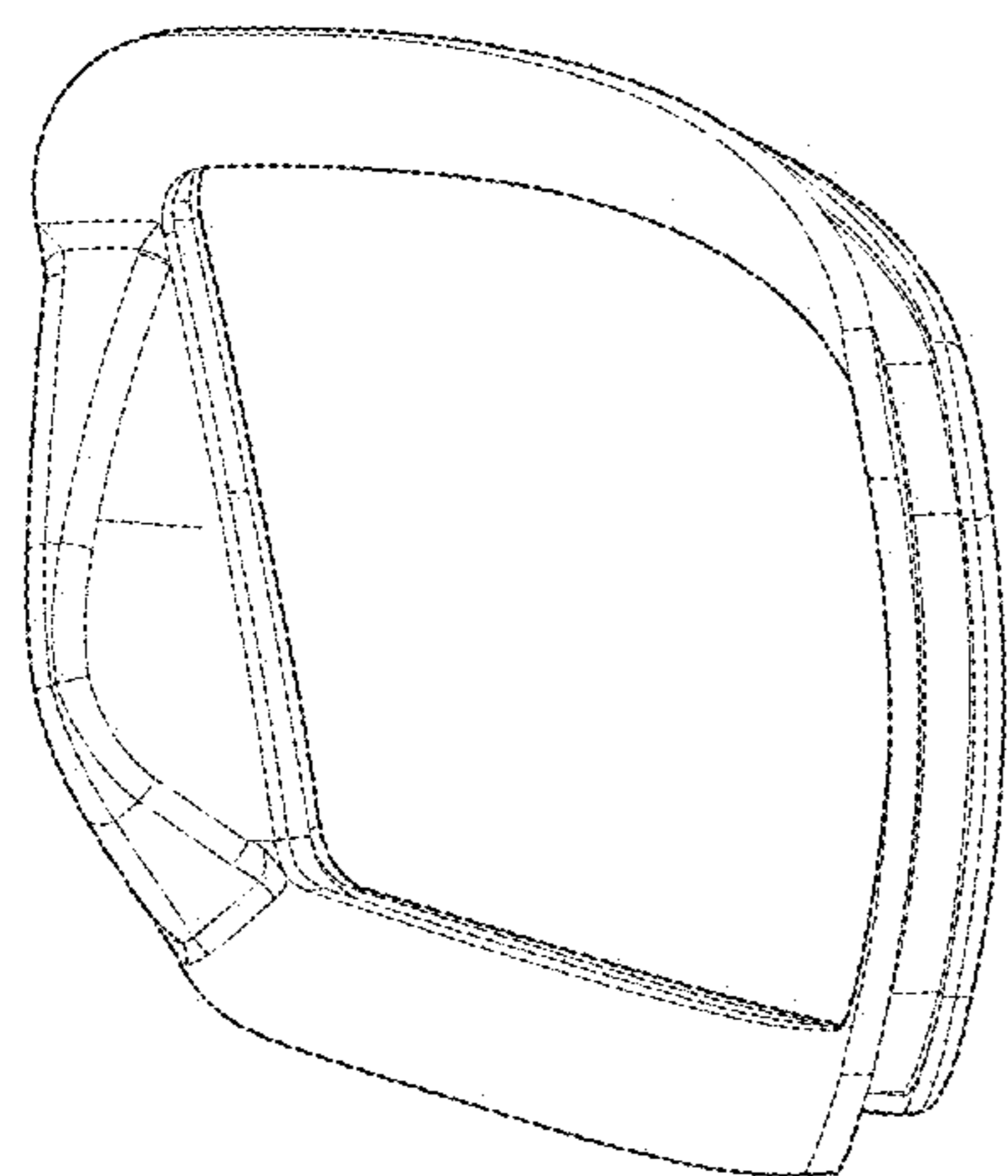
*FIG. 3*



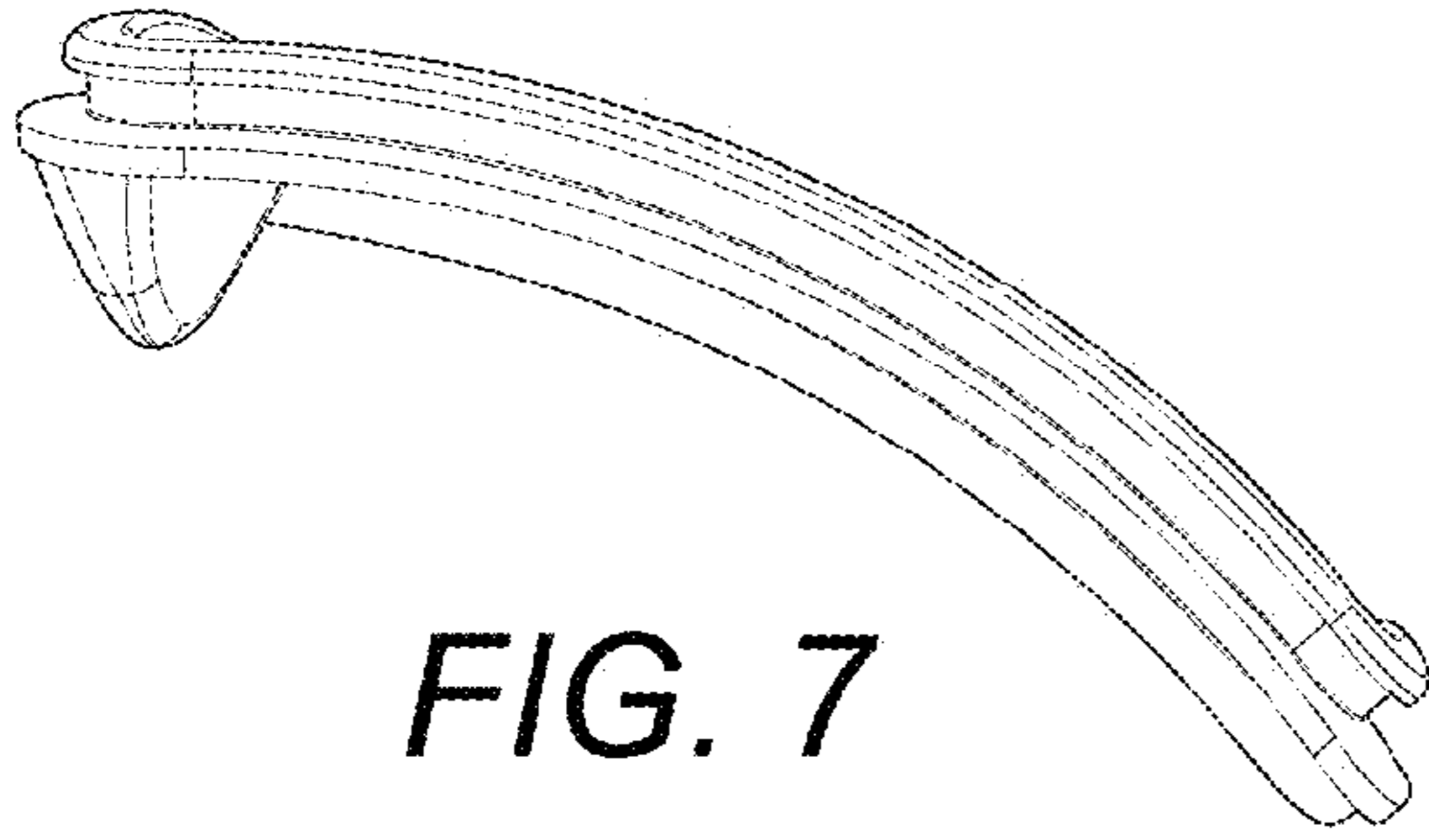
**FIG. 4**



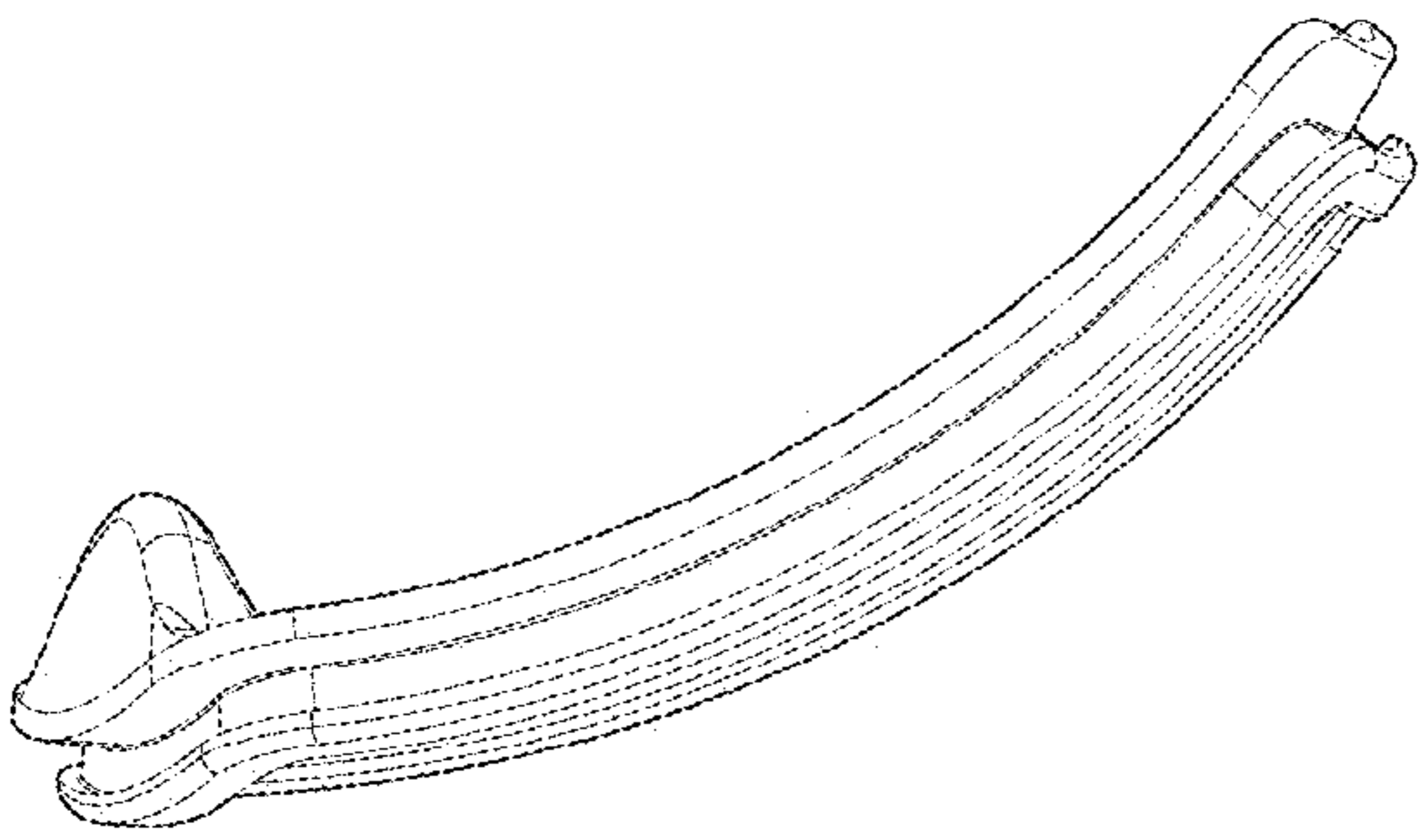
**FIG. 5**



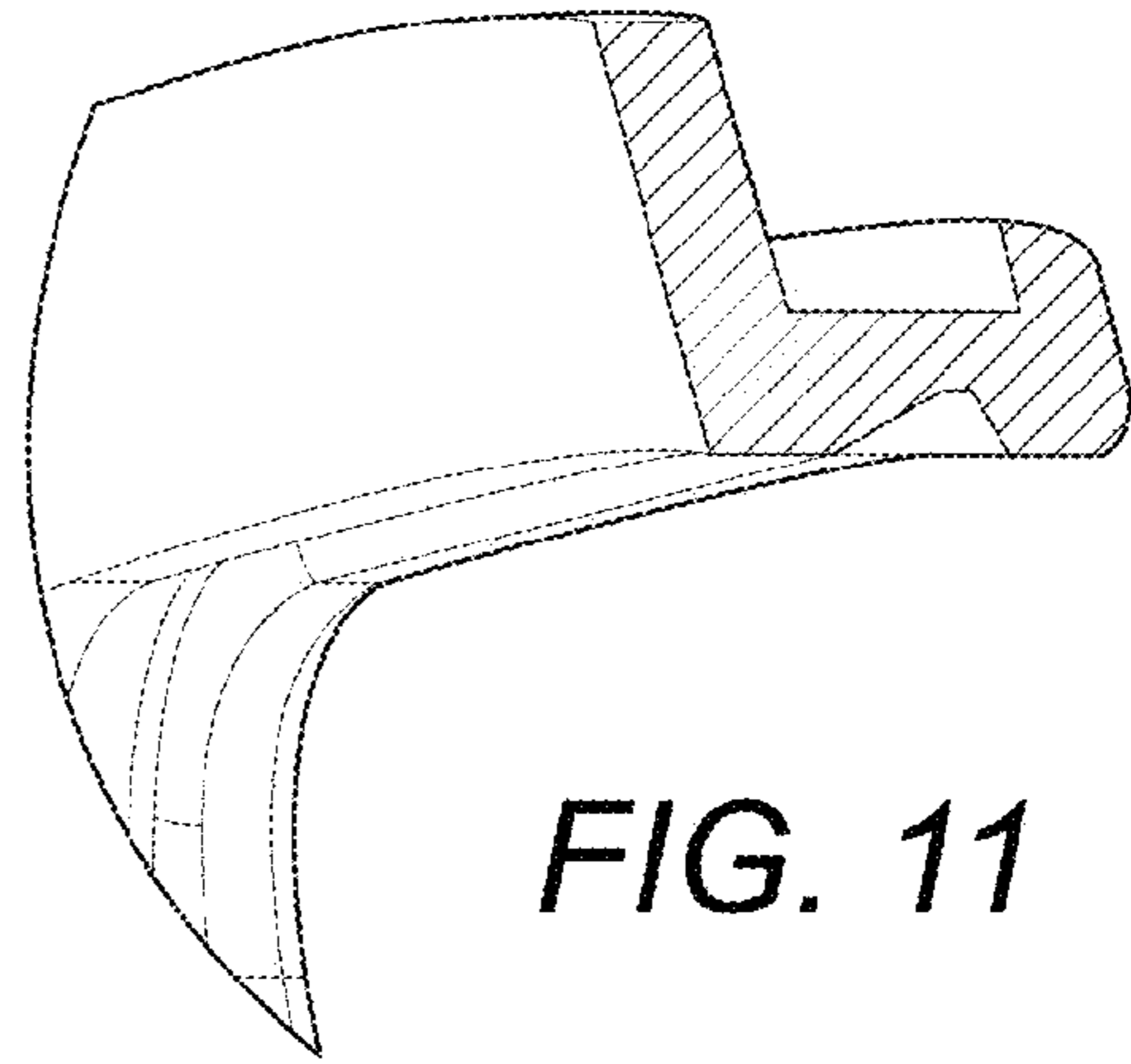
**FIG. 6**



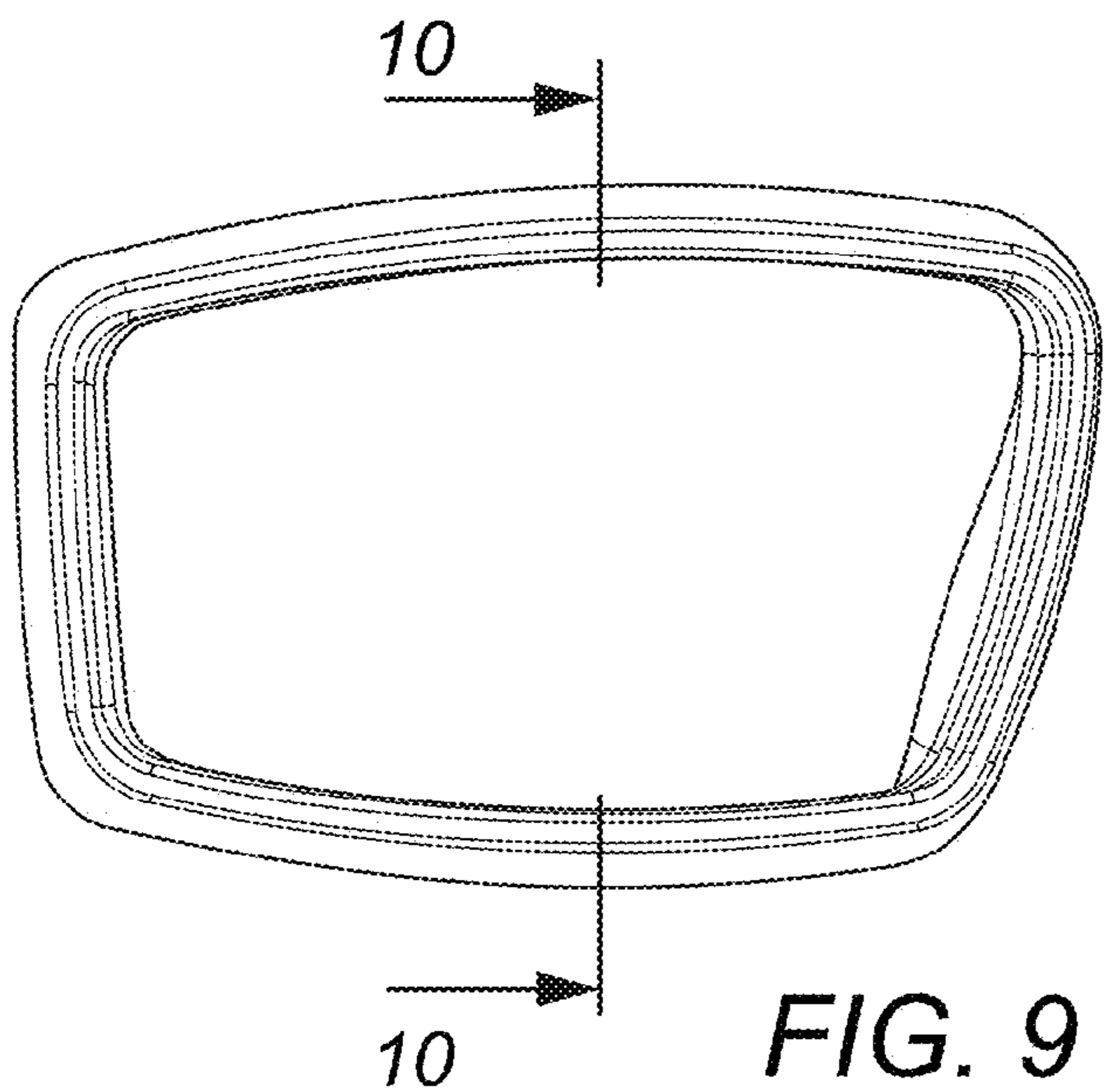
**FIG. 7**



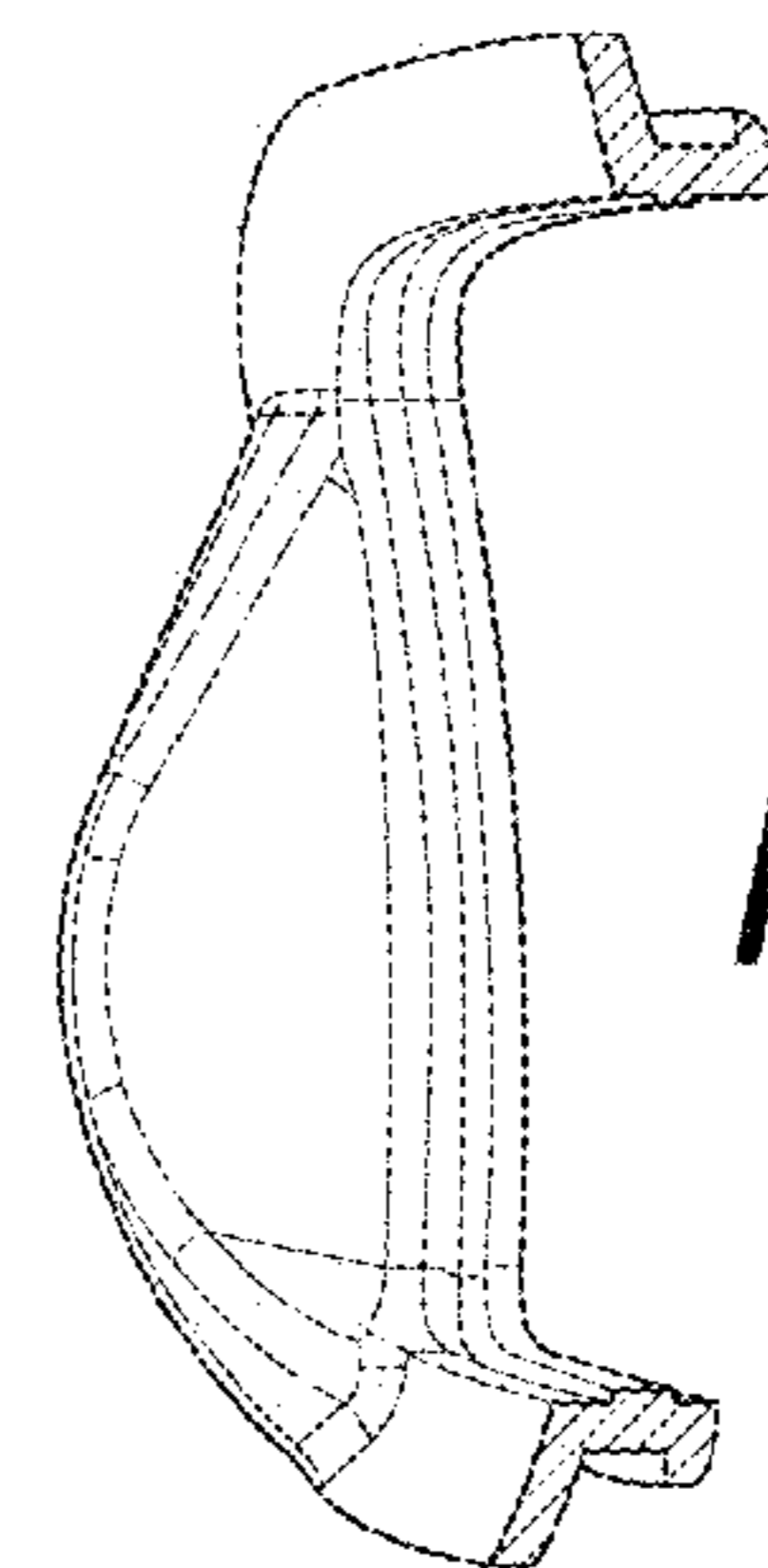
**FIG. 8**



**FIG. 11**



**FIG. 9**



**FIG. 10**